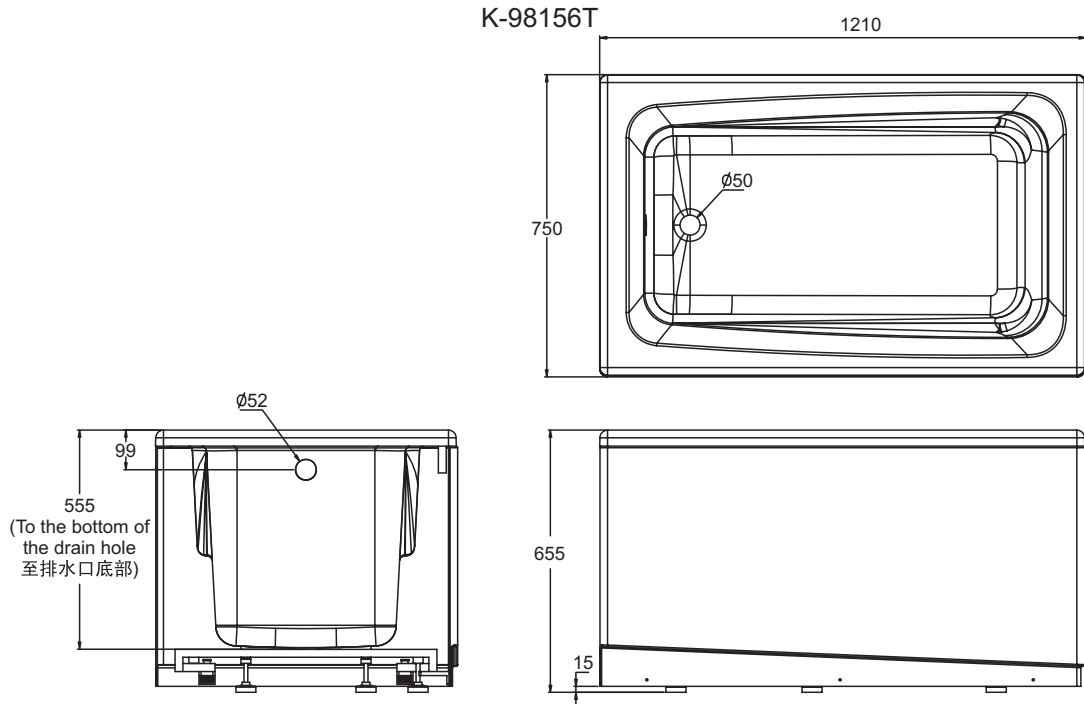


## 迪素整体化亚克力浴缸（含裙边/去水） DEEP SOAK INTEGRATED ACRYLIC BATH (WITH APRON/DRAIN)

### K-98156T/K-98157T/K-98158T/K-98159T

产品尺寸图 ROUGHING-IN (单位: 毫米) (Unit:mm)

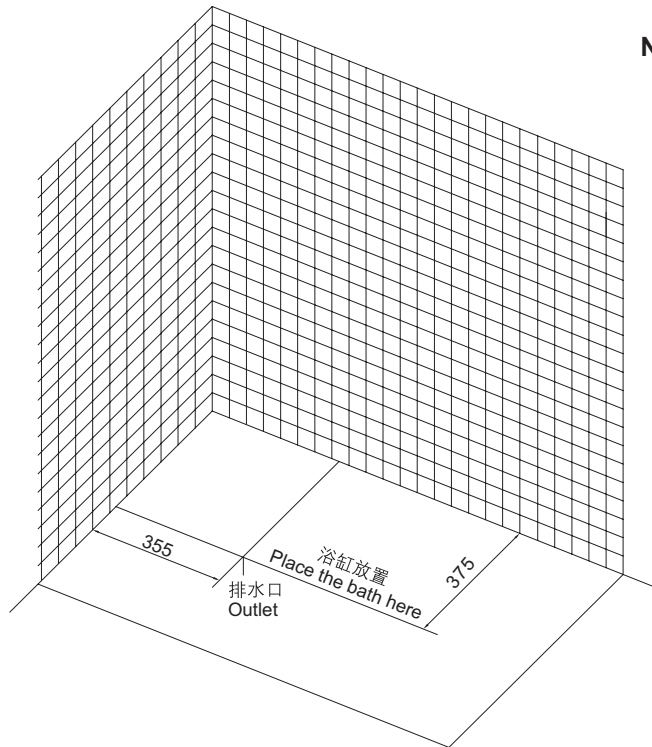


备注: K-98156T 左角位, 不含龙头

K-98158T 左角位, 含龙头

**NOTE:** K-98156T LH corner, without faucet

K-98158T LH corner, with faucet

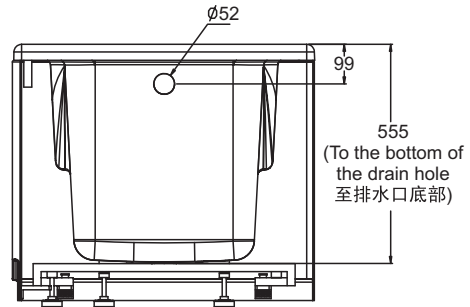
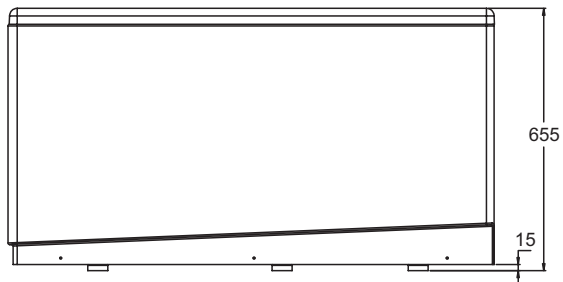
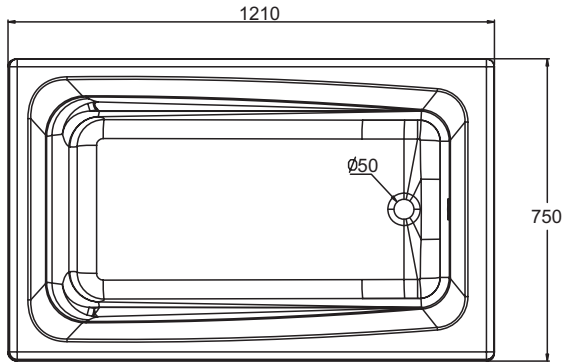


K-98156T 立体安装尺寸图  
Three-dimension installation roughing-in

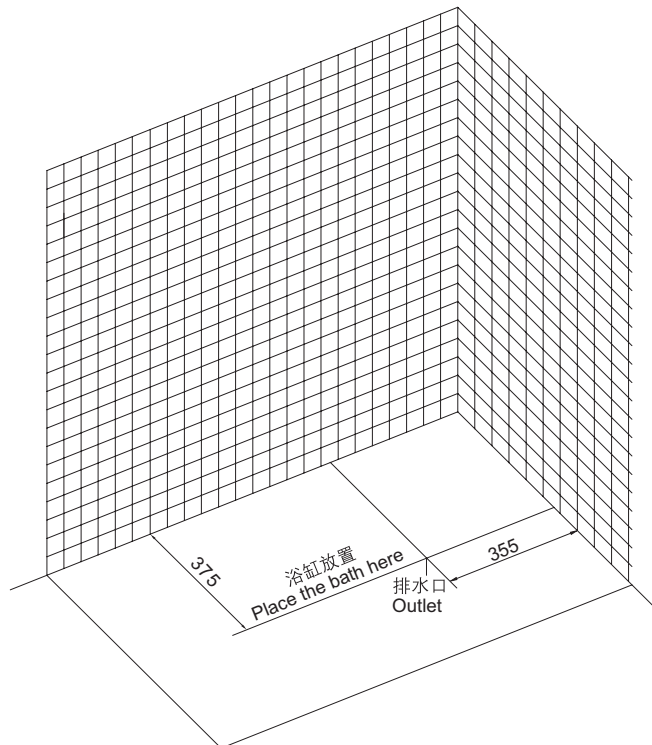
排水口应位于以图示排水口为中心,  
半径为250mm的范围内

The actual outlet should be located in  
the area centering the shown outlet and  
extending with the radius 250mm

K-98157T



备注: K-98157T 右角位, 不含龙头  
 K-98159T 右角位, 含龙头  
**NOTE:** K-98157T RH corner, without faucet  
 K-98159T RH corner, with faucet



K-98157T 立体安装尺寸图  
 Three-dimension installation roughing-in

排水口应位于以图示排水口为中心, 半径为250mm的范围内  
 The actual outlet should be located in the area centering the shown outlet and extending with the radius 250mm

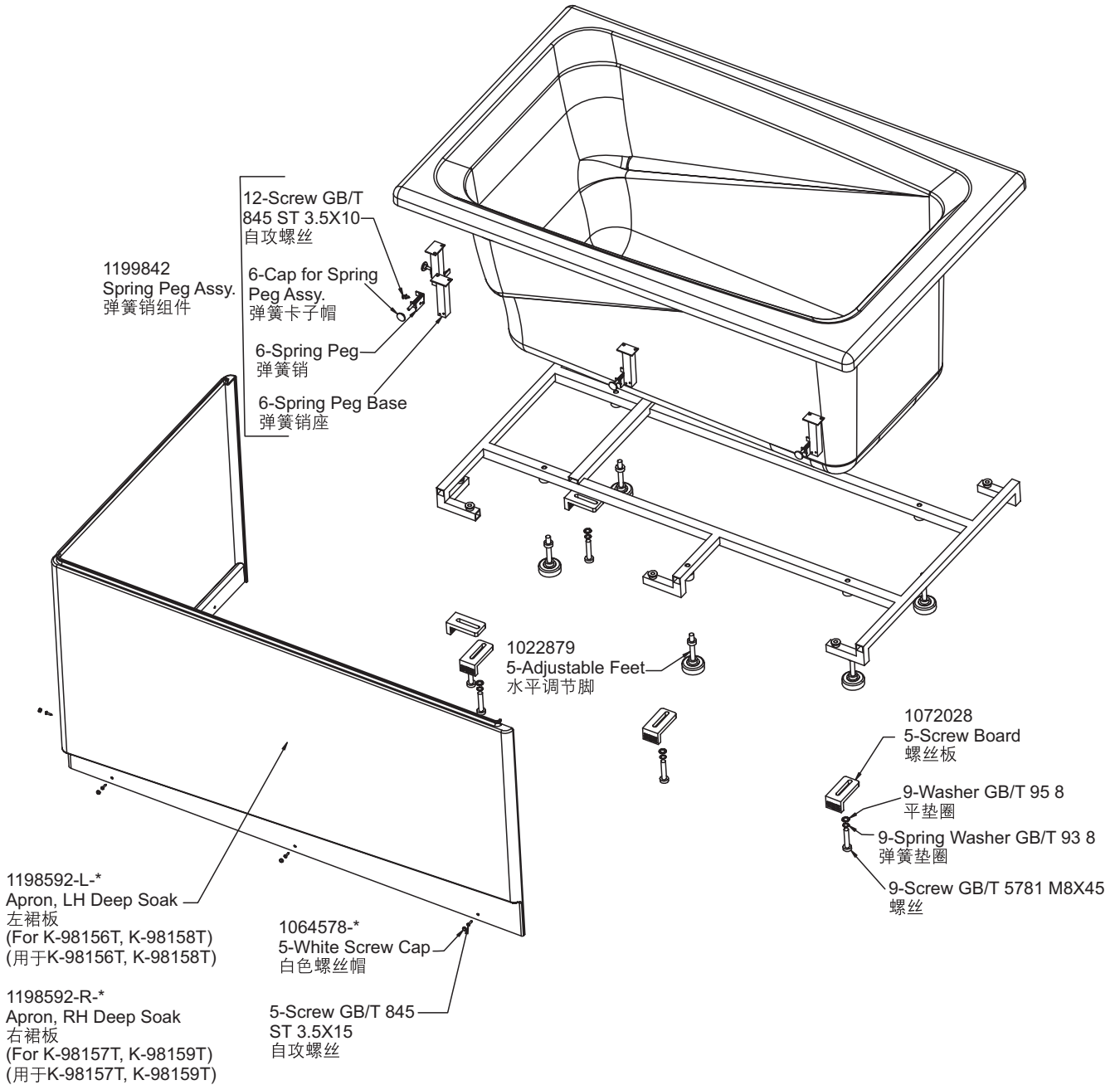
## 产品信息 PRODUCT INFORMATION

### B. Product Information

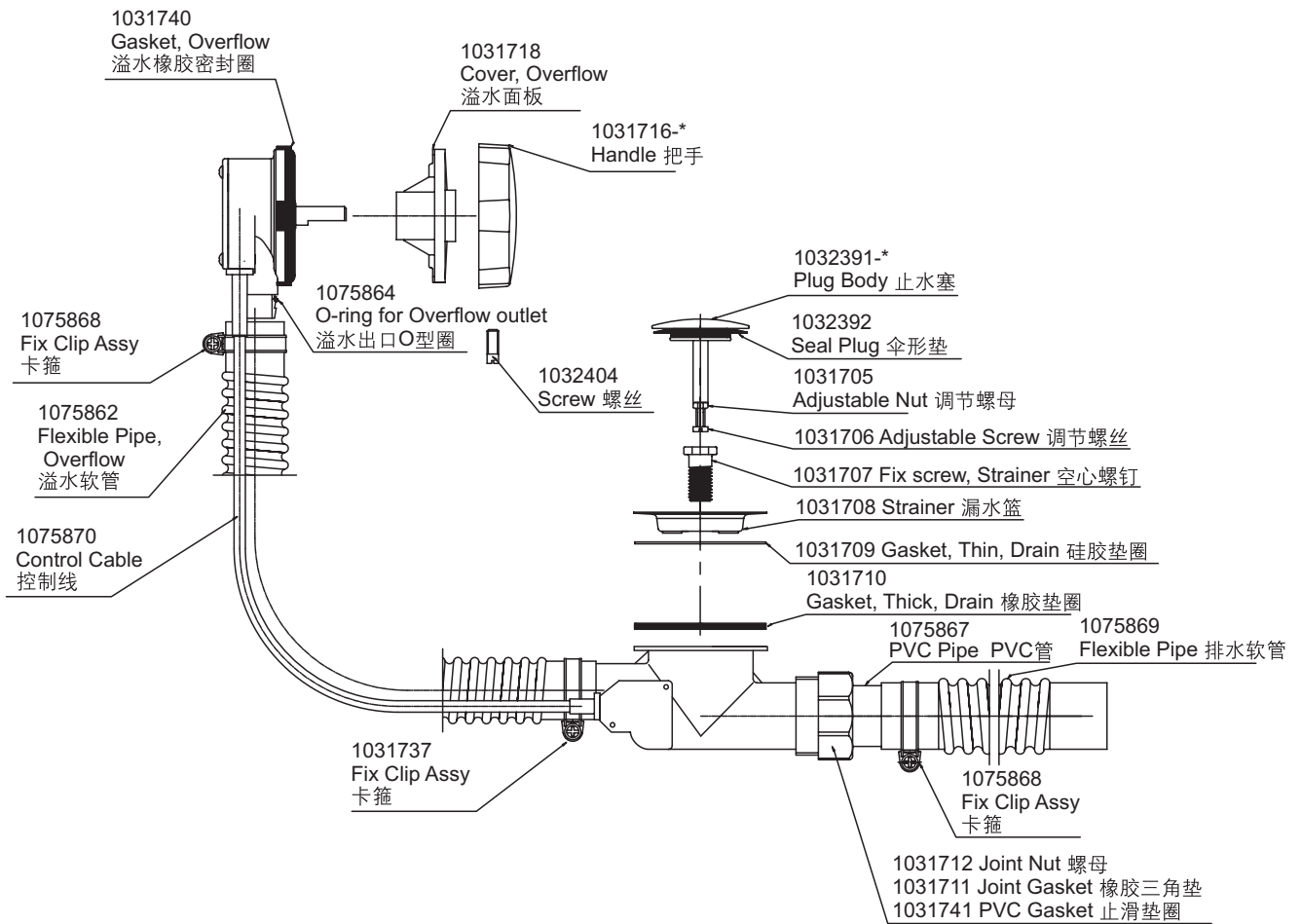
### B. 产品资料

重量 Weight	34公斤 (KG)
深度 Water Depth (至溢水孔底部 To overflow hole bottom)	454毫米 (mm)
水容量 Capacity (至溢水孔底部 To overflow hole bottom)	170升 (L)
底部面积 Basin Area	906毫米 (mm) × 445毫米 (mm)
顶部面积 Top Area	1152毫米 (mm) × 714毫米 (mm)

产品型号 SKU	产品名称 Description	配件 Service Parts	配件型号 Service Parts SKU
K-98156T	迪素角位整体化浴缸 (左角位) Deep soak corner integrated bath (LH corner)	落水 Drain	K-18417T-CP
K-98157T	迪素角位整体化浴缸 (右角位) Deep soak corner integrated bath (RH corner)	落水 Drain	K-18417T-CP
K-98158T	迪素角位整体化浴缸 (左角位, 含龙头) Deep soak corner integrated bath (LH corner, with faucet)	落水 Drain	K-18417T-CP
		龙头 Faucet	K-10868T-4-CP
K-98159T	迪素角位整体化浴缸 (右角位, 含龙头) Deep soak corner integrated bath (RH corner, with faucet)	落水 Drain	K-18417T-CP
		龙头 Faucet	K-10868T-4-CP



订购时请说明颜色代码(-\*)或表面处理(-\*\*) Color code (-\*) or finish (-\*\*) must be specified when ordering.



订购时请说明颜色代码(-\*)或表面处理(-\*\*) Color code (-\*) or finish (-\*\*) must be specified when ordering.