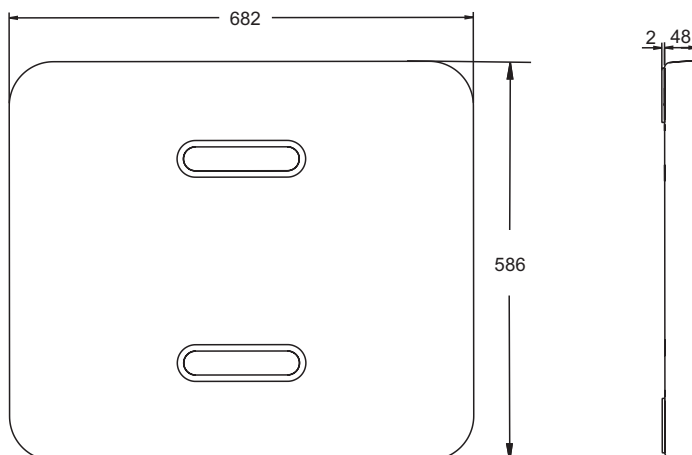


ROUGHING-IN

尺寸图

Reference Value
参考值

Unit:mm
单位:毫米



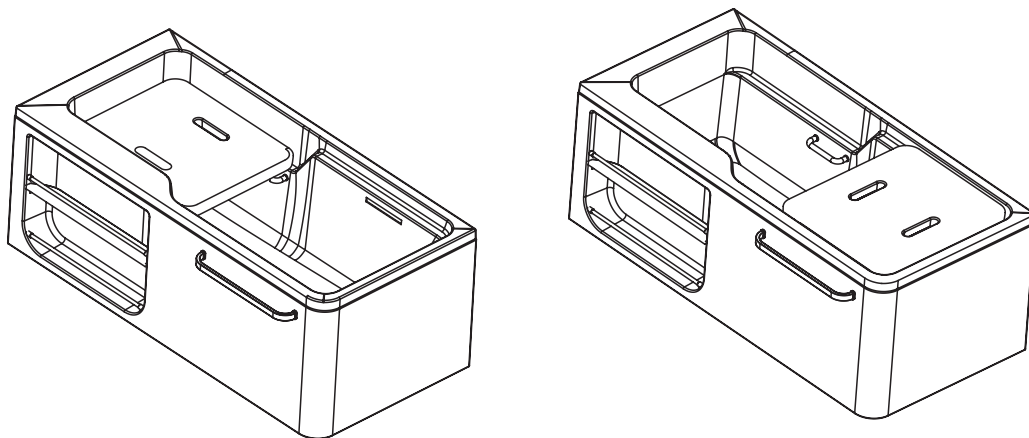
科勒公司保留随时变更图中标示尺寸的权利，无需另行通知。
Kohler reserves the right to change marked dimensions without prior notice.

INSTALLATION

安装

1. Open the package, and then check whether there is any product damage.
2. Put the shelf on the bath, keep the rubber on the bottom and it is ready for use.

1. 打开包装，检查产品无损坏。
2. 将浴缸置物板橡胶脚垫朝下放在浴缸上即可使用。



上海科勒有限公司
上海市奉贤区民乐路368号 邮编: 201419

IMPORTANT INFORMATION

1. ALEUTIAN bath shelf is for ALEUTIAN bath only.
2. 100kg is the maximum load for the bath shelf.

重要提示

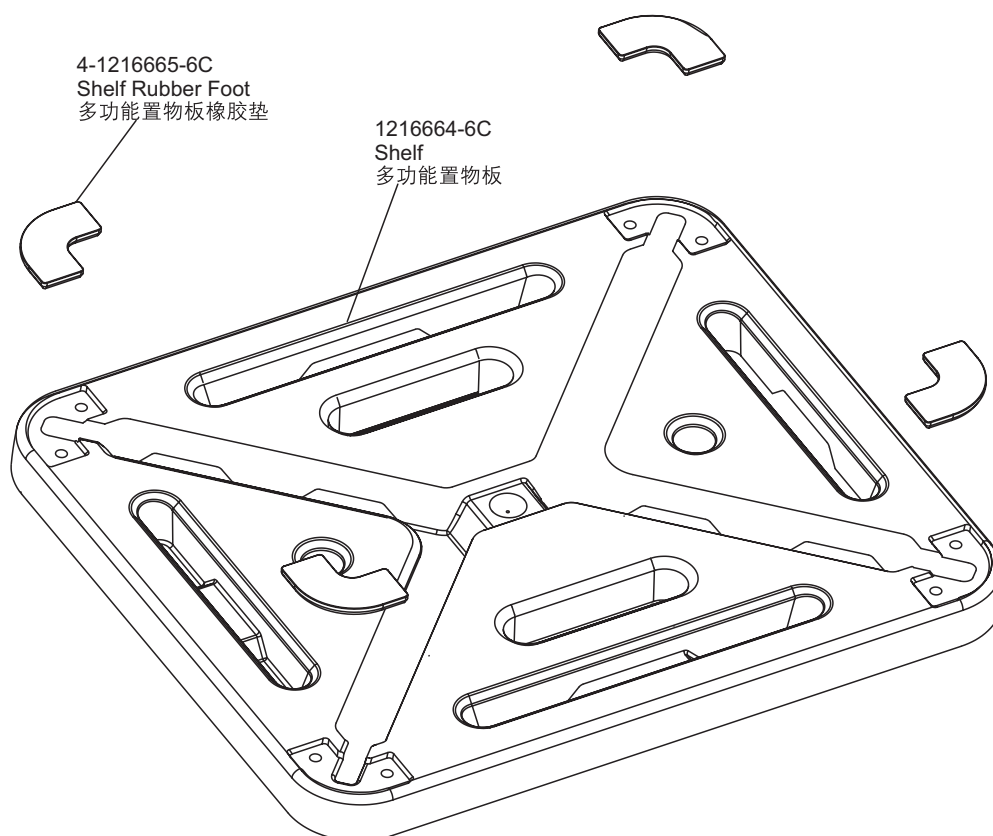
1. 浴缸多功能置物板仅适用于希尔维系列浴缸。
2. 浴缸置物板承重不可超过100公斤。

CARE AND CLEANING

When cleaning up, do not use abrasive cleaners, as they may scratch and dull the product surface. Use warm water and a clean cloth to clean the surface.

护理和清洁

清理时请勿使用磨损性的清洁用具，以免擦伤产品表面，使其失去光泽。使用温水和干净的抹布清洁表面。



订购时请说明颜色代码(-*)或表面处理(-**)
 Color code (-*) or finish (-**) must be specified when ordering.