

BEFORE YOU BEGIN

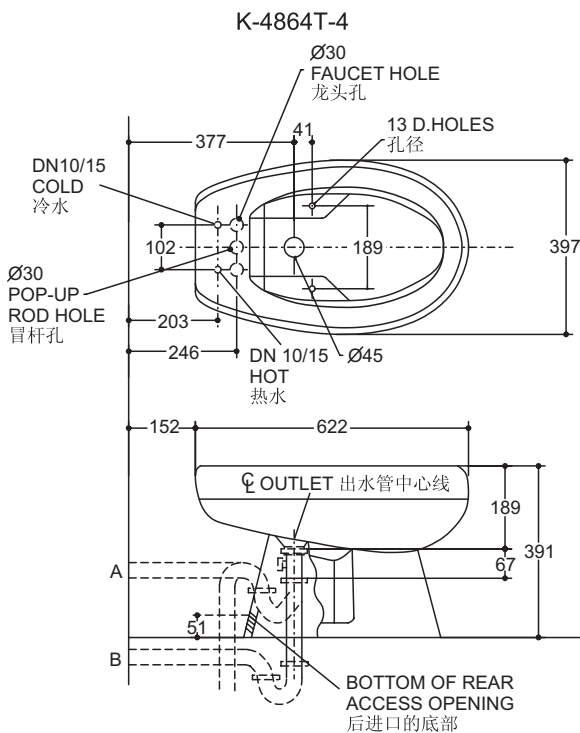
- Please read these instructions carefully to familiarize yourself with the required tools, materials, and installation sequences. Follow the sections that pertain to your particular installation. This will help you avoid costly mistakes. In addition to proper installation, read all operation and safety instructions.
- All information in these instructions is based upon the latest product information available at the time of publication. Kohler China reserves the right to make changes in product characteristic, packaging, or availability at any time without notice.
- These instructions contain important care, cleaning, and warranty information—**please leave instructions for the consumer.**

安装之前

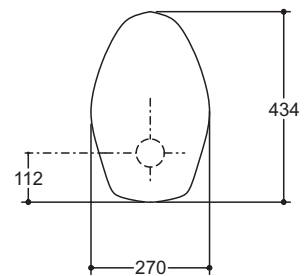
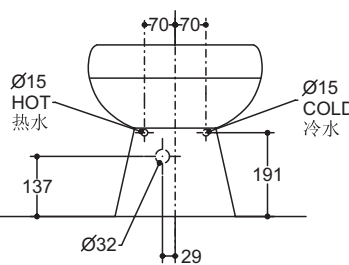
- 请小心详阅本指引，以便熟悉所需工具、物料及安装程序。请遵照适用的章节来安装本产品，以免安装失当导致不必要的损失。除了有关正确的安装方法之外，还务请详阅所有操作及安全指引。
- 本指引所载之一切资料，均以印刷时所有之最新产品情况为基础，科勒中国保留权利随时更改产品特性、包装或供应情况，恕不另行通知。
- 本指引也包含了有关护理、清洁及保养等重要资料—请交予用户保存。

ROUGHING-IN

尺寸图



Unit: mm
单位: 毫米



*152mm dimension recommended to allow for drain and supply connection from rear of bidet.
*建议后进水及后出水安装要预留152mm距离。

+Faucet hole diameter of K-4864T-1 single hole model is 35mm.
+K-4864-1单孔型号龙头孔径为35mm。

广东省佛山三水乐平镇第二工业区
佛山科勒有限公司 邮编: 528137

TOOLS AND MATERIALS REQUIRED(Not Supplied)

- 250mm adjustable wrench
- 300mm pipe wrench
- Tape measure
- Level
- Hacksaw
- Metal File
- Screwdriver
- Suitable fixing screws/bolts and anchors as necessary (2)
- Bidet faucet & drain assembly
- Waste trap
- Plumber's putty or neutral cure silicone sealant

所需工具及材料(不随货供应)

- 250mm活动扳钳
- 300mm喉管扳钳
- 卷尺
- 水平尺
- 钢锯
- 锉刀
- 螺丝刀
- 适合的螺钉/螺栓及支架(2枚, 如有需要)
- 净身盆龙头及排水管装备
- 排水管
- 水管油灰或中性硅酮密封胶

INSTALLATION

Install faucet and drain assemblies according to manufacturer's instructions, taking care to properly seal the drain assembly with plumber's putty or silicone sealant.

Place bidet in position, Note that approximately 150mm clearance is recommended between the bidet and wall to allow for connection of drain and water supplies. Thread bolt cap bases and washers onto fixing screws or bolts suited to the type of construction and fix securely to floor.



CAUTION: Risk of personal injury or product damage. Overtightening may cause breakage or chipping of the vitreous china.

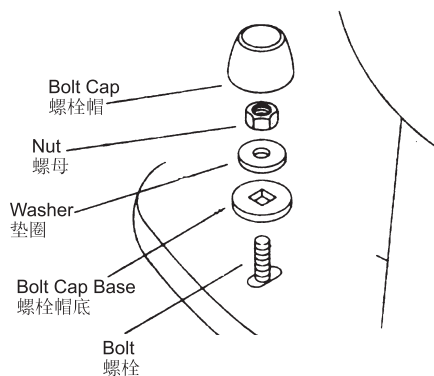
If the fixing extend more than 6mm over the top of the nuts, cut off excess and file and end. Wipe away any residue. Install the bolt cap by pressing it over the base.

Connect hot and cold, water supplies. Connect waste trap to drain. Text for leaks.

安装

请依照制造商的安装指示安装水龙头及排水管装备, 务必小心地用水管油灰或硅酮密封胶封好排水管接口。

将净身盆放好, 建议净身盆与墙身之间要预留约150mm的空位, 以便连接水源和排水管。将螺栓帽及垫圈套在适用的螺钉或螺栓上, 并上紧于地面。



警告: 提防身体受伤或产品破裂。螺母不可上得太紧, 否则会导致釉面陶瓷损坏及崩裂。

如螺栓露出超过螺母6mm时, 切掉过长者。并锉平末端然后抹去碎屑。将螺栓帽按在帽底上装妥。

把热水和冷水管接上, 同时把排污管连接排水口。测试防漏情况。

IMPORTANT CONSUMER INFORMATION

CARE AND CLEANING

To keep your bidet looking new, make sure you rinse it out thoroughly after each use. **DO NOT USE ABRASIVES** on this product, as they will scratch and ruin the surface. Stubborn stains, paint, or tar can be removed with turpentine or paint thinner.

用户须知

护理及清洁

为保持产品光洁如新, 请确保每次使用后立即彻底冲洗, 但切勿用腐蚀性清洁剂, 以防止刮花或磨损盆面, 如遇有顽渍、油漆或柏油, 可用松油或油漆稀释剂清洗。