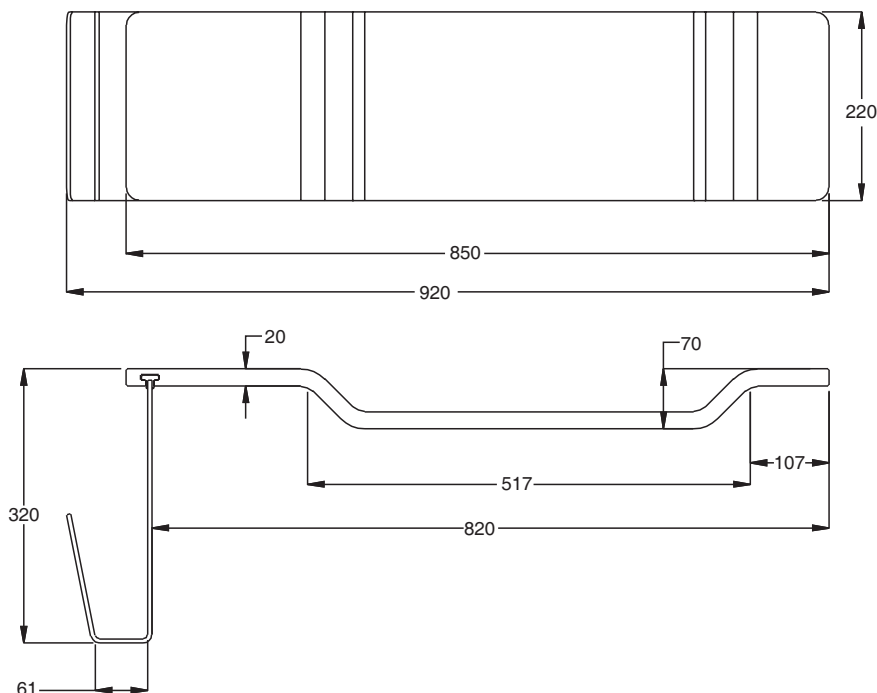


### ROUGHING-IN

### 尺寸图

Reference Value  
参考值

Unit:mm  
单位:毫米



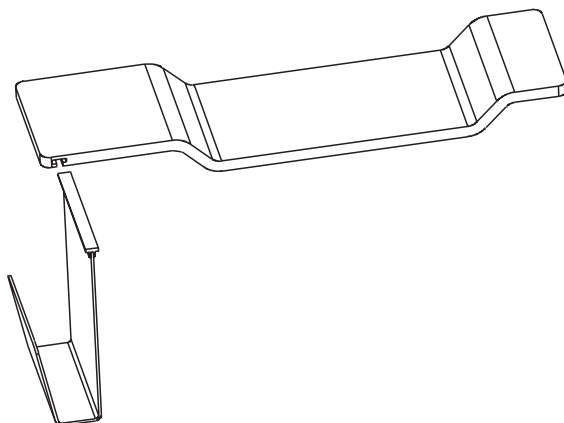
科勒公司保留随时变更图中标示尺寸的权利，无需另行通知。  
Kohler reserves the right to change marked dimensions without prior notice.

### INSTALLATION

### 安装

1. Open the package, and then check whether there is any product damage. Insert the shelf holder to the groove of the bath shelf.

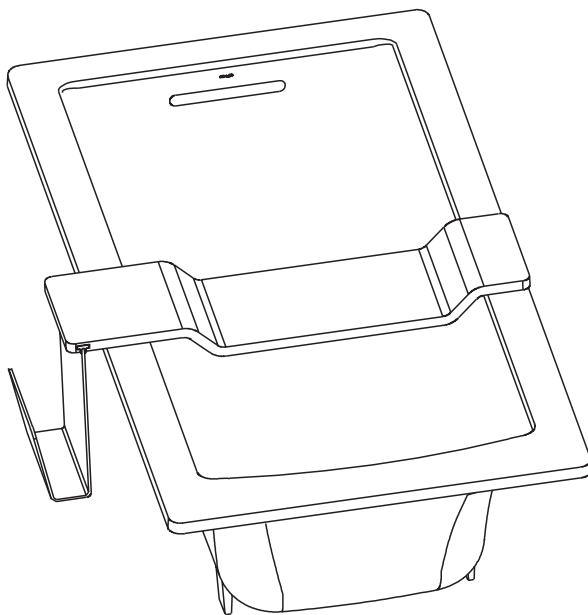
1. 打开包装，检查产品无损坏后将搁板挂架插入浴缸木搁板的槽中。



上海科勒有限公司  
上海市奉贤区民乐路368号 邮编: 201419

2. Put the pre-installed assembly of bath shelf and shelf holder on the bath and it is ready for use.

2. 将安装好的浴缸木搁板及挂架组合放在浴缸上即可使用。



## IMPORTANT INFORMATION

## 重要提示

1. The assembly of bath shelf and shelf holder is only for bath that is not wider than 800mm (including in-wall depth). If the bath width is between 800mm and 850mm, the installation is only suitable for the bath shelf and not for the shelf holder.
2. 100kg is the maximum load for the bath shelf and 2kg is for the shelf holder.

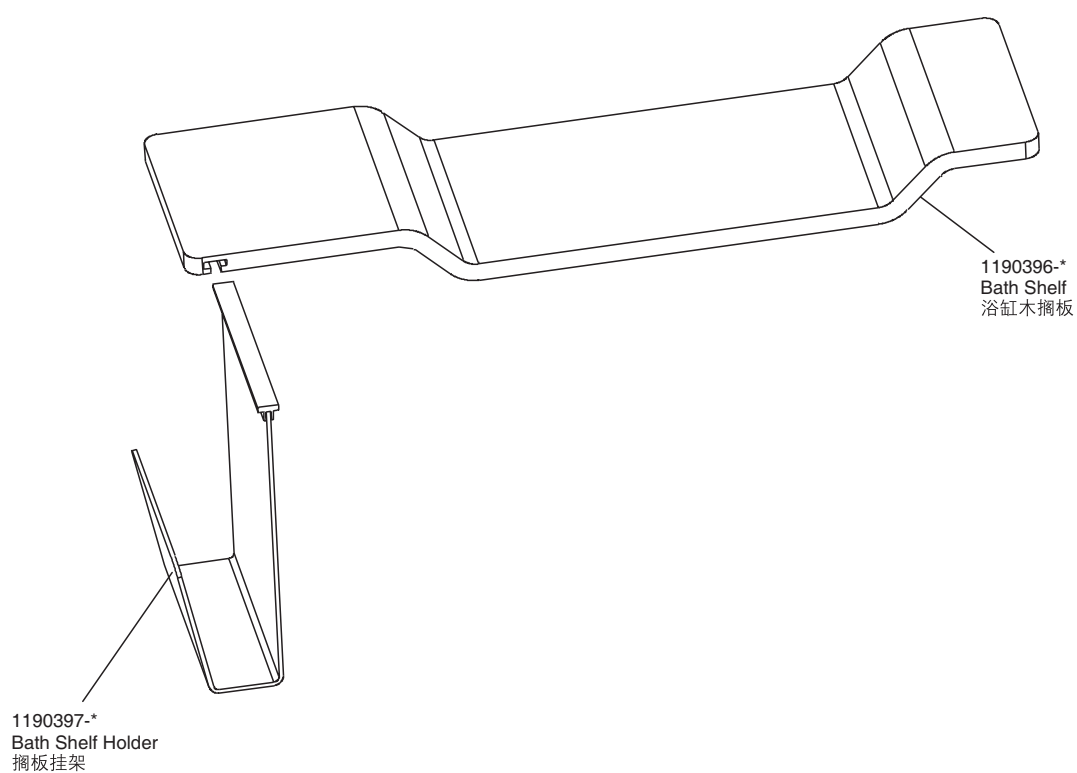
1. 浴缸木搁板和挂架组合适用于浴缸宽度 $\leq 800$ 毫米（包括嵌入式墙面）。如果浴缸宽度大于800毫米小于850毫米，则仅能选择浴缸木搁板部分，不能安装挂架部分。
2. 浴缸木搁板承重不可超过100公斤，搁板挂架承重不可超过2公斤。

## CARE AND CLEANING

## 护理和清洁

When cleaning up, do not use abrasive cleaners, as they may scratch and dull the product surface. Use warm water and a clean cloth to clean the surface.

清理时请勿使用磨损性的清洁用具，以免擦伤产品表面，使其失去光泽。使用温水和干净的抹布清洁表面。



订购时请说明颜色代码(-\*)或表面处理(-\*\*)  
Color code (-\*) or finish (-\*\*) must be specified when ordering.