

KOHLER®

经典风格挡水条，方型
WATER DIVIDER, SQUARE, CLAS
K-37081T/K-37082T/K-37083T/K-37084T
经典风格挡水条，钻石型
WATER DIVIDER, ANGLE, CLAS
K-37085T/K-37086T/K-37087T
经典风格挡水条，一字型
WATER DIVIDER, STRAIGHT, CLAS
K-37088T/K-37089T/K-37090T/K-37091T
经典风格挡水条，圆弧形
WATER DIVIDER, ROUND, CLAS
K-37092T

安装说明书
INSTALLATION INSTRUCTIONS
人造石淋浴房挡水条
ARTIFICIAL MARBLE SHOWER DOOR DIVIDER
简约风格挡水条，方型
WATER DIVIDER, SQUARE, CONTPY
K-37069T/K-37070T/K-37071T/K-37072T
简约风格挡水条，钻石型
WATER DIVIDER, ANGLE, CONTPY
K-37073T/K-37074T/K-37075T
简约风格挡水条，一字型
WATER DIVIDER, STRAIGHT, CONTPY
K-37076T/K-37077T/K-37078T/K-37079T
简约风格挡水条，圆弧形
WATER DIVIDER, ROUND, CONTPY
K-37080T/K-15281T/K-15282T

BEFORE YOU BEGIN

- Please confirm whether your installation area and the divider you're going to install in compliance with requirement stated in related showerdoor installation instructions before you start.
- The divider could be installed to finished floor or unfinished floor, but you need to ensure that the wall is finished and the floor should be level. If the floor is not level enough, use thinned slurry (with the proportion of 10:1) to fix the divider and ensure it is level and the bottom part is sufficiently supported.
- Pre-cut the divider before it comes out of factory.
- Make sure the floor drain is prepared around the divider installation area.

安装之前

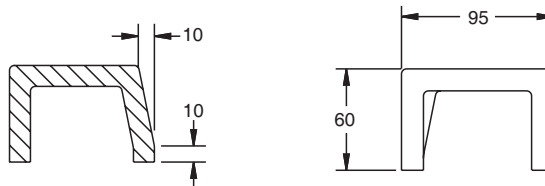
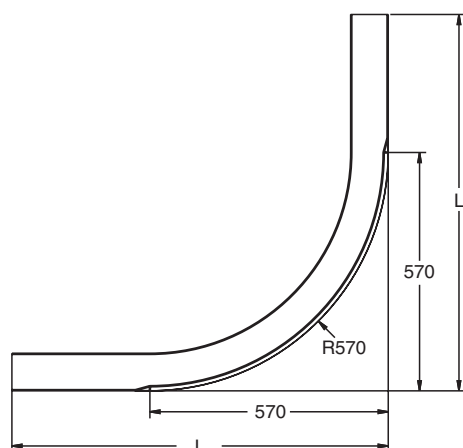
- 安装前请参照相关淋浴房说明书确认安装区域及您将安装的挡水条是否符合淋浴房安装要求。
- 挡水条可以安装在完工地面或未完工地面上，但墙面应已完工，地面必须平整，无隆起。如果遇到不平地面，可以用较稀的水泥浆（约10:1）将挡水条放上以确保水平且挡水条底部应得到良好支撑。
- 挡水条出厂前底面已预先切平。
- 挡水条包围的区域内应有地漏装置。

ROUGHING-IN

尺寸图

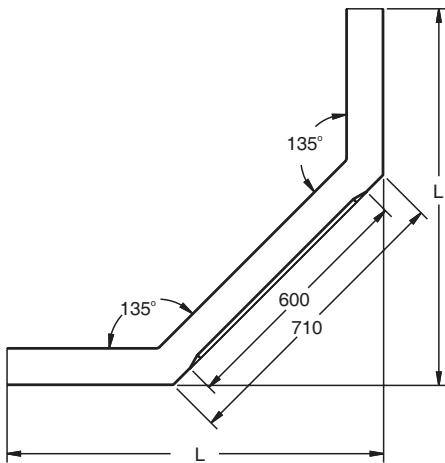
Contemporary Design 简约风格

UNIT : mm
单位: 毫米

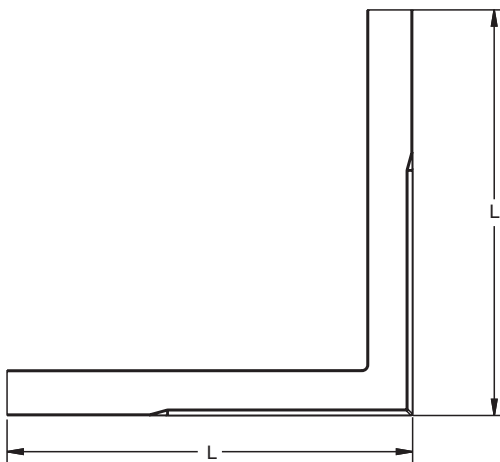


SKU	Description 描述	Length 长度 "L"
K-37080T	Contemporary Water Divider, Round, 900 x 900 简约风格挡水条, 圆弧形	900
K-15281T	Contemporary Water Divider, Round, 1000 x 1000 简约风格挡水条, 圆弧形	1000
K-15282T	Contemporary Water Divider, Round, 1200 x 1200 简约风格挡水条, 圆弧形	1200

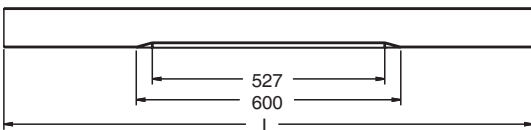
科勒(中国)投资有限公司
上海市闸北区江场三路158号 邮编: 200436



SKU	Description 描述	Length "L" 长度
K-37073T	Contemporary Water Divider, Angle, 900 x 900 简约风格挡水条, 钻石型	900
K-37074T	Contemporary Water Divider, Angle, 1000 x 1000 简约风格挡水条, 钻石型	1000
K-37075T	Contemporary Water Divider, Angle, 1200 x 1200 简约风格挡水条, 钻石型	1200

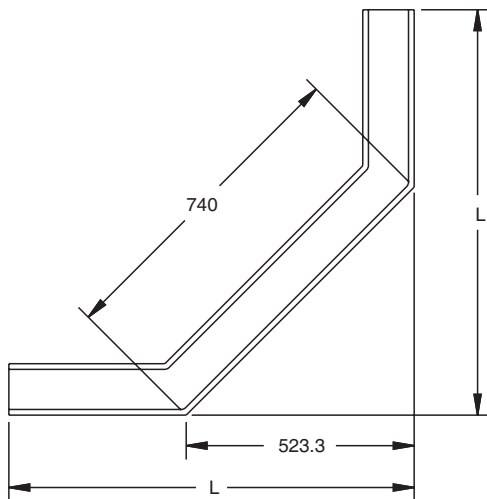
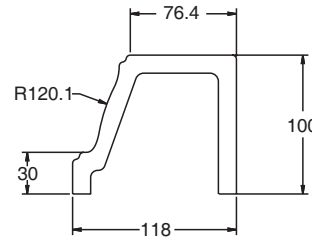
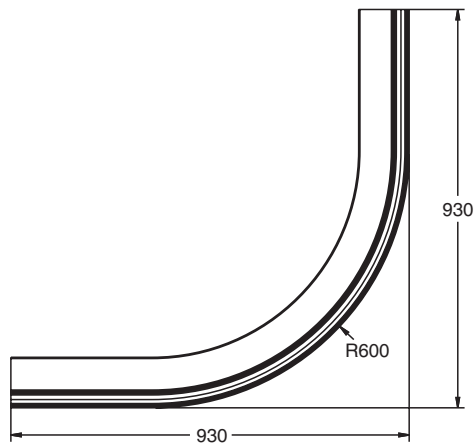


SKU	Description 描述	Length "L" 长度
K-37069T	Contemporary Water Divider, Square, 900 x 900 简约风格挡水条, 方型	900
K-37070T	Contemporary Water Divider, Square, 1000 x 1000 简约风格挡水条, 方型	1000
K-37071T	Contemporary Water Divider, Square, 1200 x 1200 简约风格挡水条, 方型	1200
K-37072T	Contemporary Water Divider, Square, 1400 x 1400 简约风格挡水条, 方型	1400

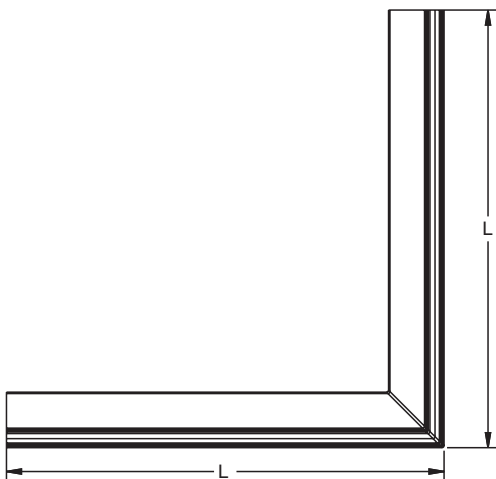


SKU	Description 描述	Length "L" 长度
K-37076T	Contemporary Water Divider, Straight, 1200 简约风格挡水条, 一字型	1200
K-37077T	Contemporary Water Divider, Straight, 1500 简约风格挡水条, 一字型	1500
K-37078T	Contemporary Water Divider, Straight, 1800 简约风格挡水条, 一字型	1800
K-37079T	Contemporary Water Divider, Straight, 2000 简约风格挡水条, 一字型	2000

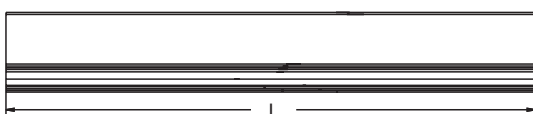
Classic Design
经典风格



SKU	Description 描述	Length "L" 长度
K-37085T	Classic Water Divider, Angle, 900 x 900 经典风格挡水条, 钻石型	930
K-37086T	Classic Water Divider, Angle, 1000 x 1000 经典风格挡水条, 钻石型	1030
K-37087T	Classic Water Divider, Angle, 1200 x 1200 经典风格挡水条, 钻石型	1230



SKU	Description 描述	Length "L" 长度
K-37081T	Classic Water Divider, Square, 900 x 900 经典风格挡水条, 方型	930
K-37082T	Classic Water Divider, Square, 1000 x 1000 经典风格挡水条, 方型	1030
K-37083T	Classic Water Divider, Square, 1200 x 1200 经典风格挡水条, 方型	1230
K-37084T	Classic Water Divider, Square, 1400 x 1400 经典风格挡水条, 方型	1430



SKU	Description 描述	Length "L" 长度
K-37088T	Classic Water Divider, Straight, 1200 经典风格挡水条, 一字型	1200
K-37089T	Classic Water Divider, Straight, 1500 经典风格挡水条, 一字型	1500
K-37090T	Classic Water Divider, Straight, 1800 经典风格挡水条, 一字型	1800
K-37091T	Classic Water Divider, Straight, 2000 经典风格挡水条, 一字型	2000

INSTALLATION

安装

1A. For finished floor(above-the-ground installation)
Place the divider side end against the wall and lay it down to the floor levelly.

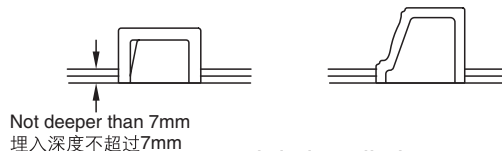
1A. 完工地面安装情况（地上安装）
将挡水条端面靠墙水平安放在地板上。

1B. For unfinished floor(sunk-in installation)
Place the divider side end against the wall and lay it down to the floor levelly. Then lay the tills properly.

1B. 未完工地面安装（埋入安装）
将挡水条断面靠墙水平安放在地面上，然后铺地
砖。



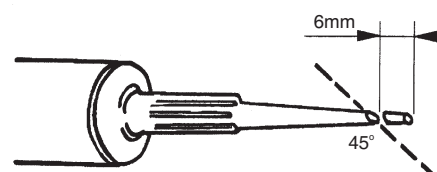
above-the-ground installation
地上安装



sunk-in installation
埋入安装

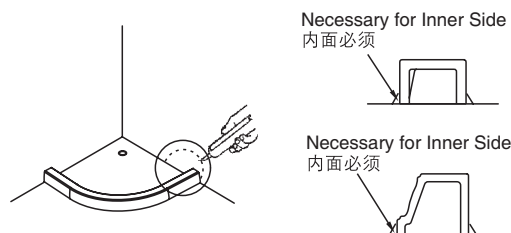
2. Prepare Silicone tube. Cut the top off the Silicone tube at the first notch or as shown picture.

2. 准备胶枪。在第一个刻痕处或图示之处将硅密封胶注射筒的顶端削去。



3. Apply silicone sealant evenly to the contact part between the divider and the wall, also to the contact area between the inner part of the divider and the floor for above-the-ground installation.

3. 挡水条和墙面接触处均涂上密封胶，对地上式安装还必须在挡水条内边和地面接触处均涂上密封胶密封。



4. Install Shower Doors. Follow the instructions supplied with the Door pack.

4. 按照淋浴门的安装说明安装淋浴门。

CLEANING & MAINTENANCE INSTRUCTIONS

清洗与保养说明

- When cleaning-up after installation, do not use abrasive cleaners as they may scratch and dull the surface. Use warm water and liquid, non abrasive detergent to clean the surface.
- Stubborn stains, paint or tar can be removed with white spirit. Do not use cleaners containing petroleum distillates, do not use solvent based cleaners.
- Plaster can be removed by scraping with a soft wood edge. Do not use metal scrapers, wire brushes, or other metal tools.
- Avoid harsh chemicals and disinfectants, do not use acetone or alcohol, do not use solvent based cleaners.
- Always read the label instructions on any cleaning product before applying it to marble surface.
- Wipe out the receptor with soft cloth after each use to prevent a build-up of soap and scum.

- 在安装后进行清洗时，请勿使用磨损性清洁剂，因为它们会产生刮痕，使表面暗淡无光。请用温水和无磨损作用的液体清洁剂清洗表面。
- 不易去除的污渍、油漆或沥青可以用白酒(White Spirit)除去。不要使用含有汽油溶剂的清洁剂，不要使用以溶剂为主的清洁剂
- 灰泥可用软的木片薄缘刮去。不要使用金属刮刀、钢丝刷或其他金属工具。
- 避免使用腐蚀性强的化学制剂或消毒剂，不要使用丙酮或酒精，不要使用以溶剂为主的清洁剂。
- 在人造大理石表面使用清洁剂之前，一定要仔细阅读清洁剂使用说明。
- 每次使用后，将本装置用软布擦干，以防止皂液和污垢沉积。