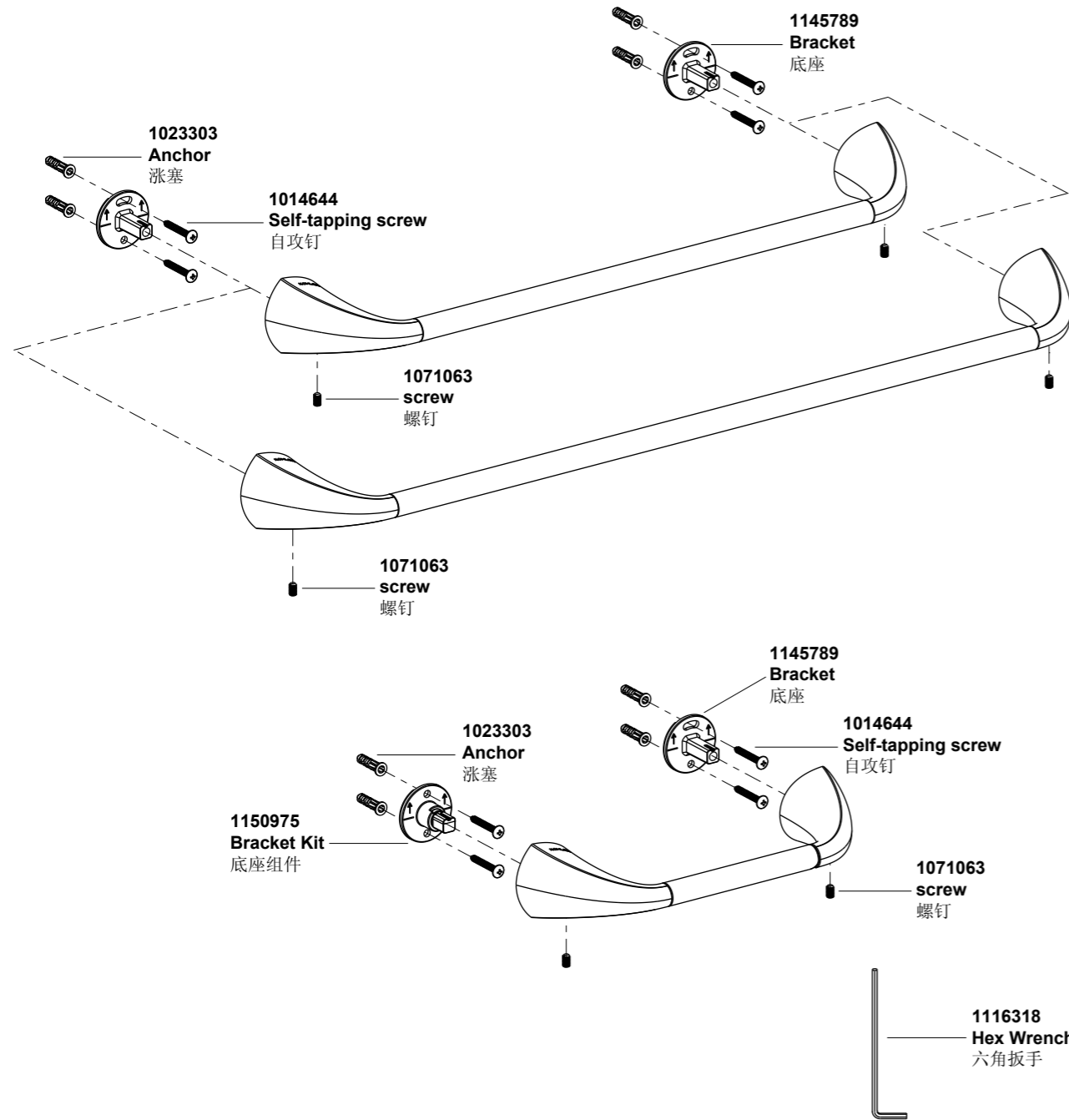


- 37050T 18"毛巾杆
- 37051T 24"毛巾杆
- 37054T 卫生纸架



**订购时请说明颜色编号
**Color code must be specified when ordering

- 37050T 18"毛巾杆
- 37054T 卫生纸架
- 37056T 卫生纸架 (竖直型)
- 37051T 24"毛巾杆
- 37055T 衣钩
- 37057T 毛巾环

安装之前

所有的资料是按最新出版的产品资料编写而成。科勒公司保留任何时候不经通知即可改变产品特性、包装或产品可供类型的权利。

说明书包括重要的安装、保养及清洁方面的内容，请把这些资料交给用户阅读。

注意事项:

本产品为水泥墙面安装或木墙面安装。若安装在其他表面可能影响产品性能。

危险警告: (人身伤害)

本产品不能作为扶手等支撑物使用，请勿将产品安装在可能被误认为扶手等支撑物的位置。

BEFORE YOU BEGIN

All information is based on the latest product information available at the time of publication. Kohler Co. reserves the right to make changes in product characteristics, packaging, or availability at any time without notice.

Please leave these instructions for the consumer. They contain important information.

NOTE:

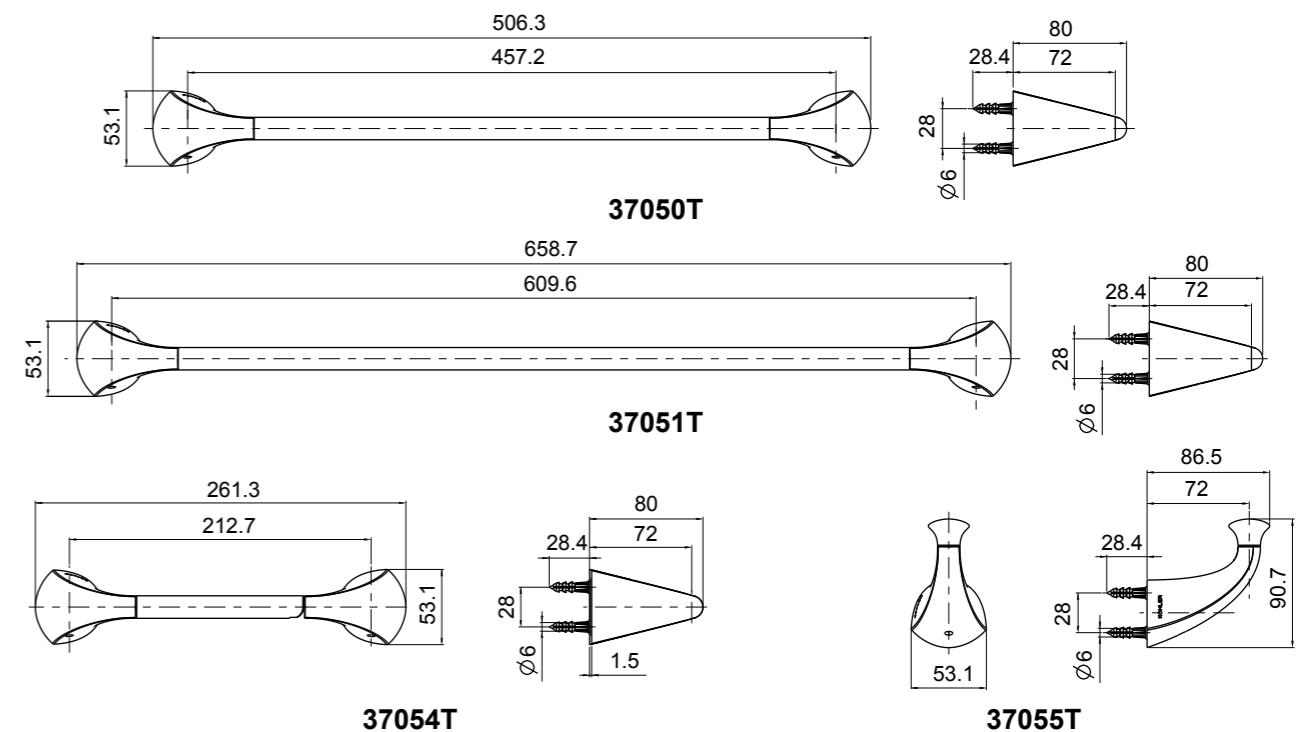
These products should be located and mounted to a wall. While it is possible to mount them to any surface, a stud or concrete mounted product will yield the best results.

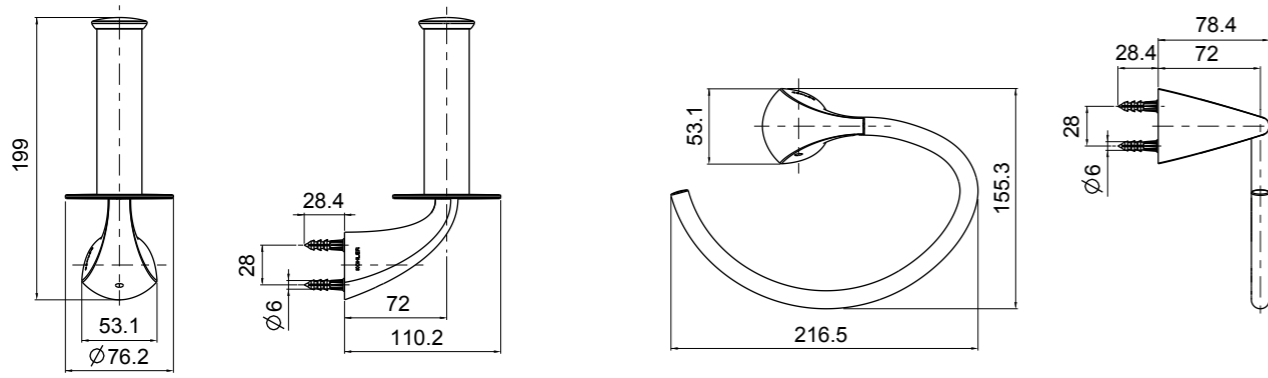
DANGER: (Risk of personal injury)

These products are not designed or intended for use as a grab bar or support bar. Do not install any of these products in any area where they are likely to be used inadvertently as a grab bar or support bar.

安装尺寸

ROUGH-IN DIMENSIONS





37056T

37057T

安装步骤

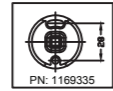
INSTALLATION

如何粘贴模板

如图所示，在墙面上找一个合适的位置粘贴模板，确保模板水平，保持圆孔在下。根据胀塞直径钻孔。



仅对37050T/37051T/37054T



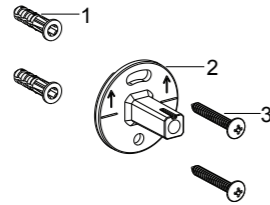
仅对37055T/37056T/37057T

How to Stick the Templet

Select a proper position on the wall to stick the templet, ensure the templet is level and keep the smaller hole down as shown. Drill holes in the finished wall as required.

如何安装底座

将胀塞(1)塞入孔中，用自攻钉(3)固定底座(2)，保持底座大安装孔在上，小安装孔在下，两螺钉孔铅垂。

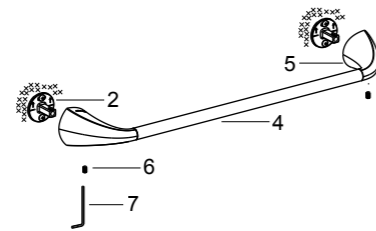


How to install the Bracket

Press the anchor(1) into the holes. Orienting the large slotted mounting hole of the plate up, the smaller hole of the plate down and two screw holes are vertical, secure the plate(2) with the self-tapping screws(3).

如何安装毛巾杆

将毛巾杆组件(4)中的装饰盖(5)装入底座(2)内，保持装饰盖上带孔的面朝下放置，用六角扳手(7)将螺钉(6)拧入到装饰盖内固定毛巾杆组件。

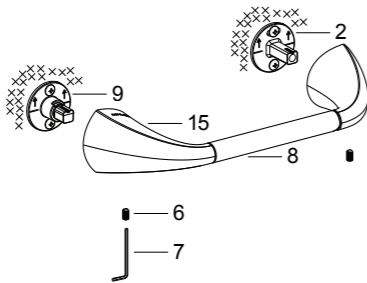


How To Install Towel Bar

Slide the escutcheon(5) of the towel bar kit(4) into the bracket(2), orient the escutcheon with the hole facing downward. Tighten the screw(6) into the escutcheon with the hex wrench(7) to secure the towel bar kit.

如何安装卫生纸架

将卫生纸架组件(8)中的装饰盖(15)装入底座(2)和底座组件(9)内，保持装饰盖上带孔的面朝下放置，用六角扳手(7)将螺钉(6)拧入到装饰盖内固定卫生纸架组件。

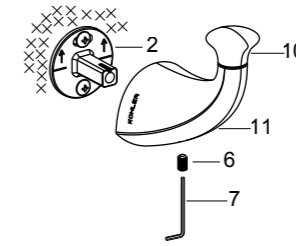


How To Install Tissue Holder

Slide the escutcheon(15) of the tissue holder kit(8) into the bracket(2) and bracket kit(9), orient the escutcheon with the hole facing downward. Tighten the screw(6) into the escutcheon with the hex wrench(7) to secure the tissue holder kit.

如何安装衣钩

将衣钩组件(10)中的装饰盖(11)装入底座(2)内，保持装饰盖上的孔面朝下放置，用六角扳手(7)将螺钉(6)拧入到装饰盖内固定衣钩组件。

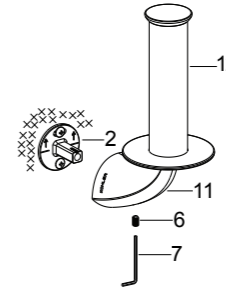


How To Install Robe Hook

Slide the escutcheon(11) of the robe hook kit(10) into the bracket(2), orient the escutcheon with the hole facing downward. Tighten the screw(6) into the escutcheon with the hex wrench(7) to secure the robe hook kit.

如何安装竖直型卫生纸架

将卫生纸架组件(12)中的装饰盖(11)装入底座(2)内，保持装饰盖上的孔面朝下放置，用六角扳手(7)将螺钉(6)拧入到装饰盖内固定卫生纸架组件。

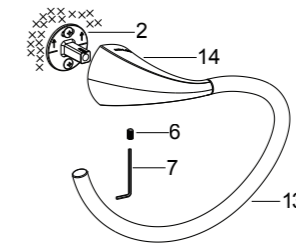


How To Install Vertical Tissue Holder

Slide the escutcheon(11) of the tissue holder kit(12) into the bracket(2), orient the escutcheon with the hole facing downward. Tighten the screw(6) into the escutcheon with the hex wrench(7) to secure the tissue holder kit.

如何安装毛巾环

将毛巾环组件(13)中的装饰盖(14)装入底座(2)内，保持装饰盖上的孔面朝下放置，用六角扳手(7)将螺钉(6)拧入到装饰盖内固定毛巾环组件。



How To Install Towel Ring

Slide the escutcheon(14) of the towel ring kit(13) into the bracket(2), orient the escutcheon with the hole facing downward. Tighten the screw(6) into the escutcheon with the hex wrench(7) to secure the towel ring kit.

安装结果检查

检查并确保所有连接处已锁紧。

检查并确保所有六角螺钉竖直向下。

INSTALLATION CHECKOUT

Ensure that all connections are tightened.

Ensure all setscrews face straight down.

清洗说明

适用于所有加工处理过的表面：以中性肥皂水清洗镀层表面，再以干净的软布彻底擦干整个表面，许多清洁剂，比如氨水、去污粉及洁厕灵等，会对电镀表面造成伤害，切忌使用。

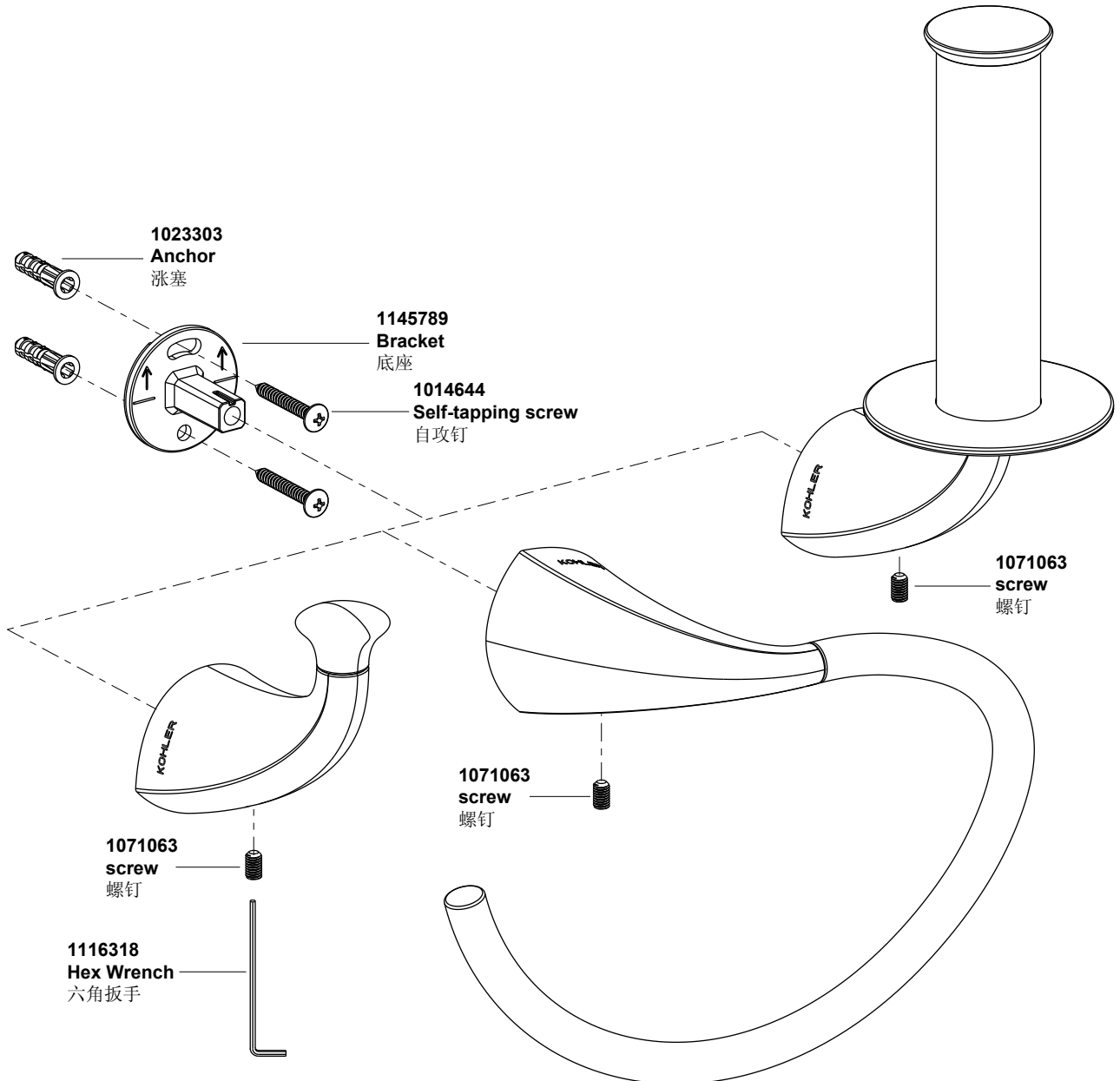
有磨损性的清洁用具或清洁剂也不可适用于科勒牌的水龙头及其配件上。

CLEANING INSTRUCTIONS

All Finishes: Clean the finish with mild soap and warm water. Wipe entire surface completely dry with a clean soft cloth. Many cleaners may contain chemicals, such as ammonia, chlorine, toilet cleaner etc. Which could adversely affect the finish and are not recommended for cleaning.

Do not use abrasive cleaners or solvents on Kohler faucets and fittings.

- 37055T 衣钩
- 37056T 卫生纸架 (竖直型)
- 37057T 毛巾环



**订购时请说明颜色编号

**Color code must be specified when ordering