

BEFORE YOU BEGIN

安装之前

NOTES

- Observe local plumbing codes.
- Prior to installation, unpack the new lavatory and carefully inspect it for damage. Return the lavatory to its protective carton until you are ready to install it.
- All information in these instructions is based upon the latest product information available at the time of publication. Kohler China reserves the right to make changes in product characteristics, packaging, or availability at any time without notice.
- These instructions contain import care, cleaning, and warranty information please leave these instructions for the consumer.

注意

- 留意当地所有给排水及建筑规定。
- 安装之前，先开启新脸盆的包装，并小心检查新的脸盆是否有损坏，再将脸盆放回包装盒内，到安装时才取用。
- 本说明书所含一切资料，均以印刷时所有的最新产品为准。科勒公司保留随时更改产品特性，包装或供应情况的权利，恕不另行通知。
- 此说明书包括重要的护理，清洁及保修资料请将此说明书交用户留存。

ROUGHING-IN DIMENSIONS

尺寸图

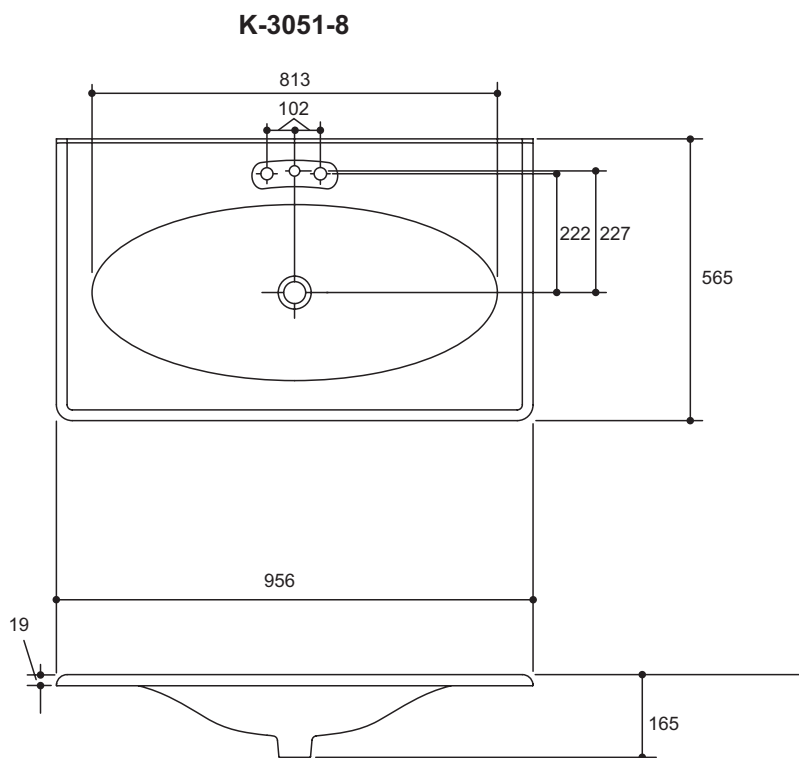


Fig. 1
图1

上海科勒国际贸易有限公司
上海市外高桥保税区新灵路106号2号楼324室 邮编: 200131

TOOLS AND MATERIALS REQUIRED (NOT SUPPLIED)

- Silicone Sealant
- Level
- Tape Measure

所需工具及材料(不随货供应)

- 硅胶
- 水平尺
- 卷尺

INSTALLATION

安装

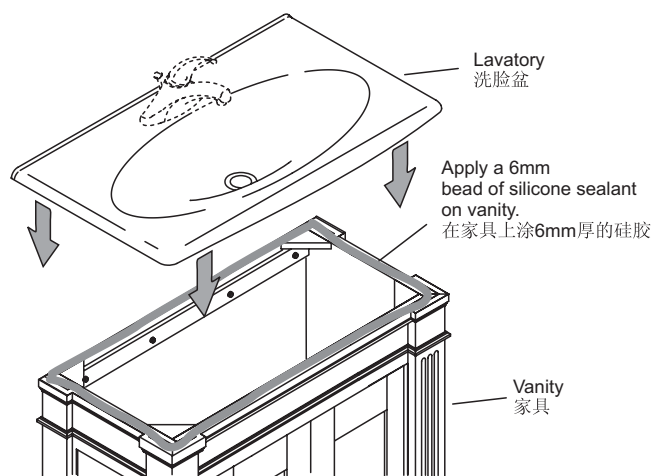


Fig. 2
图2

CAUTION: Risk of personal injury or product damage. Cast iron lavatories are very heavy. Get help lifting the lavatory into place.

1. Install the faucet and drain to the lavatory. Refer to the faucet and drain manufacturer's instructions.
2. Run a 1/4" (6 mm) continuous bead of silicone sealant around the top of the vanity, as Fig 2.

IMPORTANT! To ensure proper installation, get assistance aligning and lifting the lavatory into place.

IMPORTANT! The back edge of the lavatory must be flush against the back of the vanity and equal left and right overhang on each side of the vanity.

3. Position the lavatory on top of the vanity.
4. Verify that the lavatory is level. If the lavatory is not level, gently press down on the lavatory.
5. Wipe away excess silicone sealant.
6. Connect the water supply and the drain assembly.
7. Run water into the lavatory and check for leaks.

警告：有产品损坏或人员受伤的危险！ 铸铁洗脸盆十分沉重，请小心摆放。

1. 安装洗脸盆的龙头和落水，参见龙头和落水的说明书。
2. 在家具边缘涂上6mm厚的硅胶。见图2。

注意！为使洗脸盆正确安装到位，请多人一起摆放。

注意！洗脸盆背部需与家具背部齐平，左、右两边超出家具部分须相等。

3. 把洗脸盆安装到家具上。
4. 确保洗脸盆水平，如不，在洗脸盆上适当加压。
5. 抹去多余硅胶。
6. 连接落水管和落水装置。
7. 注水以检查是否漏水。

IMPORTANT CONSUMER INFORMATION

用户须知

CARE AND CLEANING

To keep your lavatory looking new, make sure you rinse it out thoroughly after each use. DO NOT ABRASIVES on this product, as they will scratch and ruin the surface. Stubborn stains, paint, or tar can be removed with turpentine or paint thinner.

护理及清洁须知

为保持脸盆光洁如新，须确保每次使用后彻底冲洗干净，切勿使用腐蚀性的清洁剂，以免刮花及破坏脸盆的表面。要清除顽固污垢，油漆或柏油，可使用松油或油漆稀释剂。

LIMITED ONE-YEAR WARRANTY

一年有限担保

Plumbing Fixtures and Fittings Limited One-year Warranty

陶瓷及浴缸产品及配件担保——一年有限担保

Kohler plumbing fixtures and fittings are warranted to be free of manufacturing defects.

科勒公司担保其陶瓷及浴缸产品及配件在制造工艺上无瑕疵。

This product is warranted for one year from date of purchase. Kohler China will be responsible for any problems caused by manufacturing defects provided with the invoice. Kohler China will, at its election, repair, replace or make appropriate adjustment where Kohler China inspection discloses any such defects occurring in normal usage within one year after purchase.

本产品自购买之日起即获得本公司一年的质量保证。在质保期内，凭购货发票，科勒公司将免费承担由制造质量引起的任何问题。经核查后，科勒中国有限公司有权决定是修理、更换、还是作适当的调整。

Implied warranties including that of merchantability and fitness for a particular purpose are expressly limited in duration to the duration of this warranty, Kohler China disclaims any liability for special, incidental or consequential damages. Damages to the product caused by misuse, abuse and installation that is not in accordance with the owner's manual are not covered by this warranty.

这里所指的担保，包括产品，都已明确地限制在该担保期之内。科勒中国有限公司对其后出现的损坏不负有任何责任。担保也不包括外观损伤、使用不当以及未按说明书安装的损失。

To obtain quick warranty service, please contact your dealer, or write to Kohler China. (Original sales receipt must be provided as the proof of purchase.)

为获得快捷的担保服务，请联系您的销售商；您也可写信给科勒中国有限公司(请出示销售发票原件作为购货凭证)：

Kohler China Investment Company Ltd.
Central Customer Service Center
19/F, Shanghai Square, 138 Huai Hai Road,
Luwan District, Shanghai, PRC
Zip Code: 200021

科勒(中国)投资有限公司
中央客户服务中心
上海市卢湾区淮海中路138号
上海广场19楼
邮编：200021

This is our exclusive written warranty.

这是我们全部的书面担保。