


## BEFORE YOU BEGIN

- Please read these instructions carefully to familiarize yourself with the required tools, materials, and installation sequences. Follow the sections that pertain to your particular installation. This will help you avoid costly mistakes. In addition to proper installation, read all operating and safety instructions.
- All information in these instructions is based upon the latest product information available at the time of publication. Kohler China reserves the right to make changes in product characteristics, packaging, or availability at any time without notice.
- Select the type of fastener based on the wall material. Fasteners must have a minimum of 20 lb (9.07 kg) load bearing.
- Install the fasteners to a stud to avoid possible property and product damage. If this is not possible, anchors must be inserted before installing the fasteners. Select anchors with a minimum of 20 lb (9.07 kg) load bearing.
- Select wood screws that are long enough to secure the Mirror to the finished wall. Take into account the combined thickness of the mounting rail and wall material.
- These instructions contain important care, cleaning, and warranty information-**please leave instructions for the consumer.**
- Obey all electrical regulations in force at the time of installation.

 **Warning! Risk of personal injury and product damage.** Mirrored cabinets are very heavy and should not be lifted or installed by just one person.

## 安装之前

- 请仔细阅读本指引，以便熟悉所需工具、物料及安装程序。请遵照适用的章节来安装本产品，以免安装失当导致不必要的损失。除了有关正确的安装方法之外，还务请阅读所有操作及安全指引。
- 本指引所载之一切资料，均以印刷时所有之最新产品情况为基础，科勒中国保留权利随时更改产品特性、包装或供应情况，恕不另行通知。
- 根据墙体材料选择紧固件的种类，紧固件必须能承受至少9.07kg的重量。
- 安装紧固件的同时避免可能发生的财产和产品破坏，如不可能，必须在安装紧固件前预塞入膨胀螺栓，选择能承受9.07kg的膨胀螺栓。
- 选择的木螺丝必须足够长，从而确保镜子安装在墙上，计算长度可根据固定条和墙体材料。
- 本指引也包含了有关保养、清洁及担保等重要资料-**请交予用户保存。**
- 遵循当地所有的电器安装规定。

 **警告！小心人身伤害和产品受损。** 镜面橱柜较重，安装时请勿一人操作。

## ORDERING INFORMATION

This installation covers the following products in the MERSING range:  
MERSING 610mm Mirror.....2460T-F10

## 订购信息

此安装说明书适用于以下曼诗系列家具的安装：  
曼诗610mm镜子.....2460T-F10

## SAFETY: WARNINGS

Kohler products are precision engineered and should give continued superior and safe performance, provided:

1. They are installed, commissioned, operated and maintained in accordance with the recommendations given in this Manual.
2. Periodic attention is given, as necessary, to maintain the product in good functional order. Recommended guidelines are given in the **MAINTENANCE** section.

Carefully inspect the new fixture for any signs of damage.

When installing Kohler Products, manufacturers guidelines for power tool safety should be followed.

## 安全：警告

科勒产品经过精确制造，性能卓越，经久耐用。为保证产品质量，您必须：

1. 按照此手册中推荐的方法进行安装、起动、操作及维护。
2. 如有需要，定期检查，令产品保持良好性能状态。日常维护章节中列有推荐方法。

仔细检查新产品是否有损伤。

在安装科勒产品时，必须遵循制造商有关电动工具的安全指令。

科勒(中国)投资有限公司  
上海市闸北区江场三路158号 邮编：200436

© 版权为科勒中国有限公司所有，2006

## TOOLS AND MATERIALS

- Drill
- Tape Measure
- Pencil
- Safety Glasses
- Level

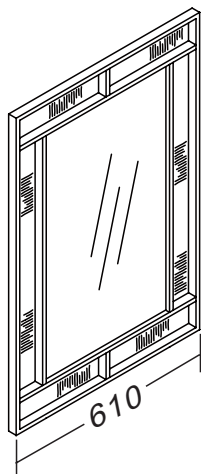
## 工具及材料

- 手枪钻
- 卷尺
- 铅笔
- 安全眼镜
- 水平尺

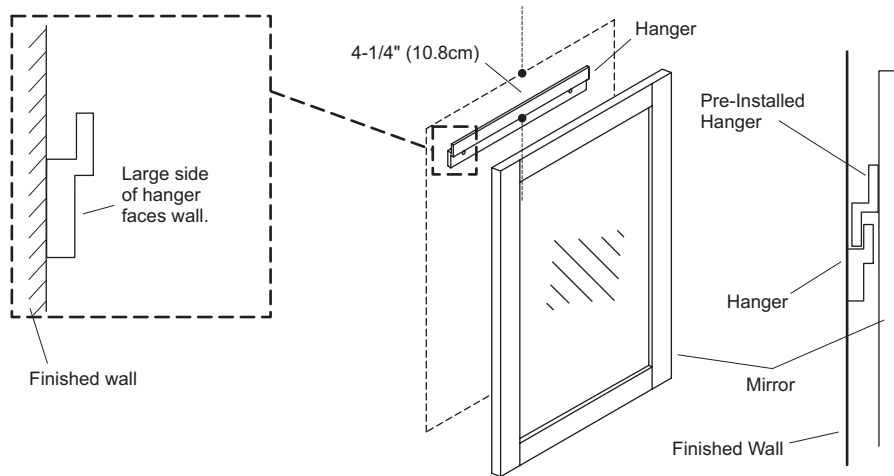
## ROUGHING-IN

## 尺寸图

UNIT : mm  
单位: 毫米



2460T-F10  
Mirror  
镜子



## INSTALL THE MIRROR

### IMPORTANT!

Get assistance when determining the desired placement of the mirror. One person should hold the mirror in place while the other measures and marks the placement.

- Hold the mirror flush against the wall in the desired position.
- Mark the center width of the mirror on the top edge of the mirror frame with a pencil.
- Set the mirror aside.
- Measure and mark 4-1/4" (10.8cm) down from the center width mark. This mark is the center width for the hanger.
- Hold the center of the hanger at the marked point for the hanger. Make sure the largest side of the hanger is facing against the wall, as illustrated.
- Make sure the hanger is level, then drill through the pre-drilled holes in the hanger. Use a drill bit that will accommodate the size of the fasteners (not provided).
- If the pre-drilled holes were not drilled into the wall studs, insert anchors into the pre-drilled holes.
- Secure the hanger to the wall with the fasteners.
- Carefully hang the mirror on the wall so the pre-installed mirror hanger is centered on the mounted hanger. The hangers must interlock.

## 镜子安装

### 重要!!

必须有旁人帮助当你决定要安装镜子时，一人必须抓住镜子当另一人在测量和作安装记号时。

- 抓紧镜子使其平齐在墙面上的安装位置。
- 用铅笔在镜子顶边中间作一记号。
- 把镜子放旁边。
- 在原记号点下10.8cm处作一新记号，这一新记号就是挂条的中心位置。
- 对准挂条的中心点与所画新记号，确定挂条的大面贴墙，如图所示。
- 确保挂条水平，然后按照挂条上的预孔在墙体上钻孔，用紧固件所推荐的钻孔尺寸。
- 如果墙体孔不适合紧固件直接装入请塞入膨胀螺栓。
- 确定挂条已被紧固住。
- 小心的挂上镜子在墙上，镜子背面的挂条应与安装在墙面上的挂条互锁。

## USER MAINTENANCE

## 日常维护



### Warn! Risk of product damage.

1. Many cleansers contain abrasive and chemical substance which is not suitable for cleaning stainless steel, enamel, plating or plastic products. You may use mild cleansers or soaps to clean the surfaces. Wipe any splashes of cleaner solutions from the surface with clean soft cloth.
2. Maintain ventilation in the bathroom, and separate the dry area from the damp one if conditions permit. Try to open the door and windows of the bathroom and maintain good ventilation.
3. Kohler bathroom cabinet are dealt with strict procedures for damp-proof, whose good damp-proof function ensures good performance even in bathroom of huge humidity. Yet do not splash and pour water directly on the bathroom cabinet. Make sure that the bathroom is not over damp and wipe any splashes from surfaces immediately.
4. Maintenance of door board: Clean and wipe door board regularly, and wipe the condensation vapor with dry and soft cloth.
5. Ensure that electrical connections for appliances such as head lamp is insulated; wipe mirror surface with chamois regularly to guarantee the persistent excellent performance.
6. Please do not sit, lean or step on the cabinet.
7. If any fixtures caused by abnormal reasons, Kohler China can supply paid replacement for service parts caused by abnormal reasons as shown in the next page in the limited duration of warranty.



### 警告! 小心产品受损

1. 许多清洁剂都含有研磨剂及化学物质，不可用于清洁不锈钢、搪瓷、镀层或塑料制品。这些表面须使用温和的清洁剂或皂液进行清洁，将残余洗涤剂洗干净，然后用干净的软布擦干。
2. 卫生间请保持良好的通风状态，有条件的可以干、湿分离，平常尽量保持浴室空气畅通，养成开窗开门的习惯。
3. 科勒浴柜都经过严格的防潮处理，其良好的防潮性能可以保证在相对湿度很大的浴室里有良好的使用性，但使用时仍然不可以随意任浴柜被水浇、溅。所以请避免卫生间过于潮湿，遇有水迹要及时擦干。
4. 门板的保养：经常定期清洁、擦拭，洗浴后的冷凝水蒸气应用干燥的软干布擦净，保持门板的干爽
5. 照明灯电器连接要确保绝缘、防潮；镜面最好用麂皮经常擦拭，可以保障使用质量经久如一。
6. 请勿坐、倚靠、踩踏在浴柜上。
7. 科勒公司确保在担保期内，可以提供因非正常原因造成的如下页中零件的有偿更换。

# KOHLER®

## 科勒®厨卫经典

### 曼诗 MERSING

维修零件图

SERVICE PARTS PAGE

镜子

MIRRORS

K-2460T

