

2" MIN. NOTE: For Bravura™ Widespread and  
Cirrus™ Sheetflow, 2-1/2" MIN.  
最少51mm 注意: Bravura™ Widespread 龙头及  
Cirrus™ Sheetflow龙头最少64mm

☉ OF FITTING 龙头中心线

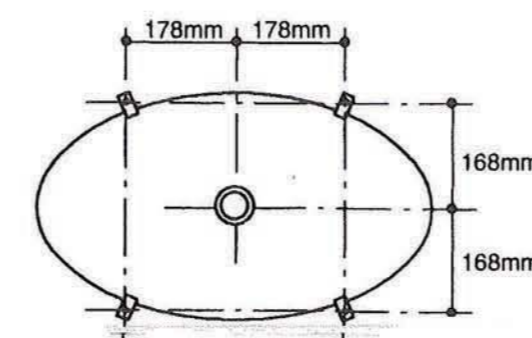
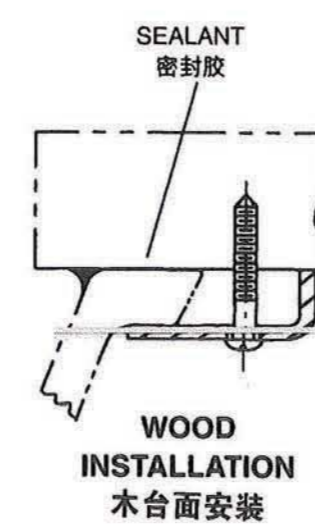
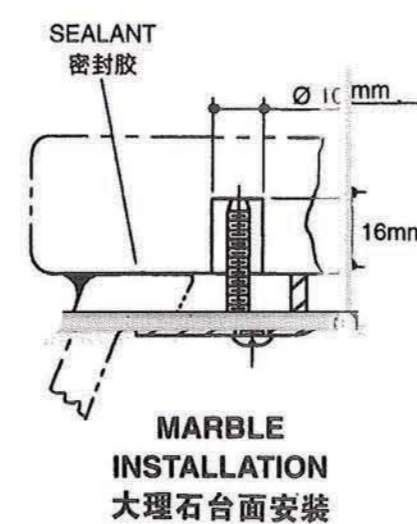
2"  
51mm

# 科勒 KOHLER®

K-2240

VINTAGE™ VITREOUS CHINA 温蒂斯 釉面陶瓷  
UNDERCOUNTER LAVATORY 台下脸盆

TEMPLATE  
INSTALLATION  
INSTRUCTIONS  
切割图  
安装说明书



IMPORTANT: 52047 basin clamp assembly supplied can ONLY be used on countertops with a minimum thickness of 1". Installer must supply anchors for thinner countertops.

注意: 随本产品提供的52047围定钳组只适用于厚度不少于25mm的台面。若安装于较薄的台面上, 安装者必须自行配备适合之固定钳。

DIMENSIONS ARE FOR KOHLER FAUCETS ONLY. WHEN USING OTHER FAUCETS, CONTACT SUPPLIER FOR INSTALLATION INSTRUCTIONS AND DIMENSION.

这些尺寸只适合安装科勒龙头。若使用其它龙头, 请向供应商查询安装说明及尺寸。

FAUCET 龙头	VALVE HOLES 阀孔	SPOUT HOLE 出水咀孔
4" C/C 4寸中	30mm	30mm
8"-12" C/C 8寸-12寸中	35mm	30mm

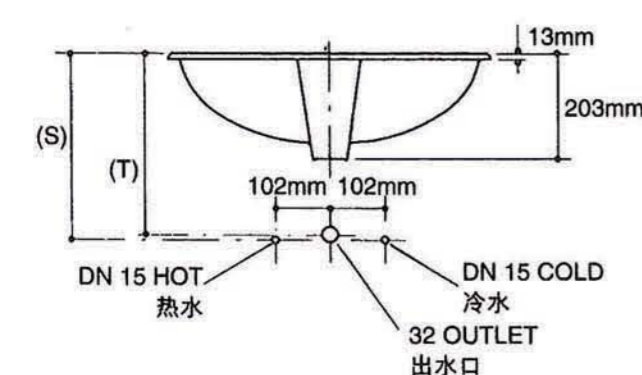
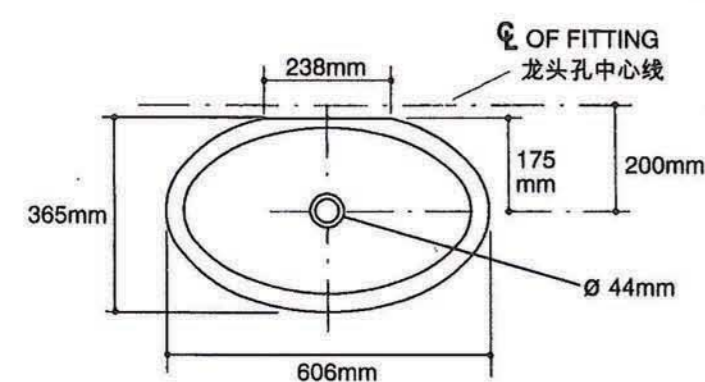
NOTE: WATERPROOF UNPROTECTED OVERHANG AREA ON THE UNDERSIDE OF THE WOOD COUNTER.

注: 木台面底部伸出在面盆外的部份必须进行防水处理。

OUTLET LOCATION: For pop-up drain, 5-5/8" is typical from bottom of lavatory to centerline of drain outlet.

出水口位置: 若使用凸出排水组, 面盆底部至出水口中心线的距离一般为143mm。

CUT ON THIS LINE  
沿此线切割



Fixture dimensions are nominal and conform to tolerances in ASME Standard A112.19.2M.  
(T) Pop-up drain 346mm.  
(S) 356mm (Based on 305mm riser which may require cutting).

所示尺寸为标定值, 符合美国ASME A112.19.2M标准公称  
(T) 凸出排水口346mm  
(S) 356mm(按305mm冒口计算, 或许需要切割)

112603-2P-AA

© 版权为科勒中国有限公司所有, 1999。  
COPYRIGHT© 1999 KOHLER CHINA LTD.