

### BEFORE YOU BEGIN

- Please read these instructions carefully to familiarize yourself with the required tools, materials, and installation sequences. Follow the sections that pertain to your particular installation. This will help you avoid costly mistakes. In addition to proper installation, read all operating and safety instructions.
- All information in these instructions is based upon the latest product information available at the time of publication. Kohler China reserves the right to make changes in product characteristics, packaging, or availability at any time without notice.
- These instructions contain important care, cleaning, and warranty information - **please leave instructions for the consumer.**

### 安装之前

- 请通读本说明书，以便了解所需工具、材料及安装程序。请遵照相关章节进行安装，以避免由于安装不当而导致不必要的损失。除了有关正确的安装方法之外，还务请详阅所有操作及安全说明。
- 本说明书所含一切资料，均以印刷时所有的最新产品为准，科勒中国保留随时更改产品特性、包装或供应情况的权利，恕不另行通知。
- 本说明书也包含了有关护理、清洁及保养等重要资料 - 请交予用户保存。

### NOTES

- Observe all local plumbing and building codes.
- Remove the components from the carton and inspect them for damage.

### 注意事项

- 留意所有本地管道和建筑标准。
- 从安装盒拿出部件，检查是否有损坏。

### TOOLS AND MATERIALS REQUIRED (Not Supplied)

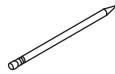
### 所需工具及材料(不随货供应)



Safety Glasses  
安全眼镜



Tape Measure  
卷尺



Pencil and Marker  
铅笔



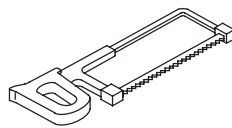
Pliers  
老虎钳



Drill  
钻孔机



Phillips Screwdriver  
十字螺丝起子



Hacksaw  
钢锯

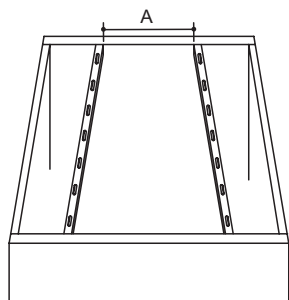
Conventional wood working tools and materials.

木工常用工具材料。

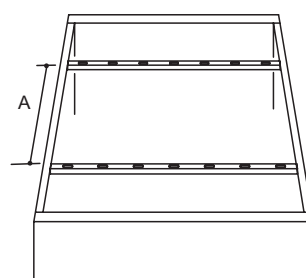
Model	Sink Dimension	Inside Distance Between Rails, Side to Side Installation Dimension A	Inside Distance Between Rails, Front to Back Installation Dimension A
K-5904T	1092×559×254	1062	529
K-17251T	838×470×220	808	440
K-11021T	810×470×220	780	440
K-17250T	838×470×220	808	440
K-5931-4U(Undercounter)	838×559×220	808	529
K-5814	838×559×220	808	529

UNIT: mm  
单位: 毫米

Side to Side Installation  
边至边安装



Front to Back Installation  
前至后安装



INSTALLATION

安装

RAIL SHELF FOR CAST IRON SINK

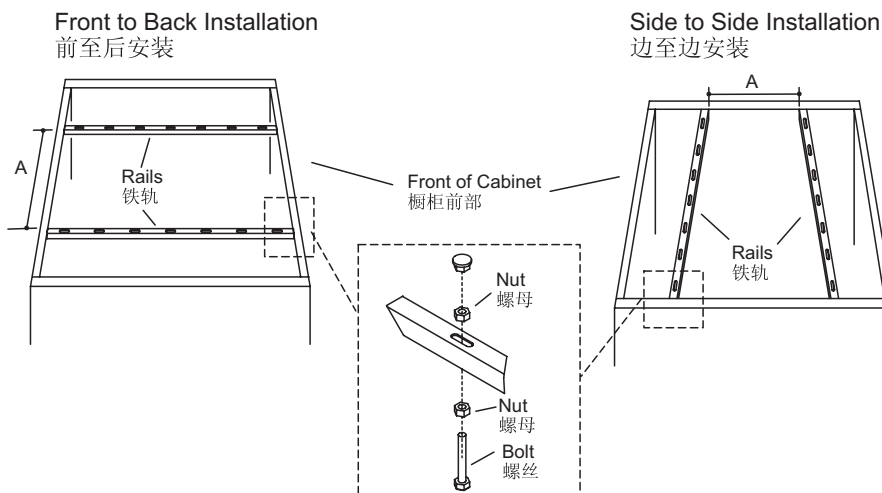
厨盆支架

1. Determine the Mounting Position

1. 确定安装位置

- Depending on how the railshelf will be installed, determine the front-to-back or side-to-side length of the inside of the cabinet.
- If necessary, cut the railshelf rails up to 1/2" (13 mm) less than the determined length.
- Thread the adjusting bolts into the nuts two turns and then slide the nuts to the slot on the rails. Slide the nut and bolt to the position desired in the openings of the rails.
- Determine the exact positioning of the mounting clips. Consult the dimensional information to determine Dimension A. The rails may run from the front to back or from side to side of the opening.
- Mark the screw placement on the cabinet.
- Drill 1/8" (3 mm) starter holes where marked.

- 根据支架的安装方式是从前到后还是从边到边，确定支架在厨柜里的长度。
- 若有必要，切割支架比上述确定长度短1/2"(13mm)。
- 将调节螺丝拧进螺母两圈，然后滑动螺母到支架的腰型槽上，使螺母和螺丝放到支架腰型槽处想要的位置。
- 确定支架的支撑夹子精确的位置，考虑空间的情况确定尺寸A，支架可能是从前到后或从边到边的安装方式。
- 在柜子上标记螺丝安装位置。
- 在标记位置钻3mm孔。



K-18414T-NA/K-18415T-NA

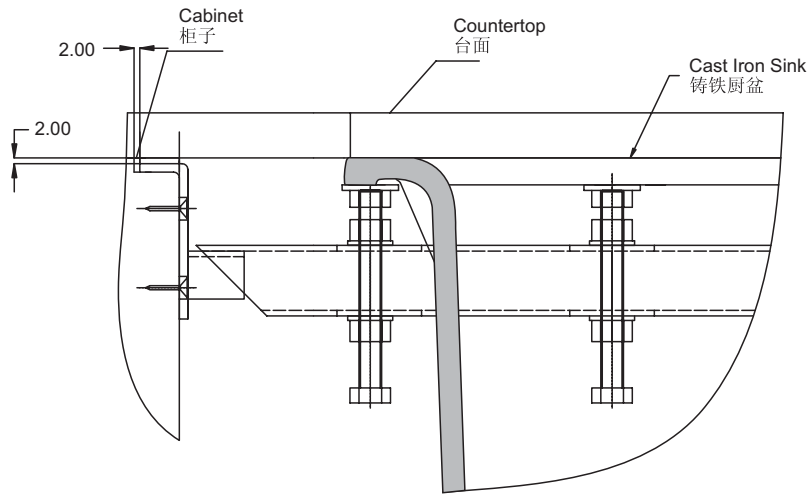
## 2. Install the Rail Shelf

**NOTE:** Depending upon the cabinet style, you may need to notch the top of the cabinet frame for the mounting clips so they sit flush with the top of the cabinet.

- Thread the mounting clips into the side of the cabinet.
- Lower the rail onto the mounting clip arms.
- Attach the bolt caps to the bolts.

### Installation of the Undercounter Sink

- Carefully lower the sink onto the undermounter rails.
- Adjust the rail shelf, upside surface of the rail shelf the same level with nether surface of the cabinet.



Installation of the Undercounter Sink  
台下盆安装方法

## 2. 安装底部支架

注意：根据橱柜的款式，可能需要在橱柜架的顶部割出凹槽，使安装支架装入后能和橱柜顶部齐平。

- 将支架装入橱柜的侧边。
- 将铁轨放到支撑夹子的支架臂上。
- 安上螺丝盖。

### 台下盘安装

- 小心地将厨盆放到底部支架铁轨上。
- 用可调节螺丝抬高厨盆，使厨盆上表面与台面下表面齐平。

### Installation of the Upcounter Sink

- Adjust the adjustment bolts to the same level with the underside of the countertop.
- Cover the countertop.
- Carefully put the sink on the countertop.

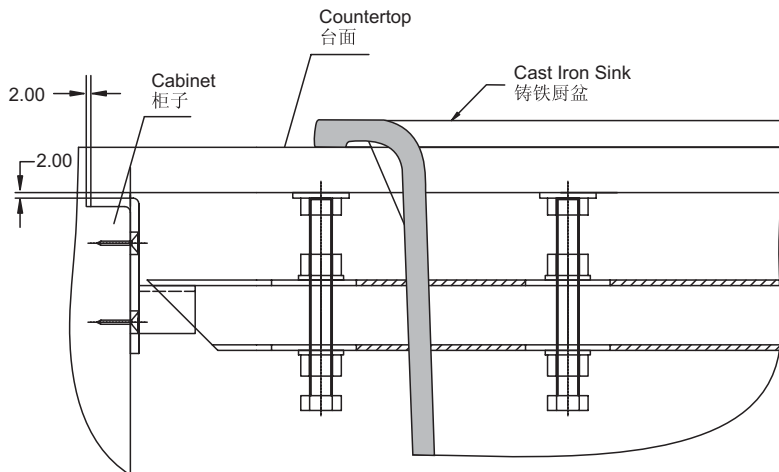
**NOTE:** Sealant should be used where the sink comes into contact with the underside of the countertop.

### 台上盘安装

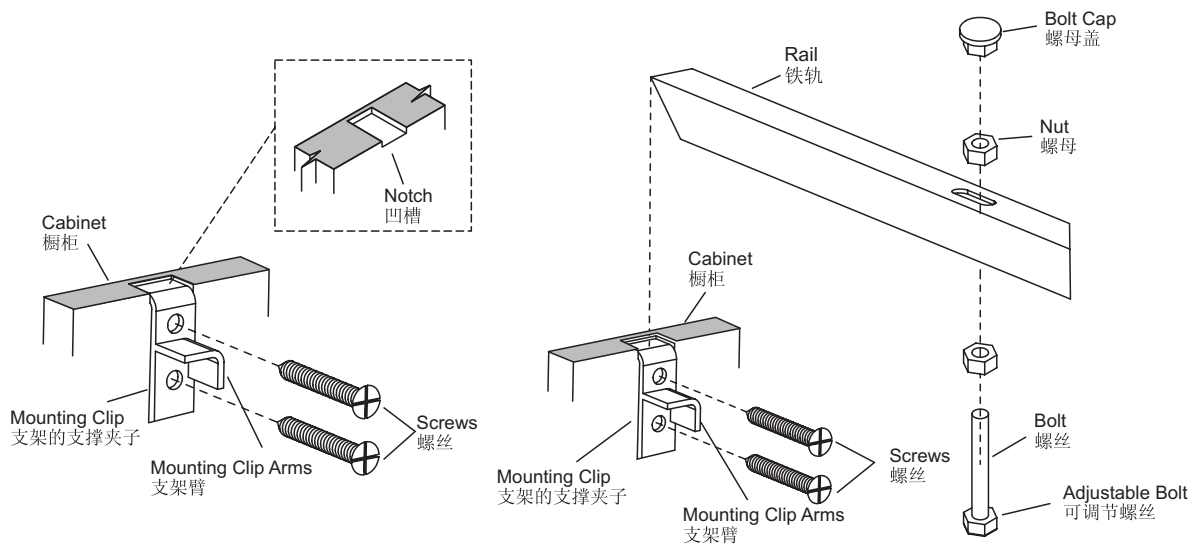
- 调节调节螺丝，使调节螺丝上表面与台面下侧齐平。

- 盖上台面。
- 小心将厨盆放在台面上。

注意：在厨盆与台面上/下侧接触的部位涂密封胶。



Installation of the Upcounter Sink  
台上式安装方法



K-18414T-NA/K-18415T-NA

## TRIANGLE-FRAME SHELF FOR CAST IRON SINK

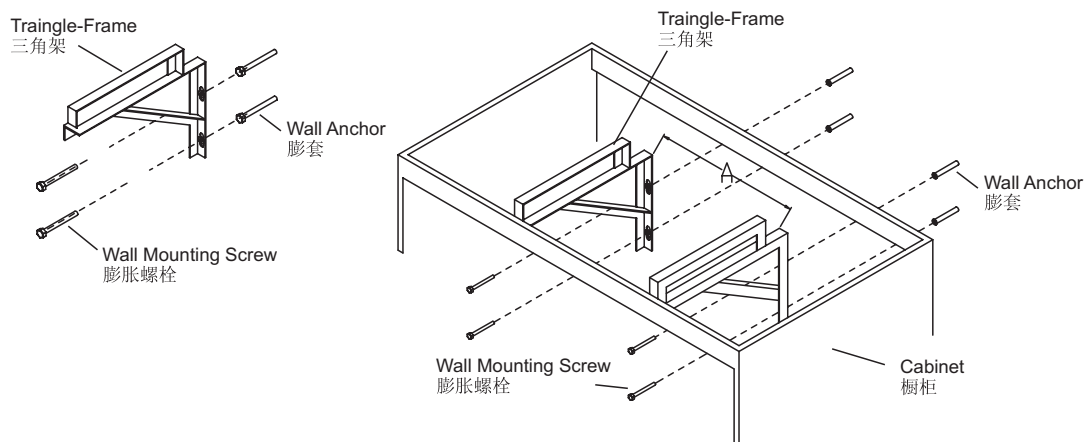
## 三角厨盆支架

### 1. Determine the Installation Position

### 1. 确定安装位置

- Determine the dimension A, see dimension chart Front to back installation.
- Install the triangle-frame shelf to the position desired, The height of the upper surface of the triangle-frame shelf is cabinet's nether surface's height. (Installations of the upcounter sink)  
The height of the upper surface of the triangle-frame shelf is sink's nether surface's height. (Installations of the undercounter sink)
- Mark the installation position of the bolts on the wall and drill starter holes where marked.

- 确定尺寸A，见前尺寸图的前至后安装方式。
- 将固定用的三角支撑架安装到预定位置，固定三角支撑架上表面应是期望厨柜台面的下表面平齐(台上盆安装方式)  
固定三角支撑架上表面应是期望厨盆边缘的下表面平齐(台下盆安装方式)
- 在墙壁上标记螺丝安装的位置，并钻孔。



K-18408T-NA

## 2. Installation the Triangle-frame Shelf

- Drill hole on the wall mounting screw and install the wall anchor in the hole.
- Install triangle-frame shelf and wall mounting screw.

### Installations of the undercounter sink

- Carefully lower the sink onto the triangle-frame shelf.
- Adjust the triangle-frame shelf to raise sink and level nether surface of the cabinet.

### Installations of the upcounter sink

- Adjust the triangle-frame shelf, upside surface of the triangle-frame shelf should be the same level with nether surface of the cabinet.
- Cover the counter.
- Carefully lower the sink onto the cabinet.

**NOTE:** Sealant should be used where the sink comes into contact with the underside of the countertop.

## 2. 安装底部支架

- 在墙壁上钻膨胀螺栓的孔,然后在孔中打入涨套。
- 装上支架和调节螺丝。

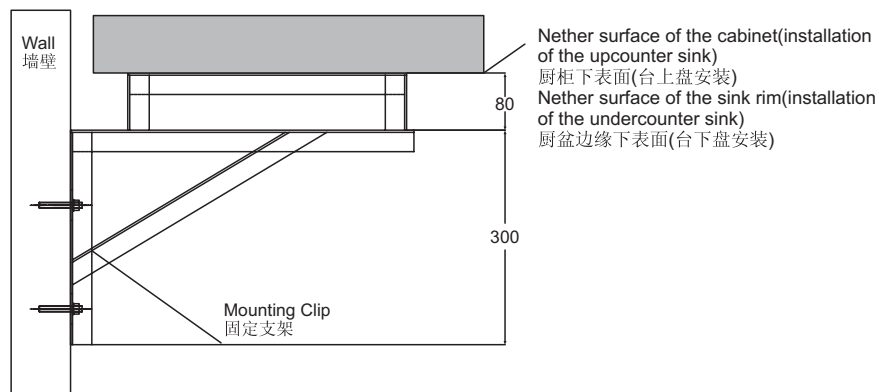
### 台下盘安装

- 小心地将厨盆放到底部三角支架上。
- 可调节三角支架抬高厨盆,使厨盆上表面与厨柜下表面平齐。

### 台上盘安装

- 可调节三角支架,使三角支架上表面与厨柜台面下表面平齐。
  - 盖上台板。
  - 小心地将厨盆放到厨柜台面上。
- 注意: 在厨盆与台面上下侧接触的部位涂密封胶。

UNIT: mm  
单位: 毫米



K-18408T-NA

## LIMITED ONE-YEAR WARRANTY (FOR CHINA MAINLAND ONLY)

## 一年有限担保 (仅针对中国大陆地区)

### Plumbing Fixtures and Fittings Limited One-year Warranty

Kohler plumbing fixtures and fittings are warranted to be free of manufacturing defects.

This product is warranted for one year from date of purchase. Kohler China will be responsible for any problems caused by manufacturing defects provided with the invoice. Kohler China will, at its election, repair, replace or make appropriate adjustment where Kohler China inspection discloses any such defects occurring in normal usage within one year after purchase.

Implied warranties including that of merchantability and fitness for a particular purpose are expressly limited in duration to the duration of this warranty, Kohler China disclaims any liability for special, incidental or consequential damages. Damages to the product caused by misuse, abuse and installation that is not in accordance with the owner's manual are not covered by this warranty.

To obtain quick warranty service, please contact your dealer, or write to Kohler China. (Original sales receipt must be provided as the proof of purchase.)

Kohler China Investment Company Ltd.  
Central Customer Service Center  
19/F, Shanghai Square, 138 Huai Hai Road,  
Luwan District, Shanghai, PRC  
Zip Code: 200021

This is our exclusive written warranty.

### 陶瓷及浴缸产品及配件担保——一年有限担保

科勒公司担保其陶瓷及浴缸产品及配件在制造工艺上无瑕疵。

本产品自购买之日起即获得本公司一年的质量保证。在质保期内，凭购货发票，科勒公司将免费承担由制造质量引起的任何问题。经核查后，科勒中国有限公司有权决定是修理、更换、还是作适当的调整。

这里所指的担保，包括产品，都已明确地限制在该担保期之内。科勒中国有限公司对其后出现的损坏不负有任何责任。担保也不包括外观损伤、使用不当以及未按说明书安装的损失。

为获得快捷的担保服务，请联系您的销售商；您也可写信给科勒中国有限公司(请出示销售发票原件作为购货凭证)：

科勒(中国)投资有限公司  
中央客户服务中心  
上海市卢湾区淮海中路138号  
上海广场19楼  
邮编：200021

这是我们全部的书面担保。

## LIMITED ONE-YEAR WARRANTY (FOR ASIA, EXCLUDING CHINA MAINLAND)

Kohler plumbing fixtures and fittings are warranted to be free of manufacturing defects.

Kohler Co. will, at its election repair, replace, or make appropriate adjustment where Kohler Co. inspection discloses any such defects occurring in normal usage within one year after installation. **Kohler Co. is not responsible for installation costs.**

To obtain warranty service, contact Kohler Co. either through your Dealer or Plumbing Contractor or by writing Kohler Co., Attn: Consumer Affairs Department, Kohler, WI 53044 U.S.A.

**Implied warranties, including that of merchantability and fitness for a particular purpose, are expressly limited in duration to the duration of**

**this warranty. To the extent permitted by law, Kohler Co. disclaims all implied warranties including merchantability and fitness for a particular purpose. Kohler Co. disclaims any liability for special, incidental, or consequential damages.**

Some states do not allow limitations on how long an implied warranty lasts or the exclusion or limitation of incidental or consequential damages, so this limitation and exclusion may not apply to you. This warranty gives you specific legal rights. You may also have rights which vary from state to state.

This is our exclusive written warranty.

Kohler Co., Kohler, Wisconsin 53044