

BEFORE YOU BEGIN

- Please read these instructions carefully to familiarize yourself with the required tools, materials, and installation sequences. Follow the sections that pertain to your particular installation. This will help you avoid costly mistakes. In addition to proper installation, read all operating and safety instructions.
- All information is based on the latest product information available at the time of publication. Kohler China Ltd. reserves the right to make changes in product characteristics, packaging, or availability at any time without notice.
- These instructions contain important care, cleaning, and warranty information-**please leave these instructions for the consumer.**
- Please provide adequate available space for the bath unit in accordance with rough-in. Arrange the location of drain in advance.

IMPORTANT:

All installations must comply with council and local authority by-laws. It is the responsibility of the installer to ensure that the waste is made watertight by means of silicone sealant or caulking compound.

NOTE: Bath can be installed after the wall is completed. Bath drain supplies should be arranged preliminarily according to the selected bath.

安装之前

- 请仔细阅读此说明书以熟悉所需要的工具、材料及安装顺序。遵循适合您的特定安装要求的各项内容，避免昂贵的损失。除了要正确安装外，还应阅读操作及安全说明。
- 所有的资料是按最新出版的产品资料编写而成。科勒中国有限公司保留任何时候无须通知即可改变产品特性、包装或产品可供类型的权利。
- 说明书包括重要的安装、清洁及保养方面的内容，请把这些资料交给用户阅读。
- 请根据浴缸结构和尺寸预留相应安装空间，预排落水位置。

重要信息:

所有安装必须符合行业理事业会和地方政府的章程。安装人员有责任保证使用硅胶或填缝材料使污水不泄漏。

注意: 本浴缸可以在浴室墙面完工后安装。但请预先根据所选浴缸预排地漏，供水管。

PRODUCT REQUIREMENTS

A. Summary Of Key Requirements

- Observe all local plumbing codes.
- Install the unit to a level subfloor.

B. Product Inspection

Uncrate and inspect bath for damage. All Kohler's baths have been manufactured with sophisticated craftsmanship. However, please inspect for any possible damage that may have occurred in transit. Leave all materials in the crate during construction to prevent damage.

NOTE: Damage occurred during transit shall not be covered by warranty.

产品要求

A. 关键要求的总结

- 请遵守当地的卫生管道施工规范。
- 在水平的地板上安装浴缸。

B. 产品检查

小心地打开包装箱并检查浴缸是否损坏。本浴缸质量上乘。但在搬运过程中，可能会遭到损坏。请仔细检查。施工期间将所有的材料都留在箱内，以防止损坏。

注意: 搬运或安装过程中所造成的损坏将不能获得保修。

INSTALLATION REQUIREMENTS

安装要求

A. Tools Required B. Materials Required

- Adjustable pipe wrench
- Rule
- Level
- Safety shoes
- Safety glasses
- Square
- Screwdriver
- Pliers
- Utility knife
- Adjustable wrench
- Plumbers putty
- Wall coverings(as necessary)
- Silicone sealant
- Gypsum cement(optional)
- Construction adhesive (optional)
- Protective covering for bathtub
- Nails

A. 所需工具

- 管道扳手
- 刻度尺
- 水平仪
- 安全鞋
- 安全眼镜
- 直角尺
- 螺丝刀
- 钳子
- 多用工具刀
- 活动扳手

B. 所需材料

- 管道用油灰
- 墙面保护罩(如需要)
- 密封硅胶
- 石灰水泥(选用)
- 建筑粘胶(选用)
- 浴缸保护套
- 钉子

C. Clearance Requirements

Check the rough-in and room dimensions to provide adequate available space for the bath unit.

C. 预留尺寸

检查安装尺寸及浴室尺寸，确保有充分的空间安装浴缸。

SITE REQUIREMENTS

场所要求

A. Subfloor Preparation

Check the flooring under the bath, and make repairs as needed. Make sure the subfloor is level.

A. 底层地板的准备

检查浴缸下的地面，若需要请进行修补。请确保底层地面水平。

BEFORE INSTALLING UNIT

安装浴缸之前

A. Protect the Bath Unit

Position a protective covering or similar material in the bottom of the unit. Be careful not to scratch the bath surface.

A. 保护浴缸

在浴缸表面盖上保护套或类似的材料，小心不要划伤浴缸表面。

A. Locate the bath in the proposed position

Adjust the feet under the bath to make it level. Tighten the nut to fix the height of the bath.

IMPORTANT:

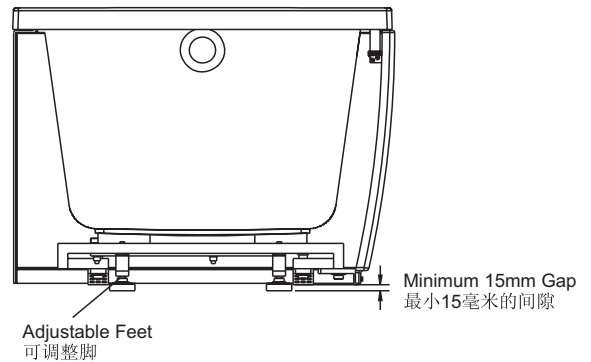
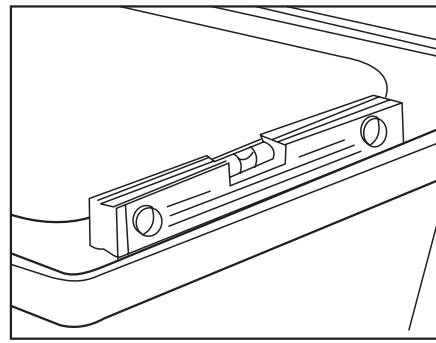
- The bath must be installed level on all top edges. Floor should be flat, level and free of any bumps or protrusions.
- Keep the clearance of minimum 15mm from floor to the apron for installing the apron. Be careful with the drain hose to prevent it to be squeezed.

A. 将浴缸放在合适的位置

调整浴缸底部可调支撑脚使浴缸达到水平位置。最后拧紧螺母，就可以固定浴缸高度。

注意：

- 浴缸必须水平安装。底层地板必须水平。不得有凹凸不平的现象。
- 为了安装裙板，浴缸的裙板离地最少15毫米的间隙。注意避免排水管受挤压。



B. Plumbing Installation

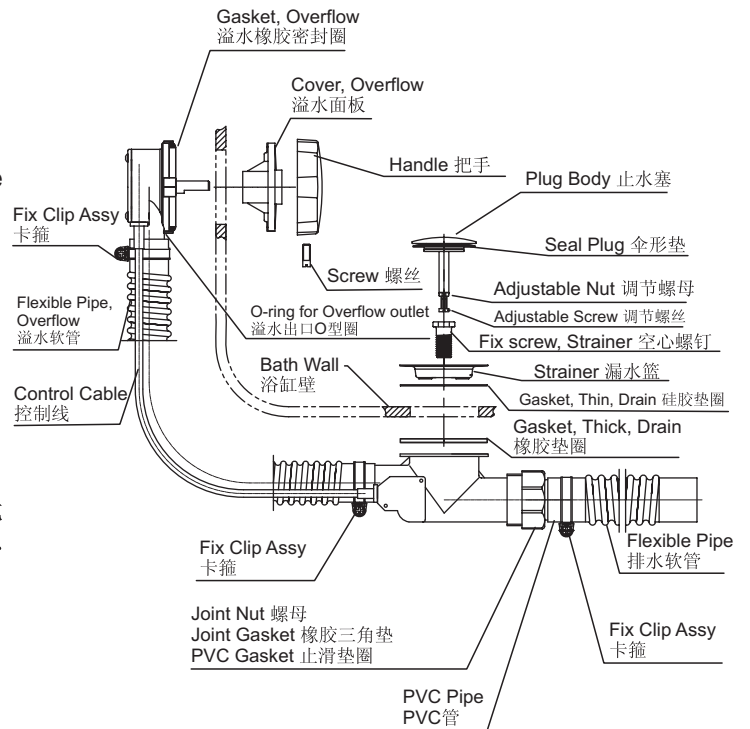
CAUTION: Risk of damage to bath bottom and subfloor.

- 1). The drain has been installed onto the bath before it leaves factory. Fill the bath with water before the bath is securely positioned so as to check the supply connections for leaks. Kohler Co. shall not be liable under its warranty or otherwise for damage caused by negligence.
- 2). When the bath is securely positioned, connect the drain to the trap and apply silicone sealant.

B. 安装卫生管道

注意：避免损坏浴缸底部和底层地板。

- 1). 浴缸排水在出厂之前已为您安装在浴缸上。在浴缸就位前请注水再次仔细检查各接头处是否有渗漏。疏忽导致的损坏，不能获得工厂的保修。
- 2). 当浴缸就位后，将排水管与地漏相接，用硅胶密封。



C. Install and Remove the Apron

If the apron needs removing, please follow the steps below:

- 1) Remove the screw cap and loosen the screw.
- 2) Push the upper part of the apron inwards, pull down the apron and it can be removed easily.
- 3) When installing the apron, insert the top of the short apron into the enclosure, and push it upwards, then insert the top of the long apron into the enclosure, and later fix and cap the screws.

C. 安装拆卸裙板

如果需要拆卸裙板，请遵循如下步骤：

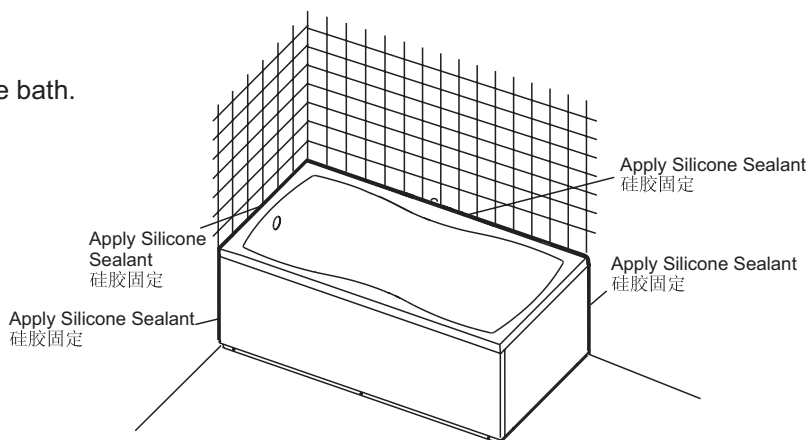
- 1). 拿掉螺丝盖帽，拧下螺丝。
- 2). 裙板上部稍稍往里推一点，把裙板往下移，裙板便拆下来了。
- 3). 安装裙板时，先把短裙板部分上部插入浴缸围边向上推，后把长裙板部分上部插入浴缸围边，然后拧上螺丝，盖上螺丝帽。

D. Apply Sealant

1. After the bath is fixed, apply sealant around the bath.

D. 硅胶密封

1. 浴缸就位后，浴缸周围施以硅胶密封。



IMPORTANT CONSUMER INFORMATION 重要的用户资料

Cleaning and Care

Cleaning Acrylic Surfaces: Do not use abrasive cleansers on any acrylic surfaces, as they will scratch and dull the surface. Wipe out the bath after each use to prevent a build-up of soap and scum.

If the acrylic surface becomes dull, an automotive type rubbing compound *may be used on the unit, followed by an application of paste wax.

*We recommended:

Rubbing compound mequiars mirror glaze 28 metal polish (import product) or "green oil".

清洁和保养

清洗压克力表面：请勿在压克力表面使用磨损性的清洁用具，以免擦伤浴缸表面，使其失去光泽。每次使用后，将浴缸擦干，以防止肥皂和污垢沉积。

若压克力表面失去光泽，先用汽车抛光剂*，然后再用粗腊打亮。

*我们推荐使用以下2种抛光剂：

- ① Mequiars 镜面光亮28金属上光剂。(进口)
- ② 抛光膏(绿油)。