

安装说明

浴室挂镜

记录您的型号:

Record your model number: _____

English, page 11

KOHLER[®]

1668202-T2-A

感谢您选择科勒

需要帮助？请联系我们的客户服务中心。









- 中国大陆：+(86) 800-820-2628, +(86) 400-820-2628
- 保养和清洁：kohler.com.cn/support/care-and-cleaning/

质保

本产品[®]在科勒®卫浴产品的3年有效质保范围内，详见所附的《合格证》。

重要安全说明

在安装或使用本产品之前阅读所有说明。

-  **警告：** 使用电气产品时，务必始终遵守基本注意事项，包括如下风险：
-  **警告：** 存在触电风险。仅连接到受漏电保护器 (RCD) 保护的已妥善接地的专用电路。请使用 AC 220 - 240 V、50-60 Hz、15 A 电路。请勿拆下接地引脚或使用接地接头。
-  **警告：** 存在触电风险。产品布线均须由资质合格的电工操作。安装不当会造成电气危害，也可能违背地方建筑和电气规范。
-  **警告：** 存在触电风险。维修前先断开电源。
-  **小心：** 存在触电风险。可能需要迁移电气布线的位置。
-  **小心：** 存在人身伤害的风险。本产品很重，在提升和移动产品时应有人帮助，建议由两个人执行此安装。
-  **小心：** 产品或财产受损风险。挂镜的位置至关重要。确认镜子前无任何障碍物，确认在切割和/或钻孔过程中不会损坏完工墙后面的任何障碍物。
-  **小心：** 产品或财产受损风险。安装墙体须为实体墙，否则挂镜有掉落风险。请勿在挂镜上悬挂任何物品。请勿推拉或摇晃挂镜。

重要信息！ 重新布置相关的电线或水管。如果遇到排水管或通风管，或者承重墙，请先咨询专业人士再继续操作。

卫生间尽量保持空气畅通。请每次使用完后用蘸有清水的软湿布擦拭。请勿使用含研磨剂以及化学物质的清洁剂（如玻璃水、洗洁精、洁厕剂、酒精等）清洗产品。

请遵守当地管道安装、建筑及电气条例。

本产品符合 GB/T 24977-2024。

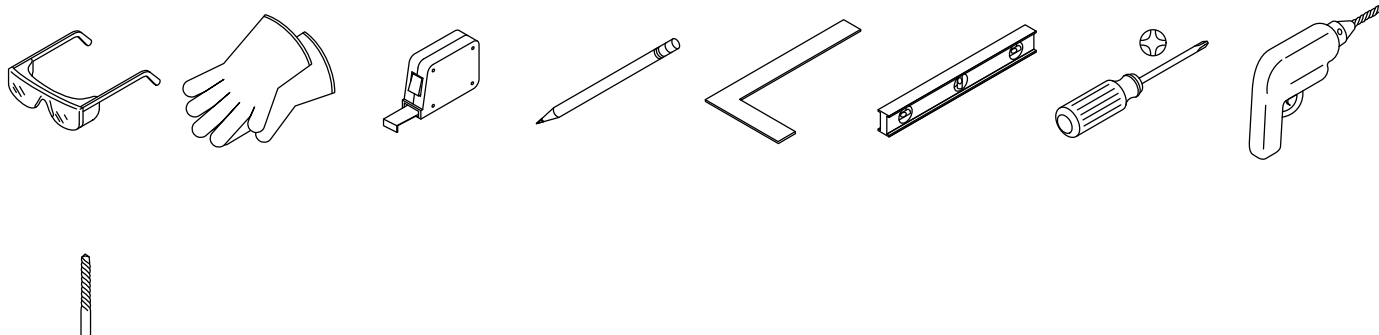
您的产品可能与所示图片效果有所不同。安装步骤相同。

保存说明书

产品信息

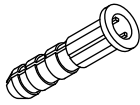
型号	描述	输入电压	定制最大功率	防雾膜功率	LED 功率
K-EX37980T-NA	安屿定制挂镜, 圆角矩形, 单层装饰框)	220 V/50 Hz	60 W/100 W/150 W	输入电压 24 V, 功率 10-45 W	输入电压 24 V, 功率 24-69 W
K-EX39859T-NA					
K-EX40050T-NA	安屿定制挂镜, 胶囊形, 单层装饰框			输入电压 24 V, 功率 10-30 W	输入电压 24 V, 功率 26-52 W
K-EX40047T-NA					
K-EX40051T-NA	安屿定制挂镜, 圆角矩形, 双层装饰框			输入电压 24 V, 功率 10-45 W	输入电压 24 V, 功率 24-69 W
K-EX39566T-NA					
K-EX40048T-NA	安屿定制挂镜, 胶囊形, 双层装饰框			输入电压 24 V, 功率 10-30 W	输入电压 24 V, 功率 26-52 W
K-EX39565T-NA					
K-EX37990T-NA	安屿定制挂镜, 胶囊形, 双层装饰框, 吊顶版	输入电压 24 V, 功率 10 W	输入电压 24 V, 功率 26-52 W		

工具和材料

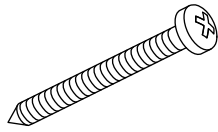


6 毫米钻头

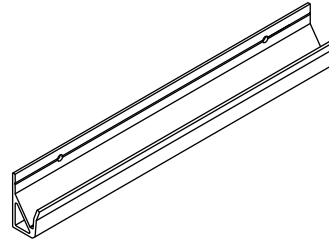
零件识别



膨胀胶粒
(10个)

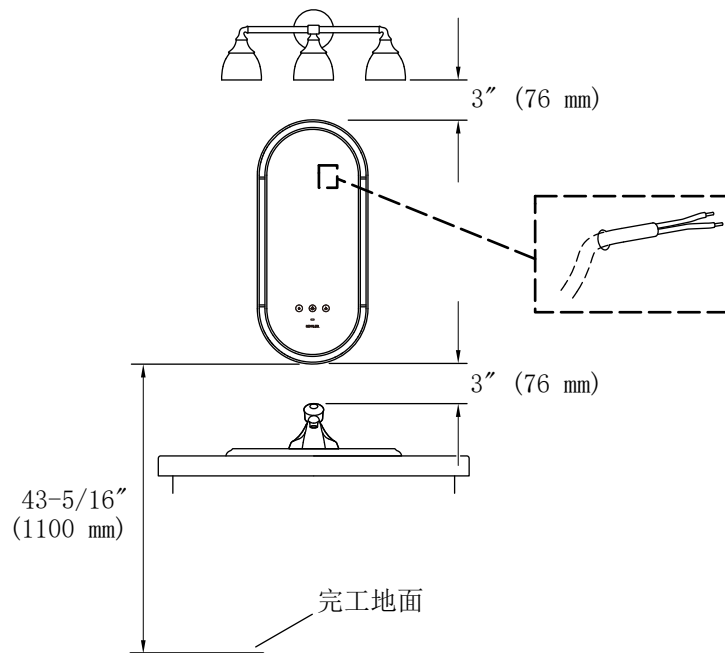


ST3.5×35 螺丝
(10个)



承托条
(1 或 2个)

1. 准备安装场地



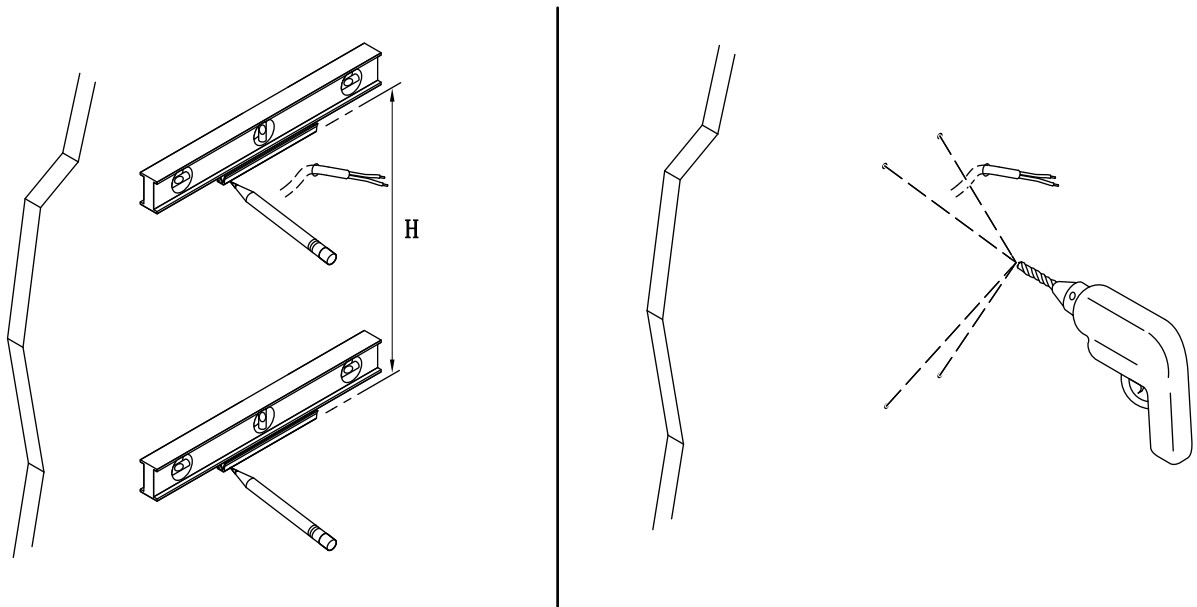
警告： 存在触电风险。执行以下程序前，请先断开电源。

警告： 存在触电风险。电气布线应当由资质合格的电工操作。

重要信息！ 请在挂镜安装位置后侧预留电线，以供后续连接挂镜。

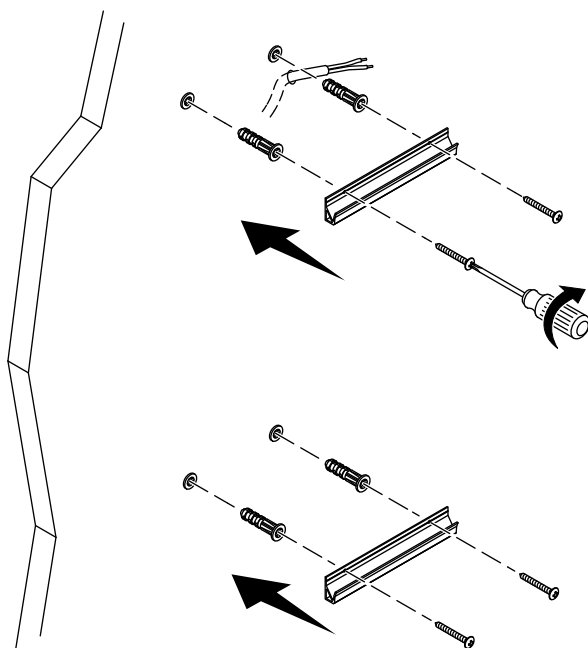
- 在确定产品的高度时，确认镜子前无任何障碍物（例如水龙头或灯具）。
- 如图所示，建议镜子安装位置与上方装饰物和下方水龙头预留至少 3"（76 mm）的距离。
- 镜子底部与完工地面的距离约为 43-5/16"（1100 mm）。

2. 标记打孔位置



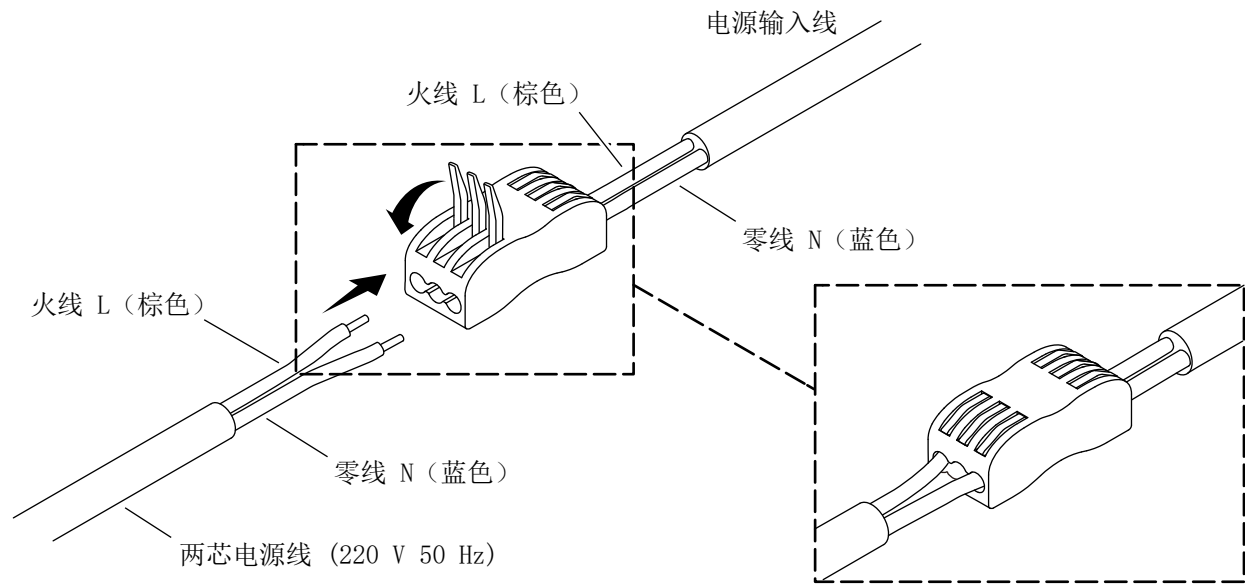
- 如图所示，将镜子对准墙面，确认安装位置后将镜子移走。
- 使用水平仪保持承托条水平。
- 测量并标记两侧承托条的安装孔位置。
 - 对于双承托条挂镜 **K-EX37565T/K-EX40047T**: $H = 24\text{-}1/4"$ (616 mm)
 - 对于双承托条挂镜 **K-EX37859T/K-EX40051T**: $H = 31\text{-}3/4"$ (806 mm)
 - 对于单承托条挂镜 **K-EX37566T/K-EX40048T/K-EX40050T/K-EX37980T**: 请确认合适位置标记孔位。
- 标记安装孔。

3. 安装承托条



- 在标记的安装孔位置钻直径 6 毫米，60 毫米深的定位孔。
- 安装随附的入墙胶粒。
- 使用随附的 ST3.5×35 螺丝固定承托条。

4. 连接电源线

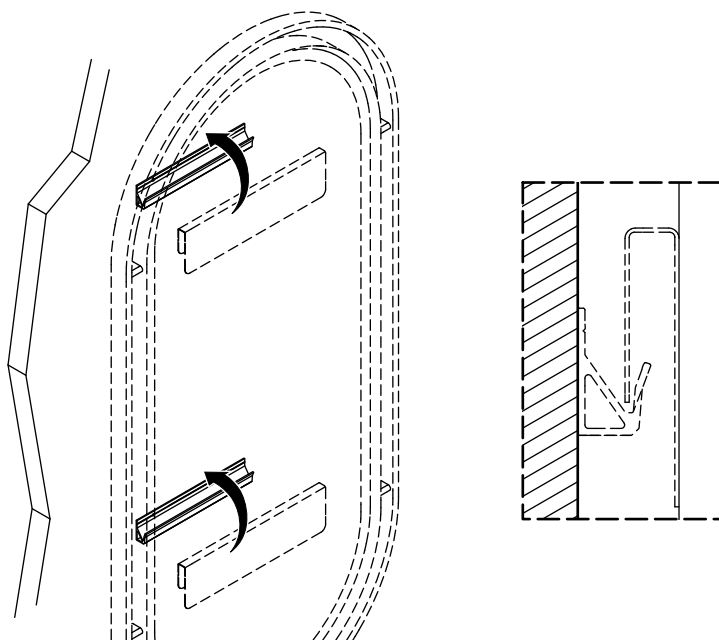


⚠ 警告：存在触电风险。所有电气连接均应由有资质的电工进行。

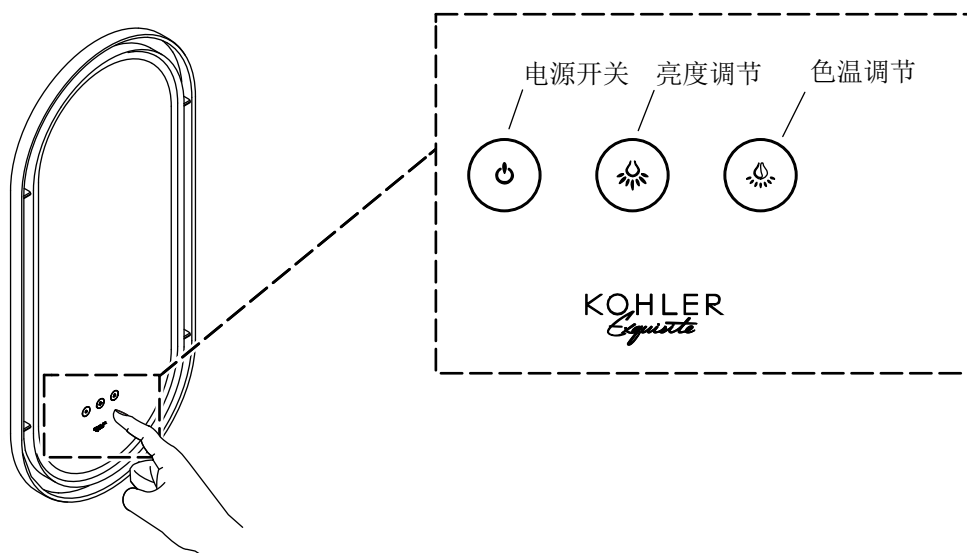
⚠ 警告：存在触电风险。执行以下程序前，请先断开电源。

□ 如图所示，将墙上的电源输入线与镜子的两芯电源线连接。

5. 安装镜子



- 抬起镜子挂至上下托架上，确保镜子与托架挂钩牢牢卡住。
- 左右调整镜子的位置（居中为佳）。



注：长按亮度与色温键，则两者在可调范围内可进行无级切换，用户可以随意选择所需的亮度与色温。

按键功能

按键	操作		状态
	单击	长按	
电源	镜灯与防雾膜开启/关闭	-	工作状态：点击时效果是蓝色。
亮度	亮度增强或减弱（四档循环）	在不同的档位间快速切换	-
色温	色温增强或减弱（三档循环）	在不同的档位间快速切换	-

- 通电后三个按键亮白光，灯亮。
- 在镜前再次点击电源键后，灯光缓慢熄灭，防雾膜延迟 30 分钟关闭。亮度及色温键熄灭，不可调节。

Installation Instructions

Bathroom Mirror

Thank You for Choosing KOHLER

Need help? Please contact our Customer Care Center.









- Mainland China: +(86) 800-820-2628, +(86) 400-820-2628
- Care and cleaning: kohler.com.cn/support/care-and-cleaning/

Warranty

This product is covered under the **Three-Year Limited Warranty for KOHLER® Plumbing Products**, found in the packed Compliance Certification.

IMPORTANT SAFETY INSTRUCTIONS

READ ALL INSTRUCTIONS BEFORE INSTALLATION

-  **WARNING: When using electrical products, basic precautions should always be followed, including the following:**
-  **WARNING: Risk of electric shock.** Connect only to a properly grounded dedicated circuit protected by a Residual Current Device (RCD). Use 220-240 V, 50-60 Hz, 15 A service. Do not remove the grounding pin or use a grounding adapter.
-  **WARNING: Risk of electric shock.** A qualified electrician must route all electrical wiring for the product. Improper installation will create an electrical hazard and may not comply with local building and electrical codes.
-  **WARNING: Risk of electric shock.** Disconnect the power before servicing.
-  **CAUTION: Risk of electric shock.** Electrical wiring may need to be relocated.
-  **CAUTION: Risk of personal injury.** This product is heavy. Get assistance lifting and moving the product.
-  **CAUTION: Risk of product or property damage.** The location of the mirror is critical. Verify that no obstacles (such as a faucet or light fixture) is in front of the mirror. Verify that any obstacles behind the finished wall will not be damaged during the cutting and/or drilling process.
-  **CAUTION: Risk of product or property damage.** Install the mirror on a concrete wall to prevent the mirror from falling. DO NOT hang any other items on the mirror. DO NOT pull or swing the mirror.

IMPORTANT! Reroute any electrical wires or water supply piping. If you encounter drain or vent piping or if your wall is load-bearing, consult a professional before proceeding.

Keep the bathroom as well-ventilated as possible. After each use, wipe with a soft damp cloth moistened with clean water. Do not use cleaners containing abrasives or chemicals (such as glass cleaner, dishwashing liquid, toilet cleaner, alcohol, etc.) to clean the product.

Follow all local plumbing, building, and electrical codes.

The product complies with GB/T 24977-2024.

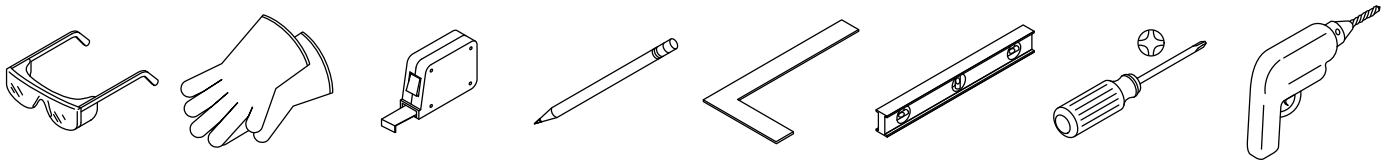
Your product may appear different from the one illustrated. The installation procedure is the same.

SAVE THESE INSTRUCTIONS

Product Information

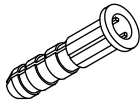
Model	Description	Rated Input	Customized Maximum Power	Defogger Power	Power for LED
K-EX37980T-NA	Encant Mirror, Rectangle, Single- layer Frame	220 V/50 Hz	60 W/100 W/150 W	Input: 24 V, Power: 10-45 W	Input: 24 V, Power: 24-69 W
K-EX39859T-NA					
K-EX40050T-NA	Encant Mirror, Capsule, Single-layer Frame			Input: 24 V, Power: 10-30 W	Input: 24 V, Power: 26-52 W
K-EX40047T-NA					
K-EX40051T-NA	Encant Mirror, Rectangle, Double- layer Frame			Input: 24 V, Power: 10-45 W	Input: 24 V, Power: 24-69 W
K-EX39566T-NA					
K-EX40048T-NA	Encant Mirror, Capsule, Double- layer Frame			Input: 24 V, Power: 10-30 W	Input: 24 V, Power: 26-52 W
K-EX39565T-NA					
K-EX37990T-NA	Encant Mirror, Ceiling Mount, Double-layer Frame	Input: 24 V, Power: 10 W	Input: 24 V, Power: 26-52 W		

Tools and Materials

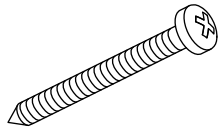


6 mm Drill Bit

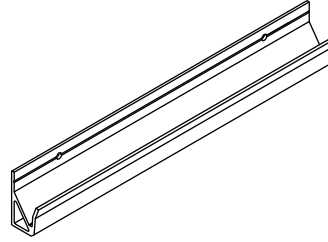
Parts Identification



Wall Anchors
(Qty 10)

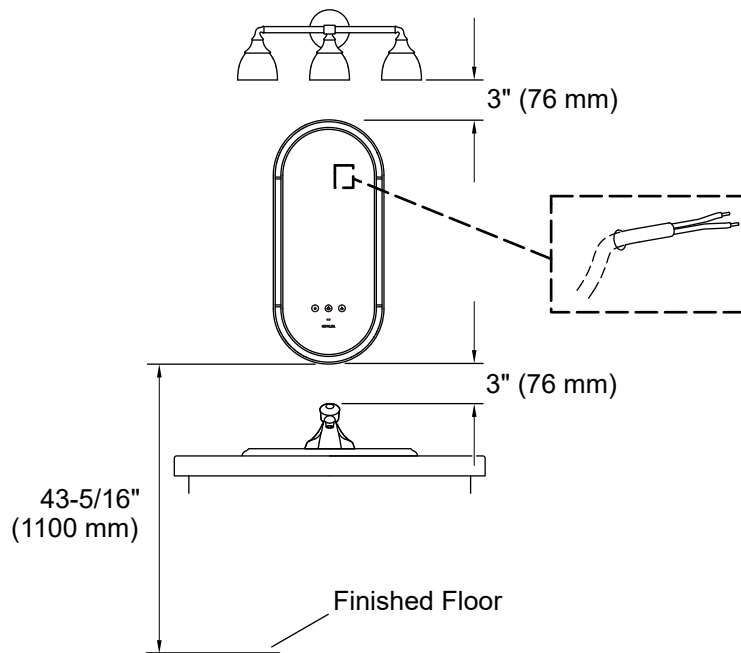


Screw ST3.5x35
(Qty 10)



Mounting Bar
(Qty 1 or 2)

1. Prepare the Site



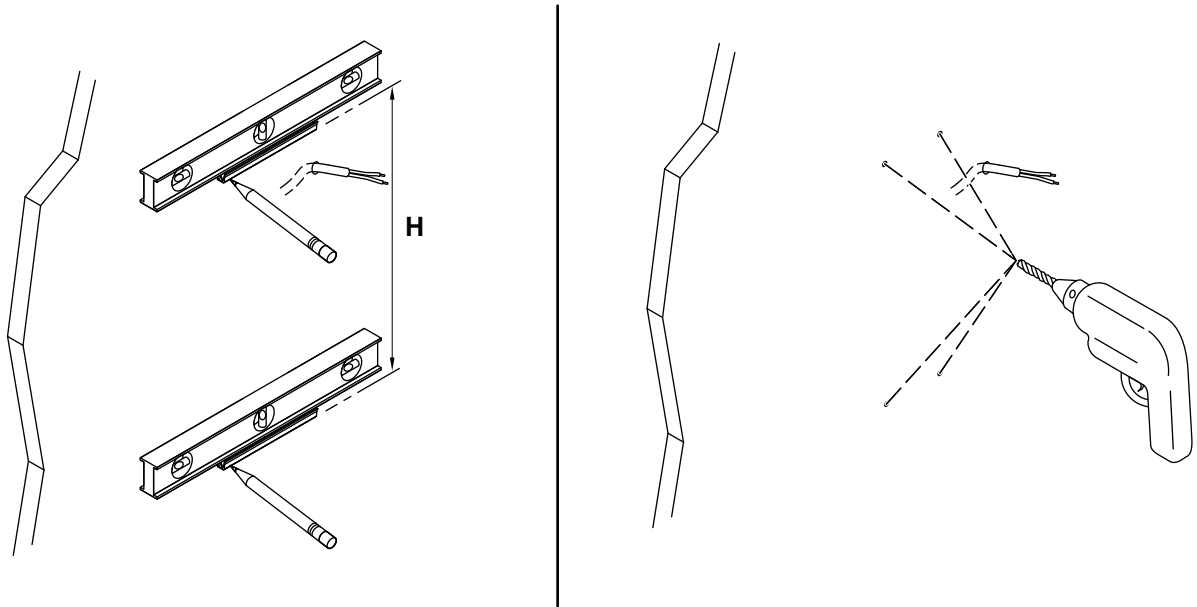
⚠ WARNING: Risk of electric shock. Disconnect the power before performing the following procedures.

⚠ WARNING: Risk of electric shock. A qualified electrician should route all electrical wiring.

IMPORTANT! Keep the electrical wire on the wall for electrical connection to the mirror.

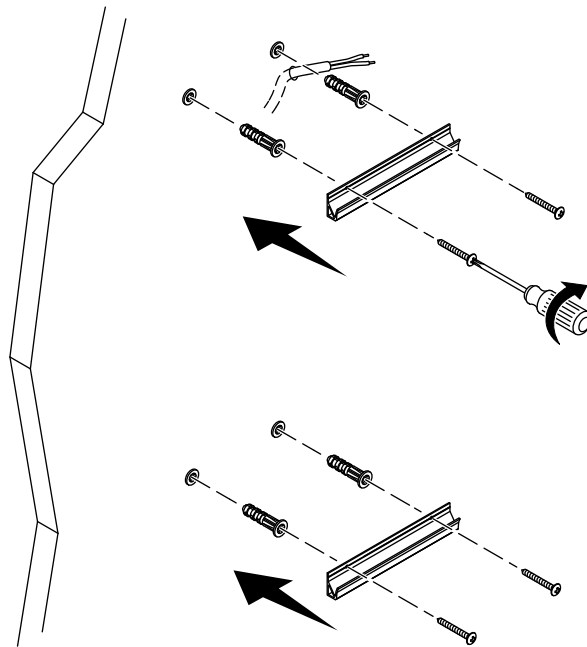
- When determining the height of the product, verify that the door will clear all obstacles (such as a faucet or light fixture).
- Keep a minimum distance of 3" (76 mm) from the trim above and the faucet below.
- The distance from the finished floor to the bottom of the mirror is about 45-5/16" (1100 mm).

2. Mark the Installation Holes



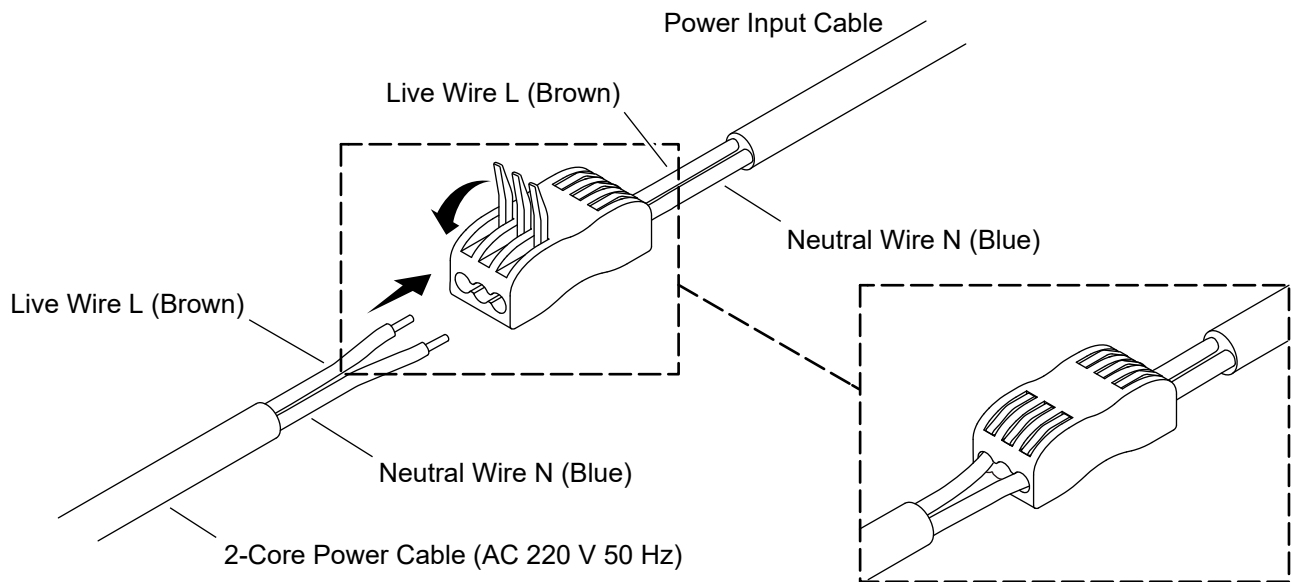
- Align the mirror with the concrete wall to confirm the installation location and remove the mirror.
- Align two mounting bars to the concrete wall using a spirit level.
- Measure and mark the installation height for two mounting bars.
 - For double-mounting bar **K-EX37565T/K-EX40047T** : $H = 24\text{-}1/4"$ (616 mm)
 - For double-mounting bar **K-EX37859T/K-EX40051T** : $H = 31\text{-}3/4"$ (806 mm)
 - For single-mounting bar **K-EX37566T/K-EX40048T/K-EX40050T/K-EX37980T** : Locate the installation position.
- Mark the installation holes.

3. Install the Mounting Bar



- Drill four inner diameter of 6 mm and a depth of 60 mm holes at the marked mounting-hole locations.
- Install the provided wall anchors.
- Use the provided ST3.5×35 screws to secure the mounting bars.

4. Connect the Electrical Wires

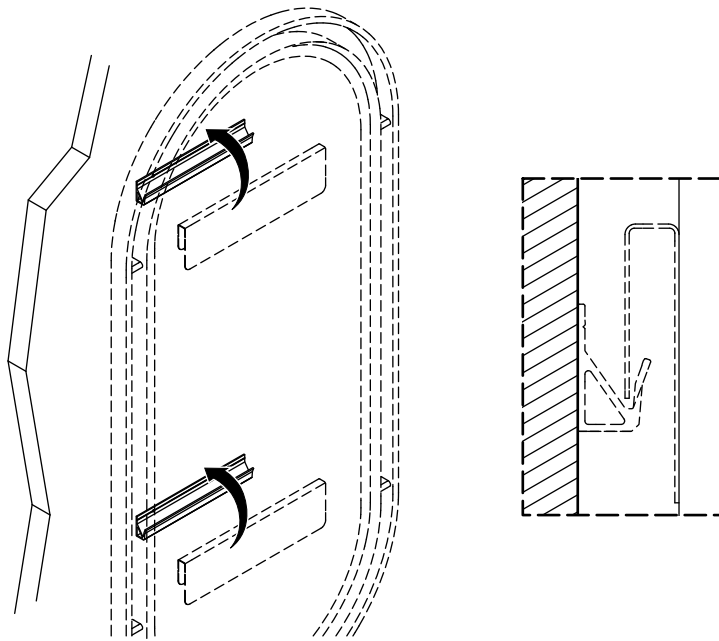


⚠ WARNING: Risk of electric shock. A qualified electrician should make all electrical connections.

⚠ WARNING: Risk of electric shock. Disconnect the power before performing the following procedures.

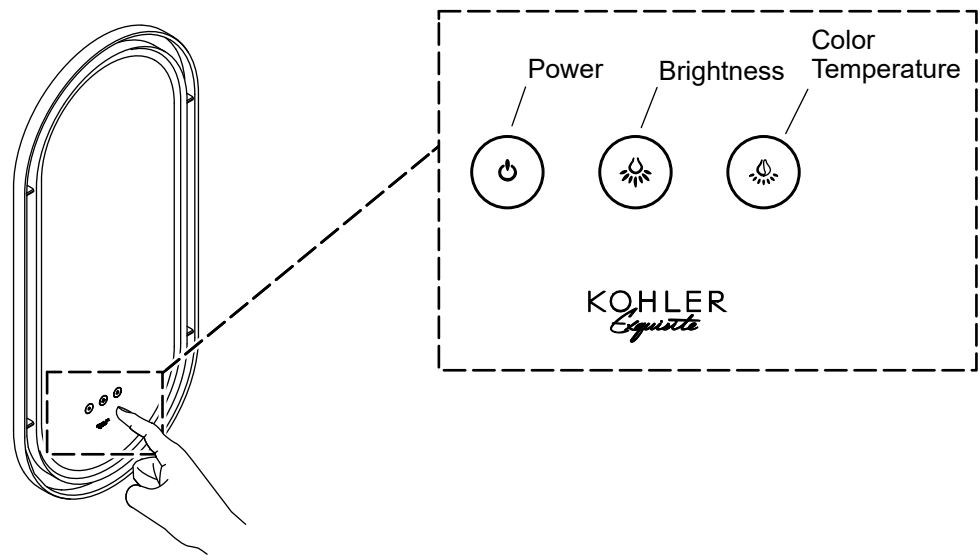
- Connect the power input cable from the wall to the 2-core power cable from the mirror as shown.

5. Install the Mirror



- With help, lift the mirror and set the both hangers onto the mounting bars. Verify that the hanger hook engages the mounting bar.
- Fine tune the mirror left and right to the correct position.

Operation and Modes



NOTE: In both Auto and Manual modes, users may adjust the brightness and the color temperature within the allowed levels by pressing the buttons. Users may freely select the desired brightness and the color temperature.

Function

Button	Operations		Status
	Single Click	Long Press	
Power	Light and Defogger ON / OFF	-	Running Status: Light white upon being pressed
Brightness	Brightness Enhancement or Reduction (Three-level cycle)	Quick switch between levels	-
Color Temperature	Color Temperature Enhancement or Reduction (Three-level cycle)	Quick switch between levels	-

- When the power is ON, the Power, Brightness, and Color Temperature buttons illuminate white.
- When the power button is pressed again, the mirror light turns OFF and the defogger turns OFF automatically after 30 minutes. The brightness and the color temperature button will be OFF, not adjustable.

kohler.com.cn

THE BOLD LOOK
OF **KOHLER**®

©2026 Kohler Co.



1668202-T2

1668202-T2-A