

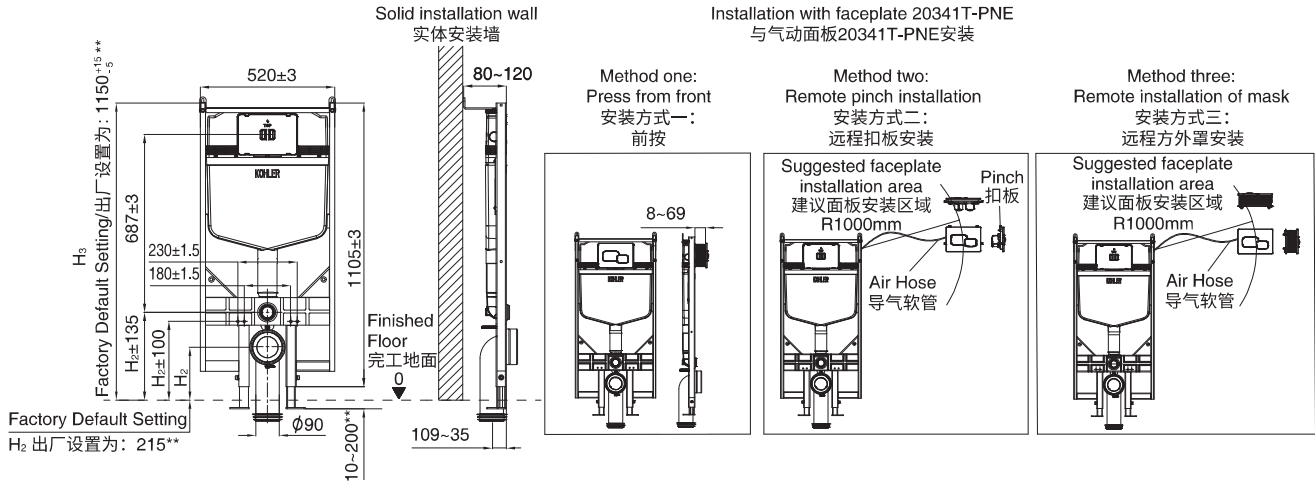
ROUGHING-IN

尺寸图

Reference Value
参考值

UNIT: mm
单位: 毫米

K-32783T*/K-32784T*/K-32789T*/K-39571T*/K-32789H-PNE/K-32784TW-PNE K-32789K-PNE/K-32789A-PNE/K-32615MY-PNE/K-32791R-PNE



K-32785T*/K-32786T*/K-32790T*/K-32790H-PNE/K-32785TW-PNE K-32790K-PNE/K-32790A-PNE/K-32616MY-PNE/K-32792R-PNE

