

K-25447T-NS/K-P25447T-NS/K-32764T-NS/K-39657T-CPMP/K-39658T-CPMZ/K-39658T-BNMZ
K-39658T-BLMZ/K-39658T-MBMZ/K-39658T-BVMZ/K-39659T-OMG/K-39659T-7MG/K-25447T-NSN4
K-33650T-NSN4/K-P25447T-NSN4/K-32764T-NSN4/K-33647T-NSN4/P25447T-NSN4

BEFORE YOU BEGIN

- Please read these instructions carefully to familiarize yourself with the required tools, materials, and installation sequences. Follow the sections that pertain to your particular installation. This will help you avoid costly mistakes. In addition to proper installation, read all operating and safety instructions.
- All information in these instructions is based upon the latest product information available at the time of publication. Kohler China reserves the right to make changes in product characteristics, packaging, or availability at any time without notice.
- These instructions contain important care, cleaning, and warranty information-**please leave instructions for the consumer.**

安装之前

- 请仔细阅读说明书，熟悉所需工具、材料和安装顺序，参照相关章节完成您所需的安装，以避免昂贵的损失，除了正确的安装外，请详阅所有的操作和安全说明。
- 本说明书所含的一切资料均以印刷时所有的最新产品为准，科勒中国保留权利随时更改产品特性、包装或供应情况，恕不另行通知。
- 本说明书也包含了有关保养、清洁及产品担保等重要信息-请交予用户保存。

ORDERING INFORMATION

VEIL WH Toilet W/O ST
(HT110 P,3.5/5.0)K-32764T-NS
Includes BowlK-5723T
Includes HT110 IWT W/F
3.5/5.0L(VEIL WH)K-32783T-VL-NA
VEIL WH Toilet W/O ST
(HT201 P, 3.5/5.0)K-25447T-NS
Includes BowlK-5723T
Includes HT 201 PNE IWT
W/F 3.5/5.0L(VEIL WH).....K-25440T-VL
VEIL WH TOILET W/O ST
(HT201,PJT PACK,2P).....K-P25447T-NS
Includes WH Bowl 3.5/5.0L W/O STK-P5723T
Includes HT201 PNE IWT W/F(VEIL WH),
PJT PACK,2PK-P25440T-VL-NA
VEIL WH Toilet W/O ST
(HT201 P,3.3/4.8).....K-25447T-NSN4
Includes VEIL WH Bowl 3.3/4.8L W/O ST....K-5723T-NW4
Includes HT201 PNE IWT W/F
3.3/4.8L(VEIL WH)K-39570T-VL4-NA
VEIL WH Toilet W/O ST
(HT201 P,3.3/4.8).....K-33650T-NSN4
Includes VEIL WH Bowl 3.3/4.8L W/O ST....K-5723T-NW4
Includes HT201 PNE IWT W/F
3.3/4.8L(VEIL WH)K-39570T-VLL4-NA

订购信息

维亚挂墙式坐便器无盖板
(海德丽110气动水箱,3.5/5.0升).....K-32764T-NS
含缸体.....K-5723T
含海德丽110气动入墙式隐藏水箱,
3.5/5.0升(维亚挂墙).....K-32783T-VL-NA
维亚挂墙式坐便器无盖板
(海德丽201气动水箱, 3.5/5.0升).....K-25447T-NS
含缸体.....K-5723T
含海德丽201气动入墙式
隐藏水箱, 3.5/5.0升(维亚挂墙)K-25440T-VL
维亚挂墙式坐便器无盖板
(海德丽201气动水箱,3.5/5.0升)两联叠包装K-P25447T-NS
含维亚挂墙式加长型缸体 K-P5723T
含海德丽201气动入墙式隐藏水箱,
3.5/5.0升(维亚挂墙), 两联叠包装.....K-P25440T-VL-NA
维亚挂墙式坐便器不带盖板
(海德丽201气动水箱,3.3/4.8升)K-25447T-NSN4
含维亚挂墙式加长型缸体3.3/4.8升K-5723T-NW4
含海德丽201气动入墙式隐藏水箱,
3.3/4.8升(维亚挂墙).....K-39570T-VL4-NA
维亚挂墙式坐便器不带盖板
(海德丽201气动水箱,3.3/4.8升)K-33650T-NSN4
含维亚挂墙式加长型缸体3.3/4.8升K-5723T-NW4
含海德丽201气动入墙式隐藏水箱,
3.3/4.8升(维亚挂墙)..... K-39570T-VLL4-NA

No.2 KOHLER ROAD, SANSHUI CENTRAL INDUSTRIAL PARK, LEPING TOWN, SANSHUI DIST., FOSHAN, GUANGDONG, PRC POST CODE: 528137
广东省佛山市三水区乐平镇三水中心工业园区科勒大道2号 邮编: 528137

8# MENGSHAN RD, ECONOMIC DEVELOPMENT ZONE OF HUANTAI, ZIBO, SHANDONG, CHINA POST CODE: 256410
山东省淄博市桓台经济开发区蒙山路8号 邮编: 256410

NO.1 KOHLER STREET, ECONOMIC DEVELOPMENT ZONE OF FAKU COUNTY, SHENYANG LIAONING PROVINCE, PRC POST CODE: 110400
辽宁省沈阳市法库经济开发区科勒大街1号 邮编: 110400

VEIL WH Toilet W/O ST (HT110 P, 3.3/4.8L).....K-32764T-NSN4 Includes VEIL WH Bowl 3.3/4.8L W/O ST....K-5723T-NW4 Includes HT110 PNE IWT W/F 3.3/4.8L(VEIL WH).....K-39571T-VL4-NA	维亚挂墙式坐便器不带盖板 (海德丽110气动水箱, 3.3/4.8升).....K-32764T-NSN4 含维亚挂墙式加长型缸体3.3/4.8升.....K-5723T-NW4 含海德丽110气动入墙式隐藏水箱, 3.3/4.8升(维亚挂墙).....K-39571T-VL4-NA
VEIL WH Toilet W/O ST (HT110 P, 3.3/4.8L).....K-33647T-NSN4 Includes VEIL WH Bowl 3.3/4.8L W/O ST....K-5723T-NW4 Includes HT110 PNE IWT W/F 3.3/4.8L(VEIL WH).....K-39571T-VLL4-NA	维亚挂墙式坐便器不带盖板 (海德丽110气动水箱, 3.3/4.8升).....K-33647T-NSN4 含维亚挂墙式加长型缸体3.3/4.8升.....K-5723T-NW4 含海德丽110气动入墙式隐藏水箱, 3.3/4.8升(维亚挂墙).....K-39571T-VLL4-NA
VEIL WH Toilet W/O ST (HT201, PJT PACK, 2P).....K-P25447T-NSN4 Includes WH Bowl 3.3/4.8L W/O ST.....K-P5723T-NW4 Includes HT201 PNE IWT W/F(VEIL WH), PJT PACK, 2P.....K-P39570T-VL4-NA	维亚挂墙式坐便器无盖板(海德丽201气动水箱, 3.3/4.8升)两联叠包装.....K-P25447T-NSN4 含维亚挂墙式加长型缸体.....K-P5723T-NW4 含海德丽201气动入墙式隐藏水箱, 3.3/4.8升 (维亚挂墙), 两联叠包装.....K-P39570T-VL4-NA
Com Toilet, VEIL WH W/ Mach S, CP/Plastic.....K-39657T-CPMP Includes VEIL WH Toilet Bowl, Mach TS, CP/Plastic.....K-39838T-NPMP Includes MACH Toilet Sensor, PLS, 4L/5.8L.....K-34176T-CP Includes Quiet-Close Toilet Seat.....K-4141T	维亚挂墙式商用坐便器 (迈锐感应器 4/5.8L).....K-39657T-CPMP 含维亚挂墙缸体K-39838T-NPMP 含迈锐坐便器感应器, 4L/5.8L.....K-34176T-CP 含现代化加长型缓降坐便器盖板(净雅版).....K-4141T
Com Toilet, VEIL WH W/ Mach S, CP/Zinc...K-39658T-CPMZ Includes VEIL WH Toilet Bowl, Mach TS, CP/Zinc.....K-39838T-NPMZ Includes MACH Toilet Sensor, 4L/5.8L.....K-34178T-CP Includes Quiet-Close Toilet Seat.....K-4141T	维亚挂墙式商用坐便器(迈锐感应器 4/5.8L)...K-39658T-CPMZ 含维亚挂墙缸体K-39838T-NPMZ 含迈锐坐便器感应器, 4L/5.8L.....K-34178T-CP 含现代化加长型缓降坐便器盖板(净雅版).....K-4141T
Com Toilet, VEIL WH W/ Mach S, BN/Zinc...K-39658T-BNMZ Includes VEIL WH Toilet Bowl, Mach TS, BN/Zinc.....K-39838T-NNMZ Includes MACH Toilet Sensor, 4L/5.8L, BN..K-34178T-BN Includes Quiet-Close Toilet Seat.....K-4141T	维亚挂墙式商用坐便器(迈锐感应器 4/5.8L)...K-39658T-BNMZ 含维亚挂墙缸体K-39838T-NNMZ 含迈锐坐便器感应器, 4L/5.8L, 罗曼银.....K-34178T-BN 含现代化加长型缓降坐便器盖板(净雅版).....K-4141T
Com Toilet, VEIL WH W/ Mach S, BL/Zinc....K-39658T-BLMZ Includes VEIL WH Toilet Bowl, Mach TS, BL/Zinc.....K-39838T-NBMZ Includes MACH Toilet Sensor, 4L/5.8L, BL...K-34178T-BL Includes Quiet-Close Toilet Seat.....K-4141T	维亚挂墙式商用坐便器(迈锐感应器 4/5.8L)....K-39658T-BLMZ 含维亚挂墙缸体K-39838T-NBMZ 含迈锐坐便器感应器, 4L/5.8L, 原色黑.....K-34178T-BL 含现代化加长型缓降坐便器盖板(净雅版).....K-4141T
Com Toilet, VEIL WH W/ Mach S, 2MB/Zinc.....K-39658T-MBMZ Includes VEIL WH Toilet Bowl, Mach TS, 2MB/Zinc.....K-39838T-NMMZ Includes MACH Toilet Sensor, 4L/5.8L, 2MB.....K-34178T-2MB Includes Quiet-Close Toilet Seat.....K-4141T	维亚挂墙式商用坐便器 (迈锐感应器 4/5.8L).....K-39658T-MBMZ 含维亚挂墙缸体K-39838T-NMMZ 含迈锐坐便器感应器, 4L/5.8L, 摩登金.....K-34178T-2MB 含现代化加长型缓降坐便器盖板(净雅版).....K-4141T
Com Toilet, VEIL WH W/ Mach S, BV/Zinc....K-39658T-BVMZ Includes VEIL WH Toilet Bowl, Mach TS, BV/Zinc.....K-39838T-NVMZ Includes MACH Toilet Sensor, 4L/5.8L, BV...K-34178T-BV Includes Quiet-Close Toilet Seat.....K-4141T	维亚挂墙式商用坐便器(迈锐感应器 4/5.8L)....K-39658T-BVMZ 含维亚挂墙缸体K-39838T-NVMZ 含迈锐坐便器感应器, 4L/5.8L, 罗曼铜.....K-34178T-BV 含现代化加长型缓降坐便器盖板(净雅版).....K-4141T
Com Toilet, VEIL WH W/ Mach S, White/Gla...K-39659T-OMG Includes VEIL WH Toilet Bowl, Mach TS, White/ Gla.....K-39838T-N0MG Includes MACH Toilet Sensor, GLS, 4L/5.8L...K-34180T-0 Includes Quiet-Close Toilet Seat.....K-4141T	维亚挂墙式商用坐便器(迈锐感应器 4/5.8L).....K-39659T-OMG 含维亚挂墙缸体K-39838T-N0MG 含迈锐坐便器感应器, 4L/5.8L.....K-34180T-0 含现代化加长型缓降坐便器盖板(净雅版).....K-4141T
Com Toilet, VEIL WH W/ Mach S, Black/ Gla..K-39659T-7MG Includes VEIL WH Toilet Bowl, Mach TS, Black/ Gla.....K-39838T-N7MG Includes MACH Toilet Sensor, GLS, 4L/5.8L...K-34180T-7 Includes Quiet-Close Toilet Seat.....K-4141T	维亚挂墙式商用坐便器(迈锐感应器 4/5.8L).....K-39659T-7MG 含维亚挂墙缸体K-39838T-N7MG 含迈锐坐便器感应器, 4L/5.8L.....K-34180T-7 含现代化加长型缓降坐便器盖板(净雅版).....K-4141T

NOTES

- Observe all local plumbing and building codes.
- Shut off the water supply.
- Passageways is 57mm.
- Ensure that the new drain and shut-off valve have the correct roughing-in dimensions. **See Fig.#1.**
- Be very careful while working with vitreous china products. Vitreous china can break or chip if the bolts or nuts are overtightened, or if carelessly handled.
- Carefully inspect the new bowl for any sign of damage.
- Fixture dimensions are nominal and conform to tolerances established by ASME Standards (A112.19.2-2018).
- This product complies with Q/KCI-006-2018 《TOILETS》.
- This product complies with the requirements of GB25502-2024 《Minimum allowable values of water efficiency and water efficiency grades for water closets》. The water efficiency grade and water consumption of the toilets comply with the provisions of the following table.

注意

- 请遵守当地所有给排水及建筑规定。
- 关闭供水。
- 排污通道为57mm。
- 确保新排污管和止水阀坑距尺寸正确，请参阅图1。
- 请小心处理釉面陶瓷产品，因其容易破损和崩裂，故不可把螺栓或螺母上得过紧，且须小心轻放。
- 请仔细检查坐便器是否有损坏。
- 部件尺寸为标定值，误差符合美国机械工程师学会标准 ASME(A112.19.2-2018)。
- 本产品符合Q/KCI-006-2018 《坐便器》。
- 本产品符合GB25502-2024 《坐便器水效限定值及水效等级》，坐便器的水效等级及冲洗用水量符合如下表的规定。

Water efficiency grade index of toilet
坐便器水效等级指标

Unit: L
单位为升

Water efficiency grade of toilet 坐便器水效等级	Grade 1 1级	Grade 2 2级	Grade 3 3级
The average flushing water consumption of the toilet 坐便器平均冲洗用水量	≤ 3.8	3.8 < • ≤ 4.6	4.6 < • ≤ 5.4
The water consumption for full flushing of dual flush toilet 双冲式坐便器全冲冲洗用水量	≤ 4.8	4.8 < • ≤ 5.8	5.8 < • ≤ 6.8
The water consumption for half flushing of dual flush toilet 双冲式坐便器半冲冲洗用水量	≤ 3.3	3.3 < • ≤ 4.0	4.0 < • ≤ 4.7

Note: The average flushing water consumption of toilets is applicable to both single flush and dual flush toilets.
注：坐便器平均冲洗用水量适用于单冲式坐便器和双冲式坐便器。

TOOLS AND MATERIALS REQUIRED (Not supplied)

- 254mm adjustable wrench
- Metal file (file cut)
- Tape measure
- Tubing cutter
- Level
- Hacksaw
- Putty knife
- Screwdriver
- Straight pipe coupling
- Connection packing

所需工具及材料(不随货供应)

- 254mm活动扳钳
- 锉刀
- 卷尺
- 切管刀
- 水平尺
- 钢锯
- 涂油灰刀
- 螺丝刀
- 连接直管
- 连接组件

Reference Value
参考值

Unit: mm
单位: 毫米

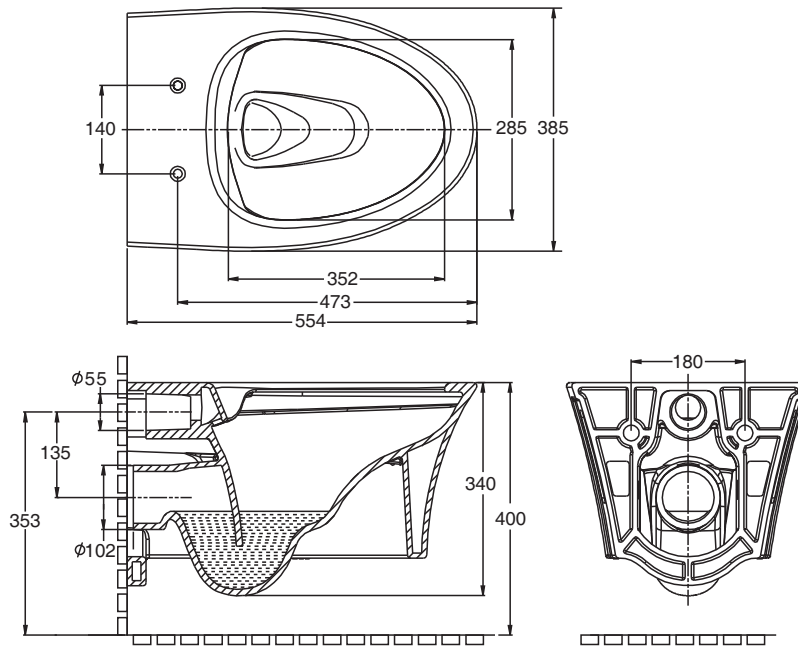


Fig.#1
图1

Kohler reserves the right to change marked dimensions without prior notice.
科勒公司保留随时变更图中标示尺寸的权利，无需另行通知。

INSTALLATION

安装

1. Install Flushing Mechanism

1. 安装冲水装置

1-1. Install The Tank

1-1. 安装水箱

- Turn the water supply off before installing the new toilet.
- Install the concealed tank system in wall before decorating the wall.
- Install the tank system per tank's installation instructions.

- 安装新坐便器前先关闭供水。
- 在装饰墙面先将入墙式水箱系统安装入墙体内部。
- 参照水箱安装说明书完成水箱系统的安装。

Note: Refer to installation instructions of in-wall tank for SKU of faceplate.

注意：需另配的面板型号请参考水箱说明书。

Recommended rank dimension(Fig.#2-b)

推荐支架关键尺寸图(图2-b)

1) Rank should support weight 400kg.

1) 可承重400kg。

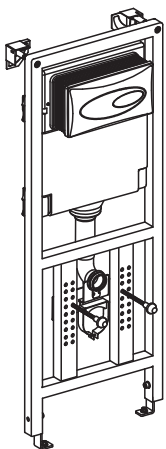


Fig.#2-a
图2-a

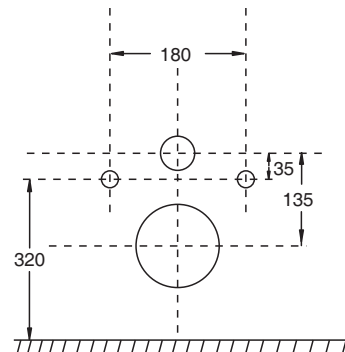
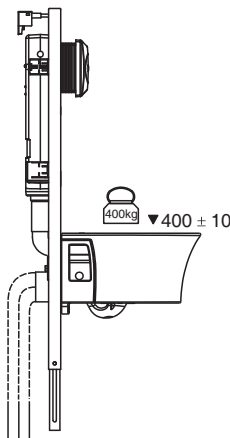


Fig.#2-b
图2-b

1-2. Install Manual Valve Or Sensor

1-2. 安装手动阀或感应冲洗器

- Refer to installation instructions of manual valve or sensor for the installation of flushing mechanism.

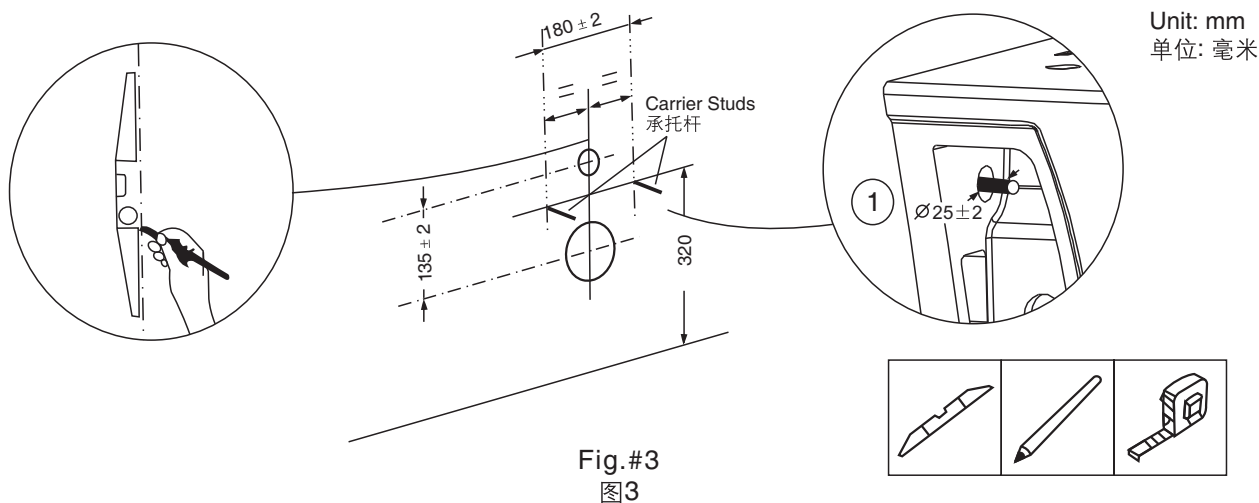
- 参照手动阀或感应冲洗器的说明书安装冲水装置。

2. Set The Spacing Of The Bowl

After you install the tank, be careful to set the spacing of the bowl on wall according to the dimensions as shown.

2. 坐便器定位

水箱安装完成后，根据图示尺寸，小心地在墙面上定好坐便器的位置。

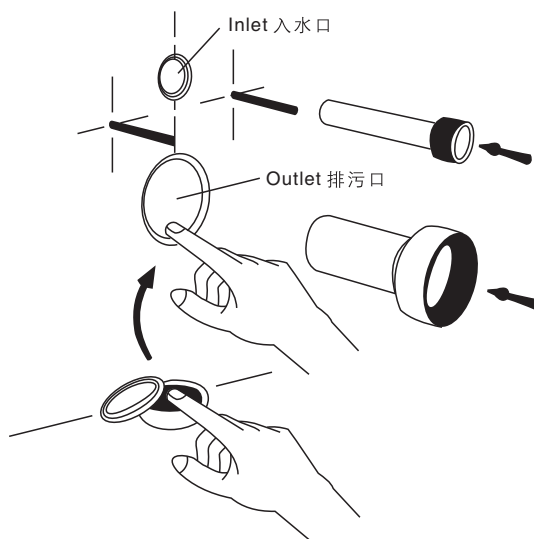
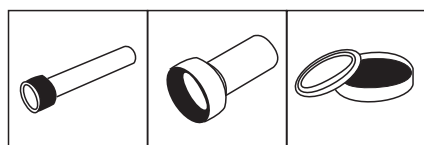


3. Attach Connection Pipe

- Attach pipe with gasket to the inlet to link to the concealed tank.
- Attach pipe with gasket to the outlet.
*Apply gasket for sealing the bowl to wall.
- You may apply some lubricant to help connect smoothly.

3. 安装连接管

- 连接管装上垫圈，接上入水口，连接入墙式水箱。
- 连接管装上垫圈，接上排污口。
*垫圈使坐便器与墙面间严丝合缝。
- 可以使用润滑剂，有助连接。

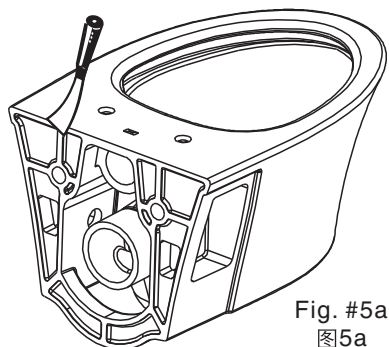


4. Install The New Bowl

Apply a little silicone sealant along the edge, to fill the gap between bowl and wall. See Fig. 5a.

4. 安装新坐便器

沿坐便器边缘涂少量硅胶密封胶，填补坐便器与墙面之间的空隙。见图5a。



Place the new bowl on the wall through the carrier. Wrench the nut to tighten and make them attached securely. See Fig. 5b.

- Torque for tightening nuts is recommended to be within the range from 8 Nm to 12 Nm.

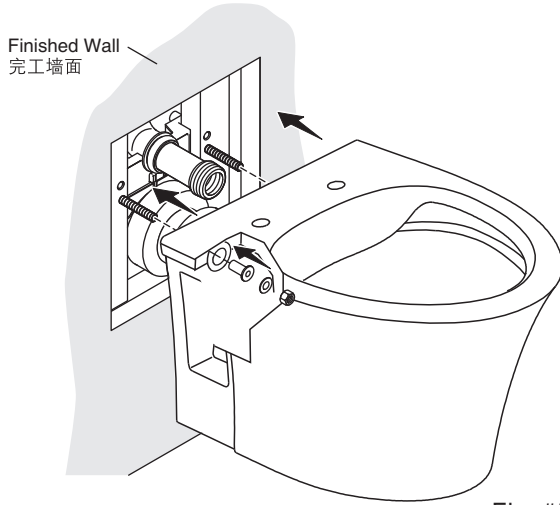
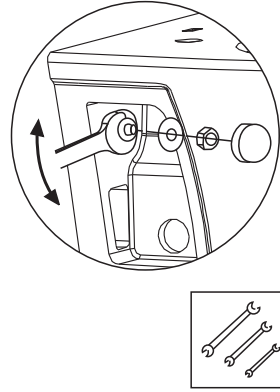


Fig. #5b
图5b

坐便器穿过承托杆置于墙上。上紧螺母，固定坐便器。见图5b。

- 上紧螺母所用的扭矩推荐值为8Nm至12Nm。



Adjust to horizontal and finish tightening. See Fig. 5c.

坐便器调整至水平，然后完成固定。见图5c。

Apply sealant to make sure the bowl's edge seals to the wall. See Fig. 5d.

使用密封胶，保证坐便器边缘紧贴墙面。见图5d。

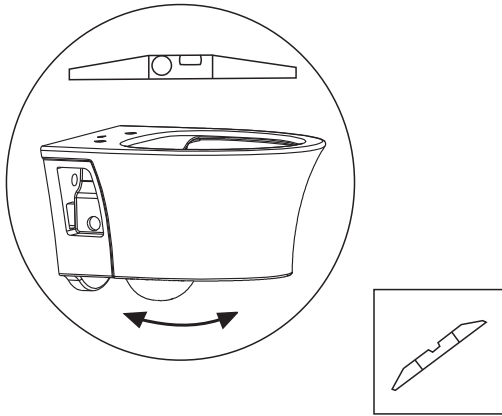


Fig. #5c
图5c

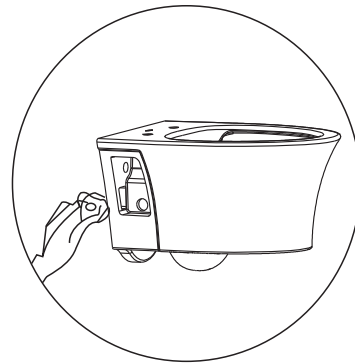


Fig. #5d
图5d

Install the toilet seat according to the toilet seat installation instructions.

根据盖板的安装说明书安装盖板。

5. INSTALL THE SIDE PANELS

NOTE: The left panel (L) and right panel (R) are not interchangeable and they shall be respectively fixed onto the left side and right side of the bowl as shown in Fig.6.

- Align the iron sheet on one side panel with the magnet on the bowl. Fix the side panel onto the bowl and adjust it with hand to the desired position.

5. 安装侧板

注意：左右侧板不可相互替换，左侧板（L）和右侧板（R）对应陶瓷的左、右侧，如图6。

- 取出其中一块侧板，将侧板上的铁片对准陶瓷安装位置的磁铁，将侧板扣盖到陶瓷，手推侧板移动以调节至最佳位置。

• Repeat for the second side panel.

• 相同步骤安装另一块侧板。

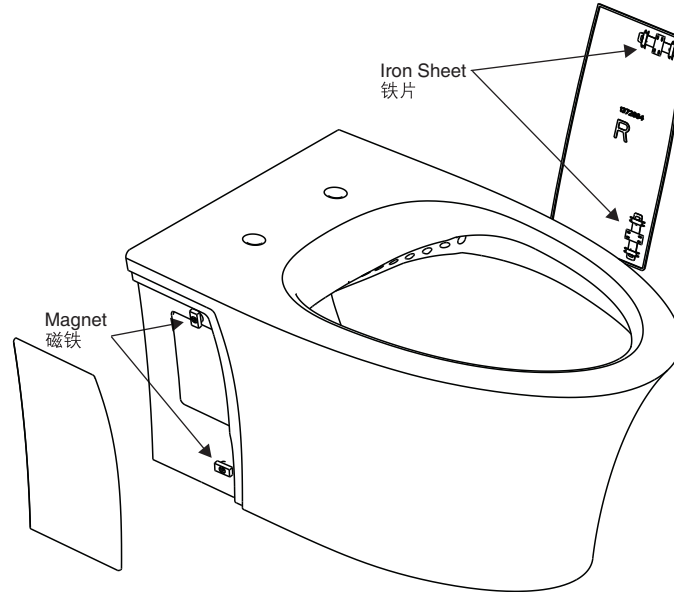


Fig. #6
图6

IMPORTANT CONSUMER INFORMATION 用户须知

CONSUMER RESPONSIBILITIES

If you live in a hard water area, make certain that the holes in the toilet rim are kept clean to ensure proper bowl flushing. Toilet bowl cleaners should be used at least once a week. Use a long-handled brush to clean the rim holes, and to clean as far into the trap as possible to prevent mineral deposits from forming.

Most toilet bowl cleaners are not harmful to the vitreous china surface of the toilet bowl. Please follow the bowl cleaner manufacturers instructions carefully.

Do not use abrasive cleaners or solvents.

⚠ WARNING: Risk of property or product damage.
Do not use in-tank cleaners. Products containing chlorine (calcium hypochlorite) can seriously damage fittings in the tank. This damage can cause leakage and property damage.

Kohler Company shall not be responsible or liable for any damage to these tank fittings caused by the use of cleaners containing chlorine (calcium hypochlorite).

⚠ CAUTION: Don't use any cement while installing the toilet. Heat expansion of the toilet may damage the feet of the toilet. Kohler will not be responsible for any damage because of using cement.

⚠ WARNING: Risk of product damage.
Do not throw into the toilet what is easy to block it, such as newspaper, paper pilch, sanitary towel. Do not bump the vitreous china with great force to prevent it from damaging and leaking.
Do not use the product in the water below 0°C.

⚠ CAUTION: Please do not use hard materials (like scouring pad) to clean product surface, especially the product logo.

用户责任

如果你居住地方的水质是硬性，你必须保持冲水孔清洁，以确保坐便器冲水正常。每星期应最少使用坐便器清洁剂清洁一次，用长把手的刷子清洁冲水孔，并尽量伸入排污管洗刷，防止矿物质积聚。

大多数的坐便器清洁剂对坐便器釉面陶瓷是没有害的，请认真遵循坐便器清洁剂制造商的指示来操作。

请勿使用腐蚀性清洁剂或溶剂。

⚠ 警告：提防楼宇受损或损坏产品。 请勿使用水箱内用清洁剂。含氯（次氯酸钙）的清洁剂会严重破坏水箱配件，从而引起渗漏，或对楼宇结构造成损坏。

科勒公司对此类因使用氯（次氯酸钙）而引致的水箱配件损毁，概不负责。

⚠ 警告：在安装本坐便器时切勿使用任何水泥。 因为水泥的热膨胀可能使坐便器的脚部挤破或损坏。科勒对所有因为水泥安装而引起的坐便器破裂恕不负责。

⚠ 警告：提防损坏产品。
请不要向便器内冲入新闻纸、纸尿裤、妇用卫生巾等容易堵塞的物品。
请不要用重力撞击陶瓷，以防止破损漏水。

不要在0°C以下的水环境中使用。

⚠ 警告：请勿使用钢丝球等硬质材料擦洗产品表面，特别是产品商标处。