

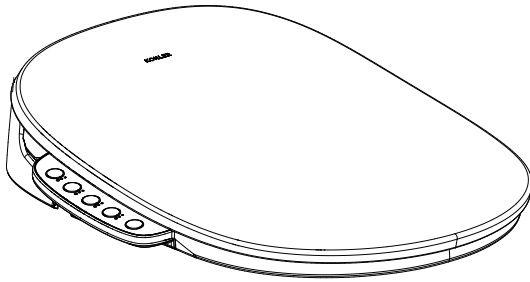
Homeowner's Guide

用户手册

PUREWASH BIDET SEAT

清舒宝智能便盖

E510



科勒(中国)投资有限公司
中国上海市静安区江场三路158号 邮编:200436
制造商:上海科勒电子科技有限公司
中国上海市宝山区丰翔路1955号 邮编:200444

目录

感谢您选择科勒公司	2
安全注意事项	3
警告	3
注意	4
规格	5
用户界面	6
初次使用前准备	7
长时如厕提醒功能	7
维护保养	8
清洗后置喷嘴	9
移除便盖	10
清洗过滤网	11
长期放置不用时的维护	12
疑难解答	13
产品中有害物质含量的说明	15

感谢您选择科勒公司

感谢您选择科勒。科勒技术提供了可靠性能和优雅生活的结合，满足了您未来几年的需求。科勒产品的美观和可靠性将满足您最挑剔的眼光。我们为我们科勒的产品感到非常地自豪，相信您也会。

请花几分钟阅读一下这本用户手册，特别注意维护和清洗说明。

这本说明书中所有的信息基于最新公开的产品信息。在科勒，我们一贯坚持改善我们产品的质量。我们保留在任何时候不通知的情况下改变产品特性，包装或实用性的权利。

安全注意事项

- 如果电源软线损坏，为了避免危险，必须由制造商、其服务机构或类似的专业人员更换。
- 为了安全使用本产品，请务必在海拔2000m以下使用。
- 最小进水压力为0.07MPa(动压)
最大进水压力为0.74MPa。
- 必须使用随器具附带的新软管组件，旧软管组件不能重复使用。
- 产品固定在支撑物体上的方法参照第2\3页安装方法。
- 触电，火灾或人身伤害的危险。本产品必须安全接地。
产品只能连接到专用的220V[~]，50Hz，10A带接地故障断路器或接地漏电保护器的电路中。
- 产品损伤的危险。在所有其他安装步骤结束之前不要插电源线插头。
- 不要使用延长电线连接产品。
- 产品损坏的风险。连接本产品进水管时要小心对正螺纹，否则会损坏产品进水口螺纹，造成漏水。
- 如果产品长时间不用，请拔下插头并排干本机里的水。
- 产品损坏的风险。不要把产品安装在过分潮湿的地方，在这种地方，水汽可能凝聚在产品表面。请始终保持使用环境有足够的通风，以防止电子组件的损坏。



警告：

- 触电或产品损伤的危险。不要把产品浸入水中；产品掉入水中不能使用；防止将水淋到电源插上。
- 遵守所有当地的管道和建筑标准。
- 避免低温灼伤、触电、火灾或人身损伤。
 - 当儿童、老年人、残疾人、以及身体、感知、智力能力缺陷或经验和常识缺乏的人使用或靠近此产品时，近距离的监护是必需的。避免儿童在没有成年人的陪护下单独使用或接触此产品。不要让儿童独自待在安装有此产品的房间，儿童不应玩耍器具。
 - 对于无法自己进行温度调节操作的儿童和老人，需要帮助将便盖的圈温、冲水温度及风温调节到合适的档位。
 - 请避免长时间让裸露的皮肤接触加热坐圈，以免低温灼伤。



注意：

- 产品损坏或财产损失的风险。硬推、硬拉水管接头可能造成水渗漏。
- 产品损坏的风险。不要在喷嘴上施加过大的力，否则产品可能损坏。
- 请不要使用科勒不推荐的附件，如三通等。
- 如果智能坐便器产品不提供止水阀或方便操作止水阀的结构，应在安装说明书和用户手册中的醒目位置声明：“在安装本产品的同一房间中，需要在触手可及的位置安装一个止水阀，用于紧急情况下无需借助工具即可切断本产品的进水水路；否则本产品的意外故障可能会导致用户损失”。
- 不要把产品浸没在水中。
- 不要把产品安装在水可能溅到的地方。
- 不要把产品安装在过分潮湿的地方。
- 只能连接自来水水源。

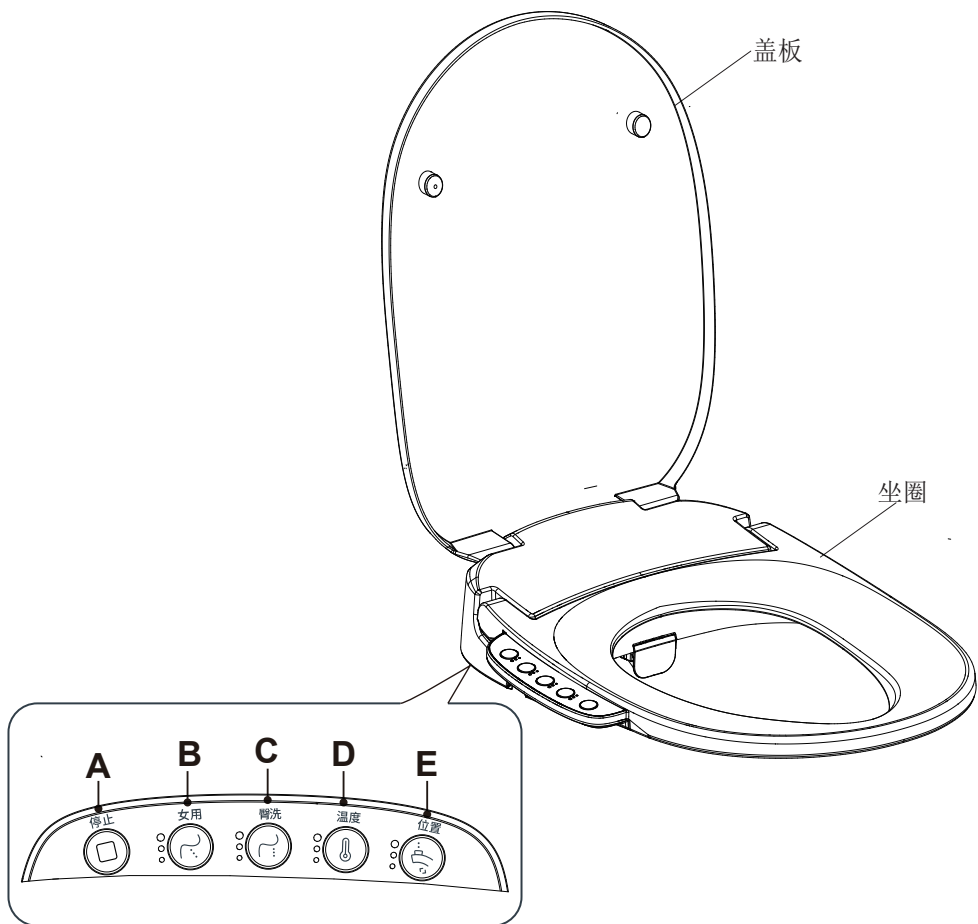
注意

- 产品损坏的风险。为了防止因冻结而损坏配管或进水软管，应采取防冻措施，以及在室温中存放使用或排空产品内部水。在重新安装或使用前请保证产品暖至室温。
- 温暖的气候时，热保护器在存储或运输过程中可能失灵，导致产品不工作。在重新安装或使用前请保证产品冷至室温。
- 根据安装说明正确地安装本产品。
- 只有专业人士可以修理此产品。不要试图自己维修此产品。
- 不要把任何物品掉入或插入管路和开孔处。
- 用户切断电源后，如须再次接通电源，请务必等 30 秒后再接通电源。
- 如果发现下列情况，请勿继续使用。请断开电源并同时关闭进水角阀，停止供水。
 - 软管及产品的内部向外漏水。
 - 当产品出现裂缝或破损时。
 - 产品出现异声或明显异味。
 - 发现产品产生烟雾。
 - 当产品异常发热时。

规格

水效等级*		2级
供水压力		最小进水压力0.07MPa。(动压) 最大进水压力0.74MPa.
额定电压		220V~, 50Hz
电源线长度		约 1.2m
额定功率*		1140W
产品外形尺寸		约506x407x104mm
产品重量		约5.68kg
进水温度		1-35℃
使用环境温度		1-40℃
清洗	臀洗	关, 三档可调(冲洗强度)
	女用	关, 三档可调(冲洗强度)
	出水流量 (水压0.2MPa时)	臀洗清洗最大档不小于560mL/min
	清洗水温调节	关, 三档可调(冲洗强度)
	冲洗时间(最长)	约 300s
	喷管位置调节	三档
	脉冲按摩	无
	移动冲洗	开/关
安全装置	水温过热保护	温度保险丝
	逆流防止	单向阀, 真空破坏器
舒适	坐圈加热	温度调节 关, 三档可调 安全装置 温度保险丝
	盖板	缓降
	坐圈	缓降
卫生	喷嘴自清洁	有
	快速拆除本体	推动释放键
	UV除菌	限部分型号(详见“产品配置表”)
其他功能	其它安全装置	漏电保护器
	侧键盘	限部分型号(详见“产品配置表”)
	落座感应	位于坐圈内部
	夜灯	限部分型号(详见“产品配置表”)
<p>* 智能坐便器施加的水效标识的说明:水效标识表示智能坐便器水效等级等性能的一种符合性标志。 * 功率值测试条件:动压0.2MPa, 进水温度15℃, 测试前关闭圈温档位温度, 运行至圈温稳定状态;关闭水温档位温度, 运行冲洗程序至水温稳定状态。</p>		

用户界面



各型号的用户界面内容，介绍见快速指南

初次使用前准备

- 确认进水阀是否已打开。
- 按安装说明书接上进水软管，打开止水阀，插上电源。
- 当电源线插上电源插座，同时喷管伸缩1次，短鸣1次，初始化结束。
- 初始化过程中，可听见电机转动声和流水声，均属正常。
- 参考快速指南，进行测试。
- 初次使用时为出厂设置状态。

女用：水流：中档
位置：中档
臀洗：水流：中档
位置：中档

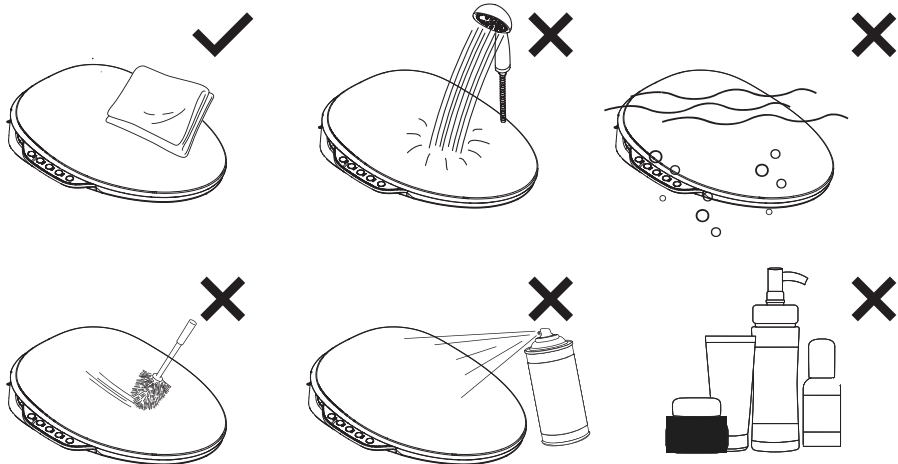
水温：中档
圈温：中档
节能模式：关闭

长时如厕提醒功能

如果用户长时间落座使用坐便器，超过一段时间后，系统通过蜂鸣器提醒用户。

维护保养

用清洗液在便盖不显眼的地方测试，如果确认清洗液不会对便盖外表造成损坏然后再应用于整个表面。使用柔软湿润的海绵或者布进行擦拭并擦干，在空气中让坐圈自然干燥。

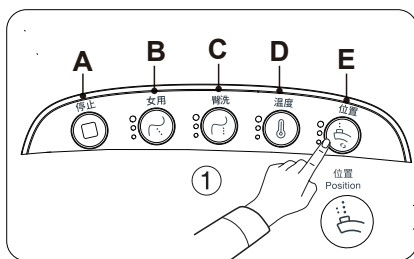


(图片仅供参考)

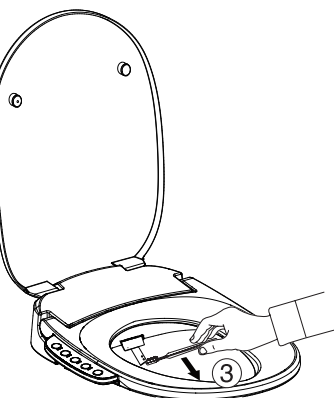
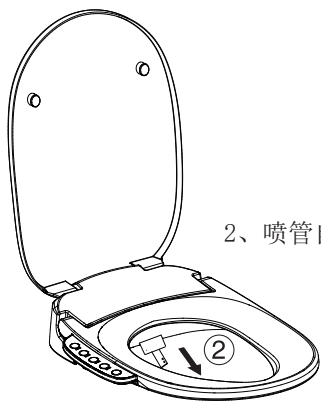
注意：不遵守这些清洗说明可能使科勒的保修义务无效。

清洗后置喷嘴/维护保养

1、未落座时，长按位置按键，进入喷管手动清洁模式。

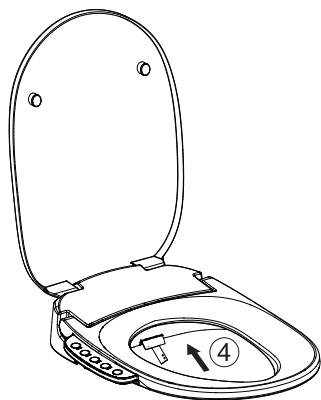


2、喷管自动伸出



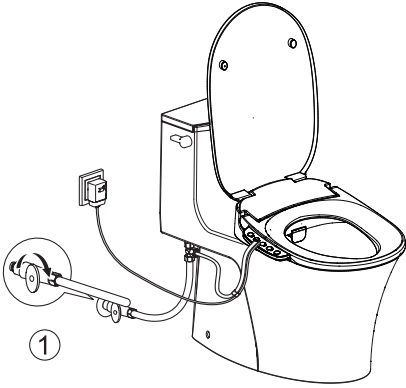
3、用软毛刷轻刷喷嘴口。

4、长按位置按键，退出喷管手动清洁模式。

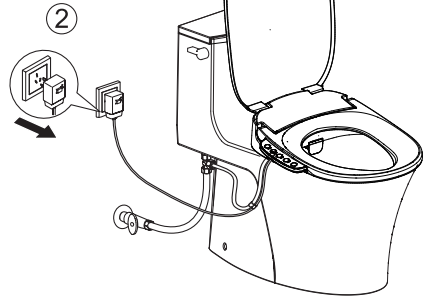


(图片仅供参考)

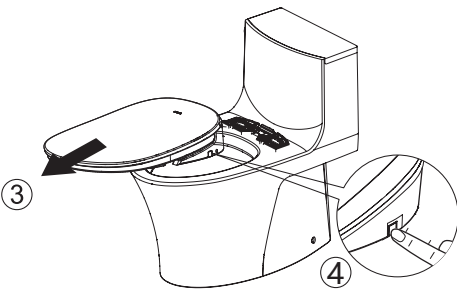
移除便盖



1. 切断水源。



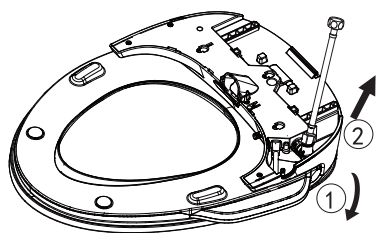
2. 切断电源。



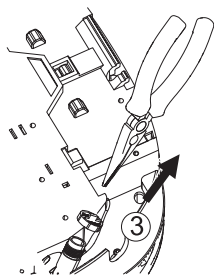
3. 释放安装按钮，取下便盖。

(图片仅供参考)

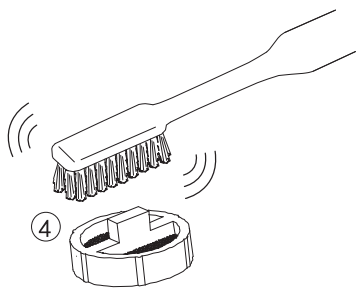
清洗过滤网



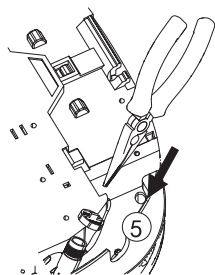
1/2. 取下便盖后，旋松螺母，取下进水管。



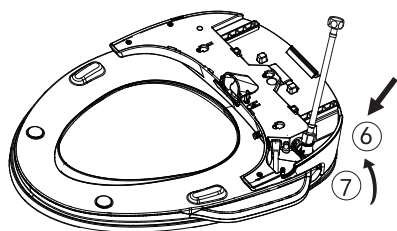
3. 取出内部的滤网。



4. 清水清洗滤网。

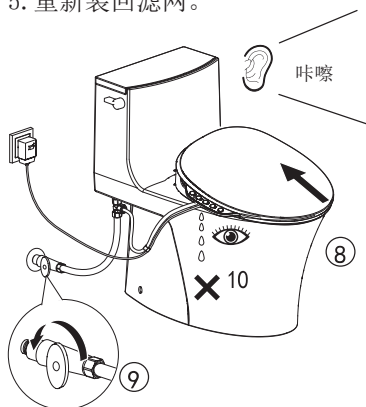


5. 重新装回滤网。



6/7. 重新装上进水管，旋紧螺母。

(图片仅供参考)



8/9/10. 重新装上便盖，通电通水，检查是否有漏水。

长期放置不用时的维护

当准备长期不使用智能便盖时，或环境温度有可能降低到冰点以下时，请拔掉电源。

长期不用再次使用时，请务必多进行几次冲洗，确保内部管路清洗干净。

疑难解答

一般功能

现象	可能原因	建议措施
1. 机器不工作。	A. 停电。 B. 未接上电源线。 C. 电源线漏电插头保护开关未复位。 D. 人体未接触坐圈感应区域。 E. 热保护器开启自动保护。 F. 以上措施都不见效。	A. 等到电力恢复。 B. 将插头插在插座上。 C. 按下插头上的复位按钮。 D. 接触坐圈感应区域。 E. 将产品在室温环境下静置一段时间。 F. 联系科勒服务代表。
2. 便盖松动。	A. 螺丝和螺母未拧紧。	A. 依据安装指导拧紧螺丝和螺母。
3. 喷管不能出水。	A. 坐圈未能感应到使用者。 B. 供水故障。 C. 过滤网阻塞。 D. 以上措施都不见效。	A. 接触坐圈感应区域。 B. 关闭电源，排除供水故障，重新通电。 C. 查看“清洗过滤网”部分。 D. 联系科勒服务代表。

清洁功能

现象	可能原因	建议措施
4. 无水流。	A. 供水阀已关。 B. 落座感应器没有探测到使用者。	A. 打开供水阀。 B. 在“安装说明”中“安装检查”部分查看激活坐圈信息。
5. 冲洗水压小。	A. 过滤网阻塞。 B. 供水水压不足。	A. 查看“清洗过滤网”部分。 B. 提高水压到产品要求的水压范围。
6. 完成清洗前水就停止从喷嘴中喷出。	A. 连续冲洗 5 分钟，冲洗功能自动停止。 B. 落座感应器没有探测到使用者。	A. 如需要，请再次按下冲洗按钮。 B. 在“安装说明”中“安装检查”部分查看激活信息。
7. 冲洗时有水从喷嘴旁边的孔中流出。	A. 产品内部防止水压过高的保护。	A. 正常现象。
8. 落座时，有水从喷嘴处流出。	A. 长时间无人使用时，将在使用前自动排放喷管内部的残留水。	A. 正常现象。

坐圈缓降		
现象	可能原因	建议措施
9. 坐圈和盖板的关闭速度在夏季和冬季有所不同。	A. 因室内温度变化。	A. 正常现象。
落座感应器		
现象	可能原因	建议措施
10. 不使用时按下清洗按键，清洗功能启用。	A. 落座感应器被物体覆盖或坐位是湿的。	A. 擦拭落座感应器区域的水或异物。
11. 即使坐着，清洗功能也不起作用。	A. 当前的坐姿，落座感应器不能检测到使用者。	A. 变换坐的姿势。
其他		
现象	可能原因	建议措施
12. 产品松动。	A. 固定产品的安装板的螺丝松动。	A. 拧紧安装板螺丝。

这份疑难解答只提供普通帮助。科勒授权的服务代表能解决相关的电气问题。保修服务方面的问题，请联系你的经销商或批发商。

扫描右侧二维码，可以查阅电子版英文说明书



Scan for English manuals.

产品中有害物质含量的说明

回收提示

本产品超过使用期限或经过维修无法正常使用后，不应随意丢弃，请交由有废弃电器电子产品处理资质的企业处理，正确的处理方法请查阅国家或当地有关废旧电器电子产品处理的规定。

有害物质统计表

产品中有害物质的名称及含有的信息表										
部件名称	有害物质									
	铅 (Pb)	汞 (Hg)	镉 (Cd)	六价铬 (Cr (v1))	多溴联苯 (PBBs)	多溴二苯醚 (PBDEs)	邻苯二甲酸二正丁酯 (DBP)	邻苯二甲酸二异丁酯 (DIBP)	邻苯二甲酸丁苯酯 (BBP)	邻苯二甲酸二(2-乙基)己酯 (DEHP)
塑料组件	○	○	○	○	○	○	○	○	○	○
控制类组件	×	○	○	○	○	○	○	○	○	○
PCBA 组件	×	○	○	○	○	○	○	○	○	○
电机类组件	×	○	○	○	○	○	○	○	○	○
导线类组件	○	○	○	○	○	○	○	○	○	○
进水组件	○	○	○	○	○	○	○	○	○	○
* 喷管组件	○	○	○	○	○	○	○	○	○	○
加热组件	×	○	○	○	○	○	○	○	○	○
* 遥控器组件	×	○	○	○	○	○	○	○	○	○
* 电池	○	○	○	○	○	○	○	○	○	○
* 陶瓷类组件	○	○	○	○	○	○	○	○	○	○
* 水箱组件	○	○	○	○	○	○	○	○	○	○

注1：○：表示该有害物质在该部件所有均质材料中的含量均不超出电器电子产品有害物质限制使用国家标准要求。

×：表示该有害物质至少在该部件的某一均质材料中的含量超出电器电子产品有害物质限制使用国家标准要求。

注2：以上未列出的部件，表明其有害物质含量均不超出电器电子产品有害物质限制使用国家标准要求。

*：表示部分机型含有该部件。

注：本表格提供的信息是基于供应商提供的数据及科勒公司的检测结果。

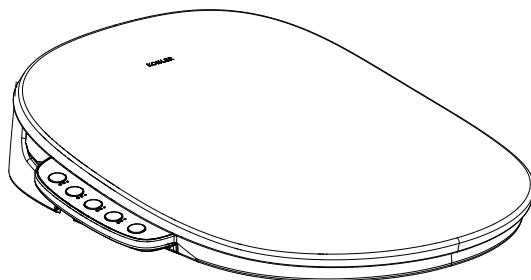
本产品应用环保设计理念，在当前技术水平下，所有有害物质或元素的使用已经控制到了最低程度，科勒公司会继续努力通过改善现有技术来减少这些物质的使用。



本产品的“环保使用期限”为10年，科勒公司根据产品设计特性指定该期限。只有在本产品使用说明书所述的正常情况下使用本产品时，“环保使用期限”才有效。

Homeowner's Guide

PUREWASH BIDET SEAT E510



Kohler (China) Investment Co., Ltd.

No.158, Jiangchang 3rd Road, Jing'an District, Shanghai, China. Postal Code: 200436

Manufactured by: Shanghai Kohler Electronics Technology Co., Ltd.

No. 1955, Fengxiang Road, Baoshan District, Shanghai, China. Postal Code: 200444

Catalogue

Thank you for choosing Kohler Company	2
Safety Precautions	3
Warnings	3
Attentions	4
Specifications	5
User Interface	6
Preparations Before Initial Operations	7
Prolonged Seating Indication Function	7
Maintenance	8
Cleansing of Rear Nozzle	9
Removal of Bidet Seat	10
Cleansing of Filter	11
Maintenance in Case of Long-term Idle Status	12
Troubleshooting	13
Explanation of harmful substance content in the product	15

Thank you for choosing Kohler Company

Thank you for choosing Kohler. Kohler craftsmanship offers you a rare combination of proven performance and graceful sophistication that will satisfy you for the years to come. The dependability and beauty of your Kohler product will surpass your highest expectations. We're very proud of our products here at Kohler and we know that you will be too.

Please take a few minutes to study this Homeowners Guide. Pay special attention to the care and cleaning instructions.

All information in this manual is based upon the latest product information available at the time of publication. At Kohler, we constantly strive to improve the quality of our products. We reserve the right to make changes in product characteristics, packaging or availability at any time without previous notice.

Safety Precautions

- In case the power cord is damaged: to avoid danger, it must be replaced by the manufacturer, its authorized service organization, or qualified professionals.
- To ensure safe use of this product, it must be used at altitudes below 2,000 meters.
- Min water pressure 0.07MPa (dynamic pressure)Max water pressure 0.74MPa.
- It is required to use the new hose assembly attached with the appliance. Do not re-use the old one.
- Refer to the installation method on pages 2/3 for how to secure the product to a support object.
- Risk of electric shock, fire, or personal injury. This product must be grounded safely. This product can be connect only to dedicated 220V~, 50Hz, 10A circuit protected by Ground-Fault Circuit-Interrupters (GFCI's) or Earth-Leakage Circuit-Breakers (ELCB's).
- Risk of product damage. Do not plug in the power cord before all other installation steps have been completed.
- Do not use an extension cord to connect the product.
- Risk of product damage. Be careful to align the thread when connecting the inlet pipe. Otherwise, it may damage the thread of the product water inlet and cause leakage.
- If the product will not be used for a long time, unplug it and drain all water from the unit.
- Risk of product damage. Do not install the product at a place with excessive humidity, where moisture may condense on the product surface. Ensure the operating environment is always well-ventilated to prevent damage to the electronic components.



Warning:

- Risk of electric shock or product damage. Do not immerse the product in water; do not use the product that has been dropped in water; water should not be poured on the power plug.
- Observe all local plumbing and building codes.
- Prevent low-temperature burns, electric shock, fire, or personal injury.
 - Children, elders or those with disabilities from their body, sensitivity or mental disabilities or lacking of common sense should not use or get close to this product unless under close tutelage. Avoid children using or coming into contact with this product alone without adult supervision. Do not leave children alone in a room with such product. Children should not play with the appliance.
 - For children and the elderly who are unable to adjust temperatures independently, assistance should be provided to set the bidet seat's temperature, water spray temperature, and air temperature to appropriate settings.
 - Exposed skin should not make contact with the heated seat for too long a time to prevent low temperature burning.



Attention:

- Risk of product damage or property loss. Water leakage may happen if the water pipe connector is pulled or pushed with excessive force.
- Risk of product damage. The product may be damaged if applying excessive force to the nozzle.
- Do not use attachments not recommended by Kohler Co. such as T-valve etc.
- If the smart toilet does not provide a water stop valve or a mechanism for easy operation of the water stop valve, a prominent statement should be included in the Installation Guide and Homeowners Guide: "When installing the product in a room, a water inlet angle valve shall be installed in a close proximity. For emergency circumstances, the water inlet valve can be turned off without using any tools; otherwise unexpected failure may cause the loss to the customer."
- Do not immerse the product in water.
- Do not install at a place where it may be splashed by water
- Do not install the product at a place with excessive humidity.
- Only tap water can be connected.

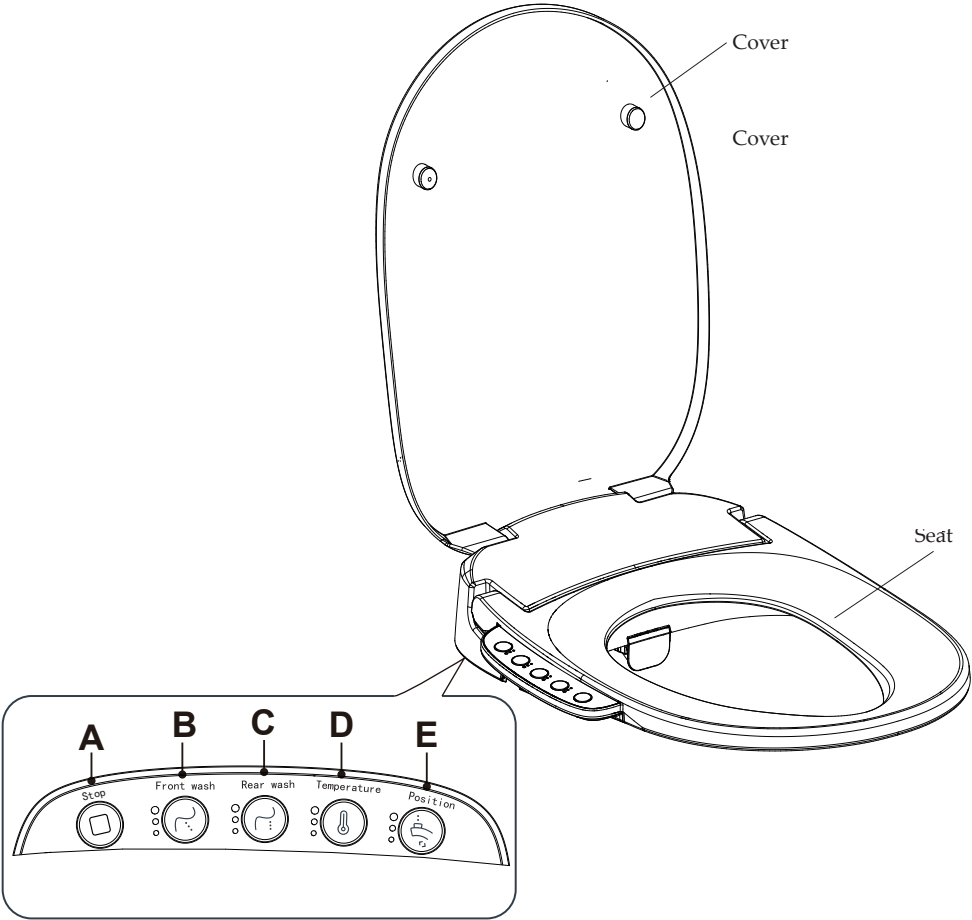
Attentions

- Risk of product damage. Antifreeze measures should be taken to prevent damage to the piping or inlet hose due to freezing. The product should be stored or used at room temperature, or water inside the product should be emptied. Please keep the product at room temperature before re-installation or usage.
- The thermal protector may get out of order during storage or transportation in a warm climate which can lead to product failure. Please ensure that the product cools to room temperature before re-installation or usage.
- Install this product properly according to the Installation Guide.
- This product shall be repaired by professionals only. Do not try to repair this product by yourself.
- Do not drop or insert any substance into the pipeline or the opening.
- When the user has cut power supply off, if reactivation of power supply is required, please wait for 30 seconds before turning on power supply again.
- Stop using this product if the following conditions are found. Please disconnect power supply and turn off the inlet angle valve to stop the water supply.
 - Water leaks out from the inside of the hose or the product.
 - When the product is cracked or damaged.
 - Strange sound or odor comes from the product.
 - Smoke comes out from the product.
 - When the product is abnormally hot.

Specifications

Water efficiency grade*		Level 2
Water pressure		Min water pressure 0.07MPa (dynamic pressure) Max water pressure 0.74MPa
Rated Voltage		220V~, 50Hz
Power cord length		About 1.2m
Rated power*		1140W
Product outline dimensions		About 506x407x104mm
Weight of product		About 5.68 kg
Inlet water temp		1-35 C
Operating environment		1-40 C
Cleaning	Rear wash	Off, adjust 3 dials (spray Intensity)
	Front wash	Off, adjust 3 dials (spray Intensity)
	Flow rate (when pressure is 0.2MPa)	The max dial of rear wash not lower than 560mL/min
	Spray water temperature adjustment	Off, adjust 3 dials
	Single spray duration (Max)	About 300s
	Wand position adjustment	3 dials
	Pulsate cleaning	None
	Oscillation cleaning	On/Off
Safety device	Water overheat protection	Thermal fuse
	Counter-flow prevention	Check valve, vacuum breaker
Comfort	Heated seat Temp adjustment	Off, adjust 3 dials
	Safety device	Thermal fuse
	Cover	Soft close
	Seat	Soft close
Sanitary	Wand self-cleaning	Yes
	Quick-release body	Push release button
	UV sterilize	Selective SKUs (Refer to "configuration matrix")
Other functions	Other safety devices	Circuit-breaker
	Side panel	Selective SKUs (Refer to "configuration matrix")
	Seating detection	Located inside the seat
	Lighting	Selective SKUs (Refer to "configuration matrix")
*The description of water efficiency label marked on Bidet: water efficiency label represents a compliance mark of the water efficiency grade etc. performance of Bidet.		
*Power value testing condition: dynamic pressure 0.2MPa, inlet water temp 15 C, Before the test, turn off the seat temperature setting, run seat temperature to the stable status; deactivate water temperature setting and run spray program to the stable status.		

User Interface



The user interface content of each model is introduced in the "Quick User Guide".

Preparations Before Initial Operations

- Ensure if the water inlet valve is open.
- Connect water inlet hose according to Installation Guide. Open water stop valve, and plug power cord.
- When plug power cord into socket, the wand slides in and out once, short beep once, and the initialization is completed.
- During initialization, it is normal to hear motor rotating and water flow.
- Test according to “Quick Guide” section.
- Factory settings for initial use.

Front	Water flow: Mid
wash:	Position: Mid
Rear	Water flow: Mid
wash:	Position: Mid

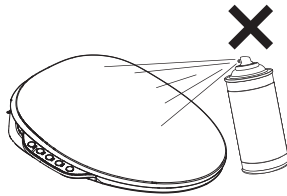
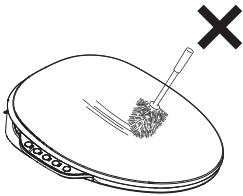
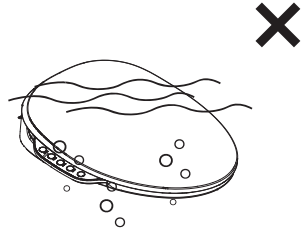
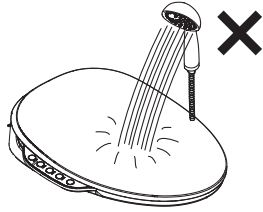
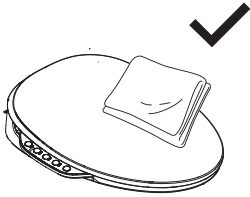
Water temp:	Mid
Seat temp:	Mid
Energy saving mode:	Off

Prolonged Seating Indication Function

When customer sits on toilet over a long period of time, system shall alert customer by buzz.

Maintenance

Test your cleaning solution on an inconspicuous area of the bidet seat. Confirm that the cleaning solution will not damage the exterior of the bidet seat before applying to the entire surface. Use a soft and dampened sponge or cloth to wipe the surface and wipe dry it, and then dry it naturally in the air.

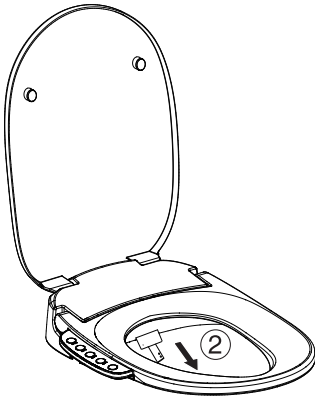
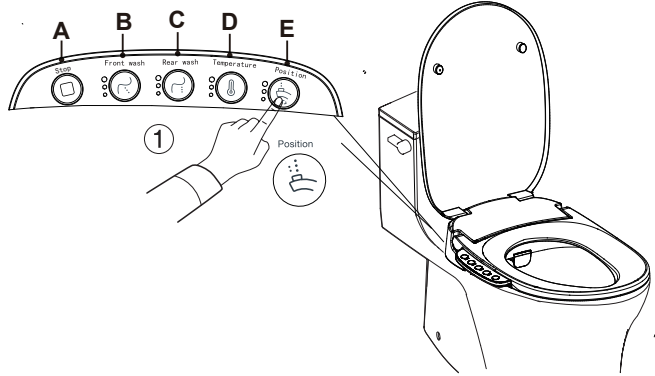


(Reference picture)

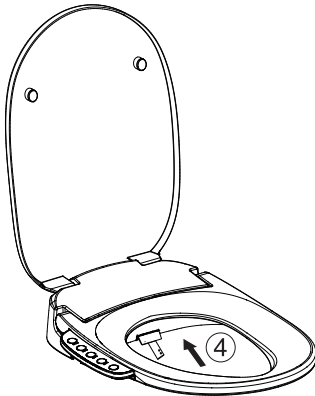
Note: Disobeying these cleaning instructions could void the Kohler warranty.

Cleansing of rear wand/maintenance

1. Long press the "Position" button on the remote to enter the manual cleaning mode.



2. The wand extends automatically.

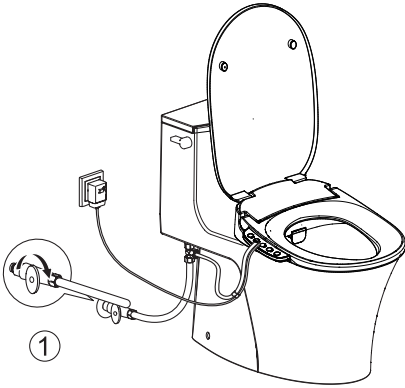


3. Brush the nozzle holes with a soft-bristled brush.

4. Long press the "Position" button to exit the manual cleaning mode.

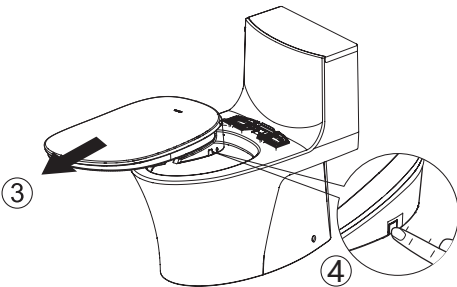
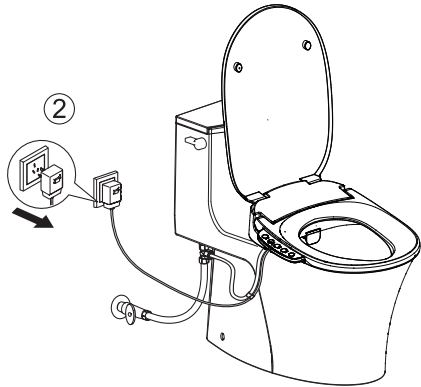
(Reference picture)

Removal of Bidet Seat



1. Cut off water.

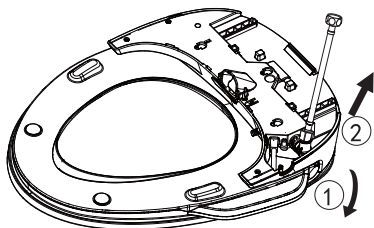
2. Cut off the power



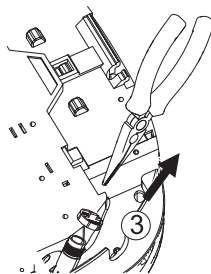
3. Release the installation button and remove the bidet seat.

(Reference picture)

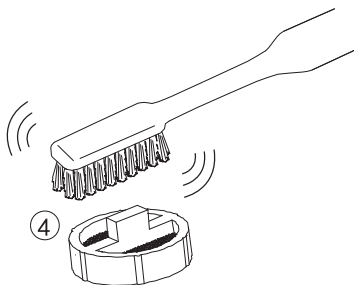
Removal of Bidet Seat



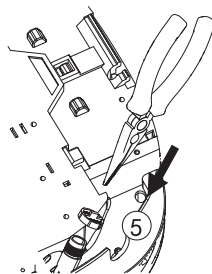
1/2. After removing the bidet seat, loosen the nut and remove the water inlet pipe.



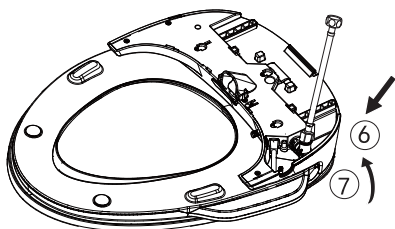
3. Take out the inner filter.



4. Clean the filter with clean water.

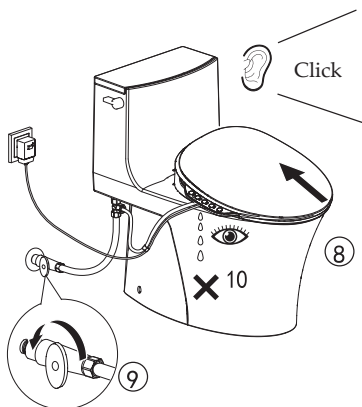


5. Reinstall the filter.



6/7. Reattach the water inlet pipe and tighten the nut.

(Reference picture)



8/9/10. Reinstall the bidet seat, turn on power and water, and check for leaks.

Maintenance in Case of Long-term Idle Status

If the bidet seat will be idle for a long term or if the ambient temp may drop below the freezing point, disconnect the power plug.

Before resuming using after a long term, please wash it several times and make sure that the internal pipeline is clean.

Troubleshooting

General functions		
Phenomenon	Possible causes	Recommended solution
1. The unit does not work.	<ul style="list-style-type: none"> A. Power failure occurred. B. The power cord is disconnected. C. The leakage plug protection switch of the power plug is not reset. D. The user is not in contact with the seat sensing area. E. Thermal protector auto protection is activated. F. None of the above solutions take effect. 	<ul style="list-style-type: none"> A. Wait until the power is restored. B. Insert the power cord into a power outlet C. Press the reset button on the plug. D. Contact the seat sensing area. E. Place product at ambient temperature for some time. F. Contact a Kohler service representative.
2. Bidet seat is loose.	<ul style="list-style-type: none"> A. Screws and nuts are loose. 	<ul style="list-style-type: none"> A. Tighten the screws and nuts according to the Installation Guide.
3. Water does not spray out of the wand.	<ul style="list-style-type: none"> A. The seat fails to detect user. B. Water supply failure. C. The filter is clogged. D. None of the above solutions take effect. 	<ul style="list-style-type: none"> A. Contact the seat sensing area. B. Power off, remove water supply fault and power on again. C. Refer to "Cleansing of Filter" section. D. Contact a Kohler service representative.
Cleaning function		
Phenomenon	Possible causes	Recommended solution
4. No water flow.	<ul style="list-style-type: none"> A. The water supply valve is turned off. B. The seat sensor fails to detect the user. 	<ul style="list-style-type: none"> A. Open the water supply valve. B. Check how to activate the seat in the "Installation Inspection" section of the "Installation Guide".
5. Low spray water pressure.	<ul style="list-style-type: none"> A. Filter is clogged. B. Insufficient water supply pressure. 	<ul style="list-style-type: none"> A. Refer to "Cleansing of Filter" section. B. Raise water pressure into the pressure range required by the product.
6. Water stops spraying from the nozzle before wash finishes.	<ul style="list-style-type: none"> A. Spray function auto stops after continuous spraying for 5 min. B. The seat sensor fails to detect the user. 	<ul style="list-style-type: none"> A. If needed, press the spray button again. B. Check activation information in the "Installation Inspection" section of the "Installation Guide".
7. Water comes out from the hole beside to the nozzle during spraying.	<ul style="list-style-type: none"> A. A protection method from high pressure inside the product. 	<ul style="list-style-type: none"> A. Normal phenomenon.
8. Water comes out from the nozzle when the product is seated on.	<ul style="list-style-type: none"> A. Residual water in the wand is auto-drained before the user resumes using the product after a long time. 	<ul style="list-style-type: none"> A. Normal phenomenon.

Troubleshooting (Continued)

Seat soft close		
Phenomenon	Possible causes	Recommended solution
9. The speed of the seat and cover closure varies in summer and winter.	A. Due to changes in room temperature.	A. Normal phenomenon.
Seat-on Sensor		
Phenomenon	Possible causes	Recommended solution
10. Clean function operates when pressing spray button while the seat is not in use.	A. The seat-on sensor is covered by an object or the seat is wet.	A. Remove water or objects from the seat-on sensing area.
11. The spray function does not work while the user is seating on.	A. The seat sensor fails to detect the user who sits in current way.	A. Try another sitting position.
Others		
Phenomenon	Possible causes	Recommended solution
12. The product moves.	A. Screws on the mounting plate that secure the product are loose.	A. Tighten the screws on the mounting plate.

This troubleshooting guide is for general aid only. Kohler authorized service representatives can resolve any related electrical problems. For warranty service, contact your dealer or wholesale distributor.

Scan for English manuals.



Explanation of harmful substance content in the product

Recycling Instructions

When this product exceeds its service life or fails to work normally after repair, do not dispose of it carelessly. Please hand it over to qualified waste electrical and electronic equipment processing enterprises. Refer to national or local regulations regarding the proper disposal of obsolete electrical and electronic products.

Hazardous Substances Statistics Table

Information Table on Names and Contents of Hazardous Substances in the Product										
Component name	Hazardous substances									
	Lead (Pb)	Mercury (Hg)	Cadmium (Cd)	Hexavalent chromium (Cr(VI))	Polybrominated biphenyls (PBBs)	Polybrominated diphenyl ethers (PBDEs)	Dibutyl phthalate (DBP)	Diisobutyl phthalate (DIBP)	Butyl benzyl phthalate (BBP)	Bis (2-ethylhexyl) phthalate (DEHP)
Plastic components	○	○	○	○	○	○	○	○	○	○
Control components	×	○	○	○	○	○	○	○	○	○
PCBA components	×	○	○	○	○	○	○	○	○	○
Motor components	×	○	○	○	○	○	○	○	○	○
Wire components	○	○	○	○	○	○	○	○	○	○
Water inlet components	○	○	○	○	○	○	○	○	○	○
* Wand components	○	○	○	○	○	○	○	○	○	○
Heating components	×	○	○	○	○	○	○	○	○	○
*Remote control components	×	○	○	○	○	○	○	○	○	○
*Battery	○	○	○	○	○	○	○	○	○	○
*Ceramic components	○	○	○	○	○	○	○	○	○	○
*Water tank components	○	○	○	○	○	○	○	○	○	○

Note 1: ○ indicates that the content of the hazardous substance in all homogeneous materials of this component does not exceed the national standard requirements for the restriction of hazardous substances in electrical and electronic products.

× indicates that the content of the hazardous substance in at least one homogeneous material of this component exceeds the national standard requirements for the restriction of hazardous substances in electrical and electronic products.

Note 2: For components not listed above, it indicates that the content of hazardous substances does not exceed the national standard requirements for the restriction of hazardous substances in electrical and electronic products.

*: indicates that some models contain this component.

Note: The information provided in this table is based on data from suppliers and test results from Kohler Company.

This product incorporates an environmentally friendly design philosophy. With current technology, the use of all harmful substances or elements has been reduced to a minimum. Kohler Company will continue to strive to reduce the use of these substances by improving existing technologies.



The "environmental service life" of this product is 10 years, designated by Kohler Company based on the product's design characteristics. The "environmental service life" is only valid when the product is used under normal conditions as described in the product manual.