

1599384-T2

记录您的型号:

Record your model number: _____

小心: 存在人身伤害或财产受损的风险。如果处理不慎,产品可能会破裂、碎裂或造成人身伤害。请人帮忙抬起梳妆台和台盆。

注: 台盆必须安装在浴室柜上。请参阅制造商的浴室柜安装说明。

您的产品可能与所示产品有所不同。安装步骤相同。

请遵守当地管路安装及建筑条例。

应由两个人执行此安装。

1A. 100% 密封硅胶

2A. 请人帮忙抬起梳妆台和台盆,放置在浴室柜顶部。轻轻向下按压,直至达到水平。

3A. 在橱柜顶部四周连续均匀地涂上密封胶。

4A. 立即擦掉多余的100%密封胶。

5A. 按照制造商的说明,安装排水管和水龙头。

6A. 完成排水管与供水系统的连接。

7A. 放水并检查有无漏水。

8A. 建议安装在有地漏的卫生间或者安装无法储水的落水。

需要帮助? 请联系我们的客户服务中心。

• 中国大陆: +(86) 800-820-2628, +(86) 400-820-2628

• 保养和清洁: kohler.com.cn/support/care-and-cleaning/

本产品支持科勒®厨卫产品三年有限质保,详见包装所附的《合格证》。

CAUTION: Risk of personal injury or property damage. Product can break, chip, or cause injury if handled carelessly. Get help lifting the vanity top and bathroom sink.

NOTE: The bathroom sink must be installed on a vanity. Refer to the manufacturer's installation instructions for the vanity.

Your product may appear different from the one illustrated. The installation procedure is the same.

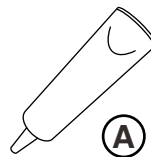
Follow all local plumbing and building codes.

Two people should perform this installation.

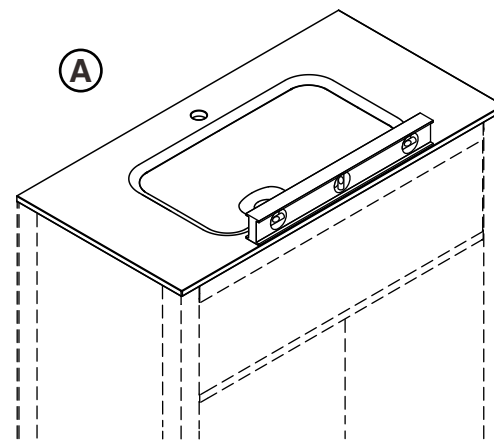
1A. 100% Silicone Sealant

2A. With assistance, lift the vanity top and bathroom sink, set in place on top of the vanity. Gently press down until level.

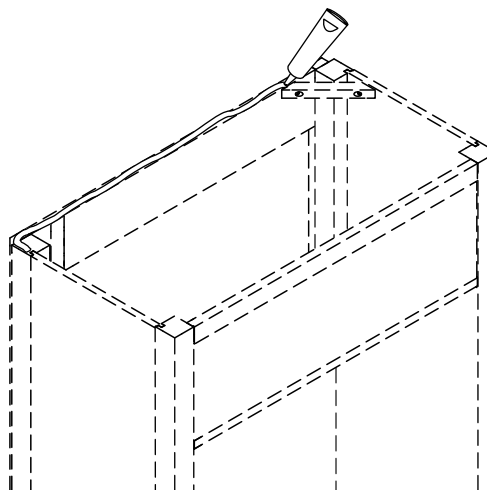
1



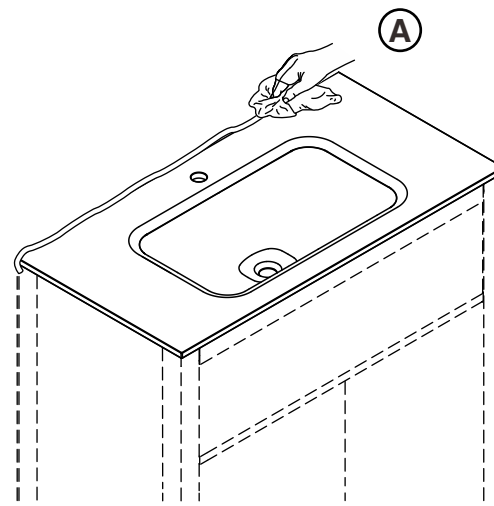
2



3



4



3A. Apply some sealant continuously and evenly around the top of the vanity.

4A. Immediately wipe away excess 100% silicone sealant.

5A. Install the drain and faucet following the manufacturer's instructions.

6A. Complete the drain and water supply connections.

7A. Run water and check for leaks.

8A.

Need help? Contact our Customer Care Center.

• Mainland China: +(86) 800-820-2628, +(86) 400-820-2628

• **Care and cleaning:** kohler.com.cn/support/care-and-cleaning/

This product is covered under the **Three-Year Limited Warranty for KOHLER® Plumbing Products**, found in the packed Compliance Certification.

