





BEFORE YOU BEGIN


- Please read these instructions carefully to familiarize yourself with the required tools, materials, and installation sequences. Follow the sections that pertain to your particular installation. This will help you avoid costly mistakes. In addition to proper installation, read all operating and safety instructions.
- All information in these instructions is based upon the latest product information available at the time of publication. Kohler China reserves the right to make changes in product characteristics, packaging, or availability at any time without notice.
- These instructions contain important care, cleaning, and warranty information—**please leave instructions for the consumer.**
- Before installation carefully inspect the new fixture for any signs of damage.
- This product complies with GB/T 24977-2024;

 **WARNING: Risk of injury or product damage.** Be careful when opening the door to avoid pinching fingers.

 **WARNING:** Don't use acidic or alkalic cleaners or alcohol to clean the surface. Use a dampened cloth to clean.


 **CAUTION: Risk of electric shock.** Electrical wiring may need to be relocated.


 **CAUTION: Risk of property damage.** Use anchors (not provided) rated for the loaded weight of this product. Refer to the anchor manufacturer's instructions.

 **Important Information:** This cabinet is designed for either right or left door swing. Check the wall cavity for obstructions.


安装之前


- 请仔细阅读本指引，以便熟悉所需工具、物料及安装程序。请遵照适用的章节来安装本产品，以免安装失当导致不必要的损失。除了有关正确的安装方法之外，还务请详阅所有操作及安全指引。
- 本指引所载之一切资料，均以印刷时所有之最新产品情况为基础，科勒中国保留权利随时更改产品特性、包装或供应情况，恕不另行通知。
- 本指引也包含了有关保养、清洁及担保等重要资料 - **请交予用户保存。**
- 安装之前，仔细检查产品是否有损伤。
- 本产品符合 GB/T 24977-2024。

 **警告：可能有人伤害或者产品损坏的危险。**为防止门左右移动时夹到手指，请注意推门的位置。

 **警告：**表面不能用含酸或碱性的清洁剂以及酒精清洁，请用潮布清洁。

 **警告：触电风险。**可能需要重新布线。

 **警告：财产损失风险。**请使用可承载本产品重量的膨胀螺栓（不随货提供）。请参考螺栓制造商的产品说明。

 **重要信息：**本镜柜有适用于左右开门安装的型号，请注意区别。请检查墙体内壁空间是否存在障碍物。

ACCESSORIS LIST

附件清单



Glass Shelves
玻璃层板494x110x6
2PCS(900镜柜)



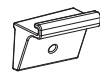
Glass Shelves
玻璃层板338x110x6
3PCS(900镜柜非冰箱版本)



Glass Shelves
玻璃层板375x110x6
2PCS(700镜柜)



Glass Shelves
玻璃层板
3PCS(700镜柜)



Clips
托举块
5PCS



Screw PWM4x10
十字盘头带介螺丝 PWM4x10
5PCS



Side Mirror
侧镜组件
2PCS



Shelf Chip
嵌入式层板架
22PCS(不带冰箱版本)
10PCS(带冰箱版本)



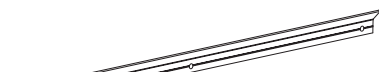
Wall Anchors
入墙胶粒
8PCS



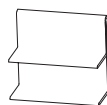
Screw ST3.5x35
十字不锈钢圆头自攻ST3.5x35
8PCS



Hair dryer holder
吹风机支架
1PCS



Mount Bar
挂墙铝材
1PCS



Extrusion, Hanging
挂架铝材
1PCS

ZHONGSHAN KOHLER SHOWER CO., LTD. NO13-1, XINGYE ROAD, ZHONGSHAN TORCH DEVELOPMENT ZONE, ZHONGSHAN, GUANGDONG, CHINA POST CODE: 528437
中山科勒卫浴有限公司 广东省中山市中山火炬开发区兴业路 13-1号 邮编: 528437

© Copyright Kohler China Investment Co., Ltd. 2022

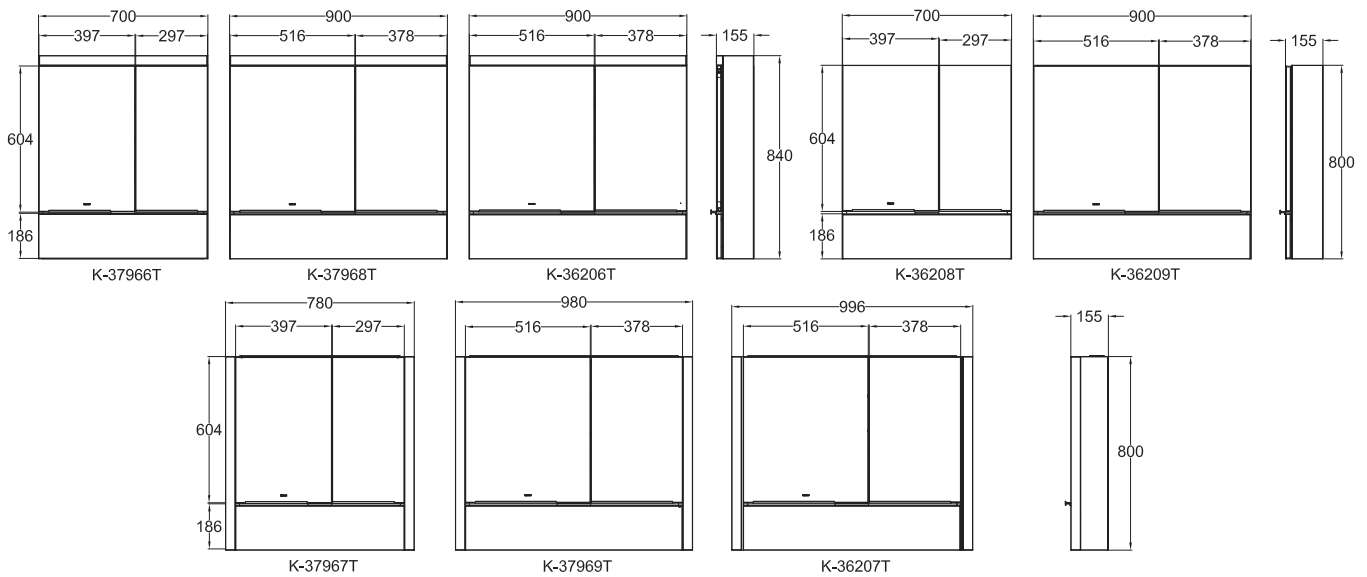
© 版权为科勒(中国)投资有限公司所有 2022

ROUGHING-IN

尺寸图

Reference Value
参考值

Unit: mm
单位: 毫米



Kohler reserves the right to change marked dimensions without prior notice.
科勒公司保留随时变更图中标示尺寸的权利，无需另行通知。

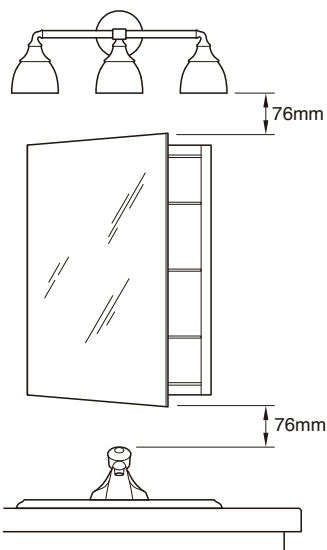
Item 序号	Electrical Function 电器功能	Type Description 规格描述	Fixate Place 安装位置
1	Defogger 防雾膜	Input: DC24V, Pmax=15W	Inside Door 镜门内部
2	Lighting 灯具	2x800 Side light Input: 24V 50Hz, Pmax=16W	Side of cabinet 镜柜两侧
		900/700 Top light Input: 220V 50Hz, Pmax=15W	Top of cabinet 镜柜顶部
3	Power Outlet 电源插座	Input/Output: AC 250V~, I _{max} =10A	Inside of mirrored cabinet 镜柜内部
4	Power Supply 电源	Input: AC 100-277V~, 50/60Hz, Output: 24V, Pmax=40W	Inside of mirrored cabinet 镜柜内部
5	Infrared switch 红外线感应开关	Input: DC24V	Side of mirrored cabinet 镜柜侧面
6	Fridge 冰箱	Input: 220V 50Hz, Pmax=58W	Right of inner cabinet 镜柜右部
7	Fridge drive 冰箱电源	Input: 220V 50Hz, Pmax=72W	Side of mirrored cabinet 镜柜侧面

注意：K-36208T, K-36209T不含电器功能。

CABINET INSTALLATION

柜体安装

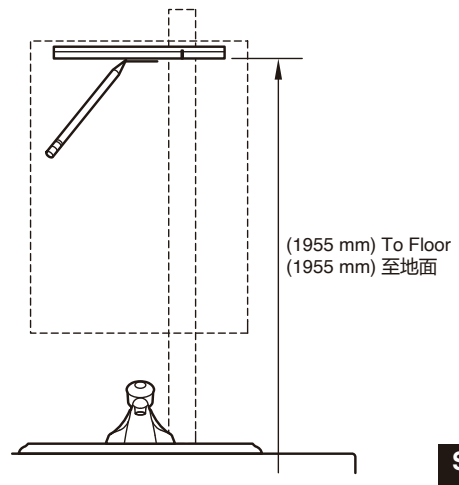
Verify minimum clearances.
确定最小间距。



STEP 1

Mark the mounting bar position (centered as desired). Mark stud locations.

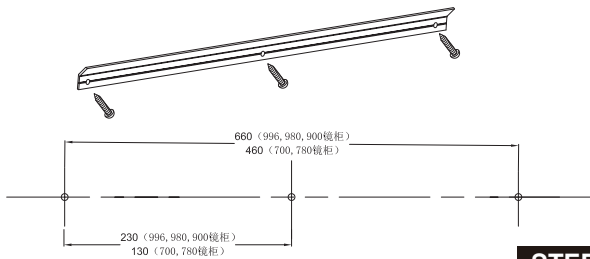
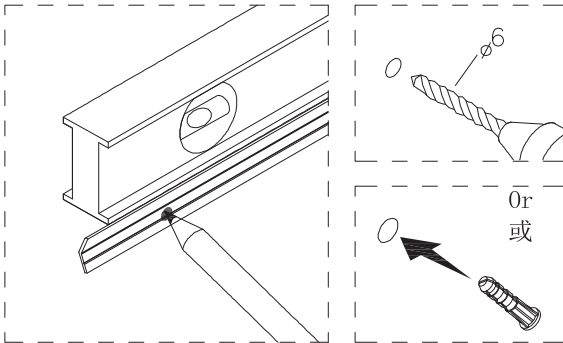
标记安装支架的位置（根据所需确定中心点）。标记螺钉的位置。



STEP 2

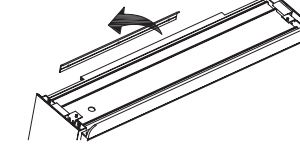
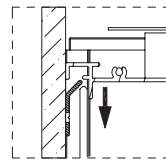
Mark hole locations on the wall. Drill holes. Insert anchors where needed.

在墙上标记安装孔的位置。钻孔。在所需处插入入墙胶粒。
Secure the bar with round-head screws.
用圆头螺钉固定安装支架。



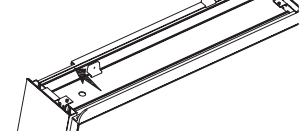
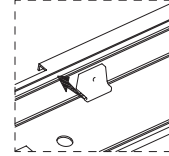
STEP
3

Lift the cabinet onto the mounting bar. Ensure the hooks engage the bar.
将镜柜抬至安装支架处。确保钩子与支架正确连接。



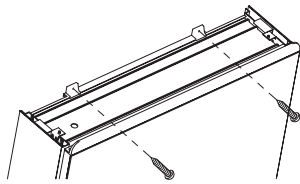
Fasten the two clips into the top slot. Ensure the cabinet is centered as desired. Drill pilot holes.

将两个夹子扣入顶部槽内。确保镜柜位于所需的中心位置。钻安装孔。



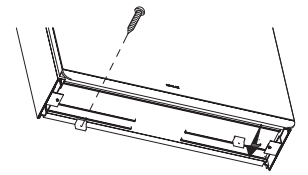
If needed, insert anchors into the wall. Secure the clips with round-headed long screws.

若有需要，将入墙胶粒插入墙面。用圆头的长螺钉固定搭扣。



Fasten the two clips into the bottom slot. Drill pilot holes and secure the clips with round-headed long screws.

将两个夹子安装底部槽内。钻安装孔。用圆头的长螺钉固定。



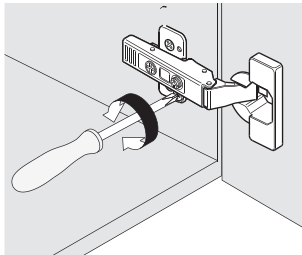
STEP
4

Installation and Adjustment of Accessories

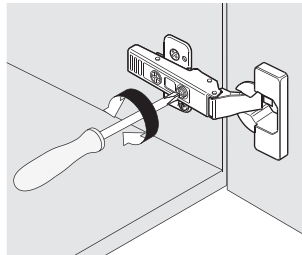
配件安装及调节

Adjust the door (only necessary if the door does not completely match the cabinet when it is closed)

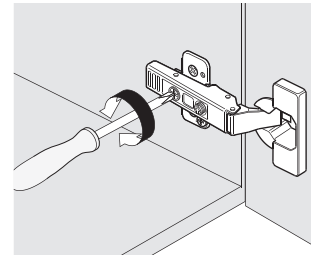
调门体（当关门时门体和柜体不完全重合时，才需要调节）。



Height Adjustment
调节高度



Side Adjustment
调节侧面



Depth Adjustment
调节深度

Install glass shelf

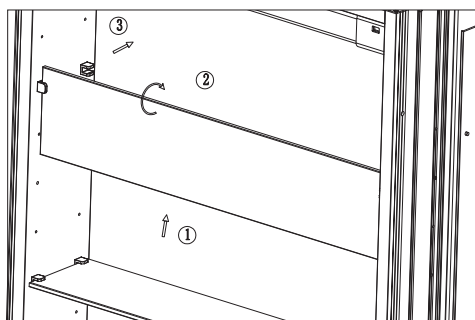
装玻璃层板

Insert the snap-in pins into the side holes.

将嵌入式层板架插入两边侧孔。

Insert the glass shelf vertically upwards and then rotate to horizontal position, as shown in the right illustration.

垂直往上穿入层板，再旋转水平后推入。



Adjust magnifying glass.

调整放大镜

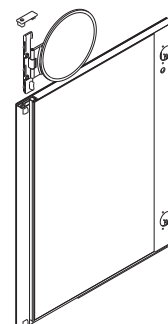
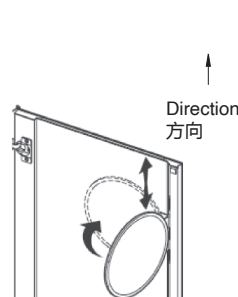
To adjust mirror height, slide up or down.

IMPORTANT! Rotate mirror in before closing the door.

上下滑动，以调节镜子高度。

重要：必须在柜门关闭前旋入镜子。

The mirror can be removed.
放大镜可以拆卸。



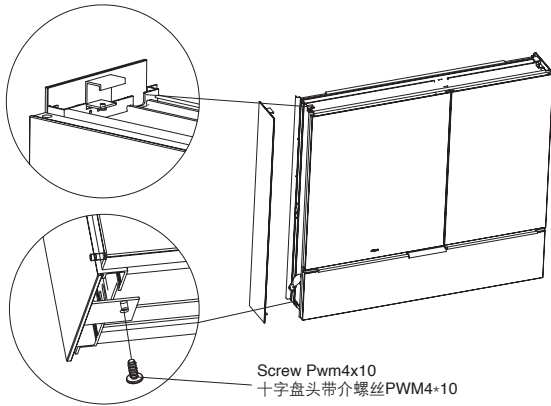
Press the button to easily move mirror up or down
按住此按钮可轻松上下移动放大镜组件

Installation of side Mirror

安装侧镜

The upper hook of the side mirror is hung to the top of the side of the cabinet, and the mounting holes of the lower support are aligned with the mounting holes, and secured by PWM4x10.

侧镜上部挂钩挂住柜体侧铝材顶部，下部支架安装孔对准安装孔，用PWM4x10固定。



Screw Pwm4x10
十字盘头带介螺丝PWM4*10

Connect to power line

电源线接入

Break off the booster handle and fix the top cover on the top of the mirror cabinet with screws after connecting the power cord.

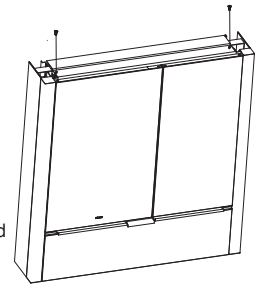
接好电源线后，把助推把手掰下来，用螺丝把顶盖固定在镜柜顶部。

Note:

- 1) LED light and defogger will be controlled by the inductive switch.
- 2) Power of the electrical equipments connected to the socket shall not exceed 2000W.

注:

- 1) 通过手扫开关控制灯和防雾膜。
- 2) 电源插座外接电器总功率不能超过2000W。



Wiring Terminal

Pull the orange handle until it is locked. Insert the wire and restore the handle.

接线端子

扳动橙色操作手柄，直至其处于竖直锁定位置，将导线插入，随后将手柄扳回原位，接线完成。

Installation of all parts of the mirror cabinet:

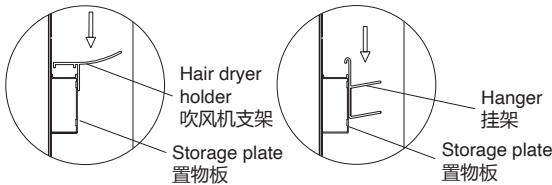
镜柜各部件安装说明:

1. Hang the hair dryer holder and the hanger on the storage plate.

1. 安装需要将吹风机支架，挂架挂在置物板上。

2. Small iron tools can be attached to the magnetic chuck on the front side of the storage plate.

2. 小的铁质工具可吸附于置物板正面的磁性吸盘。

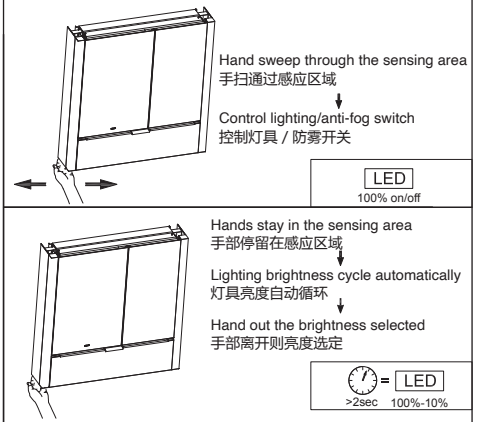
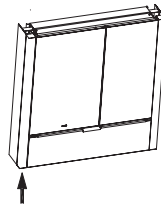


Induction switch position

Default on the left, right door mirror cabinet on the right

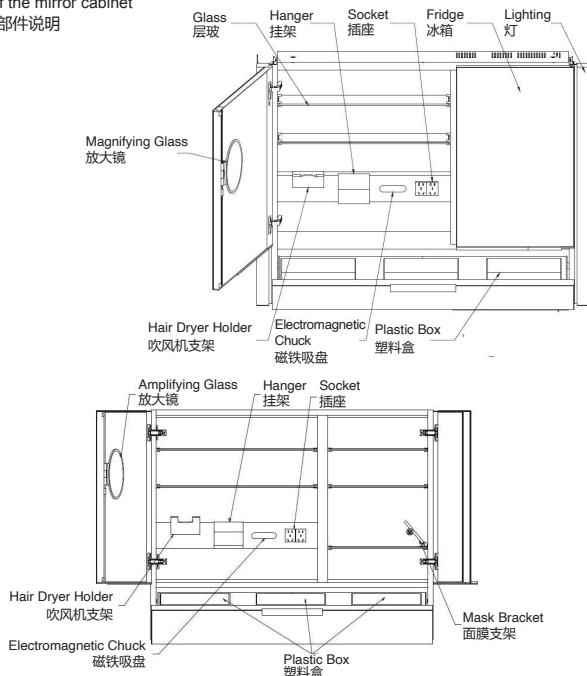
感应开关位置

默认在左边，右开门镜柜在右边



Parts of the mirror cabinet

镜柜各部件说明

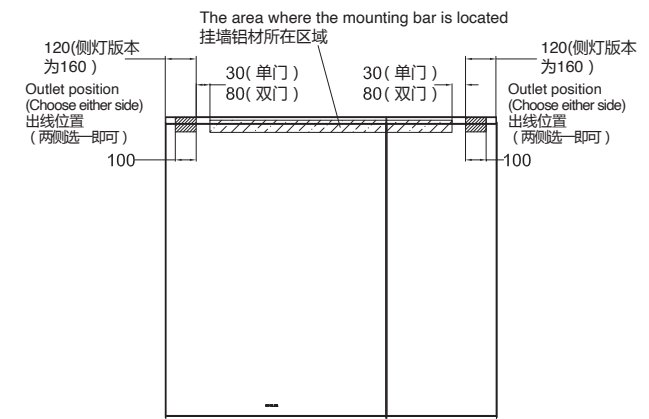


Line outlet of cabinet

镜柜出线位置图示

If hidden wiring is required, it is recommended to reserve the outlet position of the wall within the covered security range after the upper wall of the mirror cabinet is installed, and lead the wall wire to the outlet position indicated in the following figure so that it can connect with the power port on the top of the mirror cabinet.

若需隐蔽接线，建议将墙面的出线位置预留于镜柜上墙安装完毕后的覆盖安全范围内，并将墙面电线引至下图所指示的出线位置，以便其与镜柜顶部的电源接口进行对接



USER MAINTENANCE

Warning! Risk of product damage.

The bathroom shall be kept in good ventilation. Clean the cabinet with water and soft cloth. Do not use detergent containing abrasive and chemical substance.

日常维护

警告！小心产品受损。

卫生间尽量保持空气畅通，镜柜只能使用蘸有清水的湿布擦拭，勿使用含研磨剂及化学物质的清洁剂。