

安装说明

厨房水槽

记录您的型号：
Record your model number: _____

English, page 16

KOHLER[®]

1626238-T2-A

感谢您选择科勒

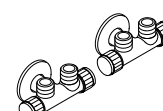
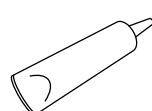
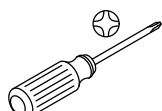
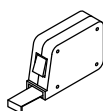
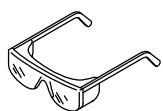
需要帮助？请联系我们的客户服务中心。

- 中国大陆：+(86) 800-820-2628, +(86) 400-820-2628
- 中国香港、中国澳门、中国台湾：+(852) 3125-7728
- 保养和清洁：kohler.com.cn/support/care-and-cleaning/

质保

本产品[®]在科勒®卫浴产品的3年有效质保范围内，详见所附的《合格证》。

工具和材料



密封硅胶








防护手套

G1/2 三通角阀

可选：

- 额外支撑
- 紧固件

开始之前

-  **警告：** 存在人身伤害风险。边缘很尖锐。安装水槽时，请佩戴防护手套和穿着长袖。
-  **警告：** 存在人身伤害或产品损坏风险。本产品很重，如果处理不慎，可能会造成人身伤害。请人帮忙抬起本产品。
-  **警告：** 产品损坏风险。请勿使用湿布、水或其他液体清洁水槽背面的底漆。
-  **警告：** 产品损坏风险。请勿自行拆卸或维修本产品。自行尝试拆卸或维修可能会影响产品性能。
-  **警告：** 存在产品损坏和烫伤的风险。喷嘴组件的最高工作温度和环境温度为 120°F (49°C)。水温过高会导致喷嘴损坏和严重烫伤。
-  **小心：** 存在产品损坏和人身伤害风险。喷嘴应远离加热器。
-  **小心：** 产品损坏和财产损失风险。将水槽安装到有足够支撑的表面上。根据台面制造商的说明，除非添加额外支撑，否则不要将水槽安装到某些台面上。

重要信息! 请向台面制造商提供厨房水槽随附的开孔模板。

重要信息! 严禁使用毛刷或钢丝绒等磨砂材料清洁水槽表面和喷嘴。用温和的肥皂和温水来清洗水槽表面和喷嘴。许多清洁剂可能含有氨、氯、座便器清洁剂等，这些化学物质可能会对水槽表面和喷嘴造成不良影响，因此不建议使用。

重要信息! 在大面积使用清洁剂之前，请先在不显眼的区域小面积测试清洁剂，确保所使用清洁剂不会对产品造成不良影响。涂抹清洁剂后，请立即擦拭水槽表面并用水彻底冲洗干净。如清洁剂喷洒过量至附近其他区域表面，请冲洗干净并擦干保持表面干爽。

注： 喷嘴组件的工作压力范围为 0.1 兆帕 (1 巴) 至 0.5 兆帕 (5 巴)。如果压力超过 0.5 兆帕 (5 巴)，请安装减压器。

订购台面时，请向台面供应商提供水槽型号。

为了连接冷水和热水供水管和进水管，需要两个 G1/2 三通角阀（未随附）。

请遵守当地管路安装及建筑条例。

安装必须由有资质的专业人员完成。

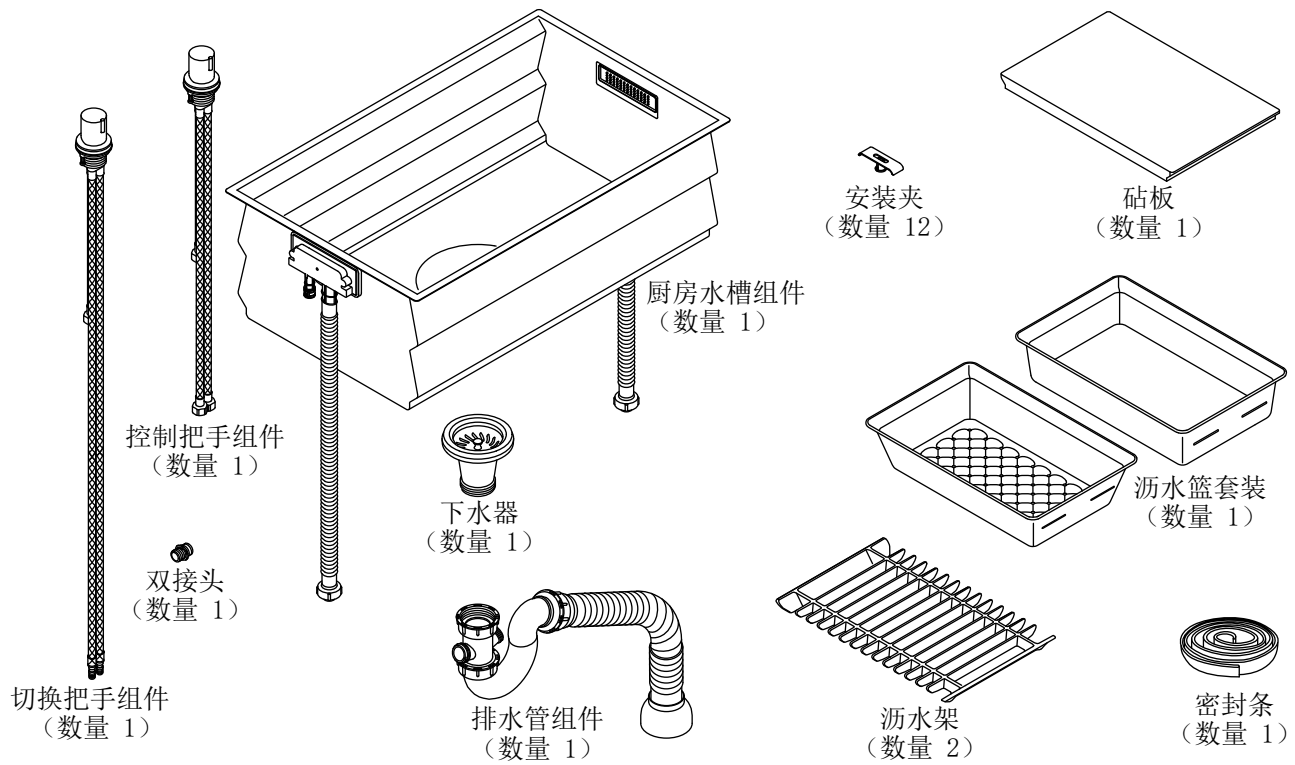
安装前，打开新厨房水槽的包装，检查产品是否损坏。在准备好安装产品之前，请将水槽放回其包装箱中。

检查软管是否有任何损坏迹象。如有必要，请更换相关零部件。

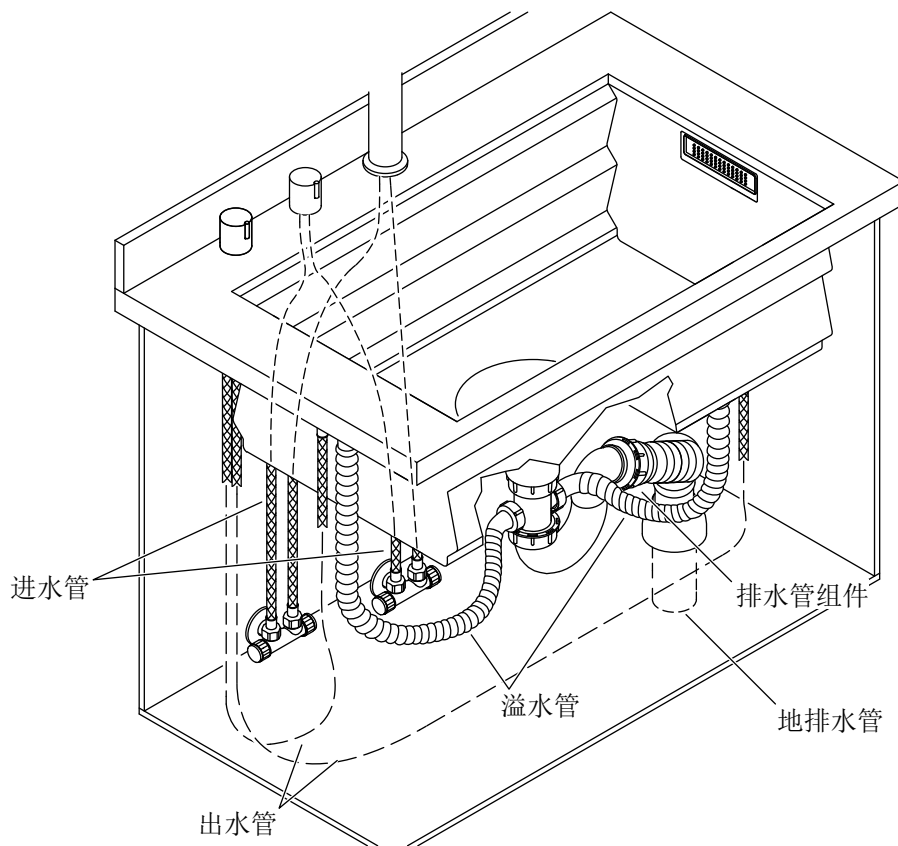
关闭供水系统。

本产品符合 Q/KLCW 1 标准。

产品概览



1. 安装场地准备



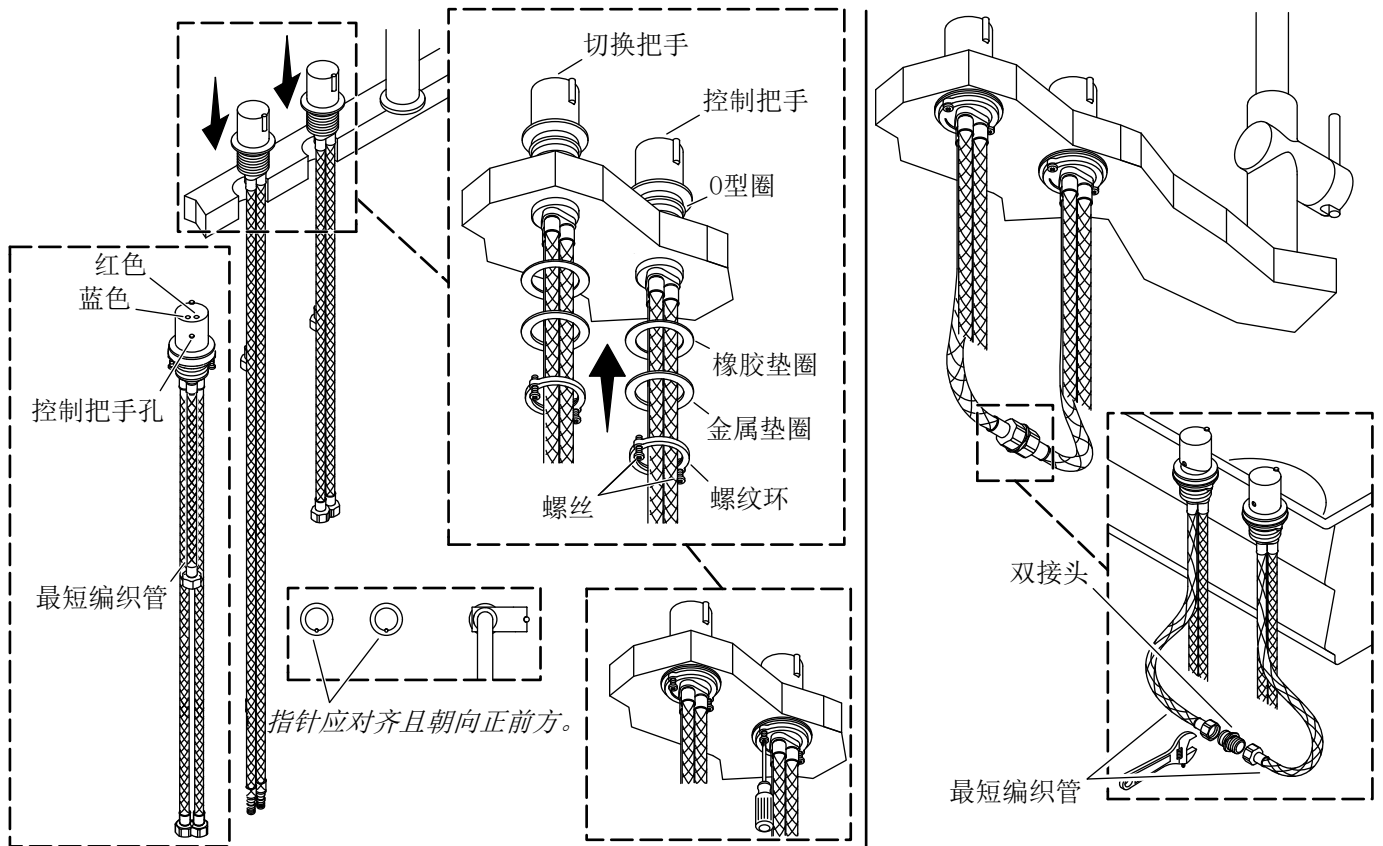
⚠ 小心： 存在水流受限和产品损坏风险。安装时，供水管、出水管、进水管、溢水管和排水管组件不得绷紧、打结或扭曲。

重要信息！ 为全部所需组件预留充足的空间，以使厨房水槽、把手、龙头和柜体不会相互干扰。

重要信息！ 为您的台面制造商提供厨房水槽随附的开孔模板。厨房水槽和把手的安装表面厚度必须小于 1-3/16" (30 mm)。

- 在台面开孔之前，检查厨房水槽、把手、龙头、排水管和柜体之间的间隙。
- 与台面制造商核实厨房水槽和把手的放置以及开孔尺寸。
- 确认排水管组件足够靠近地排水管，以便连接。
- 根据龙头制造商的说明安装龙头。
- 关闭供水系统。

2. 安装把手



⚠️ 小心： 存在水流受限和产品损坏风险。安装时，编织软管不得绷紧、打结或扭曲。

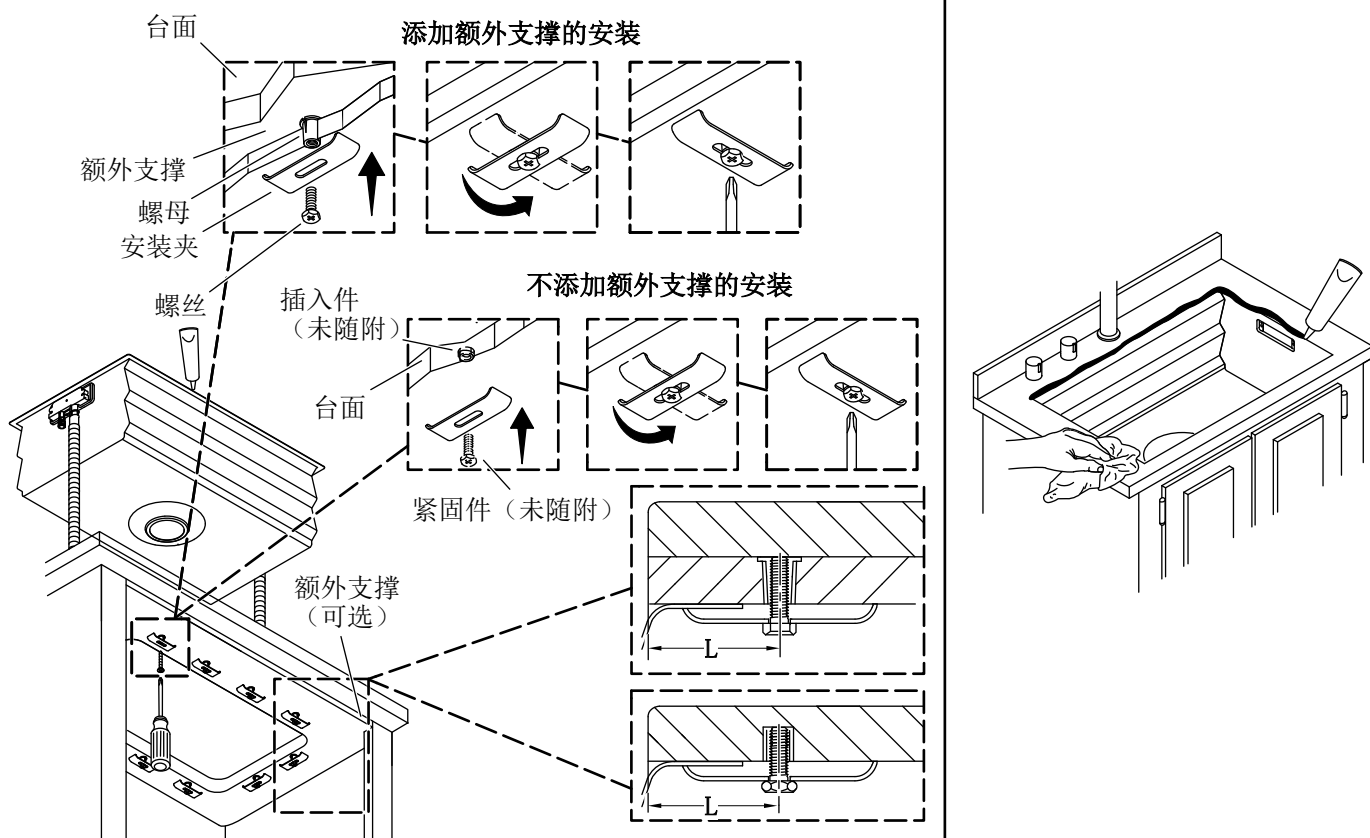
重要信息！ 把手安装孔深度必须小于 1-3/16" (30 mm)。控制把手和切换把手必须安装在正确的把手安装孔中。安装时，把手上的指针应对齐并指向正前方。

注： 识别控制把手和切换把手。控制把手顶部的红点表示热水，蓝点表示冷水。

注： 螺纹环上已预装两个未拧紧的螺丝。

- 确认控制把手孔与最短编织管对齐。根据需要调整控制把手。
- 将 O 型圈安装到每个把手的底部。
- 将切换把手插入左侧安装孔，将控制把手插入右侧安装孔。
- 将橡胶垫圈和金属垫圈穿过软管，直至牙管根部。
- 将螺纹环旋紧在牙管上，直至橡胶垫圈接触台面底部。
- 确认指针指向正前方。
- 用螺丝刀拧紧螺纹环上的两个螺丝。
- 对另一个把手重复上述操作。
- 将每个把手的最短编织管拧到相应的双接头端部。用活动扳手拧紧连接处。

3. 安装水槽



警告： 存在人身伤害或产品损坏风险。本产品很重，如果处理不慎，可能会造成人身伤害。在抬起和移动本产品时应有人帮助。

警告： 存在人身伤害风险。边缘很尖锐。安装水槽时，请佩戴防护手套和穿着长袖。

重要信息！ 根据台面材料及台面制造商的要求，考虑在台面和厨房水槽之间安装额外支撑（未随附）。任何所需的支撑应由台面制造商指定。

重要信息！ 对于层压台面，请确认开孔区域附近的所有裸露的非层压表面都已经处理并密封，以防止吸水受潮造成损坏。

注意： 如果在安装夹安装过程中遇到任何复杂问题，您可以根据台面制造商或有资质的专业人员的建议，以其他可靠的方式进行安装。

注： 对于不添加额外支撑的安装，台面厚度必须小于 1-3/16" (30 mm)。对于添加额外支撑的安装，台面和额外支撑的总厚度必须小于 1-3/16" (30 mm)。

注： 对于不添加额外支撑的安装，台面制造商应将插入件预先安装到台面底部。紧固件未随附，且由台面制造商指定。

□ 清洁台面顶部和底部以及厨房水槽边缘。

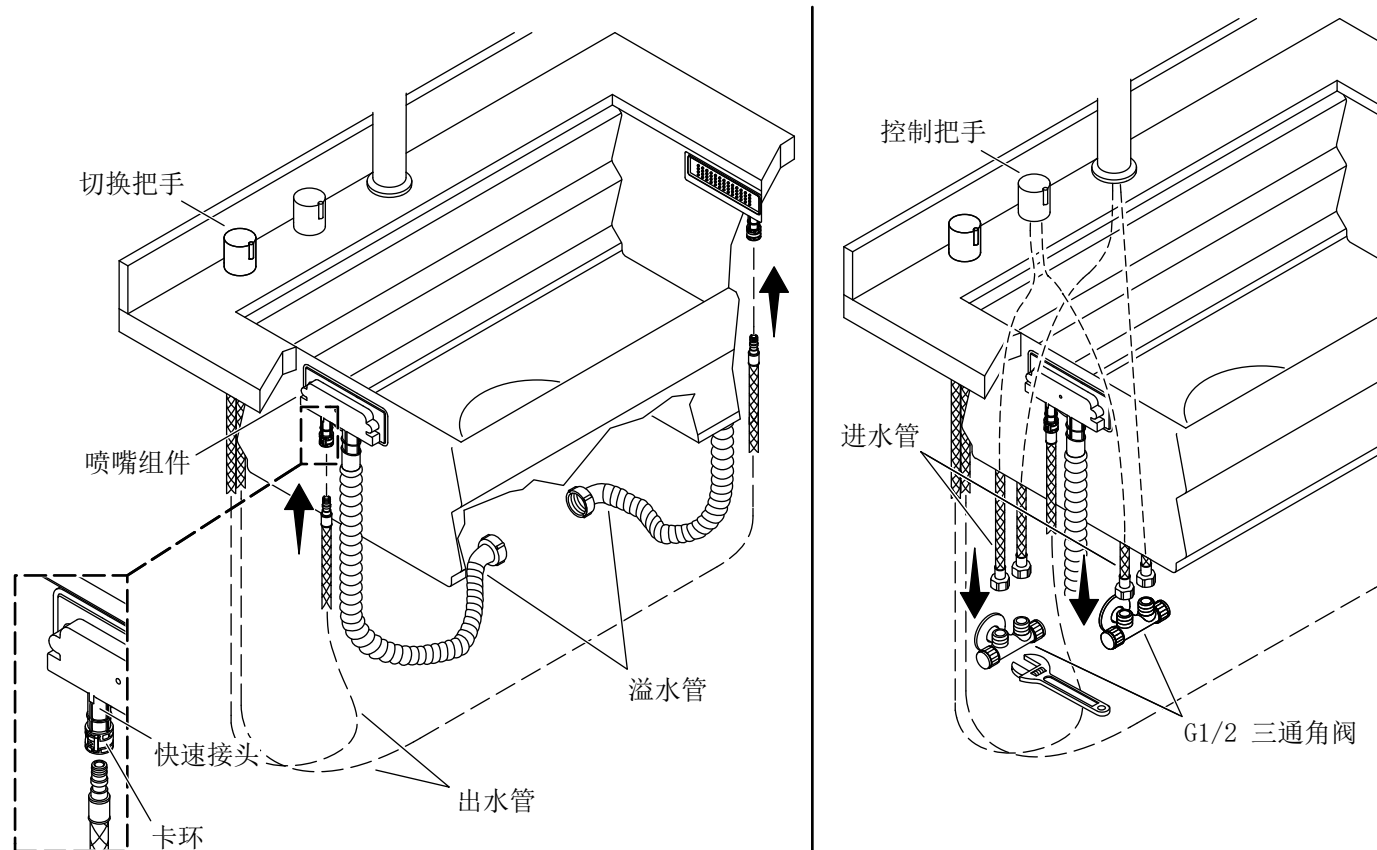
添加额外支撑以安装安装夹

- 确认额外支撑厚度是否与随附的螺母相匹配。将额外支撑安装到台面底部。
- 从额外支撑底部，测量并确定安装孔中心与开口边缘之间的距离（L）。建议距离 L 为 1-3/8" (35 mm)，可能会根据台面制造商的要求而有所不同。
- 将随附的一颗螺母置入每个安装孔中。
- 将安装夹均匀排布于额外支撑底部的螺母上。
- 用随附的螺丝将安装夹松散地安装到额外支撑底部，不要拧紧。确认安装夹的朝向不影响厨房水槽的安装。

不添加额外支撑以安装安装夹

- 从台面底部，测量并确定安装孔中心与开口边缘之间的距离（L）。建议距离 L 为 1-3/8" (35 mm)，可能会根据台面制造商的要求而有所不同。
- 确认每个安装孔中都已预先安装插入件（未随附）。
- 将安装夹均匀排布于台面底部的插入件上。
- 用紧固件（未随附）将安装夹松散地安装到台面底部，不要拧紧。确认安装夹的朝向不影响厨房水槽的安装。
- 在厨房水槽内侧边缘涂抹密封硅胶。
- 将厨房水槽抬到安装位置。
- 旋转安装夹并拧紧。**不可过度拧紧！**
- 在厨房水槽外侧边缘与安装表面之间的接缝处涂抹密封硅胶。
- 擦掉多余的密封硅胶并填充空隙。
- 按照密封硅胶制造商的说明，使密封硅胶固化。

4. 连接出水管、进水管和供水管



⚠️ 小心： 存在水流受限和产品损坏风险。安装时，出水管、进水管、溢水管和供水管不得绷紧、打结或扭曲。

⚠️ 小心： 存在财产或产品受损风险。推拉喷嘴组件可能会导致漏水。

注意： 每个喷嘴组件都已预装溢水管。

注： 使用两个 G1/2 三通角阀（未随附）连接控制把手的冷水和热水进水管和龙头的冷水和热水供水管。

注： 在连接进水管和供水管之前，分别打开冷水和热水冲洗以清除两个 G1/2 三通角阀内的任何杂质。

注： 如果需要，按住卡环，将出水管从喷嘴组件上断开。

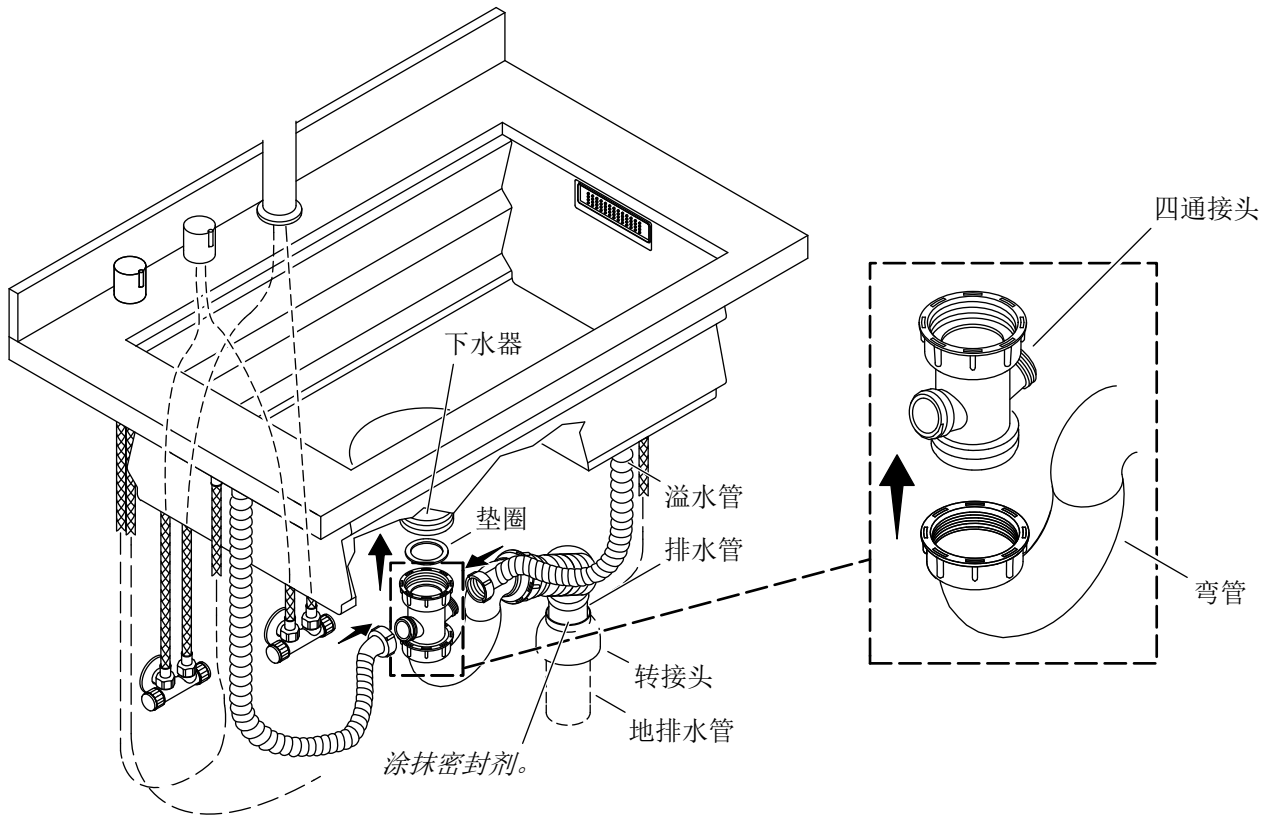
连接出水管

- 将左侧出水管接入左侧喷嘴组件上的快速接头，直到听到咔嗒声。
- 将右侧出水管接入右侧喷嘴组件上的快速接头，直到听到咔嗒声。

连接进水管和供水管

- 将冷水进水管（蓝色）拧到冷水角阀（未随附）的一个接头上。
- 将热水进水管（红色）拧到热水角阀（未随附）的一个接头上。
- 将龙头冷水和热水供水管分别拧到冷水和热水角阀的另一个接头上。
- 用活动扳手拧紧所有连接处。**不可过度拧紧！**

5. 安装下水器和排水管

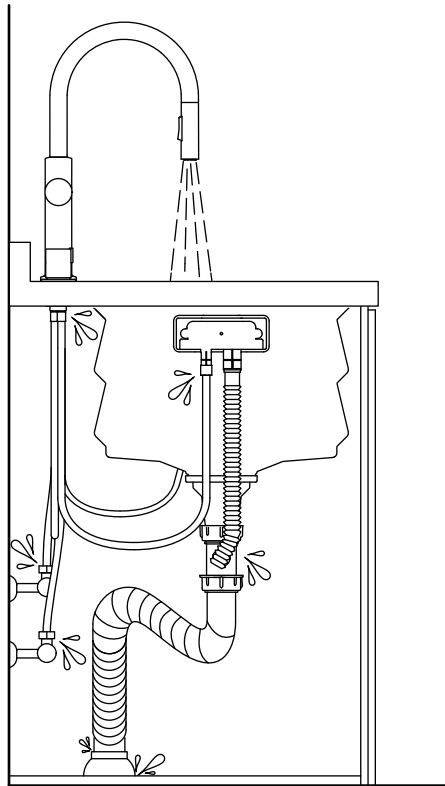


⚠️ 小心： 存在水流受限和产品损坏风险。安装时，溢水管不得绷紧、打结或扭曲。

⚠️ 小心： 产品损坏风险。请勿过度拧紧排水管道连接处。

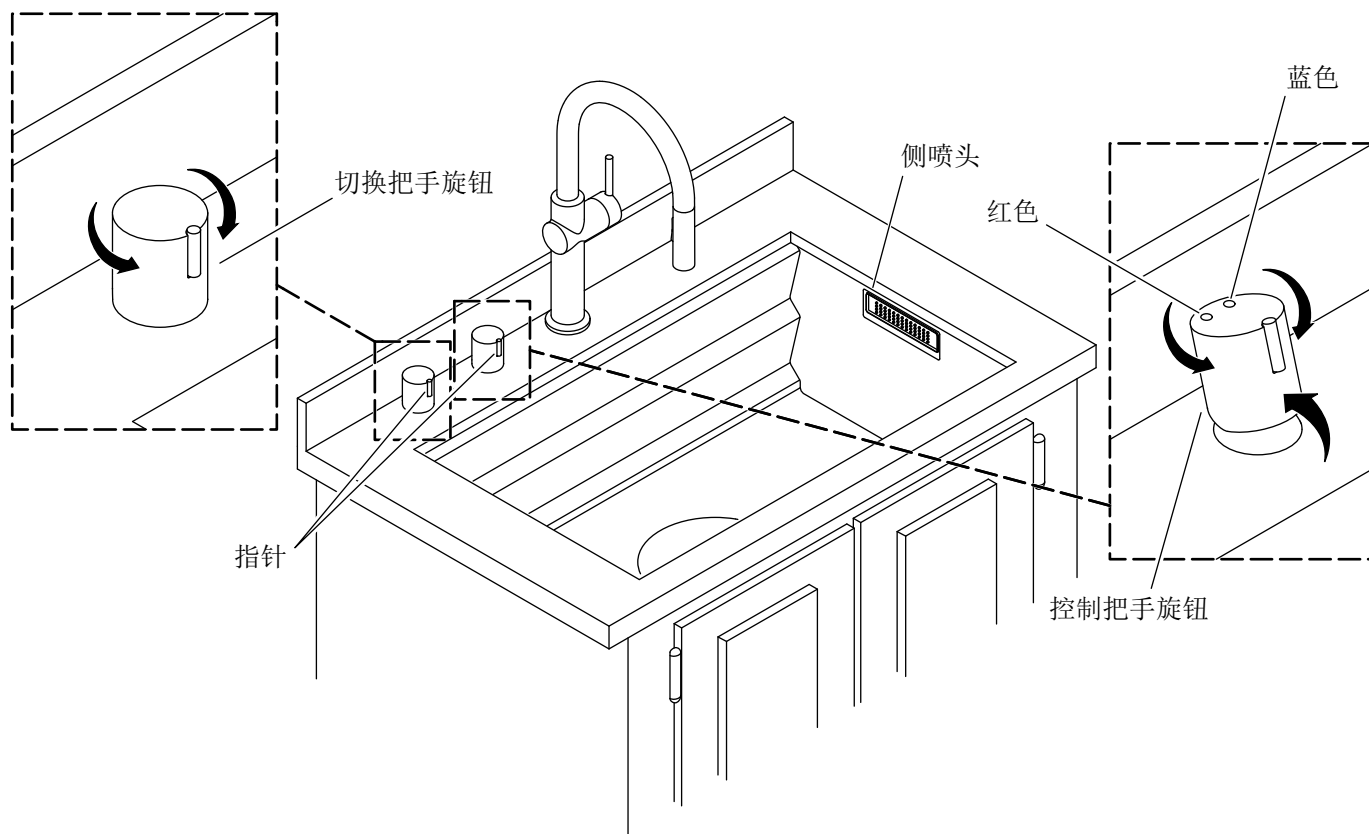
- 按照下水器附带的说明安装下水器。
- 将弯管牢固地拧紧到四通接头上。
- 从厨房水槽下方，将垫圈安装到下水器底端。
- 将四通接头牢固地拧紧到下水器上。
- 如图所示，将每个喷嘴组件的溢水管安装到四通接头上。
- 在排水管和转接头之间的接缝处涂抹密封剂。
- 完成转接头和地排水管的连接。

6. 完成安装



- 确认所有连接处均已紧固。
- 打开供水系统。
- 确认控制把手处于打开位置。
- 检查所有连接处有无漏水。根据需要调整。
- 用冷水和热水冲洗 1 分钟以去除杂质。
- 测试把手是否正常操作。请参阅“把手操作”章节。

把手操作



注： 识别控制把手和切换把手。控制把手顶部的红点表示热水，蓝点表示冷水。

注： 控制把手用于调节冷水和热水。切换把手可激活不同的喷水模式：左侧喷水、右侧喷水和两侧喷水。

注： 只有当控制把手处于打开位置时，切换把手才能工作。

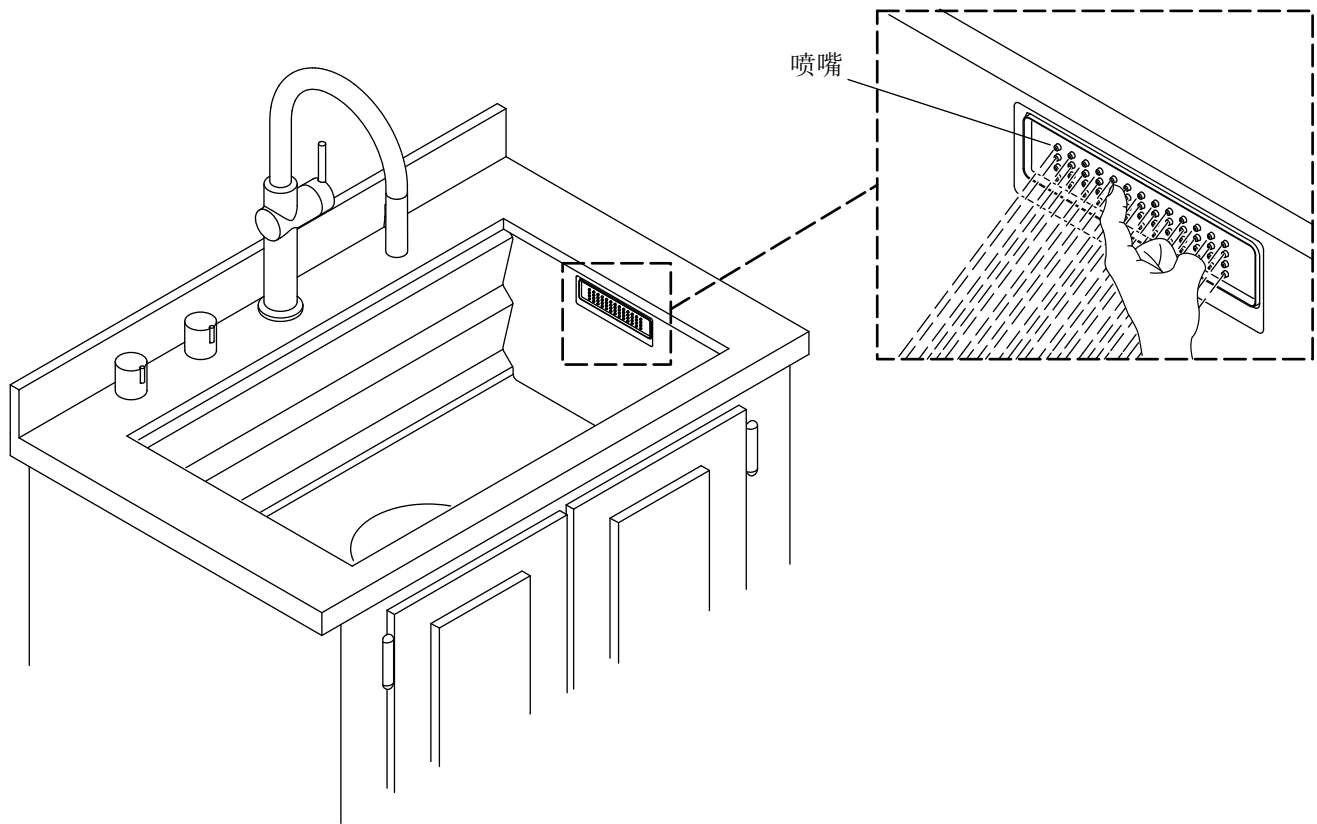
控制把手

- 翻提控制把手旋钮以打开水流。
- 按顺时针方向转动控制把手旋钮以开启冷水。
- 按逆时针方向转动控制把手旋钮以开启热水。
- 调节控制把手旋钮以调节水温。
- 将控制把手旋钮按回默认位置以关闭水流。

切换把手

- 将切换把手的指针置于中间以启动两侧喷水。
- 按顺时针方向转动切换把手旋钮直到指针位于左侧，以启动左侧喷水。
- 按逆时针方向转动切换把手旋钮直到指针位于右侧，以启动右侧喷水。

清洁喷嘴

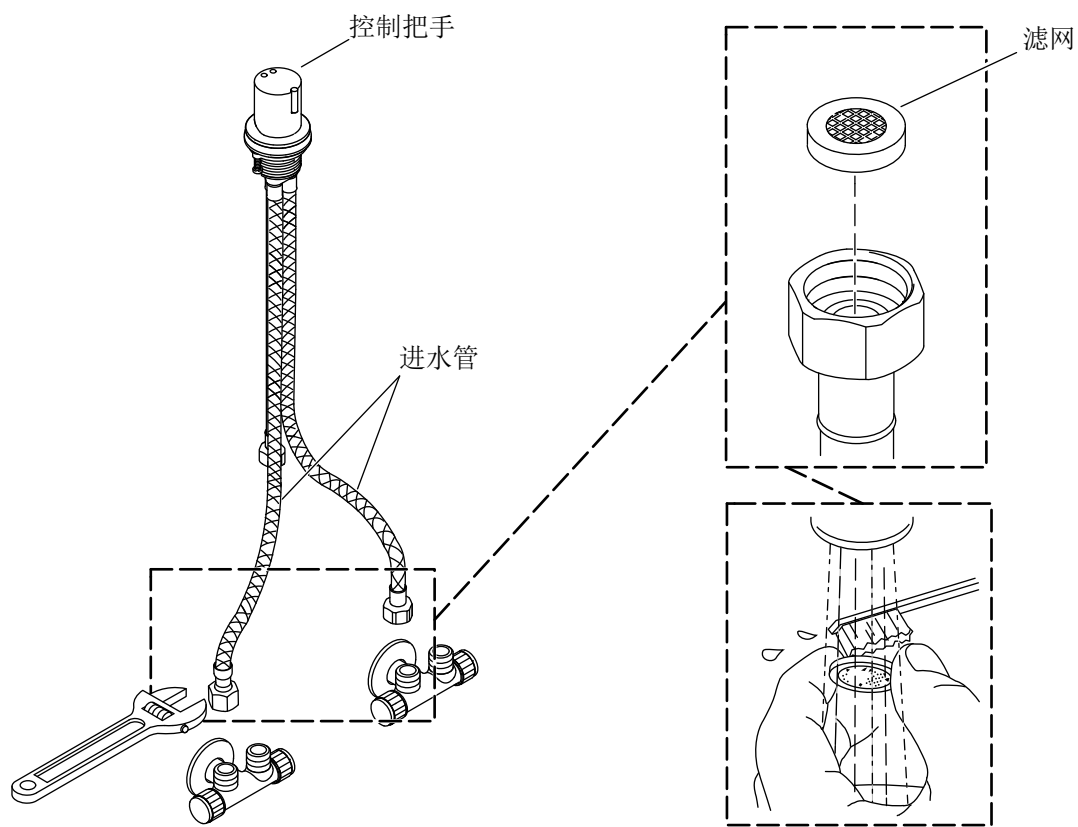


⚠ 警告：产品损坏风险。请勿使用硬物、锋利工具或磨砂材料如摩擦力强的刷子或擦洗垫等清洁喷嘴。

重要信息! 许多清洁剂可能含有氨、氯、座便器清洁剂等，这些化学物质可能会损坏喷嘴。清洁不当可能会影响喷嘴性能。

- 打开侧喷水。
- 喷嘴出水时，用手指摩擦喷嘴，以清除杂质。

清洁滤网



注： 滤网位于控制把手进水管内。

- 关闭供水系统。
- 从角阀上断开进水管。
- 用软毛刷清洁滤网。
- 将进水管重新连接并拧紧到角阀上。
- 打开供水系统。

故障排除

本故障排除指南仅供一般辅助之用。如需保修服务，请联系您的经销商或批发商，或使用本手册前面的信息联系客户服务中心。

故障表现	可能原因	建议措施
1. 无水流。	<ul style="list-style-type: none">A. 角阀处于关闭状态。B. 控制把手处于关闭位置。C. 一个或多个软管扭结。D. 一个或多个滤网堵塞。	<ul style="list-style-type: none">A. 打开角阀。B. 将控制把手移动到打开位置。请参阅“把手操作”章节。C. 根据需要调整软管，以消除任何扭结。D. 清洁滤网。请参阅“清洁滤网”章节。
2. 水流较小。	<ul style="list-style-type: none">A. 角阀处于部分关闭状态。B. 控制把手处于部分关闭状态。C. 一个或多个软管扭结或扭曲。D. 一个或多个滤网堵塞。E. 水压低。	<ul style="list-style-type: none">A. 完全打开角阀。B. 将控制把手移动到完全打开位置。C. 根据需要调整软管，以消除任何扭结。D. 根据需要安装过滤器。清洁滤网或过滤器。请参阅“清洁滤网”章节。E. 将水压调整到 0.1 兆帕（1 巴）至 0.5 兆帕（5 巴）之间，以保持最佳水流。
3. 喷水模式不佳。	<ul style="list-style-type: none">A. 喷嘴堵塞。	<ul style="list-style-type: none">A. 在喷嘴出水时，用手指摩擦喷嘴，以清除杂质。

Installation Instructions

Kitchen Sink

Thank You for Choosing KOHLER

Need help? Contact our Customer Care Center.

- Mainland China: +(86) 800-820-2628, +(86) 400-820-2628
- Hong Kong (China), Macau (China), Taiwan (China): +(852) 3125-7728
- Care and cleaning: kohler.com.cn/support/care-and-cleaning/

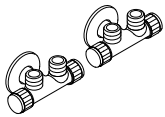
Warranty

This product is covered under the **Three-Year Limited Warranty for KOHLER® Plumbing Products**, found in the packed Compliance Certification.

Tools and Materials



Silicone Sealant Protective Gloves










G1/2 3-Way Angle Valves

Optional:

- Additional Support
- Fasteners

Before You Begin

-  **WARNING: Risk of personal injury.** Edges are sharp. Wear protective gloves and long sleeves when installing the sink.
-  **WARNING: Risk of personal injury or product damage.** The product is heavy and can cause injury if handled carelessly. Get help lifting the product.
-  **WARNING: Risk of product damage.** Do not use wet cloth, water, or other liquid to clean the undercoating on the back of the sink.
-  **WARNING: Risk of product damage.** Do not disassemble, or service the product by yourself. Attempting to do so yourself may affect the product performance.
-  **WARNING: Risk of product damage and scalding.** The maximum working and ambient temperature for the nozzle assemblies is 120°F (49°C). High water temperature can cause damage to the spray nozzles and severe burns.
-  **CAUTION: Risk of product damage and personal injury.** Keep the spray nozzles away from a heater.
-  **CAUTION: Risk of product and property damage.** Install the sink to an adequately supported surface. Do not install the sink to certain countertops unless additional support is provided according to the countertop manufacturer's instructions.

IMPORTANT! Provide your countertop manufacturer with the cut-out template provided with your kitchen sink.

IMPORTANT! Never use an abrasive material such as a brush or scouring pad to clean the sink surface and spray nozzles. Clean the sink finish and spray nozzles with mild soap and warm water. Many cleaners may contain chemicals, such as ammonia, chlorine, toilet cleaner etc. which could adversely affect the sink finish and spray nozzles and are not recommended for use.

IMPORTANT! Always test your cleaning solution on an inconspicuous area before applying to the entire surface. Wipe the sink surface clean and rinse completely with water immediately after applying cleaner. Rinse and dry any overspray that lands on nearby surfaces.

NOTE: The operating pressure range for the nozzle assemblies is 0.1 MPa (1 bar) to 0.5 MPa (5 bar). If the pressure exceeds 0.5 MPa (5 bar), install a pressure reducer.

Provide your countertop supplier with your kitchen sink model number when ordering your countertop.

To connect the cold and hot water supply hoses and water inlet hoses, two G1/2 3-way angle valves (not provided) are required.

Follow all local plumbing and building codes.

Installation must be done by a qualified professional only.

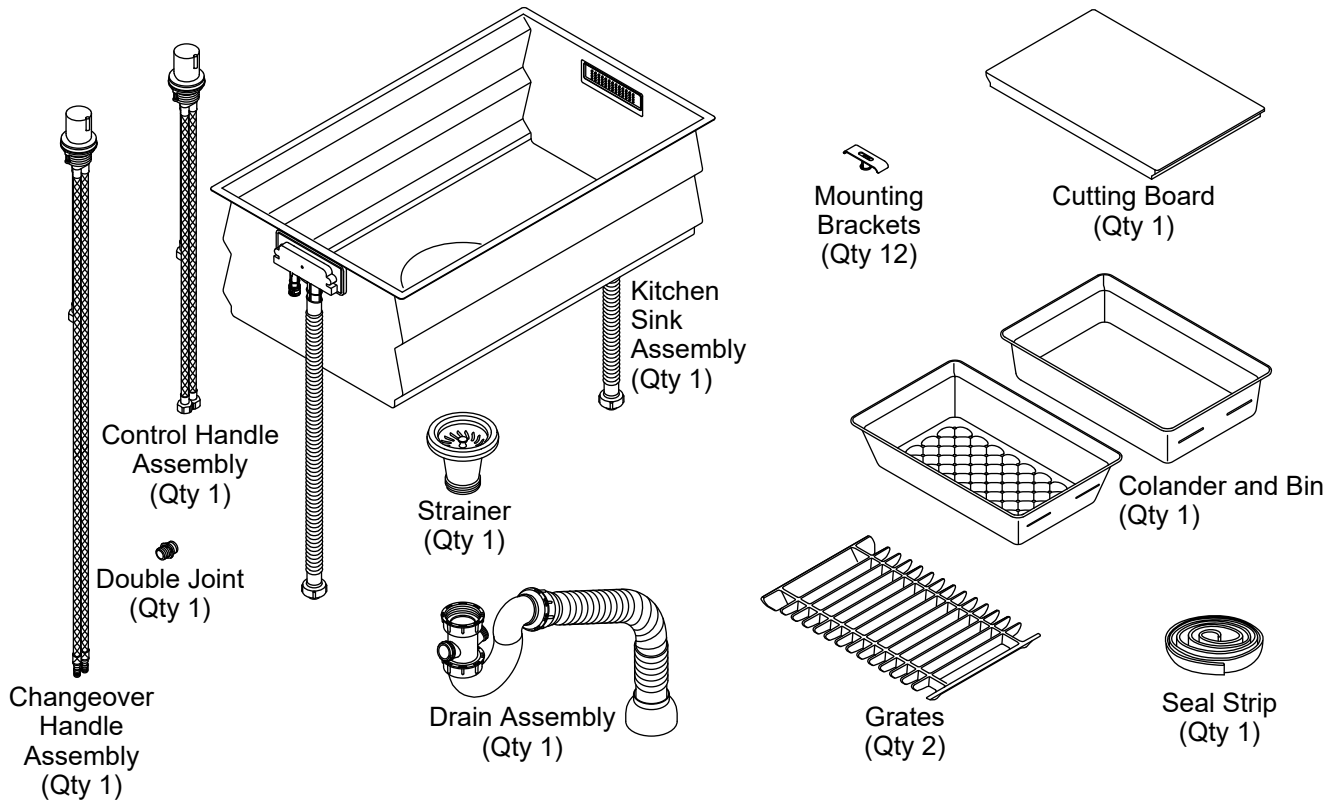
Before installation, unpack the new kitchen sink and inspect the product for damage. Return the sink to its protective carton until you are ready to install the product.

Inspect the hoses for any signs of damage. Replace if necessary.

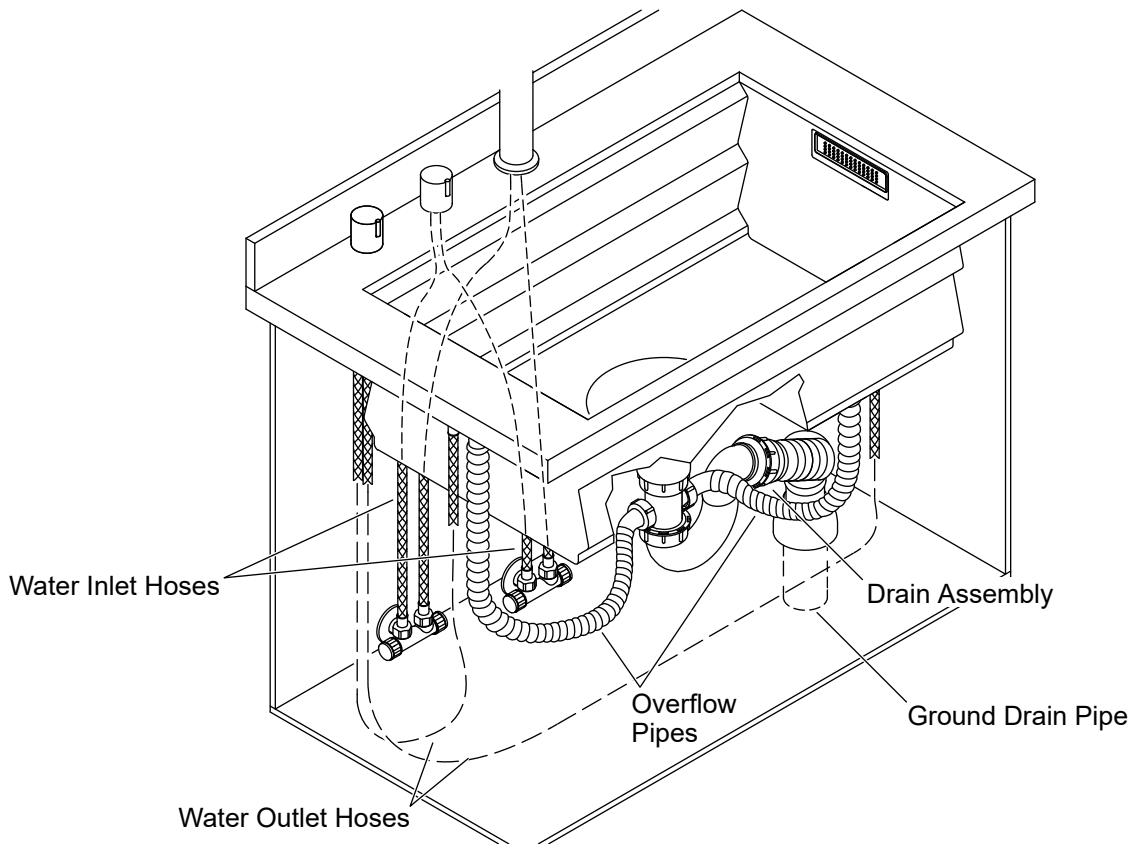
Turn OFF the water supplies.

The product complies with Q/KLCW 1.

Product Overview



1. Prepare the Site



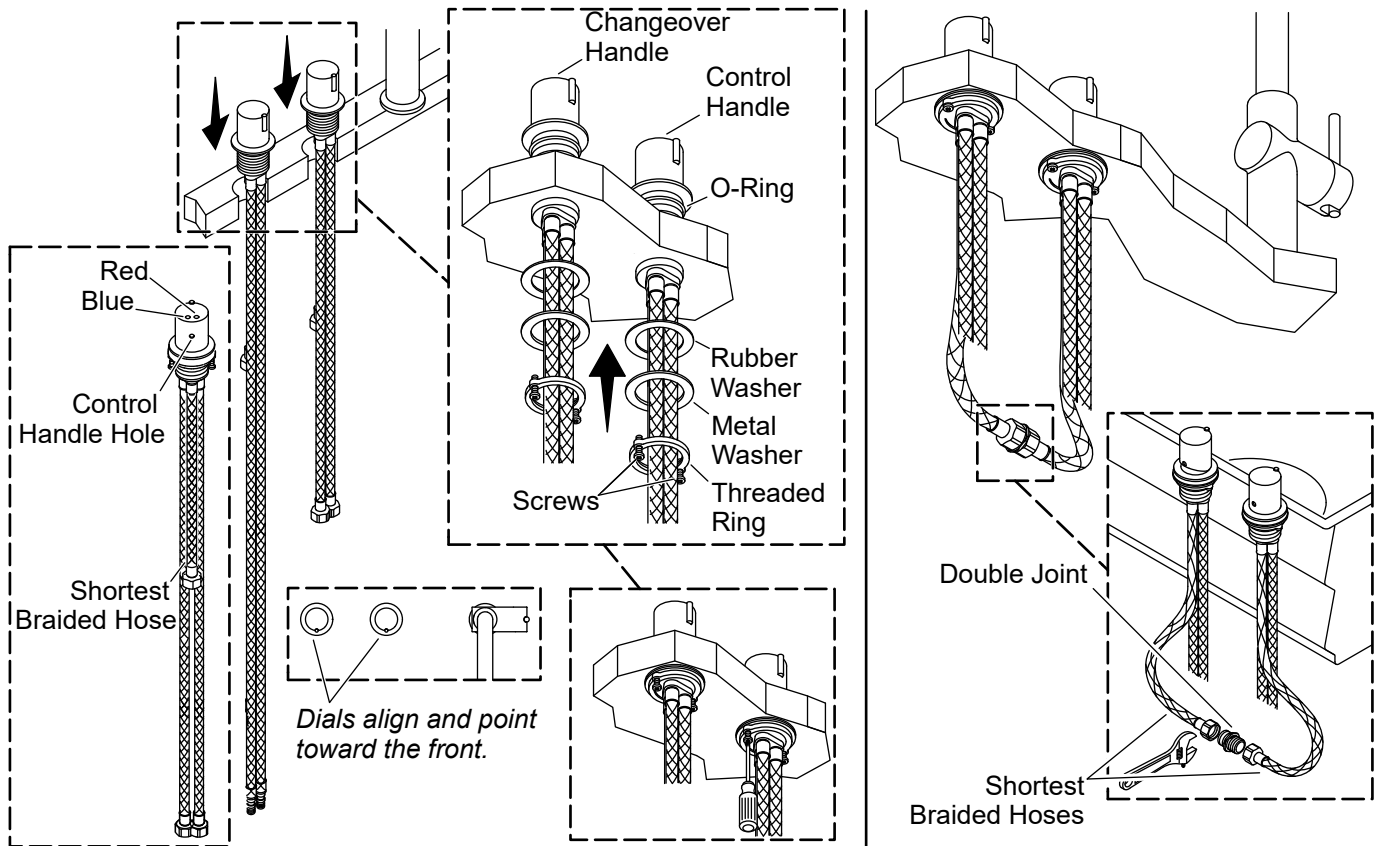
⚠ CAUTION: Risk of restricted water flow and product damage. The supply hoses, water outlet hoses, water inlet hoses, overflow pipes, and drain assembly must not be taut, kinked, or twisted when installed.

IMPORTANT! Allow adequate clearances for all required components so that the kitchen sink, handles, faucet, and cabinet will not interfere with each other.

IMPORTANT! Provide your countertop manufacturer with the cut-out template provided with your kitchen sink. The mounting surface thickness for the kitchen sink and handles must be less than 1-3/16" (30 mm).

- Verify the clearances between the kitchen sink, handles, faucet, drain, and cabinet before the countertop is cut out.
- Verify the kitchen sink and handles placement and the cutout dimensions with the countertop manufacturer.
- Verify that the ground drain pipe is accessible to the drain assembly for connection.
- Install the faucet according to the faucet manufacturer's instructions.
- Turn OFF the water supplies.

2. Install the Handles



⚠ CAUTION: Risk of restricted water flow and product damage. The braided hoses must not be taut, kinked, or twisted when installed.

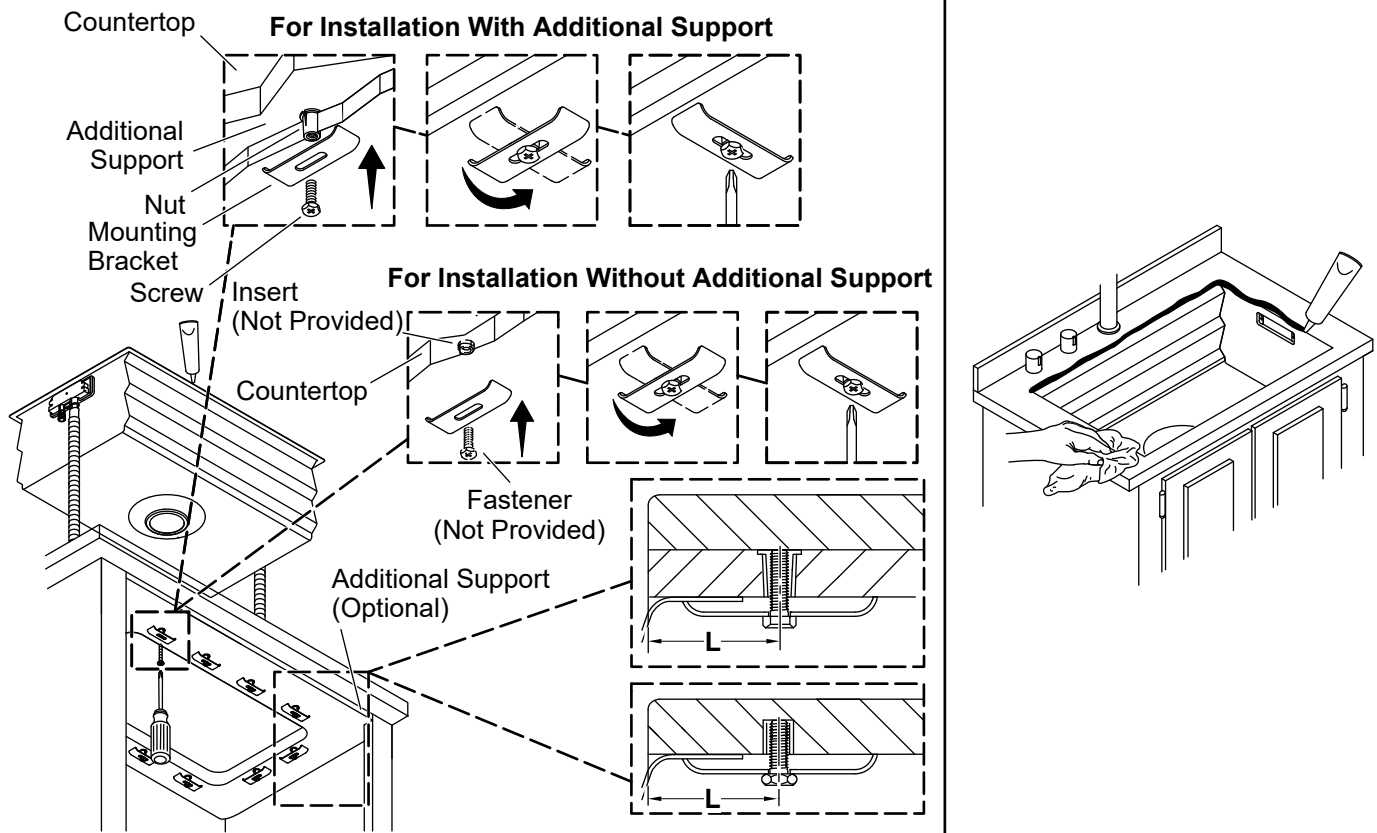
IMPORTANT! The handle mounting hole depth must be less than 1-3/16" (30 mm). The control handle and changeover handle must be installed in the correct handle mounting holes. The dials on the handles should align and point toward the front when installed.

NOTE: Identify the control handle and the changeover handle. The control handle has a red dot indicating hot water and a blue dot indicating cold water at the top.

NOTE: The threaded ring is loosely preinstalled with two screws.

- Verify that the control handle hole aligns with the shortest braided hose. Adjust the control handle as needed.
- Install the O-ring to the underside of each handle.
- Insert the changeover handle in the left mounting hole and the control handle in the right mounting hole.
- Slide the rubber washer and metal washer over the hoses and up to the shank.
- Thread the threaded ring onto the shank until the rubber washer contacts the underside of the countertop.
- Verify that the dial points toward the front.
- Using a screwdriver, tighten the two screws on the threaded ring.
- Repeat for the other handle.
- Thread the shortest braided hose of each handle to the corresponding end of the double joint. Tighten the connections with an adjustable wrench.

3. Install the Sink



⚠ WARNING: Risk of personal injury or product damage. The product is heavy and can cause injury if handled carelessly. Get help lifting and moving the product.

⚠ WARNING: Risk of personal injury. Edges are sharp. Wear protective gloves and long sleeves when installing the sink.

IMPORTANT! Depending on the countertop materials, consider installing additional support (not provided) between the countertop and the kitchen sink according to the countertop manufacturer's requirements. Any required support should be determined by the countertop manufacturer.

IMPORTANT! For a laminate countertop, verify that all the exposed non-laminated surfaces around the cutout area are finished and sealed to prevent damage from water absorption.

NOTICE: If you encounter any complications with the mounting bracket installation options, you may install in other reliable ways according to recommendations from the countertop manufacturer or a qualified professional.

NOTE: For installation without additional support, the countertop thickness must be less than 1-3/16" (30 mm). For installation with additional support, the total thickness of the countertop and additional support must be less than 1-3/16" (30 mm).

NOTE: For installation without additional support, the countertop manufacturer should preinstall the inserts into the underside of the countertop. Fasteners are not included and are determined by the countertop manufacturer.

Clean the top and underside of the counter and the rim of the kitchen sink.

Install the Mounting Brackets With Additional Support

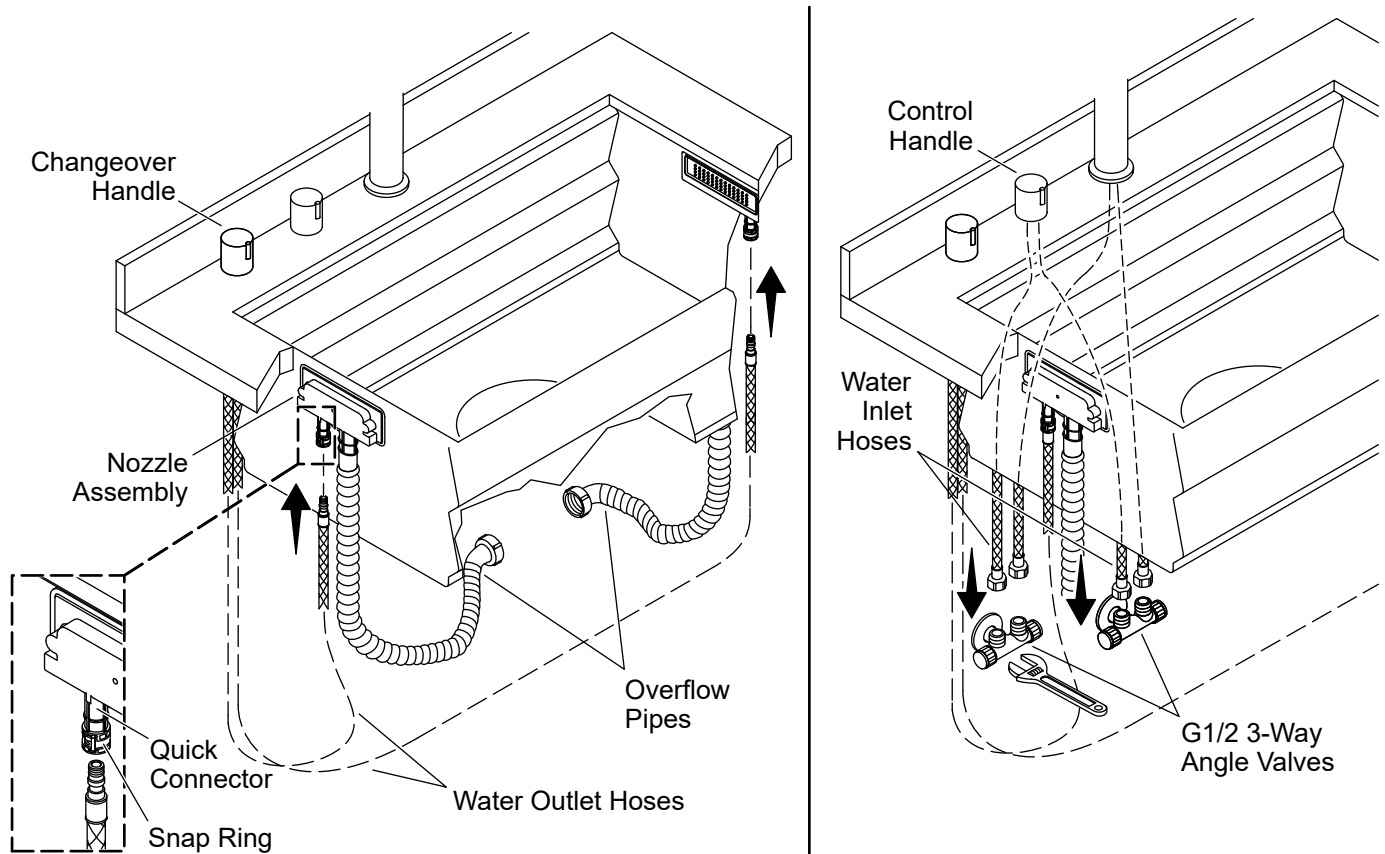
- Verify that the additional support thickness matches the nuts provided. Mount the additional support to the underside of the countertop.
- Measure and locate the distance (L) between the mounting hole center and the edges of the opening from the underside of the additional support. The recommended distance L is 1-3/8" (35 mm) and may vary depending on the countertop manufacturer's requirements.
- Place one provided nut into each mounting hole.
- Space the mounting brackets over the nuts from the underside of the additional support.
- Loosely attach the mounting brackets with the provided screws. Verify that the mounting bracket orientation does not interfere with the kitchen sink installation.

Install the Mounting Brackets Without Additional Support

- Measure and locate the distance (L) between the mounting hole center and the edges of the opening from under the countertop. The recommended distance L is 1-3/8" (35 mm) and may vary depending on the countertop manufacturer's requirements.
- Verify that an insert (not provided) is preinstalled into each mounting hole.
- Space the mounting brackets over the inserts from the underside of the countertop.
- Loosely attach the mounting brackets with fasteners (not provided). Verify that the mounting bracket orientation does not interfere with the kitchen sink installation.

- Apply silicone sealant near the inside edges of the kitchen sink.
- Lift the kitchen sink into place.
- Rotate the mounting brackets and tighten evenly. **Do not overtighten!**
- Apply silicone sealant along the seam between the outside edges of the kitchen sink and the mounting surface.
- Wipe away any excess silicone sealant and fill voids.
- Allow the silicone sealant to cure following the silicone sealant manufacturer's instructions.

4. Connect the Water Outlet Hoses, Water Inlet Hoses and Supply Hoses



CAUTION: Risk of restricted water flow and product damage. The water outlet hoses, water inlet hoses, overflow pipes and supply hoses must not be taut, kinked, or twisted when installed.

CAUTION: Risk of property or product damage. Pushing and pulling on the nozzle assemblies may cause water leakage.

NOTICE: The overflow pipe is preinstalled for each nozzle assembly.

NOTE: Use two G1/2 3-way angle valves (not provided) for connecting the cold and hot water inlet hoses from the control handle and the cold and hot water supply hoses from the faucet.

NOTE: Flush cold and hot water to remove any debris from the two G1/2 3-way angle valves before connecting the water inlet hoses and supply hoses.

NOTE: If needed, press the snap ring to disconnect the water outlet hose from the nozzle assembly.

Connect the Water Outlet Hoses

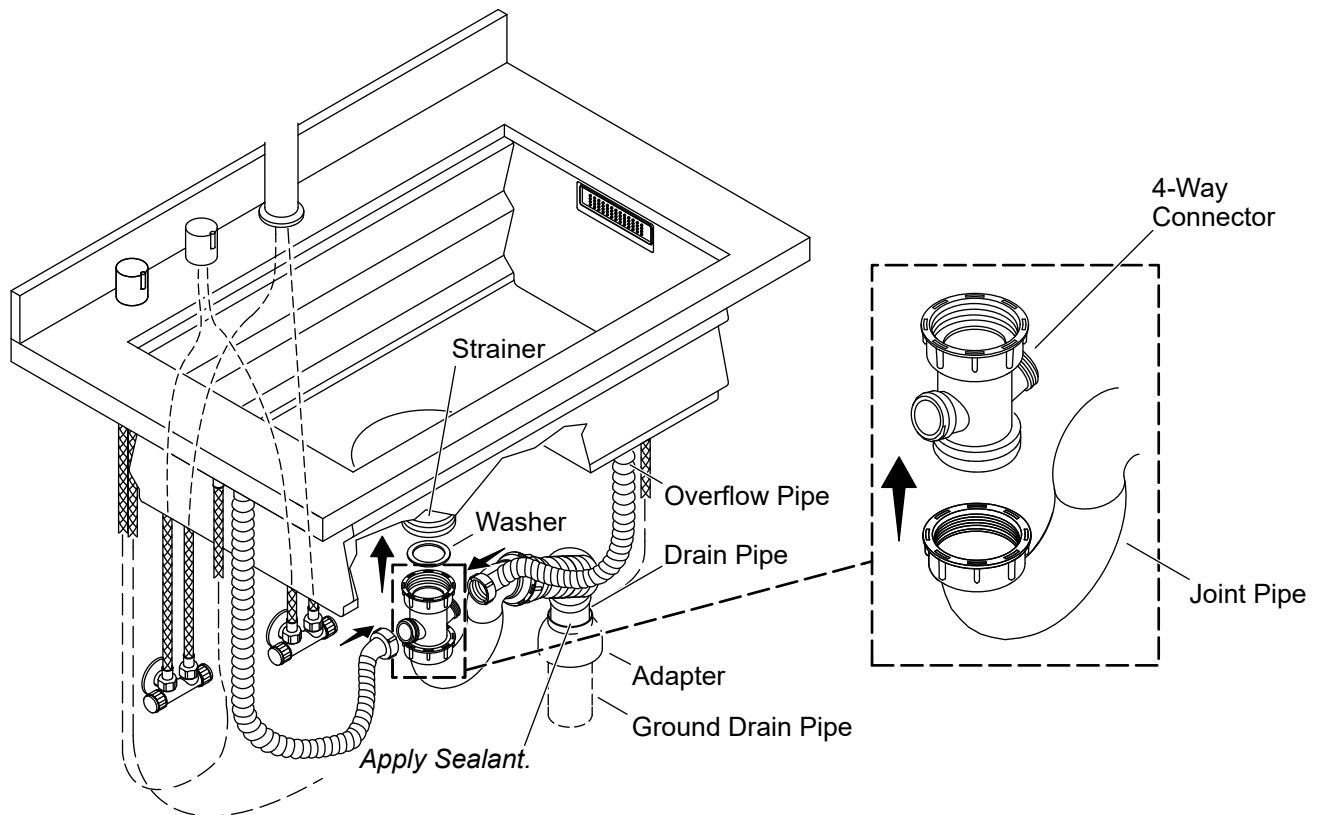
- Push the left water outlet hose into the quick connector on the left nozzle assembly until you hear an audible click.
- Push the right water outlet hose into the quick connector on the right nozzle assembly until you hear an audible click.

Connect the Water Inlet Hoses and Supply Hoses

- Thread the cold water inlet hose (blue) onto one connector of the cold water angle valve (not provided).
- Thread the hot water inlet hose (red) onto one connector of the hot water angle valve (not provided).

- Thread the cold and hot water supply hoses from the faucet onto the remaining connector of the cold and hot water angle valves, respectively.
- Tighten all the connections using an adjustable wrench. **Do not overtighten!**

5. Install the Strainer and the Drain

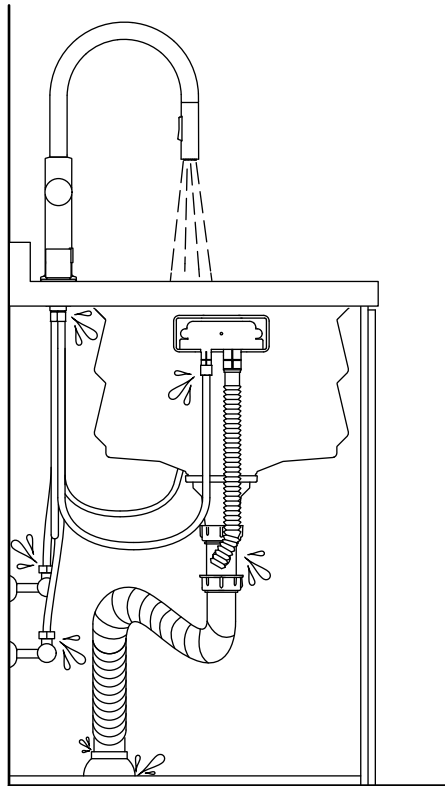


⚠ CAUTION: Risk of restricted water flow and product damage. The overflow pipes must not be taut, kinked, or twisted when installed.

⚠ CAUTION: Risk of product damage. Do not overtighten the drain connections.

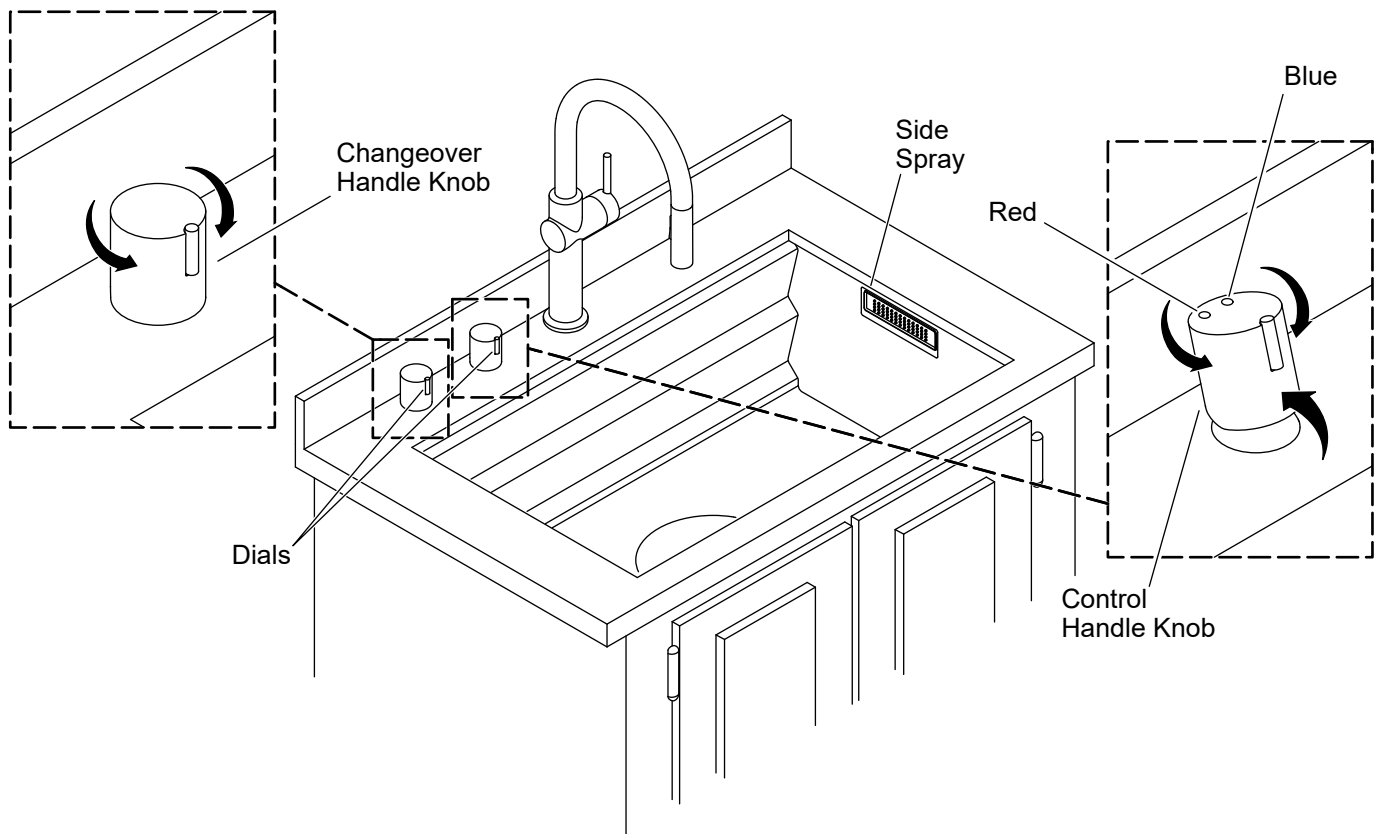
- Install the strainer following the instructions included with the strainer.
- Thread and securely tighten the joint pipe onto the 4-way connector.
- From the underside of the kitchen sink, slide the washer onto the bottom end of the strainer.
- Thread and securely tighten the 4-way connector onto the strainer.
- Install the overflow pipe of each nozzle assembly to the 4-way connector, as shown.
- Apply sealant to the seam between the drain pipe and adapter.
- Complete the adapter and ground drain pipe connection.

6. Complete the Installation



- Verify that all connections are tight.
- Turn ON the water supplies.
- Verify that the control handle is in the ON position.
- Check all connections for leaks. Adjust as needed.
- Flush cold and hot water for 1 minute to remove any debris.
- Test the handles for proper operation. Refer to the "Handle Operation" section.

Handle Operation



NOTE: Identify the control handle and the changeover handle. The control handle has a red dot indicating hot water and a blue dot indicating cold water on the top surface.

NOTE: The control handle regulates cold water and hot water. The changeover handle activates different spray modes: the left spray, the right spray, and both side sprays.

NOTE: The changeover handle works only when the control handle is in the ON position.

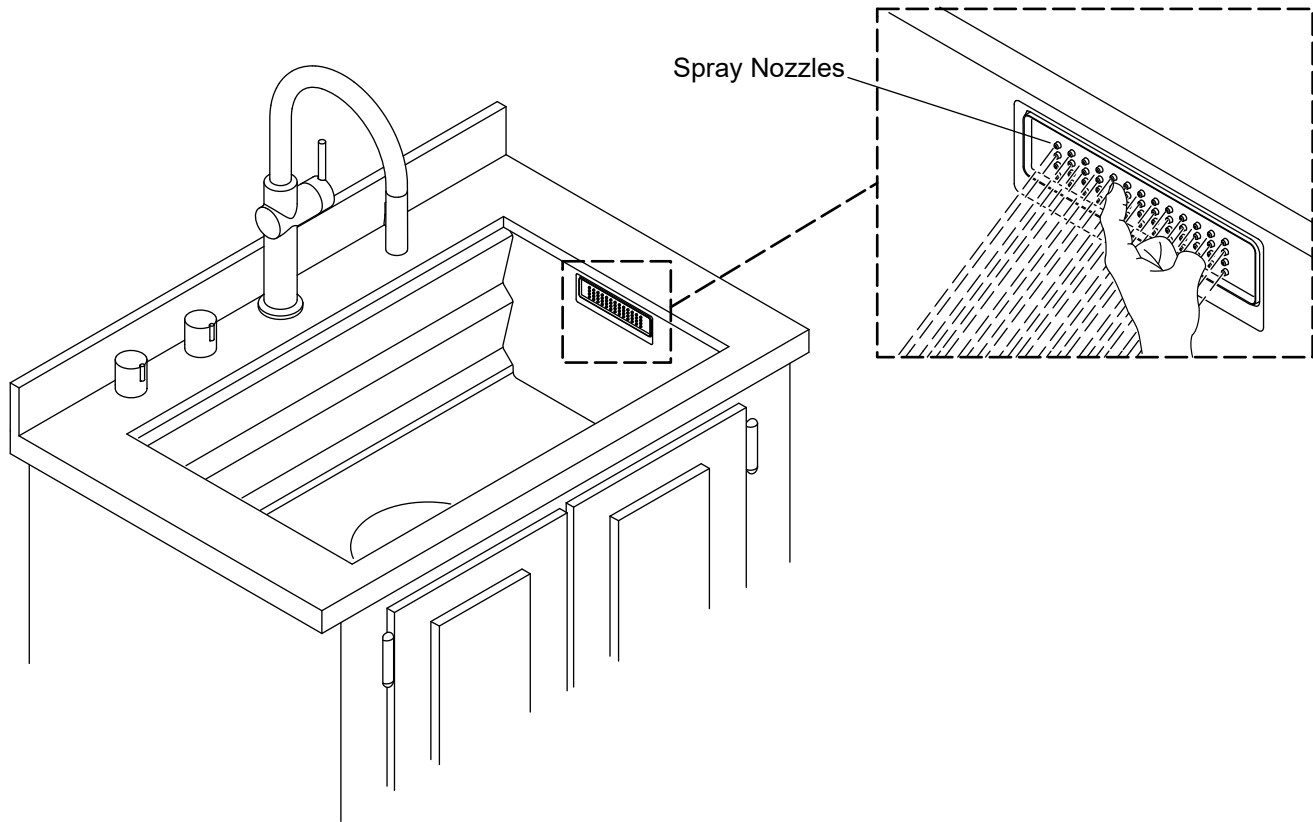
Control Handle

- Pull up the control handle knob to start water flow.
- Turn the control handle knob clockwise for cold water.
- Turn the control handle knob counterclockwise for hot water.
- Adjust the control handle knob to the desired water temperature.
- Push the control handle knob back down to the default position to turn OFF the water.

Changeover Handle

- Position the changeover handle knob with the dial in the middle to activate both side sprays.
- Turn the changeover handle knob clockwise until the dial is on the left to activate the left side spray.
- Turn the changeover handle knob counterclockwise until the dial is on the right to activate the right side spray.

Cleaning the Spray Nozzles

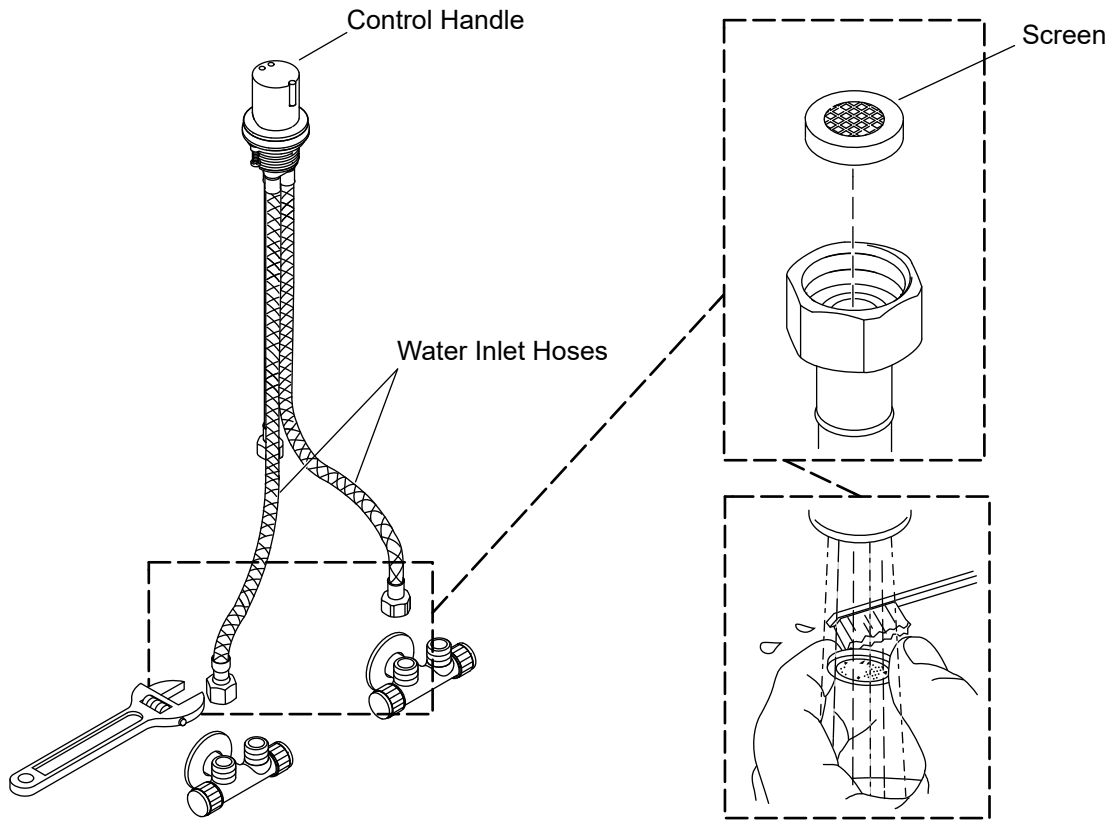


⚠ WARNING: Risk of product damage. Do not use hard objects, sharp tools, or an abrasive material such as a brush or scouring pad to clean spray nozzles.

IMPORTANT! Many cleaners may contain chemicals, such as ammonia, chlorine, and toilet cleaner which could damage the spray nozzles. Improper cleaning may affect spray nozzle performance.

- Turn ON the side sprays.
- Rub your finger over the spray nozzles with water running to dislodge debris.

Cleaning the Screens



NOTE: The screens are located inside the water inlet hoses of the control handle.

- Turn OFF the water supplies.
- Disconnect the water inlet hoses from the angle valves.
- Clean the screens with a soft-bristled brush.
- Reconnect the water inlet hoses to the angle valves.
- Turn ON the water supplies.

Troubleshooting

This troubleshooting guide is for general aid only. For warranty service, contact your dealer or wholesale distributor, or contact the Customer Care Center using the information located in the front of this manual.

Symptoms	Probable Cause	Recommended Action
1. No water flow.	<ul style="list-style-type: none"> A. The angle valves are closed. B. The control handle is in the closed position. C. One or more hoses are kinked. D. One or more screens are clogged. 	<ul style="list-style-type: none"> A. Open the angle valves. B. Move the control handle to the open position. Refer to the "Handle Operation" section. C. Adjust the hoses as needed to remove any kinks. D. Clean the screens. Refer to the "Cleaning the Screens" section.
2. Low water flow.	<ul style="list-style-type: none"> A. The angle valves are partially closed. B. The control handle is partially closed. C. One or more hoses are kinked or twisted. D. One or more screens are clogged. E. Water pressure is low. 	<ul style="list-style-type: none"> A. Fully open the angle valves. B. Move the control handle to the fully open position. C. Adjust the hoses as needed to remove any kinks. D. Install filters as needed. Clean the screens or filters. Refer to the "Cleaning the Screens" section. E. Adjust the water pressure within 0.1 MPa (1 bar) to 0.5 MPa (5 bar) for maintaining optimal water flow.
3. Poor spray pattern.	<ul style="list-style-type: none"> A. The spray nozzles are clogged. 	<ul style="list-style-type: none"> A. Rub your finger over the nozzles with water running to dislodge debris.

kohler.com.cn

THE BOLD LOOK
OF **KOHLER**®

©2025 Kohler Co.



1626238-T2

1626238-T2-A