

NOTE: before cutting countertop  
Allow for handle clearance  
注意: 在切割台面之前, 请留出  
安装龙头的空间。

FINISHED WALL / BACK SPLASH  
完工墙面/防溅挡板

CENTERLINE OF FITTING  
安装中线

70 mm

64 mm

# KOHLER

## K-2215T-M LADENA 拉蒂纳

## K-99180T-RGD LAUREATE 罗雅丽

### VITREOUS CHINA UNDERCOUNTER LAVATORY 釉面陶瓷台下式脸盆 CUT-OUT TEMPLATE / INSTALLATION INSTRUCTIONS 切割图/安装说明书

#### BEFORE YOU BEGIN

- Due to the nature of the installation, undercounter lavatories should be installed by trained and experienced installers.
- Do not use adhesives or adhesive sealants between marble countertop and lavatory.
- Inspect the waste and supply tubing; replace if necessary.
- Prior to installation, unpack the new lavatory and inspect it for damage. Return the lavatory to its protective carton until you are ready to install it.
- Observe all local plumbing and building codes.
- Kohler lavatory is made according to American National Standard that it can match the American lavatory fittings. Any other lavatory fittings may not fit for Kohler lavatory.
- Fixture dimensions are nominal and conform to tolerances established by ASME Standards (A112.19.2-2018).
- The product complies with GB/T 6952-2015.

#### 安装之前

- 有关安装专业性, 故台下或脸盆必须由受过训练及有经验的技师进行安装。
- 切勿在台盆与大理石之间使用胶黏剂或有黏性的密封胶。
- 检查出水及供水管道, 如有需要便更换。
- 安装之前先开启新脸盆的包装, 检查有无损坏后放回纸箱中以免损坏, 到准备安装时才取出。
- 遵守当地所有给排水及建筑规定。
- 科勒脸盆是根据美国标准制造的, 与美国式脸盆配件相配, 其它脸盆配件可能与之不相配。
- 部件尺寸为标称值, 误差符合美国ASME标准(A112.19.2-2018)。
- 本产品符合GB/T 6952-2015。

#### INSTALL THE LAVATORY

NOTE: Install so future removal from underneath the countertop is possible to avoid damage to the countertop.

- Check the desired lavatory location for clearance between the backsplash, faucet, fixture, and cabinet.
- Cut out the template.
- Carefully position and trace the template on the countertop as directed on the template.
- Mark the faucet hole centerline on the countertop.
- Drill a 13mm pilot hole on the inside of the cut line.
- Cut out the countertop opening with a saber or keyhole saw.

#### 安装脸盆

注意: 安装中要允许将来可以从盥洗台面之下进行拆装, 以免台面损坏。

- 检查准备安装脸盆的位置, 是否与防溅挡板、水龙头、脸盆及储物柜保持足够的距离。
- 剪出模板。
- 将模板小心放置于台上, 并在台面上按照模板画出其边缘轮廓导线。
- 在盥洗台上标出水龙头孔位的中心线。
- 在切线内侧钻出一个13毫米的导孔。
- 用匙孔线锯或者手提电锯切开盥洗台面。

#### FOR WOOD COUNTERTOPS

- Mark and pre-drill the wood screw holes at the locations shown on the template.
- Waterproof any exposed areas of wood.

#### 木制盥洗台面

- 按照模板所示的位置, 在台面上标出及预先钻木螺钉的孔位。
- 其它外露的木质表面需要保持防水。

#### FOR MARBLE COUNTERTOPS

- Clean the countertop and block. Keep them dry.

#### 大理石盥洗台

- 清洁台面和定位块, 并保持干燥。

#### TOOLS AND MATERIALS

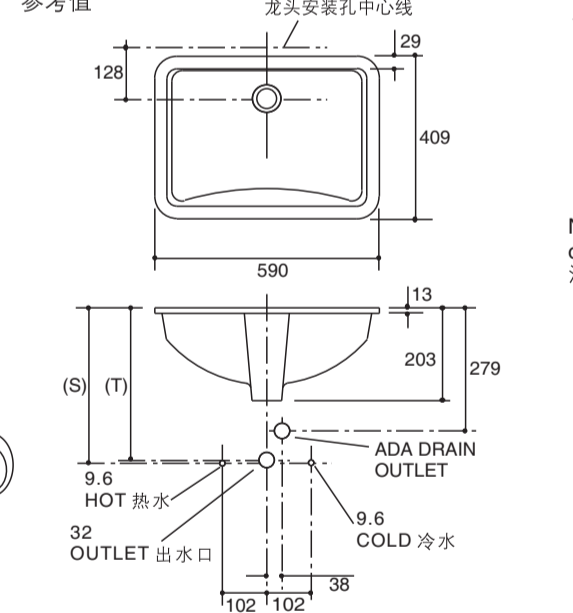
- Sealant
- Pencil
- Tape measure
- Sharp knife or scissors
- Keyhole or saber saw
- Drill (13mm dia. drill bit or larger)
- Safety glasses
- Hammer
- Rags or paper toweling
- Strong AB sealant

#### 所需的工具和物料

- 密封胶
  - 软性铅笔
  - 卷尺
  - 尖刀或剪刀
  - 匙孔线锯或手提电锯
  - 钻头(直径13毫米或者更大的钻头)
  - 护眼镜
  - 锤子
  - 抹布或者纸质毛巾
  - 高强度AB胶
- 注意: 若盥洗台的物料并非木质或木质合成品, 则您可能需要在安装脸盆时使用其他更专业的工具。

#### ROUGHING-IN

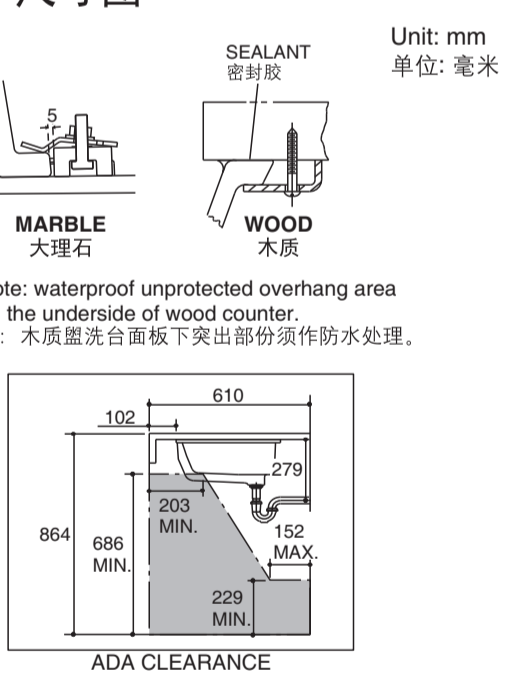
Reference Value  
参考值



**Roughing-In Notes**

Fixture dimensions are nominal and conform to tolerances in ASME Standard A112.19.2-2018.  
\*Based on K-8998 with 25mm of tailpiece exposed.  
(T) Pop-up drain typically 349mm  
(S) 356mm (Based on 305mm riser which may require cutting.)  
Supplied basin clamp assemblies require 25mm minimum countertop thickness. Installer must supply anchors for thinner countertops.

#### 尺寸图



**尺寸资料:**  
产品尺寸均为标准值, 误差符合美国机械工程师协会(ASME)A112.19.2-2018标准。  
\*以K-8998为基准, 尾端露出25毫米。  
(T)使用提拉杆去水头349毫米。  
(S)356毫米, 此尺寸根据305毫米冒口计算, 须按实际情况调整。  
已提供的脸盆夹具组件需要最少25毫米的盥洗台厚度, 安装人员必须为较薄的盥洗台提供安装螺丝。

Kohler reserves the right to change marked dimensions without prior notice.  
科勒公司保留随时变更图中标示尺寸的权利, 无需另行通知。

#### FOR WOOD COUNTERTOPS

- Take same amount of strong A and B sealant and mix them up.

#### 大理石盥洗台

- 取高强度A、B胶若干, 按1:1搅匀。

- Insert the screw into the hole on middle of the block and then apply the mixed sealant onto the block.

- 将螺丝放入定位块中间的孔内, 并将搅匀的胶水涂抹在定位块上。

- Glue the block to the countertop as shown.

- 将定位块按位置与台面粘合。

- Fix the block and keep at least 5mm from the edge of the lavatory.

- 固定定位块, 并与盆边保持5mm以上的距离。

- Place the lavatory after 2 hours. Tighten the screw and apply silicone sealant around the edge of the lavatory.

- 2小时后将盆放好, 拧紧螺母, 沿盆边打好密封胶。

- Keep away from heavy objects within 24 hours.

- 24小时内勿承重物。

#### CUT ALONG THIS LINE 沿此线切割

WHEN PLOTTING TEMPLATE FULL SIZE:  
Make sure horizontal and vertical dimensions match the dimensions labeled on the template.  
按实际大小标绘切割图时: 确保横向及纵向尺寸与切割图上所标尺寸相符。

NOTE: Using this template, the overhang is about 6mm. Customers can zoom the template by scale to meet their requirement.

注意: 采用此切割模板切割的台面内沿到面盆内边缘的距离为6mm左右, 客户可根据需要按比例缩放用以切割台面。

334 mm

512 mm

RIM OF LAVATORY  
脸盆边缘

#### IMPORTANT CONSUMER INFORMATION (CARE AND CLEANING)

- To keep your lavatory looking new, make sure you rinse it out thoroughly after each use. **DO NOT USE ABRASIVES** on this product, as they will scratch and ruin the surface. Stubborn stains, paint, or tar can be removed with turpentine or paint thinner.
- Do not use the product in the water below 0°C.
- Please do not use hard materials (like scouring pad) to clean product surface, especially the product logo.

#### 用户须知 (护理和清洁)

- 为保持脸盆光洁如新, 须确保每次使用后彻底冲洗干净, 切勿使用腐蚀性的清洁剂, 以免划伤及破坏脸盆的表面。要清除顽固污垢、油漆或柏油, 可使用松油或油漆稀释剂。
- 不要在0°C以下的水环境中使用。
- 请勿使用钢丝球等硬质材料擦洗产品表面, 特别是产品商标处。

#### FOR ARTIST EDITION PRODUCTS

Treat your decorative product just as you would treat your fine china. The best way to clean it is to use warm water and pat dry with a cotton cloth or soft sponge. **DO NOT** use bristle brushes or abrasive-backed sponges. They will scratch the decorative surface.

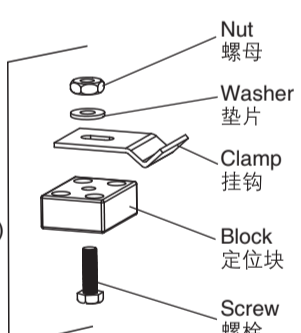
#### 艺术陶瓷品使用及保养须知

请您像珍惜您的珍贵瓷器一样对待您的艺术系列产品。最佳清洗方式是使用温水擦洗, 然后用棉布或软海绵轻轻拍干。请勿使用粗硬的刷子或带刮擦面的海绵, 以免划伤装饰表面。

#### SERVICE PARTS

#### 维修零件

1321585  
Clamp Accessory Pack  
夹具组件  
(For Marble Countertop Only)  
(仅适用于大理石台面)



Note: Please purchase clamp accessory pack 52047 for wooden countertop.  
注意: 如为木质台面, 请另行购买夹具组件52047。

BLOCK  
定位块

CLIP LOCATIONS  
夹子位置

#### IMPORTANT:

For wooden countertop, basin clamp assembly 52047 purchased can only be used on countertops with a minimum thickness of 1". Installer must supply anchors for thinner countertops.

#### 重要:

对于木质台面, 另购的52047夹子组件仅可用于厚度最少为25mm的台面。如果台面较薄, 请另外使用膨胀螺栓固定。

No.2 KOHLER ROAD, SANSHUI CENTRAL INDUSTRIAL PARK, LEPING TOWN, SANSHUI DIST., FOSHAN, GUANGDONG, PRC POST CODE: 528137  
广东省佛山市三水区乐平镇三水中心工业园区科勒大道2号 邮编: 528137

8# MENGSHAN RD, ECONOMIC DEVELOPMENT ZONE OF HUANTAI, ZIBO, SHANDONG, CHINA POST CODE: 256410  
山东省淄博市桓台经济开发区蒙山路8号 邮编: 256410

NO.1 KOHLER STREET, ECONOMIC DEVELOPMENT ZONE OF FAKU COUNTY, SHENYANG LIAONING PROVINCE, PRC POST CODE: 110400  
辽宁省沈阳市法库经济开发区科勒大街1号 邮编: 110400

1109626-T01-F

© Copyright Kohler China Investment Co., Ltd. 2019  
© 版权为科勒(中国)投资有限公司所有 2019