

Note: before cutting countertop
Allow for handle clearance
注意: 在切割台面之前, 请留出
安装龙头的空间。

FINISHED WALL / BACK SPLASH
完工墙面/防溅挡板

CENTERLINE OF FITTING
安装中线

INSTALL THE LAVATORY

- Check the desired lavatory location for clearance between the backsplash, faucet, fixture, and cabinet.
- Cut out the template.
- Carefully position and trace the template on the countertop as directed on the template.
- Mark the faucet hole centerline on the countertop.
- Drill a 1/2" pilot hole on the inside of the cut line.
- Cut out the countertop opening with a saber or keyhole saw.

FOR WOOD COUNTERTOPS

- Mark and pre-drill the wood screw holes at the locations shown on the template.
- Waterproof any exposed areas of wood.

FOR MARBLE COUNTERTOPS

- Clean the countertop and block. Keep them dry.

安装脸盆

- 检查准备装上脸盆的位置, 是否与后挡板、水龙头、脸盆及柜子保持足够的距离。
- 剪出模板。
- 将模板小心放置于台上, 并在台面上按照模板画出其边缘轮廓导线。
- 在盥洗台上标出水龙头孔位的中心线。
- 在切线内则钻一个1/2英寸的导孔。
- 用手提电锯或匙孔线锯切开洗台。

木制盥洗台

- 按照模板所示的位置, 在台面标出及预先钻妥木螺钉的孔位。
- 其他外露的木表面需保持防水。

大理石盥洗台

- 清洁台面和定位块, 并保持干燥。

- Take same amount of strong A and B sealant and mix them up.

- Insert the screw into the hole on middle of the block and then apply the mixed sealant onto the block.

- Glue the block to the countertop as shown.

- Fix the block and keep at least 5mm from the edge of the lavatory.

- Place the lavatory after 2 hours. Tighten the screw and apply silicone sealant around the edge of the lavatory.

- Keep away from heavy objects within 24 hours.

- 取高强度A、B胶若干, 按1:1搅匀。

- 将螺丝放入定位块中间的孔内, 并将搅匀的胶水涂抹在定位块上。

- 将定位块按位置与台面粘合。

- 固定定位块, 并与盆边保持5mm以上的距离。

- 2小时后将盆放好, 拧紧螺母, 沿盆边打好硅胶。

- 24小时内勿承重物。

FOR ALL INSTALLATIONS

- If the countertop has not been installed, install it at this time.
- Drill the faucet holes according to the faucet installation instructions.
- Install the faucet to the countertop according to the manufacturer's instructions.
- Install the drain to the lavatory according to the manufacturer's instructions.

NOTE: Please do not use sealant with contractility after drying, such as marble adhesive.

- Apply a continuous bead of quality sealant to the lavatory rim where it will contact the countertop, such as glass cement.

NOTE:

- For wooden countertop, use the clamp assembly supplied.
- For countertop made of wood or wood compound (over 25mm thick), purchase clamp assembly 52047.
- For countertop of other materials, use proper clamp assembly by referring to the suggestions on the installation instructions of the countertop manufacturer.

- Position the lavatory squarely under the cutout before tightening the clamps. Draw the lavatory rim up to the countertop until it is snug. **Do not overtighten.**
- Immediately wipe away any excess sealant.
- Make the final drain and faucet connection to complete the lavatory installation. Be sure to follow all instructions packed with the drain and faucet.
- Clean up with a **non-abrasive** cleaner.

所有台面的安装

- 如还未安装盥洗台, 请在此时装上。
- 按照龙头安装说明引钻龙头孔。
- 按照制造商的说明书, 在盥洗台上装水龙头。

- 按照制造商的说明书, 在脸盆下装排水管。

注意: 请勿在本品上使用干燥后有收缩性的胶黏剂, 如云石胶等。

- 在与盥洗台接触的盥洗台边缘, 如珠串胶滴上优质密封胶, 如玻璃胶等。

注意:

- 大理石材质的盥洗台, 使用随附的夹子组件。
- 木、木质合成物的盥洗台(厚度25毫米以上), 可另行购买夹子组件52047。
- 其它材料制造的盥洗台, 则请参考盥洗台制造商说明书上的建议, 使用适当的扣件。

- 在上紧夹具前, 先将脸盆平整地放在盥洗台切口下, 然后小心将脸盆拉起直至合度才可上夹具, 切勿上得太紧。

- 立即擦去多余的密封胶。
- 最后将所有水管及水龙头与脸盆连接妥当, 确保安装乃符合水管及水龙头的一切有关的安装说明书。

- 使用非腐蚀性的清洁剂进行清洁。

IMPORTANT CONSUMER INFORMATION (CARE AND CLEANING)

- To keep your lavatory looking new, make sure you rinse it out thoroughly after each use. **DO NOT USE ABRASIVES** on this product, as they will scratch and ruin the surface. Stubborn stains, paint, or tar can be removed with turpentine or paint thinner.
- Do not use the product in the water below 0°C.
- Please do not use hard materials (like scouring pad) to clean product surface, especially the product logo.

用户须知 (护理和清洁)

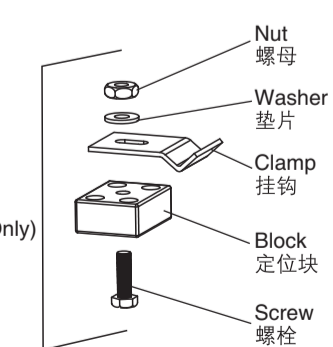
- 为保持脸盆光洁如新, 须确保每次使用后彻底冲洗干净, 切勿使用腐蚀性的清洁剂, 以免刮花及破坏脸盆的表面。要清除顽固污垢、油漆或柏油, 可使用松油或油漆稀释剂。

- 不要在0°C以下的水环境中使用。
- 请勿使用钢丝球等硬质材料擦洗产品表面, 特别是产品商标处。

SERVICE PARTS

维修零件

1321585
Clamp Accessory Pack
夹子组件
(For Marble Countertop Only)
(仅适用于大理石台面)



Note: Please purchase clamp accessory pack 52047 for wooden countertop.
注意: 如为木质台面, 请另行购买夹子组件52047。

K-97012T CHALICE 乔司

UNDERCOUNTER LAVATORY 台下盆 CUT-OUT TEMPLATE / INSTALLATION INSTRUCTIONS 切割图/安装说明书

BEFORE YOU BEGIN

- Due to the nature of the installation, undercounter lavatories should be installed by trained and experienced installers.
- Do not use adhesives or adhesive sealants between marble countertop and lavatory.
- Inspect the waste and supply tubing, replace if necessary.
- Prior to installation, unpack the new lavatory and inspect it for damage. Return the lavatory to its protective carton until you are ready to install it.
- Observe all local plumbing and building codes.
- Kohler lavatory is made according to American National Standard that it can match the American lavatory fittings. Any other lavatory fittings may not fit for Kohler lavatory.
- Fixture dimensions are nominal and conform to tolerances established by ASME Standards (A112.19.2-2013).
- The product complies with GB/T 6952-2015.

安装之前

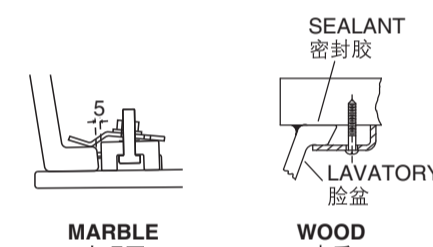
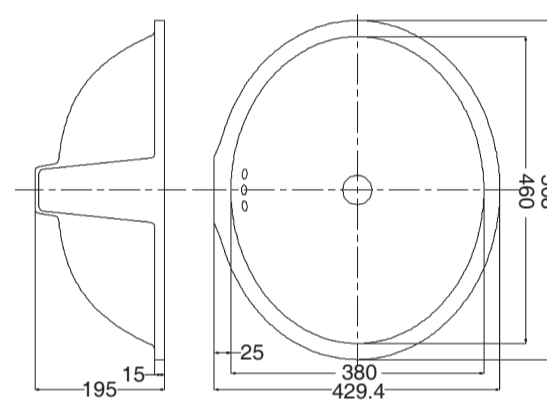
- 有关安装专业性性质, 故盥洗台下脸盆必须由受过训练及有经验的技师进行安装。
- 切勿在脸盆与大理石之间使用胶黏剂或有粘性的密封胶。
- 检查出水及供水管道, 如有需要便更换。
- 安装之前先开启新脸盆的包装, 检查有无损坏后放回纸箱中以免损坏, 到准备安装时才取出。
- 遵守当地所有给排水及建筑规定。
- 科勒洗脸盆是根据美国标准制造的, 与美国式洗脸盆配件相配, 其它洗脸盆配件可能与之不相配。
- 部件尺寸为标称值, 误差符合美国ASME标准(A112.19.2-2013)。
- 本产品符合GB/T 6952-2015。

ROUGHING-IN

尺寸图

Reference Value
参考值

Unit: mm
单位: 毫米



Note: waterproof unprotected overhang area on the underside of wood counter.
注: 木质盥洗台台面下突出部份须作防水处理。

	Length 长	Width 宽	Height 高	Depth 盆深
Outer 外尺寸	508	429.4	195	
Inner 内尺寸	460	380		148

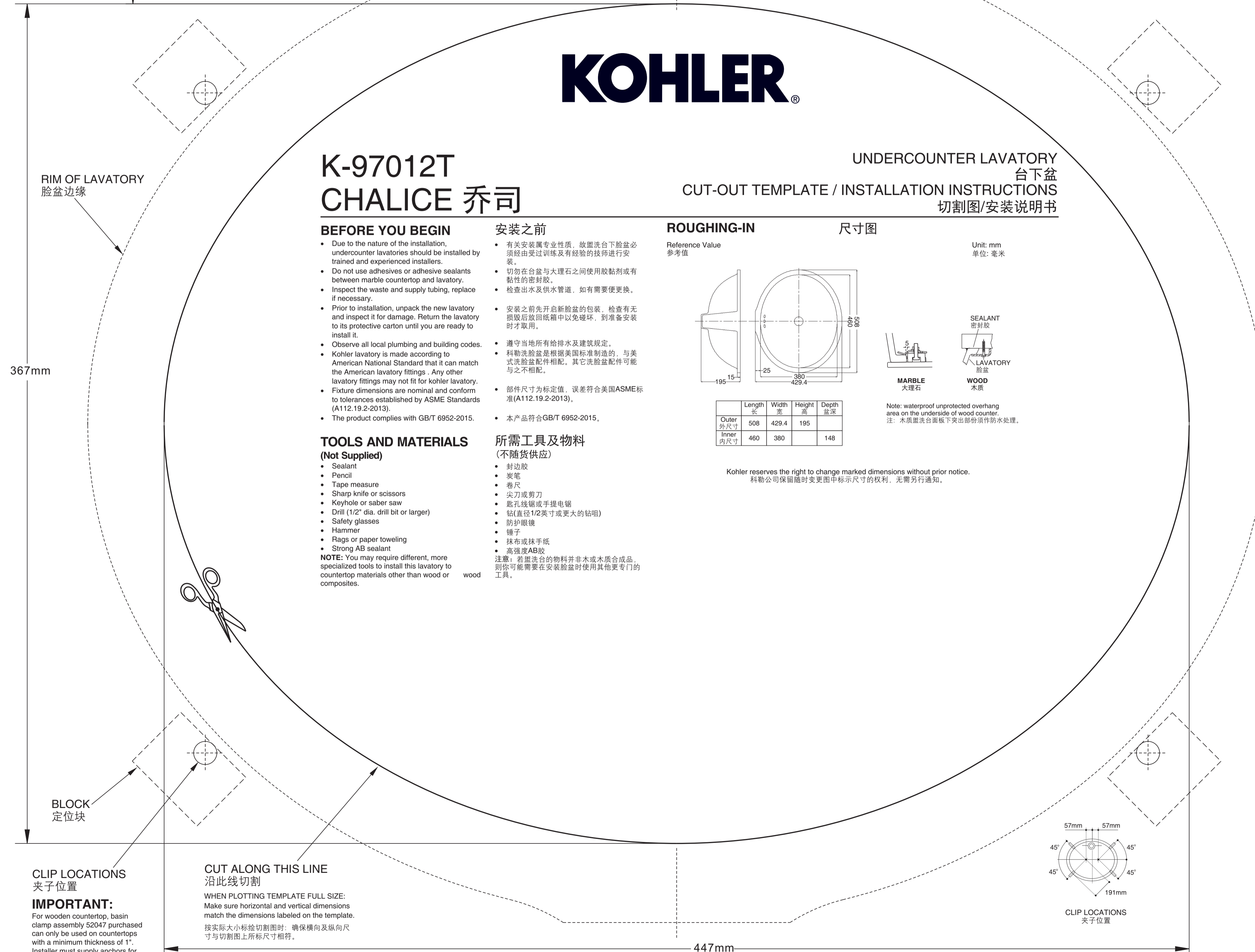
Kohler reserves the right to change marked dimensions without prior notice.
科勒公司保留随时变更图中标示尺寸的权利, 无需另行通知。

TOOLS AND MATERIALS (Not Supplied)

- Sealant
 - Pencil
 - Tape measure
 - Sharp knife or scissors
 - Keyhole or saber saw
 - Drill (1/2" dia. drill bit or larger)
 - Safety glasses
 - Hammer
 - Rags or paper toweling
 - Strong AB sealant
- NOTE:** You may require different, more specialized tools to install this lavatory to countertop materials other than wood or composites.

所需工具及物料 (不随货供应)

- 密封胶
 - 炭笔
 - 卷尺
 - 尖刀或剪刀
 - 匙孔线锯或手提电锯
 - 钻头(直径1/2英寸或更大的钻头)
 - 防护眼镜
 - 锤子
 - 抹布或抹手纸
 - 高强度AB胶
- 注意:** 若盥洗台的物料并非木或木质合成品, 则您可能需要在安装脸盆时使用其他专门的工具。



No.2 KOHLER ROAD, SANSHUI CENTRAL INDUSTRIAL PARK, LEPING TOWN, SANSHUI DIST., FOSHAN, GUANGDONG, PRC POST CODE 528137
广东省佛山市三水区乐平镇三水中心工业园区科勒大道2号 邮编: 528137

8# MENGSHAN RD, ECONOMIC DEVELOPMENT ZONE OF HUANTAI, ZIBO, SHANDONG, CHINA POST CODE: 256410
山东省淄博市桓台经济开发区蒙山路8号 邮编: 256410

1236154-T01-B

© Copyright Kohler China Investment Co., Ltd. 2017
© 版权为科勒(中国)投资有限公司所有 2017

CLIP LOCATIONS 夹子位置

IMPORTANT:
For wooden countertop, basin clamp assembly 52047 purchased can only be used on countertops with a minimum thickness of 1". Installer must supply anchors for thinner countertops.

重要:
对于木质台面, 另购的52047夹子组件仅可用于厚度最少为25mm的台面, 如果台面较薄, 请另外使用膨胀螺栓固定。

CUT ALONG THIS LINE 沿此线切割

WHEN PLOTTING TEMPLATE FULL SIZE:
Make sure horizontal and vertical dimensions match the dimensions labeled on the template.
按实际大小标绘切割图时, 确保横向及纵向尺寸与切割图上所标尺寸相符。