

BEFORE YOU BEGIN

- Observe all local plumbing and building codes.
- Prior to installation, unpack the new lavatory and inspect it for damage. Return the lavatory to its protective carton until you are ready to install it.
- All information in these instructions are based the latest product information available at the time of publication. Kohler China reserves the right to make changes in product characteristics, packaging, or availability at any time without notice.
- Fixture dimensions are nominal and conform to tolerances established by ASME Standards (A112.19.2-2013).
- The product complies with GB 6952-2015.
- Please purchase 880089-CP as accessory to match with draw bar faucet of Kohler brand.

IMPORTANT: Make sure that the wall and floor are square and plumb to ensure proper installation.

安装之前

- 遵守当地所有给排水及建筑规定。
- 安装之前先开启新脸盆的包装，检查有无破损后放回纸箱中以免碰坏，到准备安装时才取用。
- 本说明书所含一切资料，均以印刷时所有的最新产品为准。科勒公司保留随时更改产品特性，包装或供应情况的权利，恕不另行通知。
- 部件尺寸为标定值，误差符合美国ASME标准(A112.19.2-2013)。
- 本产品符合GB 6952-2015。
- 如匹配科勒提拉杆款龙头，请另购买配件880089-CP，来配合安装。

注意：墙壁和地板必须方正、平整和水平。

ORDERING INFORMATION

Poplin Vanity Top 940mmK-96016T-1/-4/-8
Poplin Vanity Top 1245mmK-96017T-1/-4/-8

订购信息

珀霖一体化台盆940mmK-96016T-1/-4/-8
珀霖一体化台盆1245mmK-96017T-1/-4/-8

REQUIRED MATERIALS/TOOLS (NOT SUPPLIED)

- Level
- Drill with 6mm bit
- 14mm wrench
- Framing square
- Channel lock pliers
- Tape measure
- Pencil

所需工具和材料 (不随货供应)

- 水平尺
- 带6mm钻头的电锤钻
- 14mm板钳
- 定位直尺
- 锁钳
- 卷尺
- 铅笔

No.2 KOHLER ROAD, SANSHUI CENTRAL INDUSTRIAL PARK, LEPING TOWN, SANSHUI DIST., FOSHAN, GUANGDONG, PRC POST CODE 528137
广东省佛山市三水区乐平镇三水中心工业园区科勒大道2号 邮编：528137

8# MENGSHAN RD, ECONOMIC DEVELOPMENT ZONE OF HUANTAI, ZIBO, SHANDONG, CHINA POST CODE: 256410
山东省淄博市桓台经济开发区蒙山路8号 邮编：256410

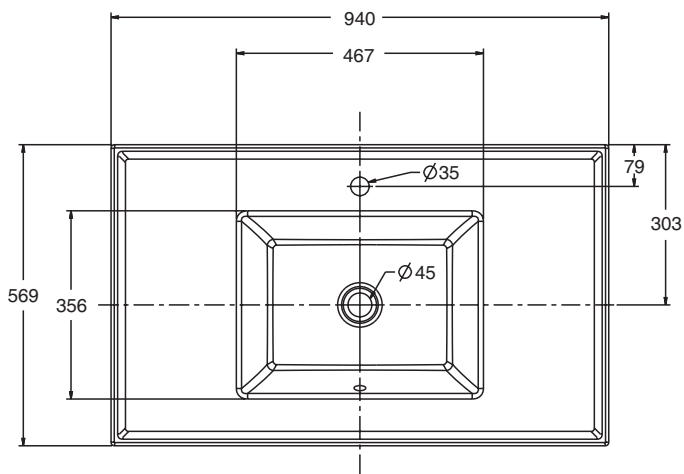
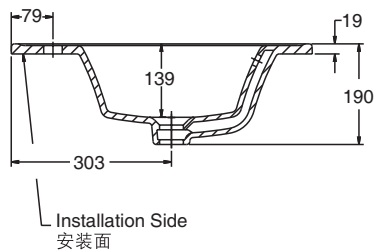
ROUGHING-IN DIMENSIONS

尺寸图

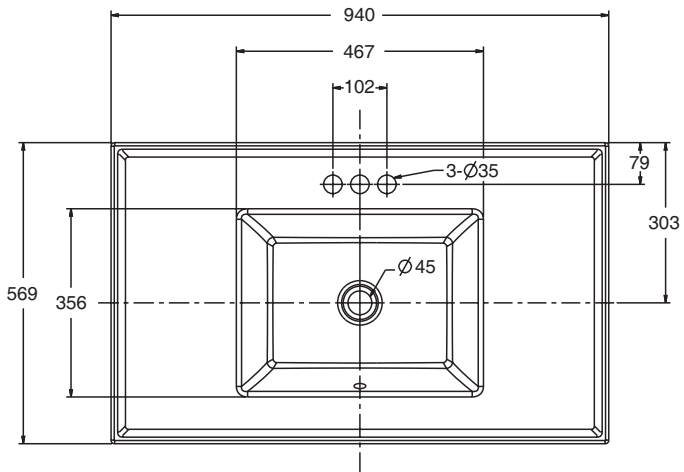
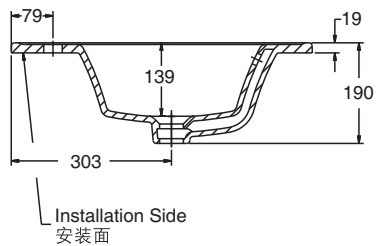
Reference Value
参考值

UNIT: mm
单位: 毫米

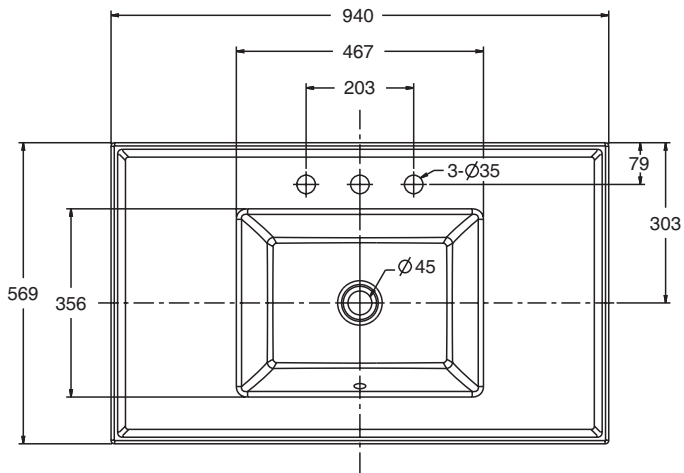
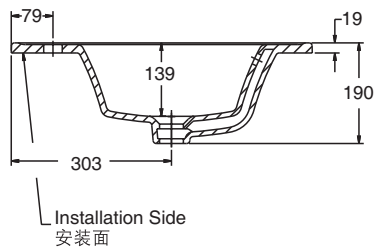
K-96016T-1



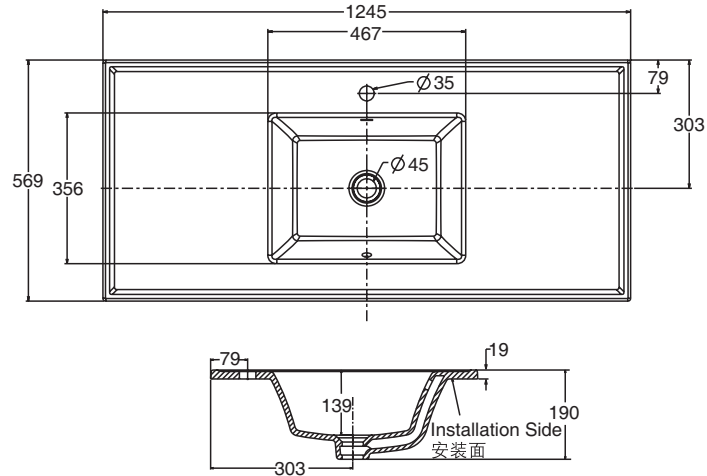
K-96016T-4



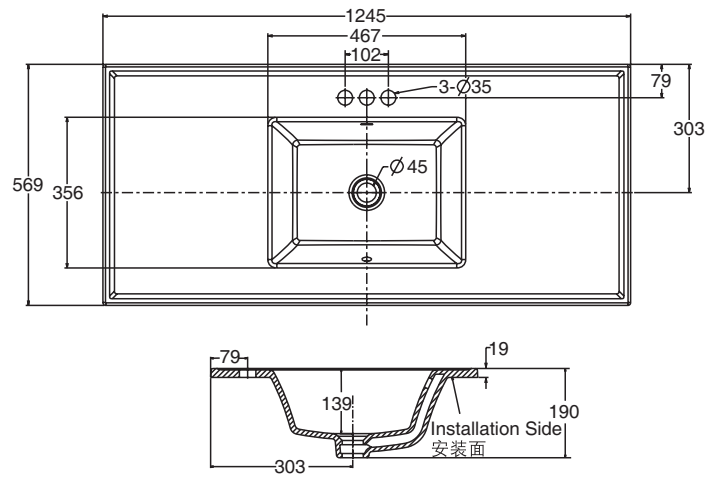
K-96016T-8



K-96017T-1



K-96017T-4



K-96017T-8

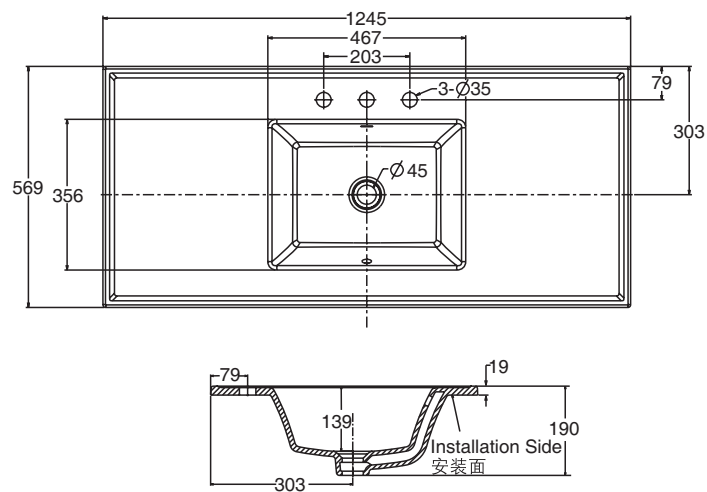


Fig.#1
图1

Kohler reserves the right to change marked dimensions without prior notice.
科勒公司保留随时变更图中标示尺寸的权利，无需另行通知。

INSTALLATION

安装

Install the Basin

安装脸盆

Note! The lavatory tops must be installed on a cabinet or matching metal stand (refer to Installation and User Guide packed with the cabinet or stand for installation details).

注意！此脸盆必须装在橱柜或匹配的金属支架上。（参考附在橱柜或支架包装内的安装说明获取安装信息。）

- Recommend Kohler metal square leg or Kohler bathroom furniture for support or decoration.
- Rough-in the supplies and the drain piping.

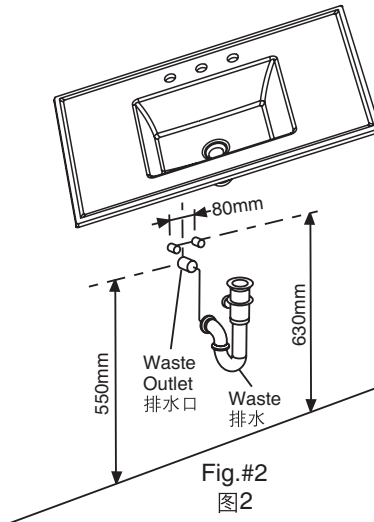
- 推荐使用科勒金属支脚或科勒浴室家具作为支撑和装饰。
- 画出供水及排水管道及阀门的轮廓线。

NOTE: The supply stop handles cannot extend more than 76mm from the finish wall when in the open position.

注意：供水开关手柄在打开位置时，距离完工墙面不得超过76mm。

- NOTE:** 1. Height dimensions marked in fig. 2 and fig. 3 could be adjusted per your the vanity height or the actual height of the console leg.
2. Other fastening devices of sufficient size and strength may also be used.

- 注意：1. 图2和图3高度方向尺寸可根据橱柜或匹配金属支架的实际高度适当调整。
2. 也可使用其它具有足够尺寸及强度的紧固装置。



- Install the faucet and drain to the lavatory according to the manufacture's instructions.
- Apply some sealant continuously and evenly around the top of the vanity. Carefully place the lavatory on the cabinet, and then gently press down until level. Wipe away excess sealant.

- 按照制造商之要求，将水龙头及下水管道安装在洗面盆上。
- 在橱柜顶部四周连续均匀地涂上密封胶，并小心地把脸盆放到橱柜上调平，最后擦掉多余的密封胶。

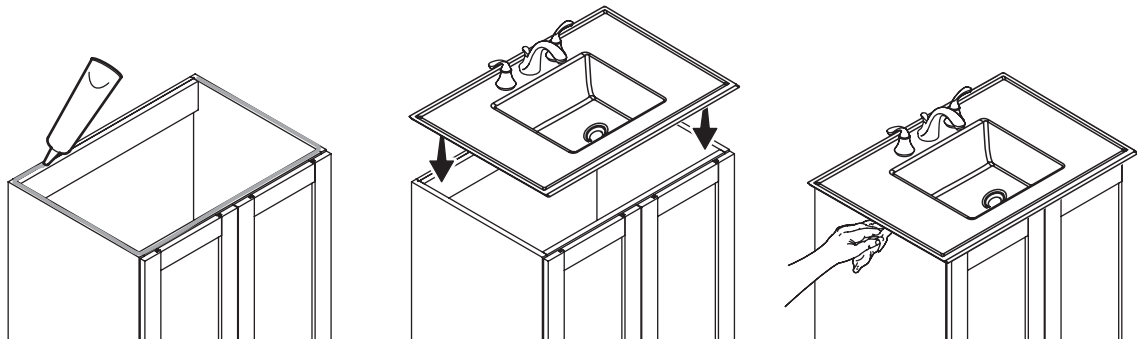


Fig.#3
图3

CAUTION: Risk of product damage. Do not overtighten the cap nuts. Overtightening may cause damage to the product.


小心！ 不要把螺帽过分拧紧，否则可能损坏产品。


- Clean the lavatory top.

- 清洁脸盆台面。

Install the Plumbing

1. Install the drain in accordance with the manufacturer's instructions.

 **Caution!** Make sure a watertight seal exists on all basin drain connections.

 **Caution!** Provide access to the plumbing connections for future plumbing maintenance.


2. Connect the hot and cold water supplies.


3. Open the hot and cold water valves, and check the supply connections for leaks.

4. Run water into the basin, and check the drain connections for leaks.

安装管道

1. 根据生产商安装说明安装落水。

 **警告!** 确保在脸盆所有的排水连接处有防水密封。

 **警告!** 提供管道连接检修门以便日后管道维护。

2. 连接冷热供水。

3. 打开冷热水阀，检查供水连接是否漏水。

4. 向脸盆中注水，检查排水连接是否漏水。

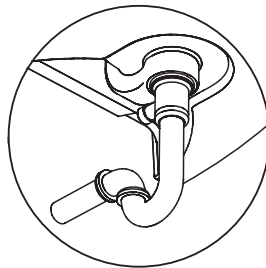


Fig.#4
图4

IMPORTANT CONSUMER INFORMATION 用户须知

CARE AND CLEANING


 **Caution! Risk of product damage.**

Many cleaners contain abrasive and chemical substances, and should not be used for cleaning stainless steel, enamel, plated or plastic fittings.

These finishes should be cleaned using a mild washing up detergent or soap solution, rinsed and then wiped dry with a soft clean cloth.

To keep your lavatory looking new, make sure you rinse it out thoroughly after each use. **DO NOT USE ABRASIVES** on this product, as they will scratch and ruin the surface. Stubborn stains, paint, or tar can be removed with turpentine or paint thinner.

护理及清洁

 **警告!** 有产品损坏的危险。

许多清洁剂包含磨损性的化学物质，不应该用来清洗不锈钢、釉质、镀金或塑料部件。

这些部件应用温和的清洁剂或者肥皂水来清洗、漂净，然后用柔软干净的布擦干。

为保持脸盆常新，请确保每次使用后立即彻底冲洗，但切勿用腐蚀性清洁剂，以防止刮花或磨损盆面。如有顽渍、油漆或柏油点，可用松油或油漆稀释剂清洗。