

33330T	线性地漏网格纹面板 - 64×914mm
33339T	线性地漏网格纹面板 - 64×1219mm
33340T	线性地漏网格纹面板 - 64×1524mm
33341T	线性地漏网格纹面板 - 32×914mm
33343T	线性地漏网格纹面板 - 32×1219mm
33344T	线性地漏网格纹面板 - 32×1524mm

安装之前

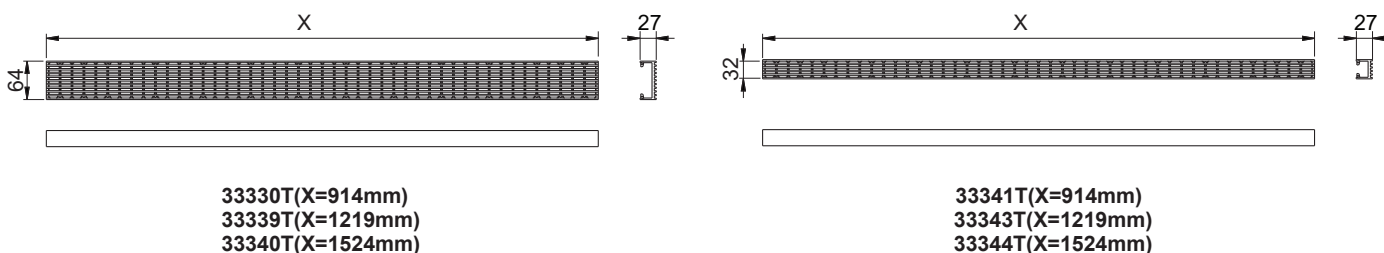
所有的资料是按最新出版的产品资料编写而成。科勒公司保留任何时候不经通知即可改变产品特性、包装或产品可供类型的权利。

说明书包括重要的安装、保养及清洁方面的内容，请把这些资料交给用户阅读。

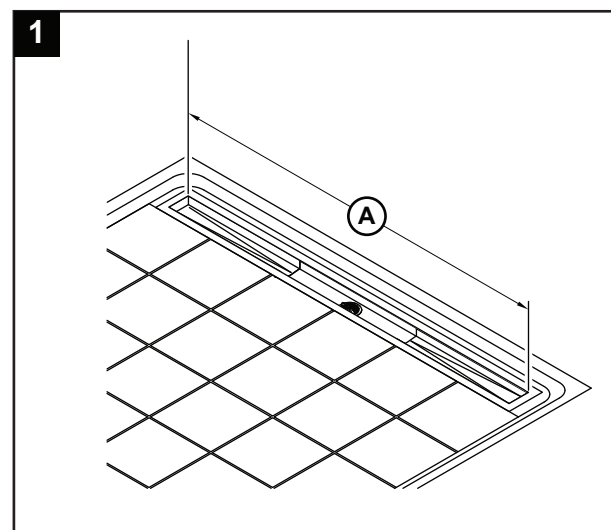
注意事项：

1. 遵守当地管路安装条例。
2. 线性地漏网格纹面板可与线性地漏基座(单独出售)配合使用。

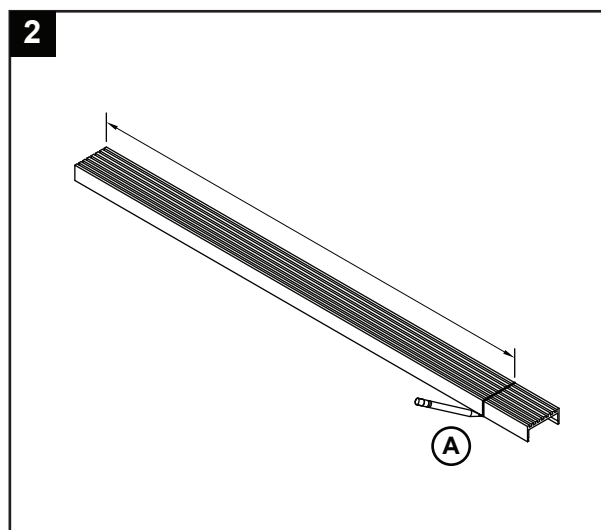
安装尺寸



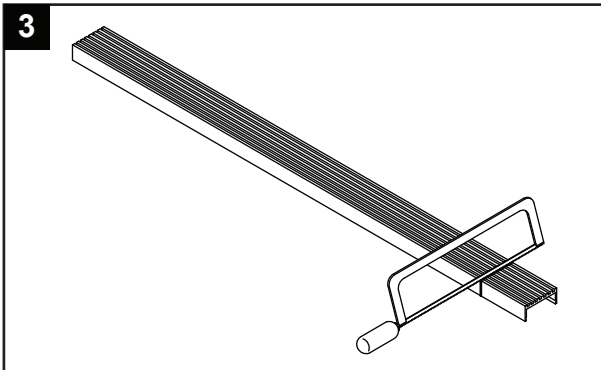
安装步骤



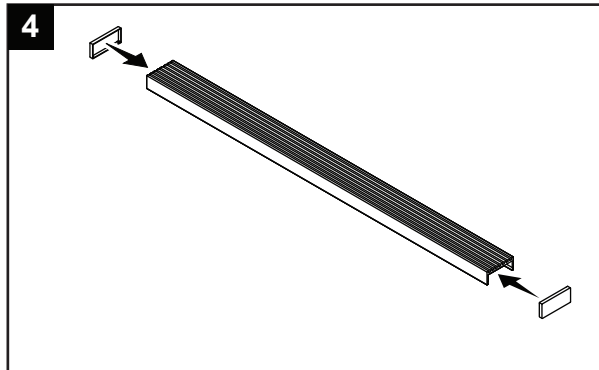
1. 测量长形地漏内槽尺寸，同时减去该尺寸3mm。并记录。



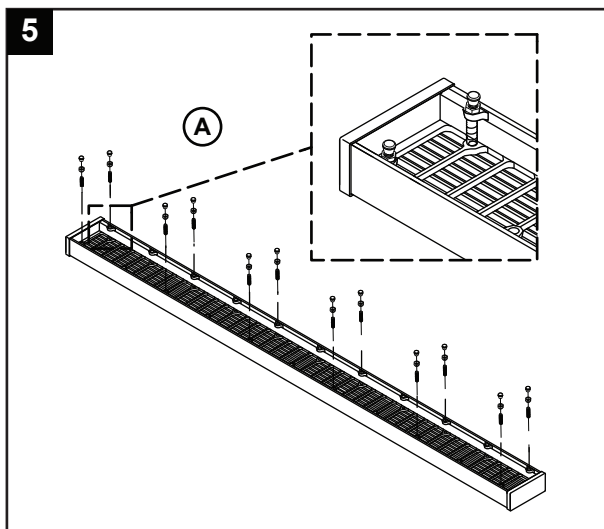
2. 将记录的尺寸标记到网格纹面板上。



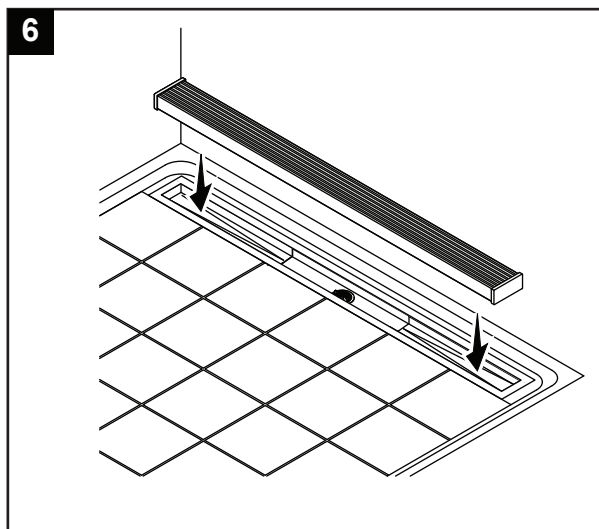
3. 用刷条切除多余的部分。



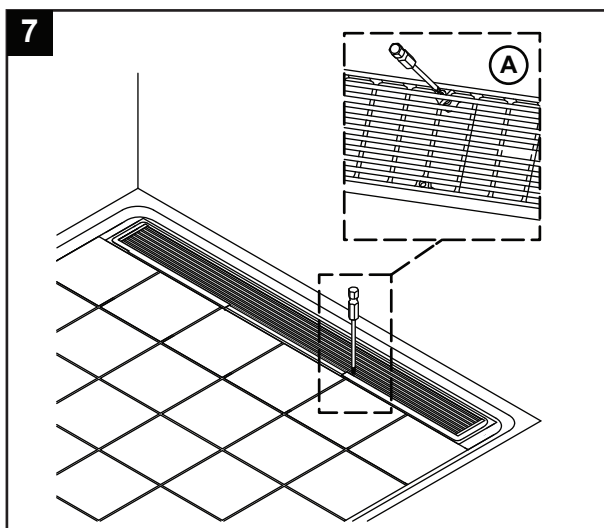
4. 安装两端的装饰盖。



5. 安装高度调节螺丝。



6. 将网格纹面板放入长形地漏内槽中。



7. 根据需要用随附的螺丝刀和扳手调节网格纹面板使其与磁砖齐平。

清洗说明

适用于所有加工处理过的表面：以中性肥皂水清洗镀层表面，再以干净的软布彻底擦干整个表面，许多清洁剂，比如氨水、去污粉及洁厕灵等，会对电镀表面造成伤害，切忌使用。

有磨损性的清洁用具或清洁剂也不可用于科勒牌的水龙头及其配件上。

INSTALLATION INSTRUCTIONS

33330T	Lattice Grate - 64×914mm
33339T	Lattice Grate - 64×1219mm
33340T	Lattice Grate - 64×1524mm
33341T	Lattice Grate - 32×914mm
33343T	Lattice Grate - 32×1219mm
33344T	Lattice Grate - 32×1524mm

BEFORE YOU BEGIN

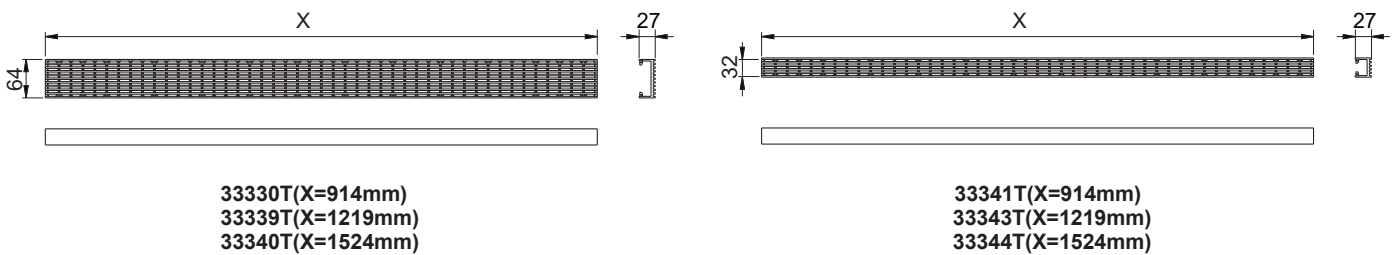
All information is based on the latest product information available at the time of publication. Kohler Co. reserves the right to make changes in product characteristics, packaging, or availability at any time without notice.

Please leave these instructions for the consumer. They contain important information.

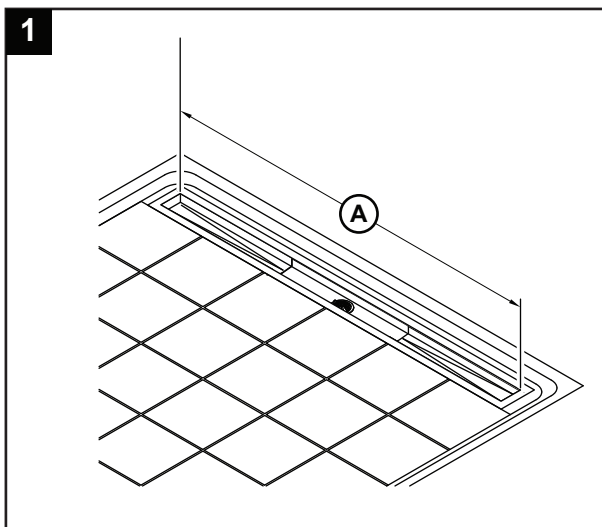
NOTE:

1. Follow all local plumbing and building codes.
2. Drain grates (sold separately) are available to coordinate with the linear drain.

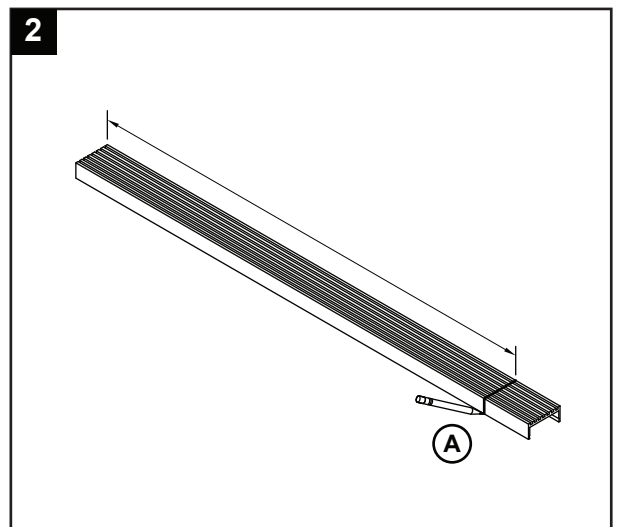
ROUGH-IN DIMENSIONS



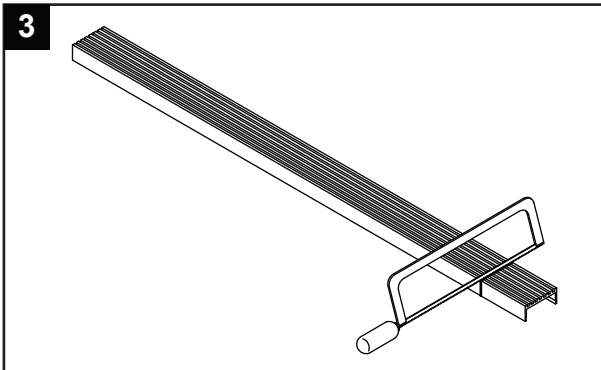
INSTALLATION



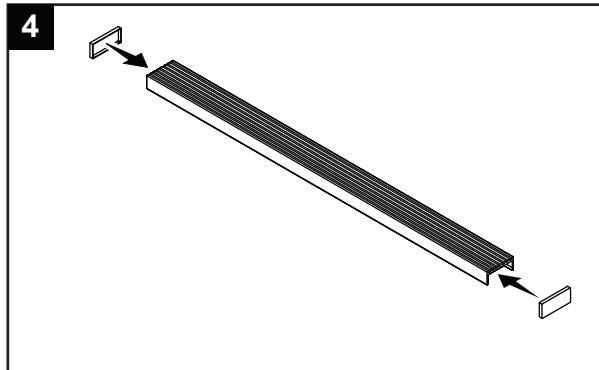
1. Measure the inside of the drain. Subtract 3mm, and record it.



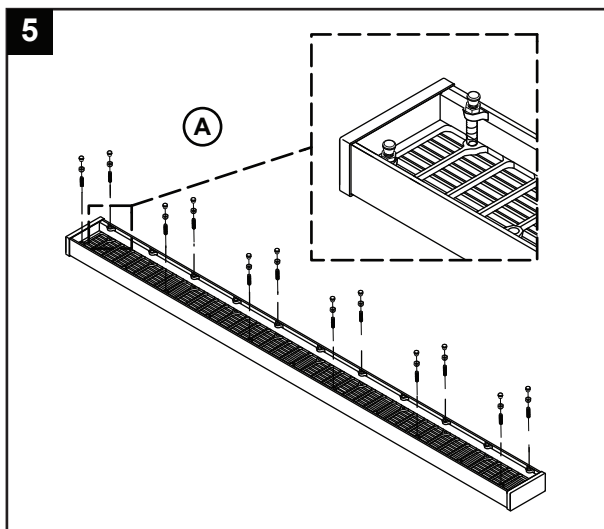
2. Mark the calculated measurement onto the grate.



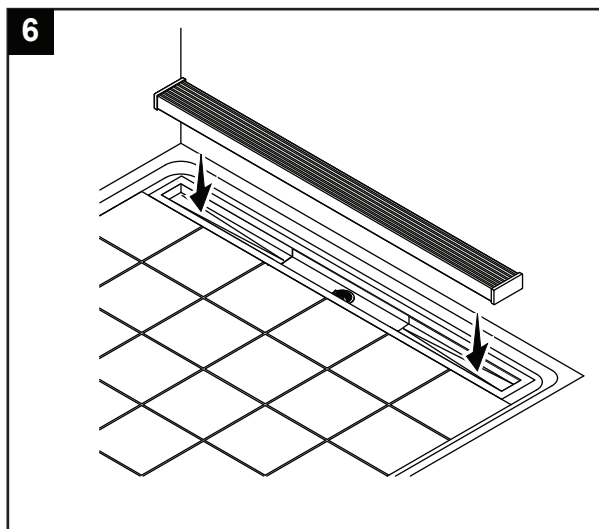
3. Cut off the excess parts with strip.



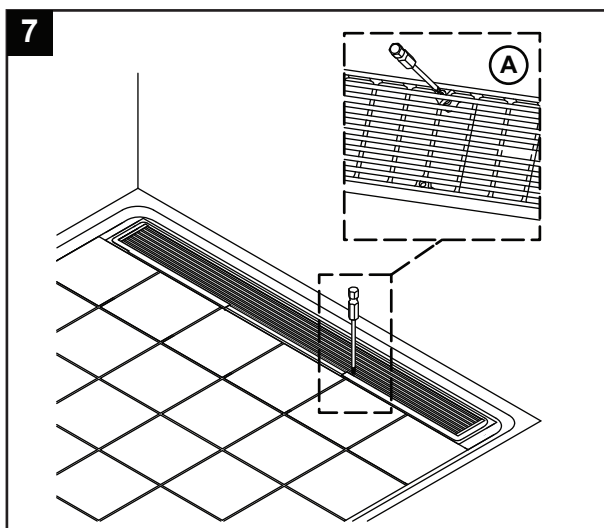
4. Install the caps on both sides.



5. Install the height adjustable screw.



6. Place the grate into the groove of the drain.



7. If needed, level the grate with the finished floor with the provided screwdriver and spanner.

CLEANING INSTRUCTIONS

All Finishes: Clean the finish with mild soap and warm water. Wipe entire surface completely dry with clean soft cloth. Many cleaners may contain chemicals, such as ammonia, chlorine, toilet cleaner etc. which could adversely affect the finish and are not recommended for cleaning.

Do not use abrasive cleaners or solvents on Kohler faucets and fittings.