

KOHLER®

K-30719T/K-P30719T/ K-30719K LADENA 拉蒂纳

SGL BASIN SR/UC/TI SINK
单槽台上台中台下多用厨盆
CUT-OUT TEMPLATE / INSTALLATION INSTRUCTIONS
切割图/安装说明书

BEFORE YOU BEGIN

- Read the installation instructions before using the product.
- Observe all local plumbing and building codes.
- Shut off the hot and cold water supplies.
- Prior to installation, unpack the new sink and inspect it for damage. Return the sink to its protective carton until you are ready to install it.
- Inspect the drain and supply tubing. Replace if necessary.
- All information in these instructions is based on the latest product information available at the time of publication. Kohler reserves the right to make changes at any time without notice.
- This product complies with Q/KLCW 5.

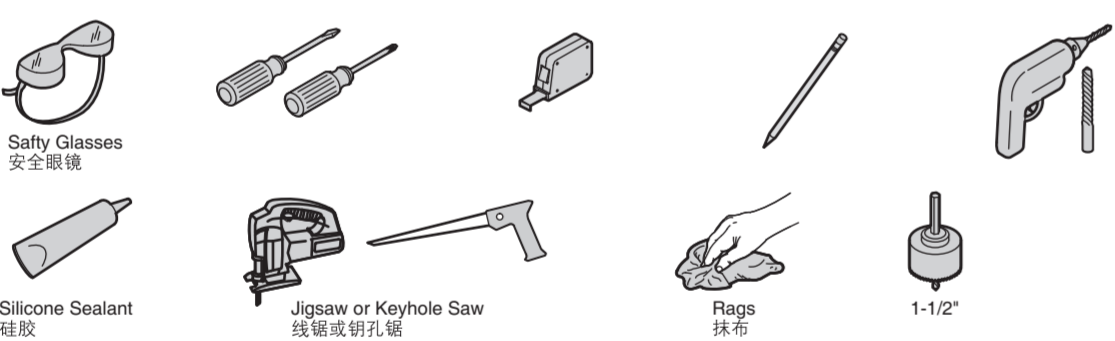
IMPORTANT INFORMATION

The cutout for the faucet holes (if needed) should be completed prior to this installation. If this product is not installed according to the steps in this guide, damage may occur to this product.

For undercounter installations: To ensure the weight of the sink is properly supported, the entire perimeter of the sink rim must rest on the wood frame.

- For undercounter installations:** Use proper techniques to ensure that the wood frame will support a minimum of 100kg.
- Observe all local plumbing and building codes.
- Undercounter sinks should be installed by experienced installers.
- Prior to installation, unpack the new sink and inspect it for damage. Return the sink to its protective carton until you are ready to install it.
- Inspect the drain and supply tubing. Replace if necessary.
- Kohler reserves the right to make revisions in the design of products without notice, as specified in the Price Book.

TOOLS



安装之前

- 使用产品前请阅读使用说明书。
- 遵循当地所有的管道和建筑规范。
- 关闭冷水和热水。
- 在安装之前，请打开新水槽的包装，检查产品是否有损坏。将水槽放回其保护性的纸箱包装，直到您准备安装。

- 检查供水和排水管道，如果需要，请更换管道。
- 此手册中的所有资料按照出版时的最新产品资料编写，科勒公司保留在任何时候不需通知便可进行更改的权利。
- 本产品符合 Q/KLCW 5。

重要信息

安装之前完成对台面和龙头孔（如需）的切割。任何违反本安装说明书步骤的操作将可能导致产品损坏，损坏可能发生在安装过程中。

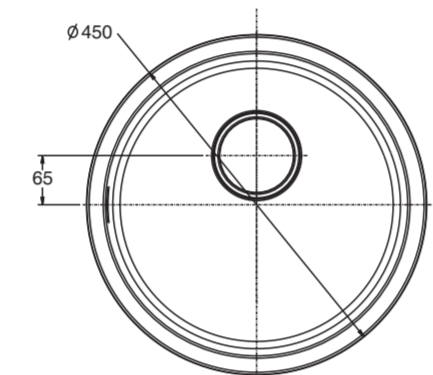
对于台下安装：为确保本厨盆的重量得到适当支撑，厨盆的整个边缘必须测量于木质框架上。

- 对于台下安装：**使用适当安装技巧，以确保木质框架至少可以承受 100kg 的重量。
- 遵守所有当地给排水及建筑规定。
- 台下盆应由具有一定经验的安装者负责安装。
- 在安装前，请打开包装，并检查产品是否完好无损，然后将厨盆放回包装内，直至安装。
- 检查供水和排水管道，若有必要请更换。
- 科勒保留更改产品设计权利，无需预先通知，详细信息请参阅价目手册。

工具

ROUGHING-IN

Reference Value
参考值
T=8.0/13.5
厚度: 8.0/13.5



尺寸图

UNIT: mm
单位: 毫米

Kohler reserves the right to change marked dimensions without prior notice. 科勒公司保留随时变更图中标示尺寸的权利，无需另行通知。

WHEN PLOTTING TEMPLATE FULL SIZE:
Make sure horizontal and vertical dimensions match the dimensions labeled on the template.

当在台面上一比一描绘切割线时，务确保模板的水平和垂直尺寸与模板上标注的一致。

INSTALLATION

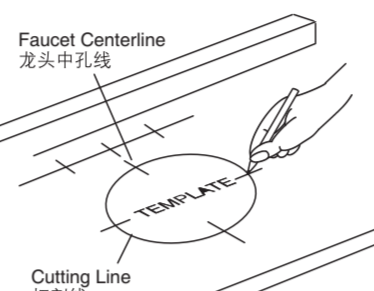
Self-rimming Installation

- Verify cabinet clearance.
- Cut out the template.
- Line out the cut-out line on the template.
- Position the template on the countertop in the desired location. Make sure the template is secured firmly in place so it cannot move.
- Check for adequate clearance between the sink, faucet and backsplash. Verify that the sink will not interfere with the cabinet during installation.
- Trace the outside edges of the template with a pencil.

安装

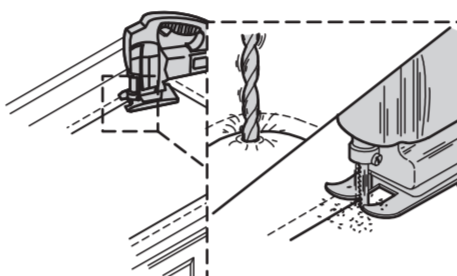
台上式安装

- 清空柜子，预留安装空间。
- 剪出切割模板。
- 沿切割模板上面的切割线剪出切割模板。
- 划出切割线。
- 将模板固定在橱柜台面的理想位置，确保模板已固定到位，无法移动。
- 检查水槽、龙头和后档水板之间有足够的间隙，确保水槽在安装过程中不会同橱柜干涉。
- 用铅笔划出切割模板的外缘。



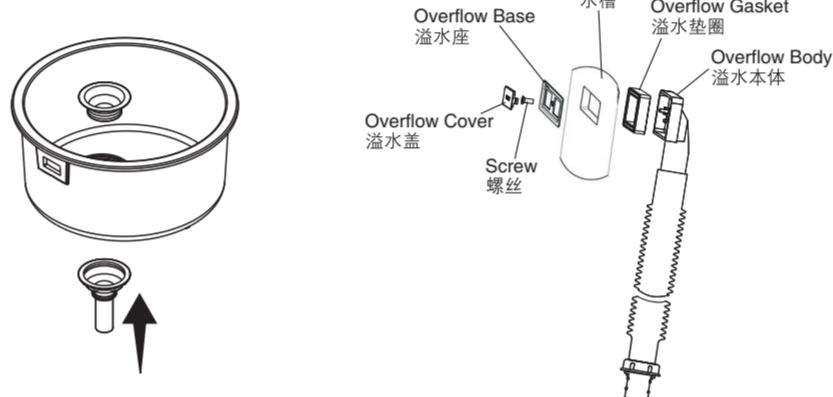
- Cut the countertop opening.
- Choose the correct cutting tool for the countertop material!

- 切割台面。
- 请根据台面材质选择正确的切割工具！



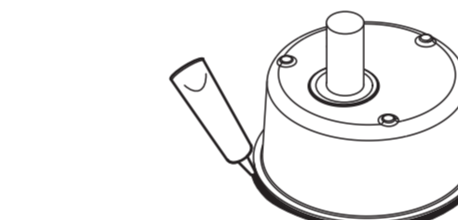
- Verify fit. Adjust cutout if needed.
- Install the faucet, accessories (if applicable), and the strainers.

- 调整厨盆位置进行安装，必要时可调整切割器。
- 安装龙头、配件（如适用）和落水。



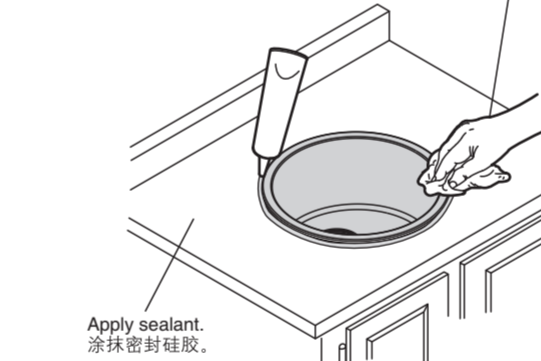
- Apply silicone sealant around the rim.

- 沿厨盆边缘涂抹硅胶。



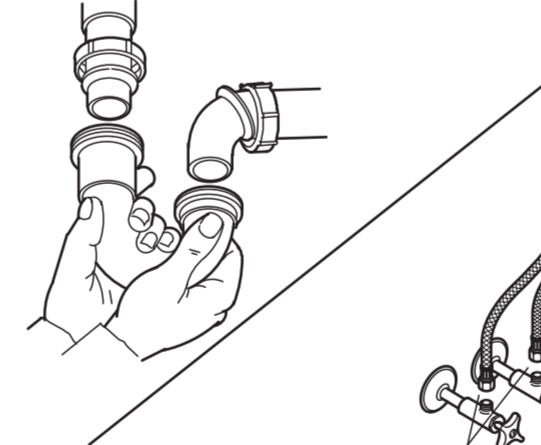
- Wipe away the excess sealant and allow to dry.

- 抹去多余硅胶，并待其干固。



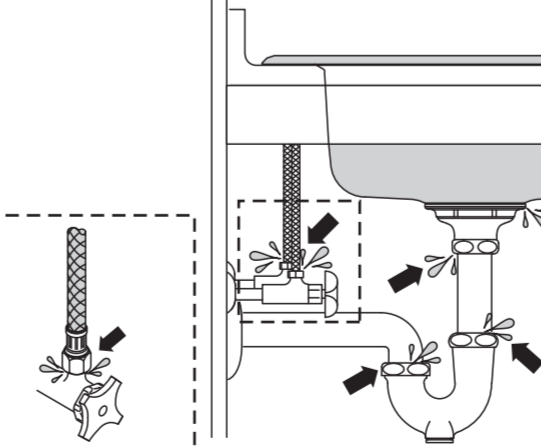
- Make the drain connections.

- 连接排水管。



- Run water into the sink and check all connections for leaks.

- 试水，检查各连接处是否存在渗漏。

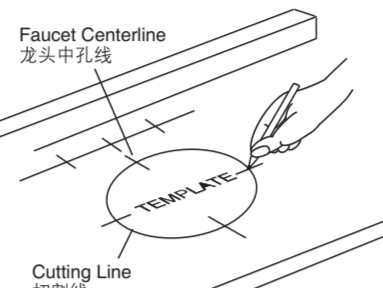


Tile in Installation

- Check and confirm the thickness of countertop is no less than 25mm.
- Cut out the template.
- Line out the cut-out line on the template.
- Position the template on the countertop in the desired location. Make sure the template is secured firmly in place so it cannot move.
- Check for adequate clearance between the sink, faucet and backsplash. Verify that the sink will not interfere with the cabinet during installation.
- Trace the outside edges of the template with a pencil.

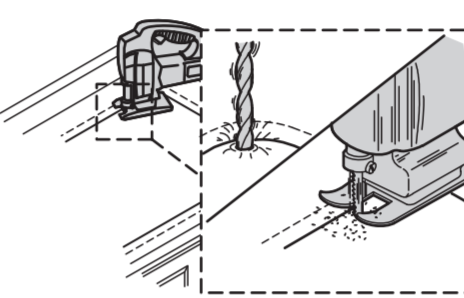
台中式安装

- 检查并确保台面厚度在25mm以上。
- 剪出切割模板。
- 沿切割模板上面的切割线剪出切割模板。
- 划出切割线。
- 将模板固定在橱柜台面的理想位置，确保模板已固定到位，无法移动。
- 检查水槽、龙头和后档水板之间有足够的间隙，确保水槽在安装过程中不会同橱柜干涉。
- 用铅笔划出切割模板的外缘。



- Cut the countertop opening.
- Choose the correct cutting tool for the countertop material!

- 切割台面。
- 请根据台面材质选择正确的切割工具！



- Place the sink into the cut-out hole, and adjust it to a proper position.
- Trace the outside outline of the sink onto the countertop.
- Polish the inner side of the outside outline until the inner side is about 10mm lower than the countertop.
- Apply a bead of quality sealant on the back rim of the sink.
- Use a dry cloth to wipe away any excess sealant.
- Verify that there are no gaps.
- Allow the sealant to cure for at least 30 minutes.

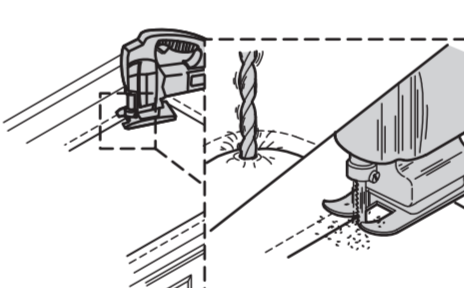
- 将水槽放入切割孔内，并调整至期望位置。
- 画下水槽外轮廓线。
- 打磨水槽外轮廓线内区域使台面水槽外轮廓线内低于台面约 10mm。
- 在水槽边缘背面涂一层优质密封胶。
- 将水槽放入切割区域。
- 用干布擦净任何多余的密封胶。
- 检查确认没有任何缝隙。
- 静置密封胶凝固至少三十分钟。

Undercounter Installations

- Verify cabinet clearance.
- Line out the cut-out line on the template.
- Position the template on the countertop in the desired location. Make sure the template is secured firmly in place so it cannot move.
- Check for adequate clearance between the sink, faucet and backsplash. Verify that the sink will not interfere with the cabinet during installation.
- Trace the outside edges of the template with a pencil.
- Cut the countertop opening.
- Choose the correct cutting tool for the countertop material!

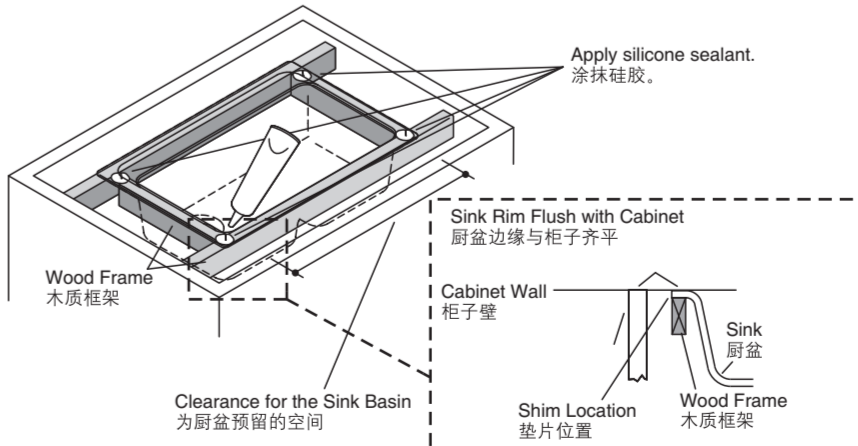
台下式安装

- 清空柜子，预留安装空间。
- 划出切割线。
- 将模板固定在橱柜台面的理想位置，确保模板已固定到位，无法移动。
- 检查水槽、龙头和后档水板之间有足够的间隙，确保水槽在安装过程中不会同橱柜干涉。
- 用铅笔划出切割模板的外缘。
- 切割台面。
- 请根据台面材质选择正确的切割工具！



- Verify all required holes correspond with the countertop cutout and/or faucet installation. If additional holes are required, refer to the "Drill Accessory Holes (Optional)" section.
- Construct a wood frame.
- To ensure the weight of the sink is properly supported with a minimum of 100kg if it is installed by cabinet countertop producer.
- NOTE: To ensure the weight of the sink is properly supported, the entire perimeter of the sink rim must rest on the wood frame.
- Construct a wood frame for the inside of the cabinet. Allow adequate clearance for the faucet valving and sink basin. Ensure the frame will support the entire sink rim.
- NOTE: The frame should be located so that once the sink is installed, the top of the sink rim will be flush with the top of the cabinet. If needed, shims can be used to bring the sink rim flush with the cabinet walls.
- NOTE: Use proper techniques to ensure that the wood frame will support a minimum of 100kg.
- Apply a 2-3mm bead of sealant at each corner of the wood frame where it will contact the sink.

- 调整直至厨盆的所有安装孔与所切割的台面和龙头安装孔吻合。
- 搭建木质框架。
- 如由橱柜台面制作方通过台面处理承重完成安装，需提前告知制作方确保台面可承受不小于100kg的重量。
- 注意：为确保本厨盆的重量得到适当支撑，厨盆的整个边缘必须测量于木质框架上。
- 在柜子内部搭建一个木质框架，为龙头阀门和厨盆预留足够空间。请确保木质框架足以支撑整个厨盆边缘。
- 注意：木质框架须搭建于适当位置，以便厨盆安装后，厨盆边缘能够与柜子顶部齐平。若有必要，可使用垫片，以辅助两者达到齐平。
- 注意：使用适当的安装技巧，以确保木质框架至少可以承受 100kg 的重量。
- 在木质框架与厨盆接触的每个角落涂抹 2-3mm 厚的硅胶。



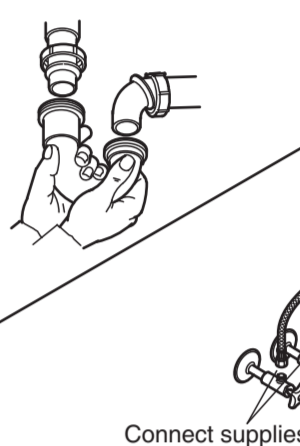
6. Install the sink

- Lower the sink into the cabinet. Verify the entire perimeter of the sink rim is supported by the wood frame.
- Verify the sink is level. Make any adjustments as needed.
- Apply a thin bead of silicone sealant where the sink meets the countertop. Immediately wipe away any excess sealant with a damp cloth. Fill any voids if needed. Recommend for mold silicone.



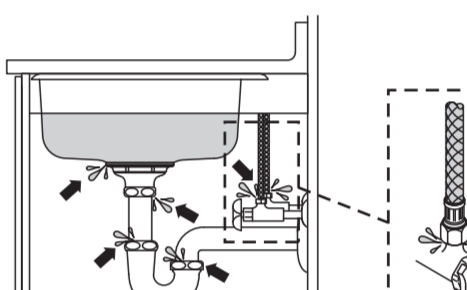
- Wipe away the excess sealant and allow to dry.
- Install faucet, accessories (if applicable), and the strainer.
- Make the drain connections.

- 抹去多余硅胶，并待其干固。
- 安装龙头、配件(如适用)和落水等。
- 连接排水管。



- Run water into the sink and check for leaks.

- 试水，检查所有连接处是否存在渗漏。



CARE AND CLEANING

For best results, keep the following in mind when caring for your KOHLER product:

- Always test your cleaning solution on an inconspicuous area before applying to the entire surface.
- Wipe surfaces clean and rinse completely with water immediately after applying cleaner. Rinse and dry overspray that lands on nearby surfaces.
- Do not allow cleaners to sit or soak.
- Use a soft, dampened sponge or cloth. Never use an abrasive material such as a brush or scouring pad to clean surfaces.
- Do not use abrasive cleansers or acidic solvents on surfaces as they may cause surface dullness or discoloration.
- Wipe your product with a soft cloth after each use to prevent a buildup of soap and scum.
- Extreme heat such as that generated by cigarettes or portable heaters can damage surfaces. Do not use such items near your product.

保养和清洁指南

为达到最佳使用效果，请按照以下要求护理您的科勒产品。

- 在使用清洁剂清洗整个产品表面前，请先在产品的不显眼处试用。
- 试用清洁剂后，请立即用清水清洗和漂洗产品表面，同时请清洗并擦干溅落于产品四周的清洁剂。
- 请勿让清洁剂浸泡或长时间停留在产品表面。
- 请使用柔软湿润的海绵或布。请勿使用刷子或百洁布等磨蚀性材料擦拭产品表面。
- 请勿在表面使用磨蚀性清洁工具或酸性溶液，以免使产品表面变色或失去光泽。
- 每次使用后，请用柔软的布擦拭产品表面，以避免皂液或污垢的堆积。
- 由香烟或便携式加热器等物品产生的高热会损坏表面。请勿在产品附近使用此类物品。

RIM OF SINK
水槽边缘

FOR SELF-RIMMING INSTALLATION OR
TILE IN INSTALLATION
CUT ALONG THIS LINE
专用于台上/台中安装
沿此线切割

FOR UNDERCOUNTER INSTALLATION
CUT ALONG THIS LINE
专用于台下安装
沿此线切割