

记录您的型号:

Record your model number: _____

小心: 存在淡水污染风险。此水龙头包含反虹吸保护。为防止水污染, 请勿移除任何内部组件。

重要信息! 水龙头施加的水效标识表明本产品的水效等级等性能符合 GB 25501-2019《水龙头水效限定值及水效等级》的要求, 是产品符合性的一种标识。

重要信息! 安装水龙头后, 较薄的不锈钢水槽可能会弯曲。可以考虑增加 1/2 英寸胶合板作为支撑, 以使安装更加稳固。

您的产品可能与所示产品有所不同。安装步骤相同。

请遵守当地管路安装及建筑条例。

如果可能, 在安装水槽之前, 将水龙头安装到水槽上。

关闭供水系统。

阅读并遵守所有说明

保存说明书

所需工具和材料:

1A. 供水阀

安装步骤:

3A. 将螺钉部分拧入环中, 直至螺钉从另一侧伸出 1/4 英寸 (6 毫米)。

4A. 红色垫圈

4B. 金属垫圈

5A. 前后定位螺钉。拧紧螺丝。

6A. 打开供水系统, 检查是否漏水。

7A. 冲洗热水和冷水供水管道 1 分钟以去除杂质。

8A. 将重锤以松弛的方式安装到花洒软管上。

9A. 将花洒软管连接到接头上。

10A. 将配重放置在花洒软管弯头上方 2" (51 mm) - 3" (76 mm) 处, 然后拧紧螺丝。

11A. 根据需要调整配重, 以实现正确的定位和操作。

12A. **保养:** 打开供水管, 摩擦花洒出水嘴, 去除杂质。

13A. **保养:** 定期冲洗滤网垫圈和花洒限流器, 去除其中的杂质。

需要帮助? 请联系我们的客户服务中心。

• 中国大陆: +(86) 800-820-2628, +(86) 400-820-2628

• 中国香港、中国澳门、中国台湾: +(852) 3125-7728

• **保养和清洁:** kohler.com.cn/support/care-and-cleaning/

本产品支持科勒®水龙头五年有限担保, 详见包装所附的《合格证》。

CAUTION: Risk of fresh water contamination. This faucet contains back-siphonage protection. To prevent water contamination, do not remove any internal components.

IMPORTANT! The water efficiency label applied to the faucet indicates that the water efficiency grade and other performance of the product meet the requirements of GB 25501-2019 "Minimum Allowable Values of Water Efficiency and Water Efficiency Grades for Faucets" which is a marking of product conformity.

IMPORTANT! Thin stainless steel sinks may flex after faucet installation. Consider adding 1/2" plywood support for a more rigid installation.

Your product may appear different from the one illustrated. The installation procedure is the same.

Follow all local plumbing and building codes.

If possible, assemble the faucet to the sink before installing the sink.

Turn OFF the water supplies.

READ AND FOLLOW ALL INSTRUCTIONS

SAVE THESE INSTRUCTIONS

Required Tools and Materials:

1A. Supply Stops

Installation Steps:

3A. Partially thread the screws into the ring until they extend 1/4" (6 mm) out the opposite side.

4A. Red Washer

4B. Metal Washer

5A. Position the screws to the front and back. Tighten the screws.

6A. Turn ON the water supply and check for leaks.

7A. Flush hot and cold water for 1 minute to remove any debris.

8A. Loosely attach the weight to the spray hose.

9A. Connect the spray hose to the clip.

10A. Position the weight 2" (51 mm) - 3" (76 mm) above the bend in the spray hose and tighten the screw.

11A. Adjust the weight as needed for proper positioning and operation.

12A. **Maintenance:** Periodically rub debris from the nozzles while water is running.

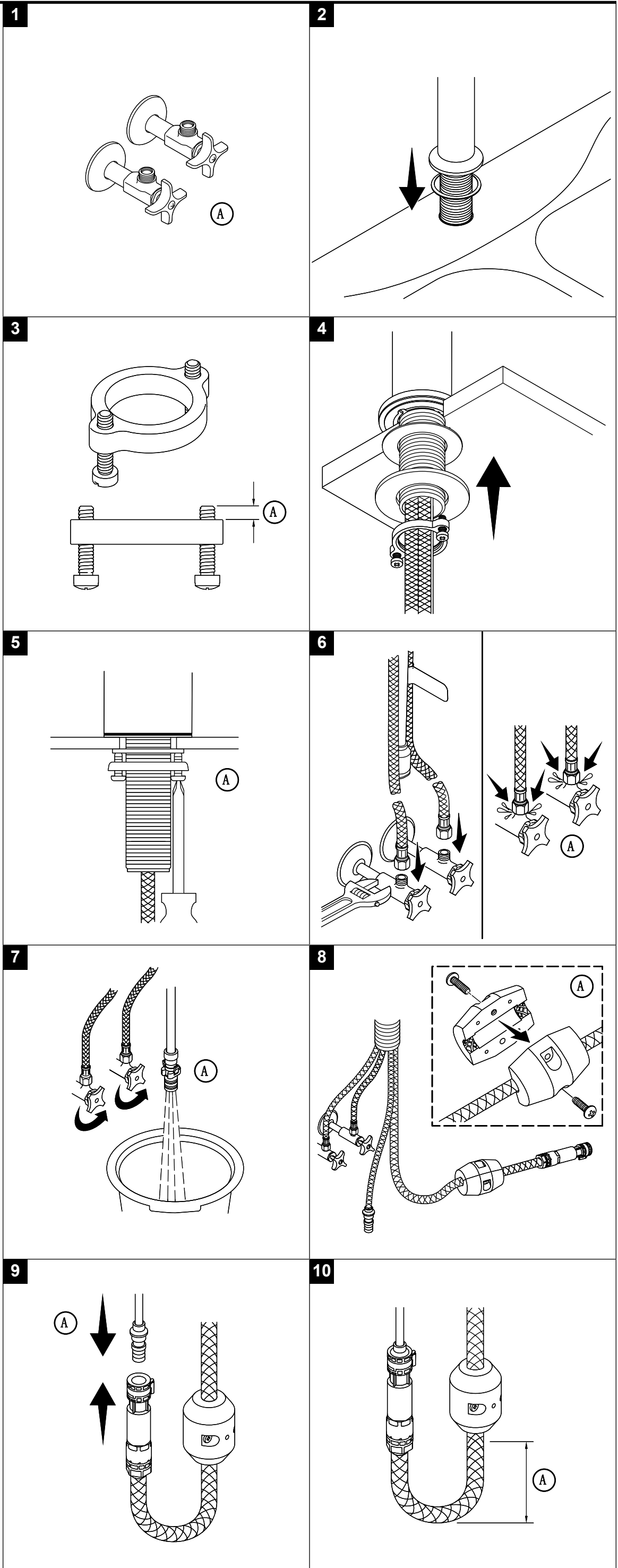
13A. **Maintenance:** Periodically rinse debris from the screen washer and flow restrictor.

Need help? Contact our Customer Care Center.

• Mainland China: +(86) 800-820-2628, +(86) 400-820-2628

• Hong Kong (China), Macau (China), Taiwan (China): +(852) 3125-7728

• **Care and cleaning:** kohler.com.cn/support/care-and-cleaning/



This product is covered under the **Five-Year Limited Warranty for KOHLER® Faucets**, found in the packed Compliance Certification.

