

# 安装说明

## 入墙式隐藏水箱

记录您的型号：  
Record your model number: \_\_\_\_\_

English, page 15

**KOHLER**<sup>®</sup>

1570929-T2-A

## 感谢您选择科勒

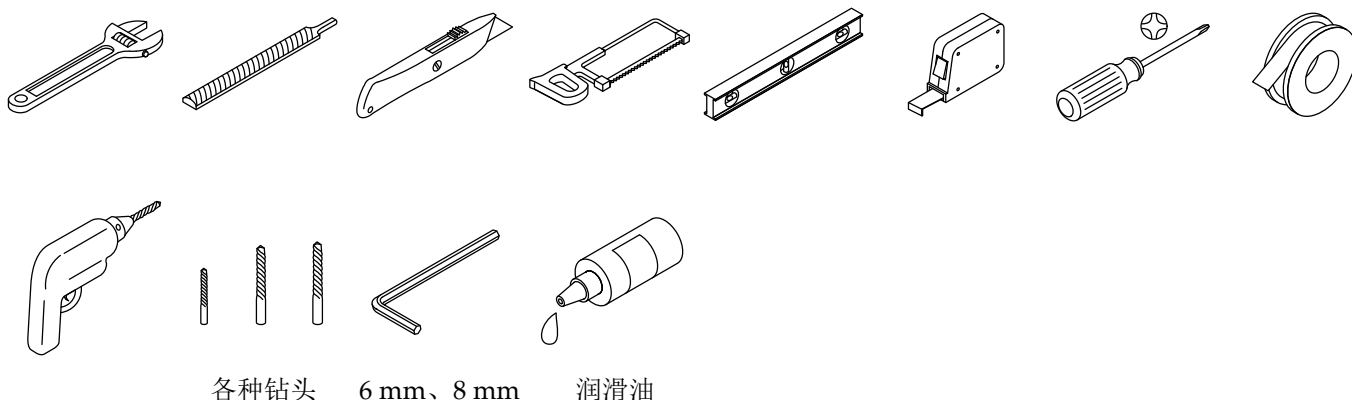
---

需要帮助？请联系我们的客户服务中心。

- 中国大陆：+(86) 800-820-2628, +(86) 400-820-2628
- 保养和清洁：[kohler.com.cn/support/care-and-cleaning/](http://kohler.com.cn/support/care-and-cleaning/)

## 工具和材料

---



以及：

- 电工套管
- 绝缘胶布
- M8 方头自攻螺丝

## 安装前

---

安装前请阅读所有说明

**警告：** 财产或产品受损风险。请勿使用具有腐蚀性的，非中性的洁厕剂或溶剂。具有腐蚀性的，非中性的洁厕剂或溶剂可能会损害水箱配件，从而导致漏水与财产损失。

**小心：** 财产受损风险。在安装本产品的同一房间中，需要在触手可及的位置安装一个止水阀，用于紧急情况下，无需借助工具即可切断本产品的进水水路；否则本产品的意外故障可能会导致用户损失。

**注：** 请不要采用非科勒公司提供的零部件，如玻璃胶等不能用于本公司配件的安装。因使用非科勒公司提供的零部件安装而导致产品损坏，科勒公司恕不负责。

请确保水箱安装所需要的空间，并不会影响到门的开关。隐藏水箱应安装在厚度超过 3-15/16" (100 mm) 的实心墙上。安装水箱前，请预留一个外径为 110 mm 的排水管道用于座便器排污。建议使用符合 CJ/T250-2018 要求的高密度聚乙烯 (HDPE) 排水管，或符合 GB/T 5836.2-2018 要求的聚氯乙烯 (PVC) 排水管。

请理顺气管并减掉多余的气管。

在水箱前方用水泥构筑假墙时，须在水箱与水泥之间做好相关保护措施，以免损坏箱体。

请对产品做好保护，防止尘土、泥沙及其他杂物进入水箱，影响产品功能。

水箱面板前按安装，当环境温度与水温相差大于 50°F (10°C) 时，水箱窗口建议增加遮板（可选配）。

请遵守当地管路安装及建筑条例。

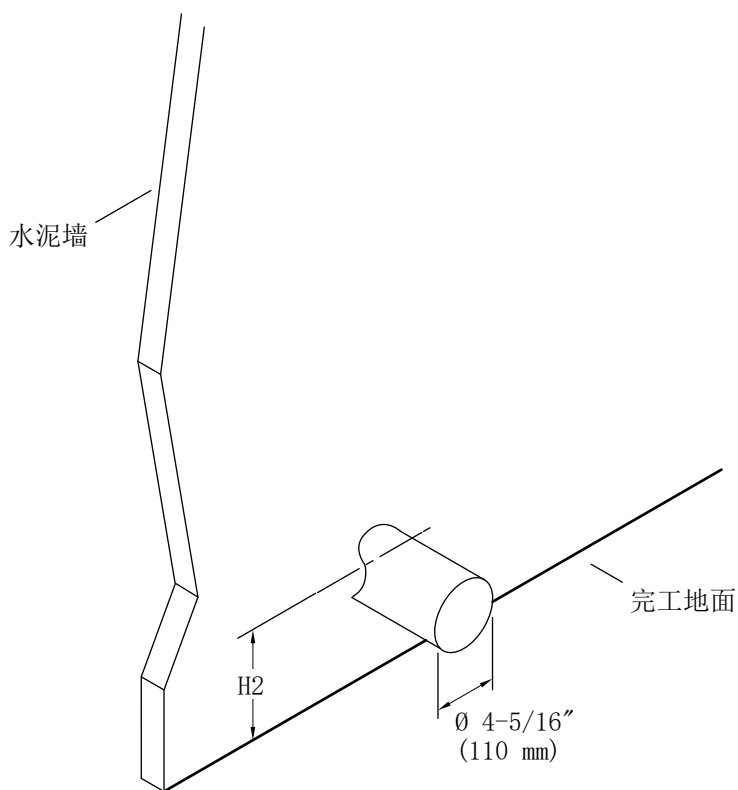
本产品符合 GB/T 26730-2011 标准。

## 产品信息

<b>产品信息</b>	
海德丽 201 气动入墙式隐藏水箱，4.0/6.0 升（维亚五级旋风挂墙）	K-33189T-VL
<b>产品规格</b>	
冲洗水量	大档水量：1.58 加仑（6.0 升） 小档水量：1.05 加仑（4.0 升）
供水条件	最低供水条件：0.02 MPa（动压） 最高供水条件：0.74 MPa（静压）
使用温度	环境温度：33.8°F (1°C) - 131°F (55°C) 水温：33.8°F (1°C) - 113°F (45°C)
当环境温度和水温之间的差异较大时，建议对水箱周围和底壁进行防水处理。	

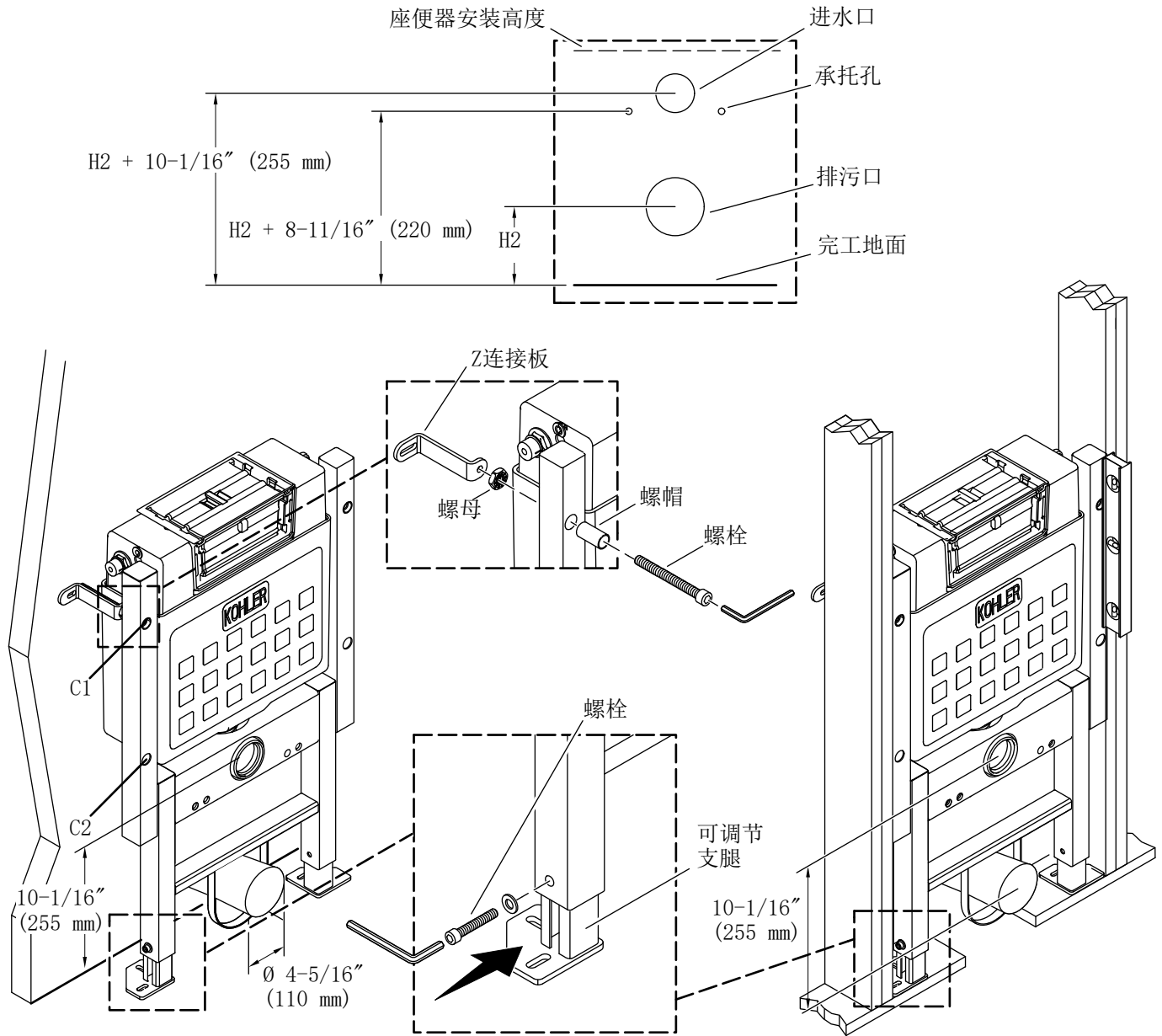
## 1. 定位排污管道

---



- 根据座便器安装高度确定排污管口中心线到完工地面的高度 (H2)。关于 H2 尺寸，请查阅附在隐藏水箱正面的标签“施工尺寸指引及注意事项”。
- 水箱安装前，请确认在 H2 高度位置已安装有一个外径 4-5/16"(110 mm)的排污管（不提供），排污管长度需保证凸出水箱正面 100 mm。

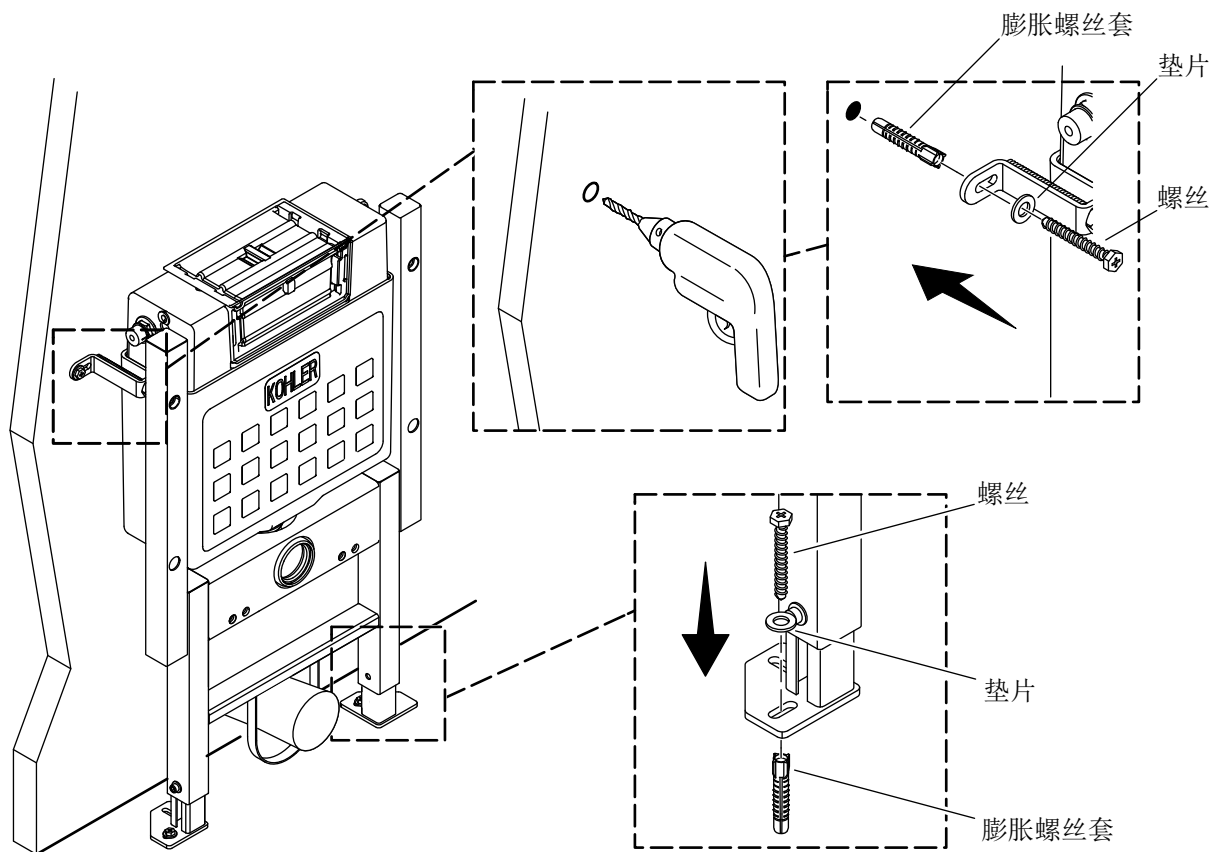
## 2. 定位隐藏水箱



**注：** 对于 Z 连接板固定点位，C1 和 C2 点位均可固定 Z 连接板，建议使用 C2 点位固定 Z 连接板。

- 首先，根据座便器安装高度确定排污管口中心线到进水口中心线的高度 { $H2 + 10-1/16''$  (255 mm)}。关于 H2 尺寸，请查阅附在隐藏水箱正面的标签“施工尺寸指引及注意事项”。
- 其次，使用 6 mm 六角扳手拧松螺栓，调整两侧可调节支腿至合适高度（满足座便器安装高度即可）。
- 然后，拧紧螺栓以固定两侧可调节支腿，确保水箱保持水平。
- 最后，使用 8 mm 六角扳手拧紧水箱架上的螺栓、螺帽和螺母以固定两侧 Z 连接板，确保水箱保持垂直。

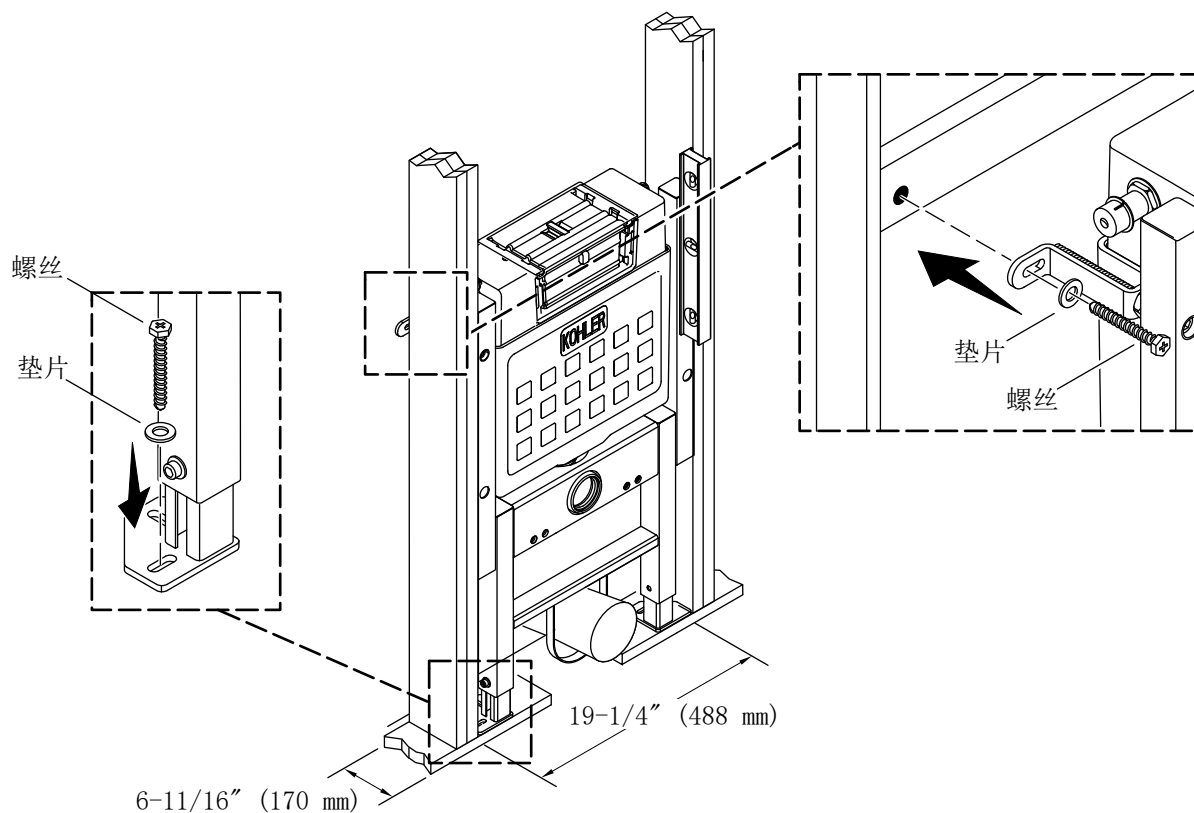
### 3. 安装隐藏水箱（在实心承重墙上）



注：实心墙厚度应不小于 3-15/16"（100 mm）。

- 首先按照水箱定位，将水箱水平垂直靠着实心墙摆放。
- 在实心墙和地面上用铅笔标记膨胀螺丝固定孔位。
- 按图示钻四个内径为 12 毫米、深度为 65 毫米的膨胀螺丝固定孔。
- 其次将膨胀螺丝套塞入膨胀螺丝固定孔内。
- 拧紧两侧共四个螺丝和垫片以固定水箱。
- 最后确保水箱水平和垂直。

#### 4. 安装隐藏水箱（可选在木框架上）

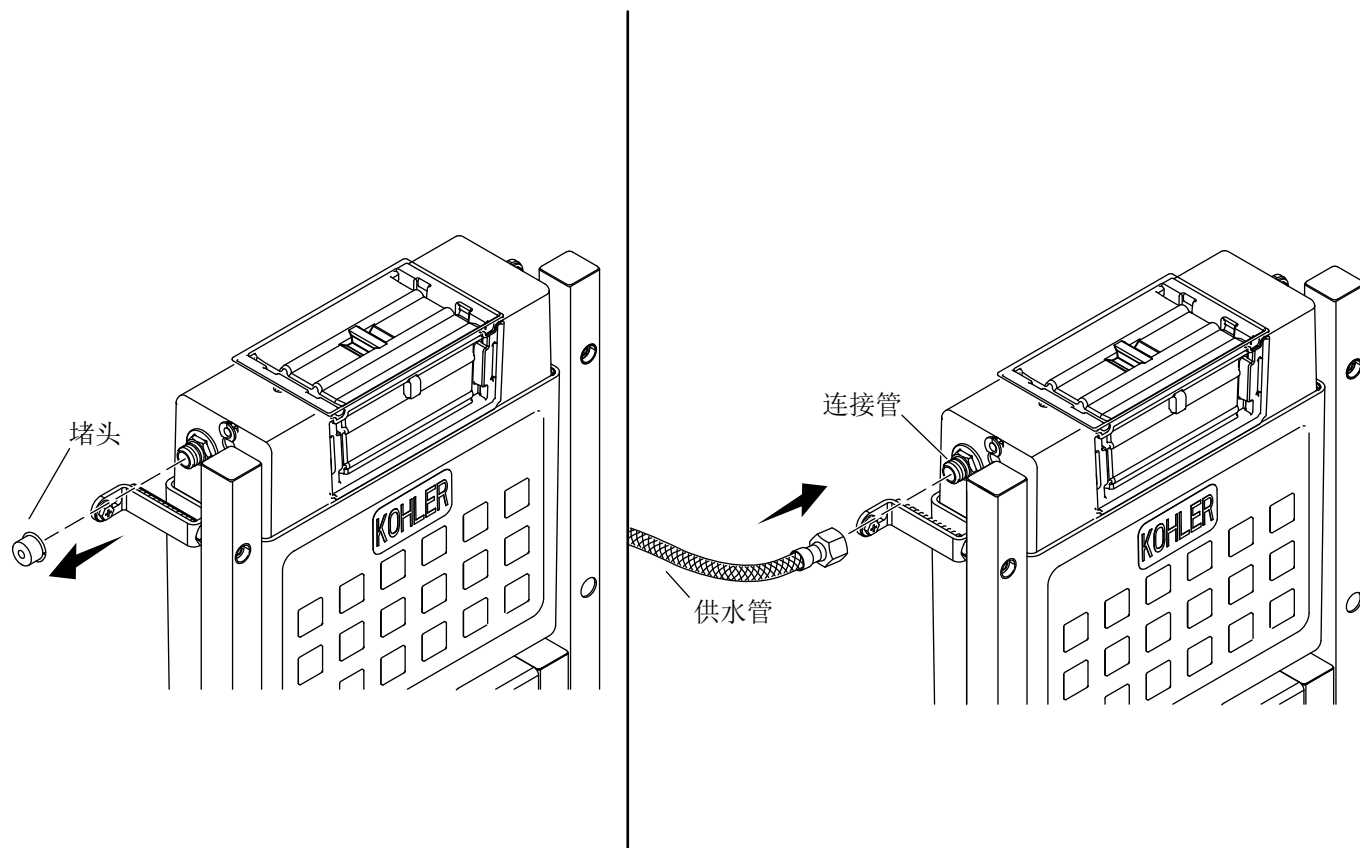


**注：** 木框架应足够坚固以支撑水箱和座便器。

**注：** 当在木框架上安装水箱时，请使用 M8 方头自攻螺丝。

- 首先按照水箱定位，将水箱水平垂直摆放在木框架内。
- 按图示拧紧两侧共四个螺丝和垫片以固定水箱。
- 最后确保水箱水平垂直。

## 5. 连接供水管



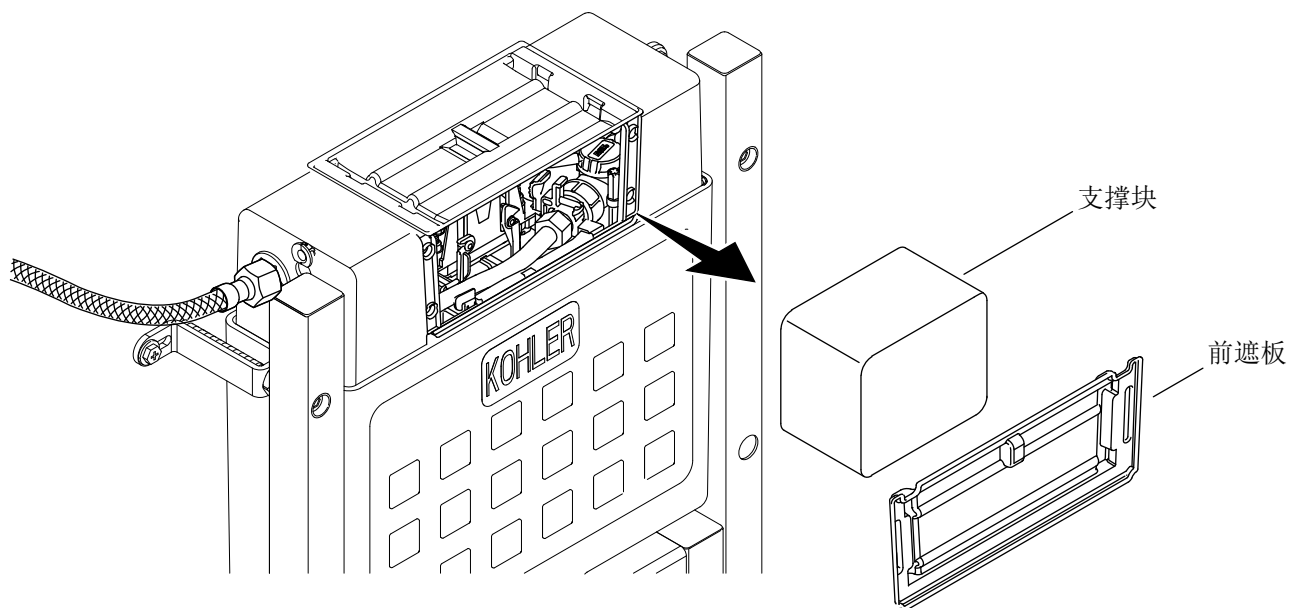
**注：** 安装前请冲洗 G1/2 供水管，确保供水管内没有残留的沙石或污垢。

**注：** G1/2 供水管可以是软管或硬管。

**注：** 检查供水管连接处是否漏水后，请关闭水箱内止水阀，并在安装面板之前打开水箱内止水阀。关于如何关闭水箱内止水阀，请参阅《用户手册》。

- 拧掉堵头。
- 连接供水管与连接管。
- 检查是否漏水。

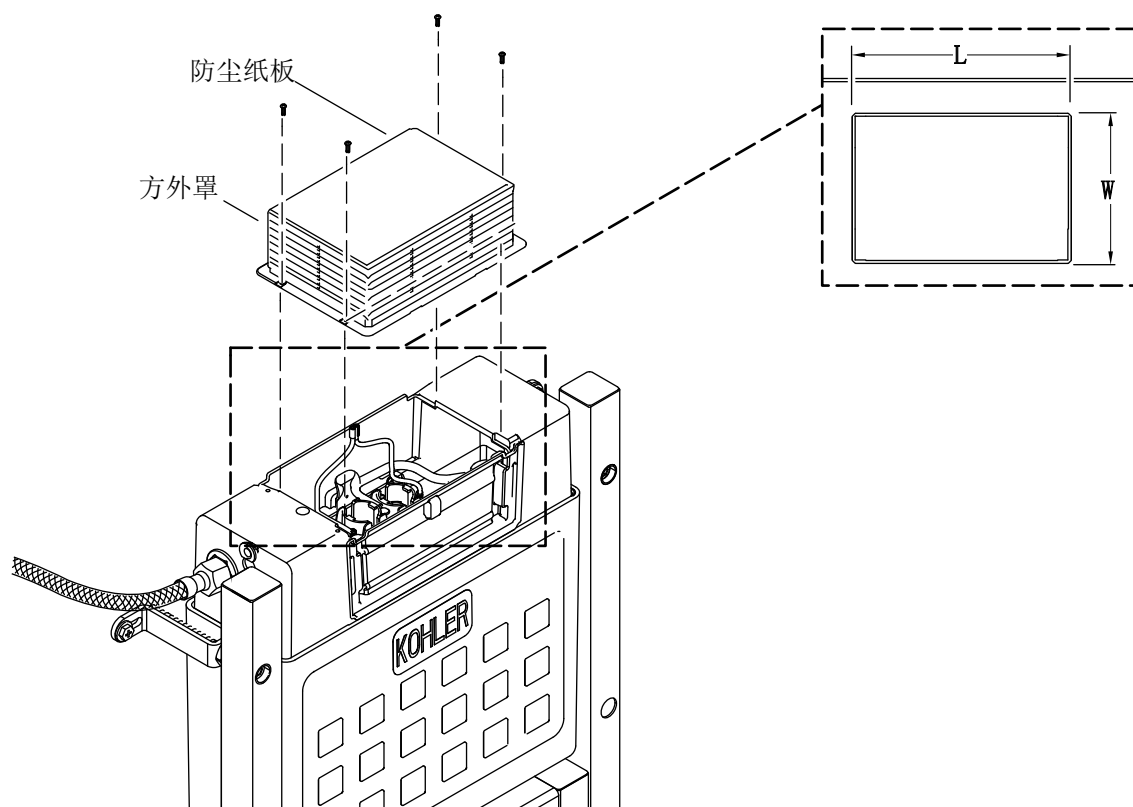
## 6. 预留水箱检修口



**注：** 安装方外罩之前不要移除或丢弃遮板。遮板可以有效防止施工期间的灰尘和杂物进入水箱。

- 按照图示移除遮板和支撑块。
- 将遮板固定到水箱上。
- 隐藏水箱支持多种不同类型的面板。有关更多详细信息，请参考以下章节。

## 7. 安装面板 - 选项 1 顶按



**注：** 面板安装前，请务必保留方外罩和防尘纸板。

### 水箱窗口安装面板-顶按方式

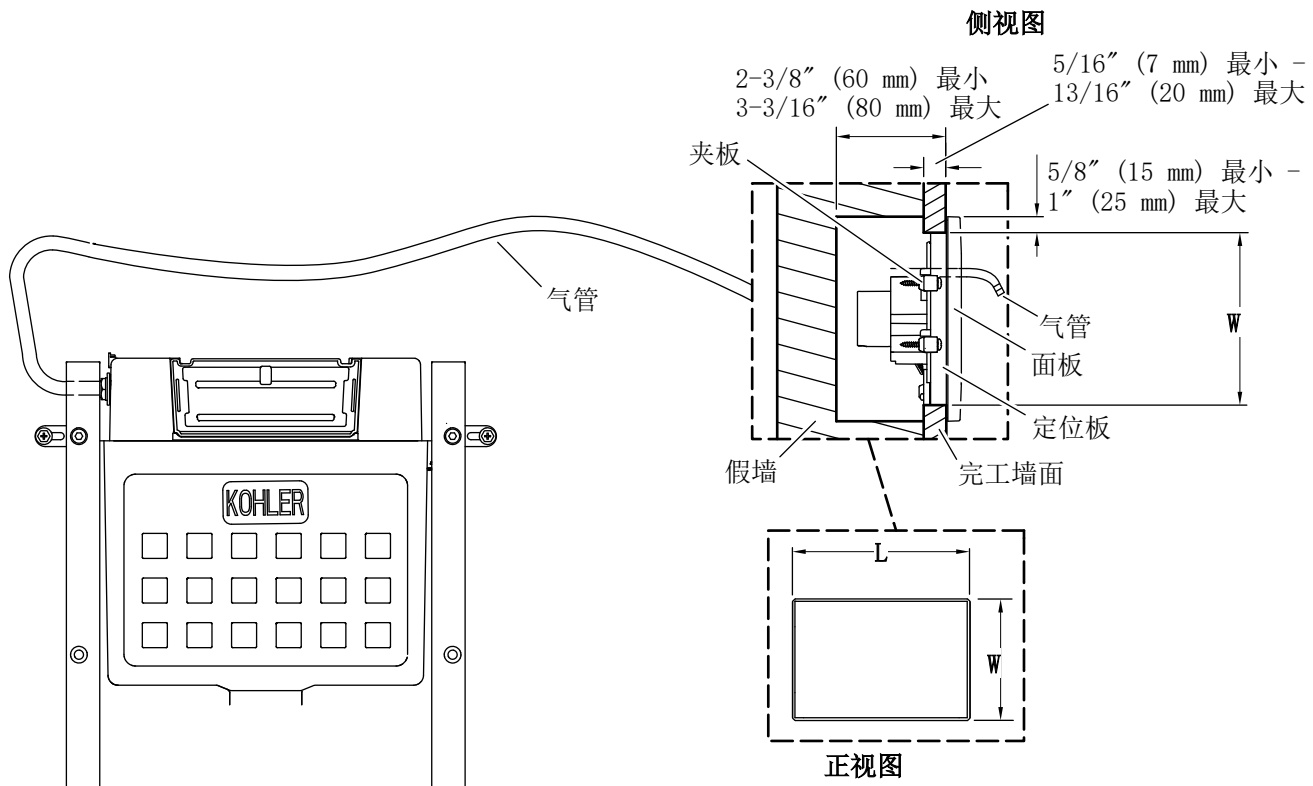
- 移除遮板。
- 安装方外罩。
- 拧紧螺丝以固定方外罩。

### 推荐面板型号：

**注：** 根据水箱方外罩的尺寸“L”（长度）和“W”（宽度）选择面板。

- 方外罩长度为 7-15/16" (201 mm)，宽度为 5-3/8" (136 mm)：选择科勒外形尺寸为 8-7/8" (225 mm) × 6-5/16" (160 mm) 的气动或感应面板。

## 8. 安装面板 - 选项 2 远程或前按夹板安装



### 远程面板安装

**注：** 当远程面板安装时，砌墙时请注意预留活动窗口以备后续维修。

**注：** 当前按面板安装时，面板安装窗口不可遮挡水箱正面窗口，面板安装窗口即为维修窗口。

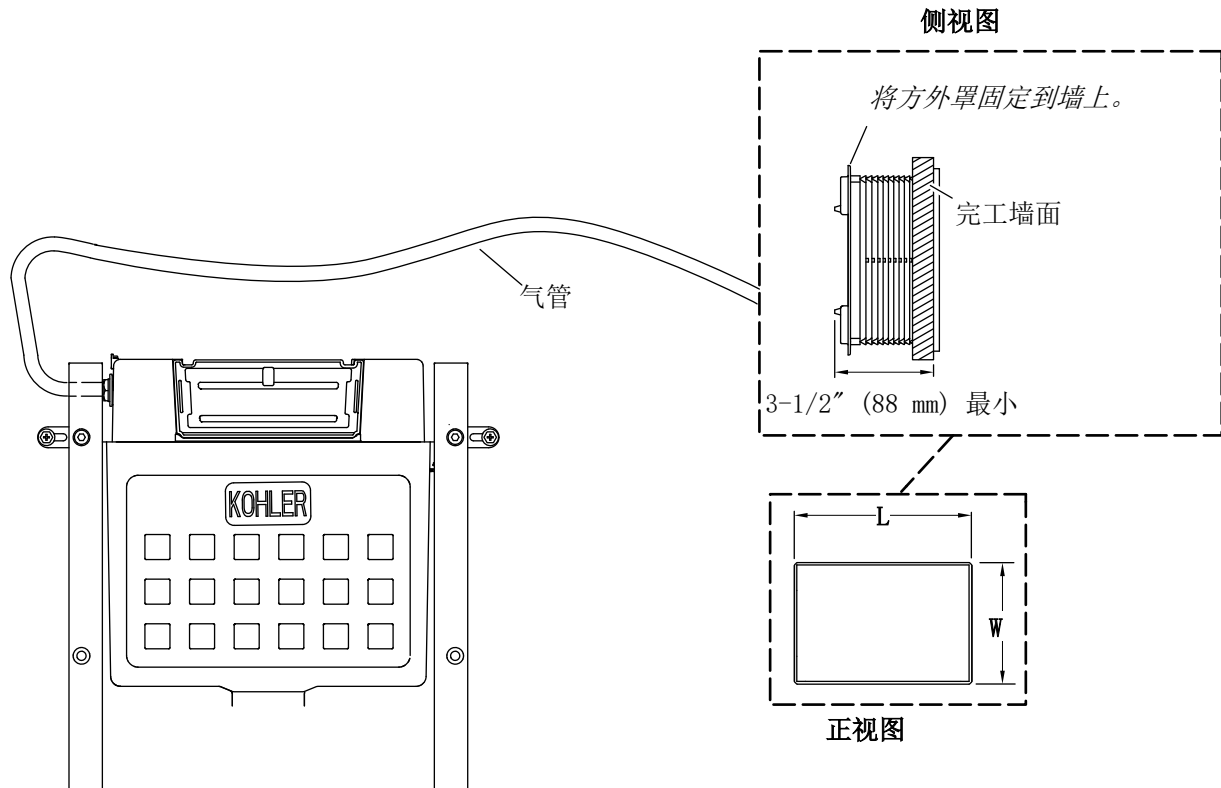
- 预留一条穿线管（请自行购买）可允许两条气管穿过，供远程面板安装。
- 建议预留墙内 2-3/8" (60 mm)-3-3/16" (80 mm) 深的避位，夹板安装厚度建议 5-16" (7 mm)-13/16" (20 mm)，完工墙内侧预留夹板安装深度 5/8" (15 mm)-1" (25 mm)。

### 推荐面板型号：

**注：** 根据面板安装孔的尺寸“L”（长度）和“W”（宽度）选择面板。

- 面板安装孔长度为 7-15/16" (201 mm)，宽度为 5-3/8" (136 mm)：选择科勒外形尺寸为 8-7/8" (225 mm) x 6-5/16" (160 mm) 的气动面板。
- 面板安装孔长度为 7-15/16" (201 mm)，宽度为 4-13/16" (122 mm)：选择科勒外形尺寸为 8-7/8" (225 mm) x 5-7/16" (137.5 mm) 的气动面板。
- 面板安装孔长度为 7-1/2" (191 mm)，宽度为 3-5/8" (91 mm)：选择科勒外形尺寸为 8-1/4" (210 mm) x 4-9/16" (115 mm) 的气动面板。
- 面板安装孔长度为 5-3/4" (146 mm)，宽度为 1-5/8" (41 mm)：选择科勒外形尺寸为 6-1/8" (156 mm) x 2" (51 mm) 的气动面板。

## 9. 安装面板 - 选项 3 远程或前按方外罩安装



### 远程面板安装（附方外罩）

**注：** 当远程面板安装时，砌墙时请注意预留活动窗口以备后续检修。

**注：** 当前按面板安装时，面板安装窗口不可遮挡水箱正面窗口，面板安装窗口即为维修窗口。

预留一条穿线管（请自行购买）可允许两条气管穿过，供远程面板安装。

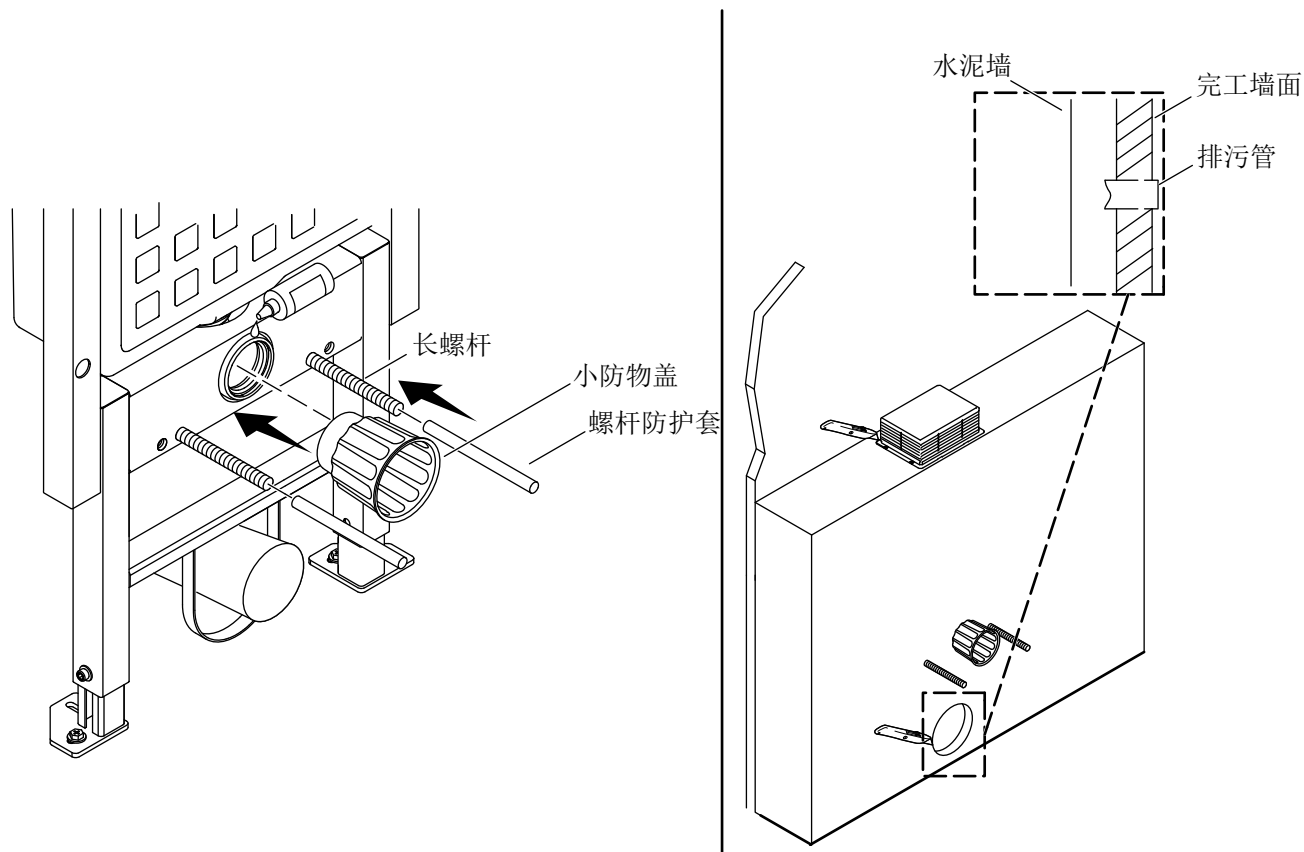
墙内至少预留 3-1/2" (88 mm) 深的避位。

### 推荐面板型号：

**注：** 根据水箱方外罩的尺寸“L”（长度）和“W”（宽度）选择面板。

方外罩长度为 7-15/16" (201 mm)，宽度为 5-3/8" (136 mm)；选择科勒外形尺寸为 8-7/8" (225 mm) x 6-5/16" (160 mm) 的气动面板。

## 10. 砌墙



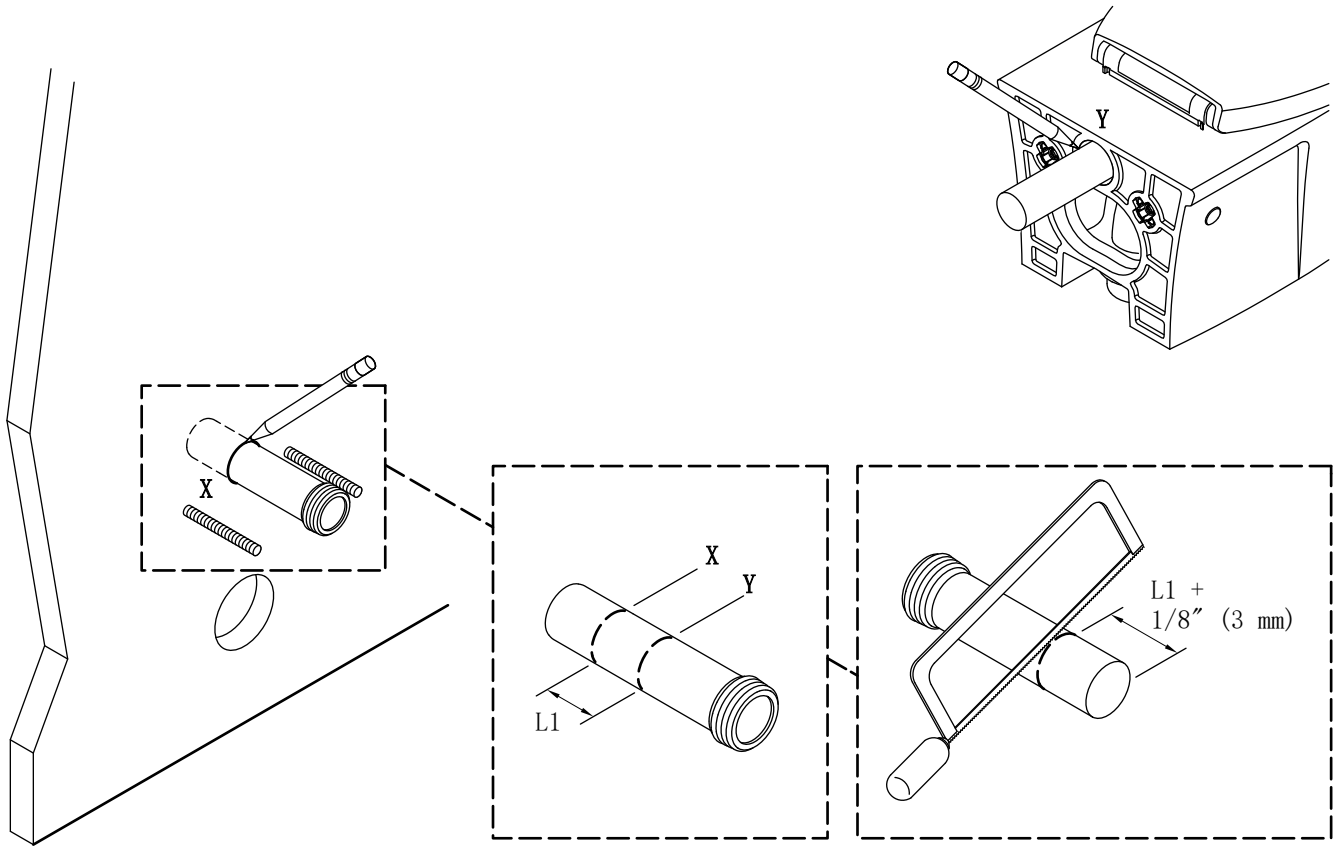
**重要信息!** 砌墙前，请确保固定排污管道。排污管探入假墙内深度至少为 2-3/8"(60 mm)。排污管凸出假墙面最多 3/16"(5 mm)。

**注：** 建议使用防物盖遮住排污管口。

**注：** 安装面板前，建议保留方外罩防尘纸板。

- 首先根据隐藏水箱正面的标签“施工尺寸指引及注意事项”确定座便器需求的螺杆孔。
- 将两根长螺杆旋入水箱架的对应螺杆孔中。
- 装上螺杆防护套。
- 然后用小防物盖遮住进水孔。
- 砌墙。关于完工墙面厚度，考虑面板安装要求，请查阅“预留水箱检修口”相关章节。
- 最后施工完成后，取下大小防物盖，如装有方外罩，将方外罩凸出墙面的部分按需裁切即可。
- 按需裁切排污管，建议凸出完工墙面不超过 3/16" (5 mm)。
- 安装面板。请参考面板《安装说明》。

## 11. 安装座便器 - 裁切进水管



**注：** 当准备安装座便器时，请完成此步骤。

**注：** 将裁切好的进水管重新安装到水箱的进水口中，确认 X 和 Y 标记之间的重叠偏差小于 1/8" (3 mm)。

- 首先将进水管分别安装到水箱进水口一侧和座便器一侧。
- 如图所示，用铅笔在进水管的两端标记 X、Y，量出 L1 的长度。
- 在进水管上，按照  $\{L1 + 1/8" (3 \text{ mm})\}$  的长度标记，裁切进水管的多余部分。
- 使用锉刀将表面磨平。
- 将裁切好的进水管一侧装回水箱进水口。
- 安装座便器。请参考座便器《安装说明》。

# Installation Instructions

## In-wall Tank

## Thank You for Choosing KOHLER

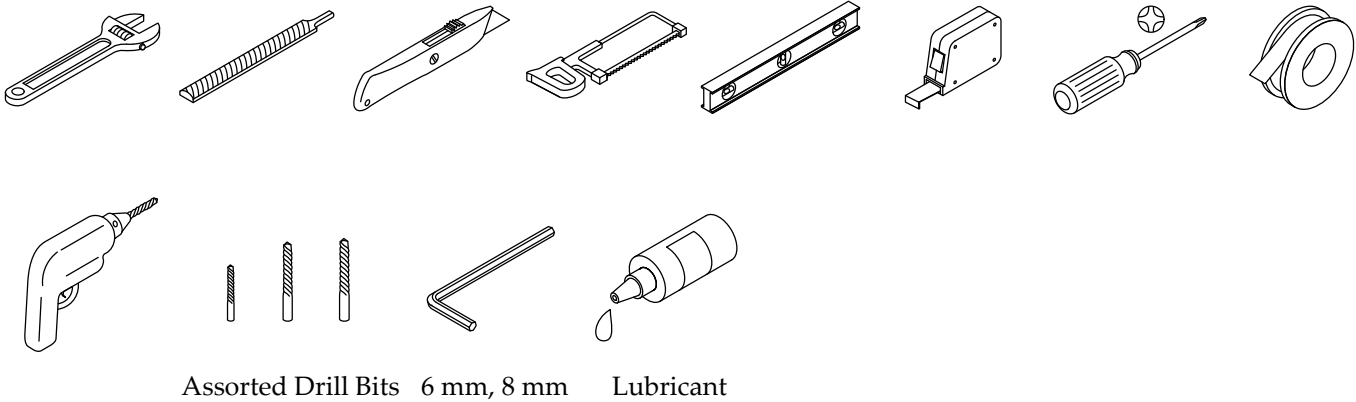
---

Need help? Contact our Customer Care Center.

- Mainland China: +(86) 800-820-2628, +(86) 400-820-2628
- Care and cleaning: [kohler.com.cn/support/care-and-cleaning/](http://kohler.com.cn/support/care-and-cleaning/)

## Tools and Materials

---



Plus:

- Bushing
- Insulation tape
- M8 coach/tek screws

## Before you Begin

---

### READ ALL INSTRUCTIONS BEFORE INSTALLATION

**⚠ WARNING: Risk of property or product damage.** To avoid any damage to fittings in the tank, do not use corrosive, non-neutral toilet bowl cleaners or solvents. This can cause leakage and property damage.

**⚠ CAUTION: Risk of property damage.** When installing the product in the room, a stop valve should be installed within the certain distance. For emergency circumstances, users should be able to close the water inlet valve without using any tools; otherwise unexpected failure may cause losses to the customer.

**NOTE:** Install components that are provided by Kohler Co. The glass adhesive tape shall not be applied to the tank installation. Kohler Co. will not be responsible for any damage related to installation with components not provided by Kohler Co.

Before installation, please make sure there is sufficient space for the equipment. Install the tank frame on a solid wall thicker than 3-15/16" (100 mm). Keep a DN 110 mm drainage hole before tank installation. Recommend to use high-density polyethylene (HDPE) drainage pipe that complies with CJ/T250-2018 or Polyvinyl Chloride (PVC) drainage pipe that complies with GB/T 5836.2-2018.

Please straighten out the air tube and remove excess length of the tube.

During building the wall, please take protective measures and do not squeeze the tank body directly with concrete, brick, or other hard materials.

This product should be well protected to prevent dust, mud, and other debris from entering the tank, which may otherwise impact its function.

When the faceplate is installed onto the front side of the tank, it is recommended to add a cover to the in-wall tank window when the differences between the air temperature and water temperature are greater than 50°F (10°C).

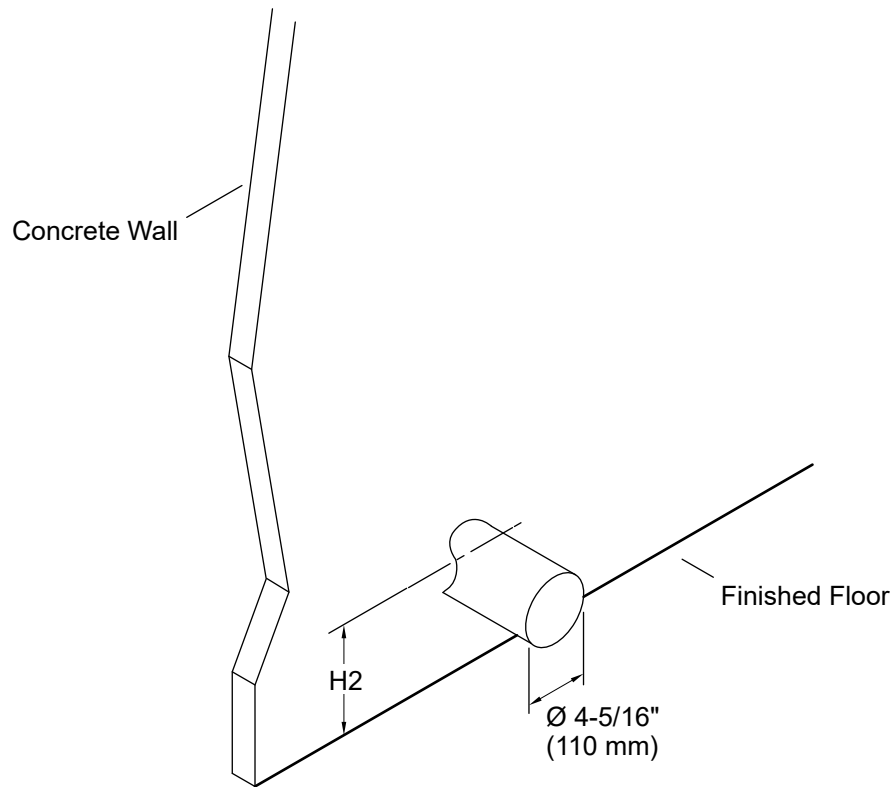
Follow all local plumbing and building codes.

This product complies with GB/T 26730-2011.

## Product Information

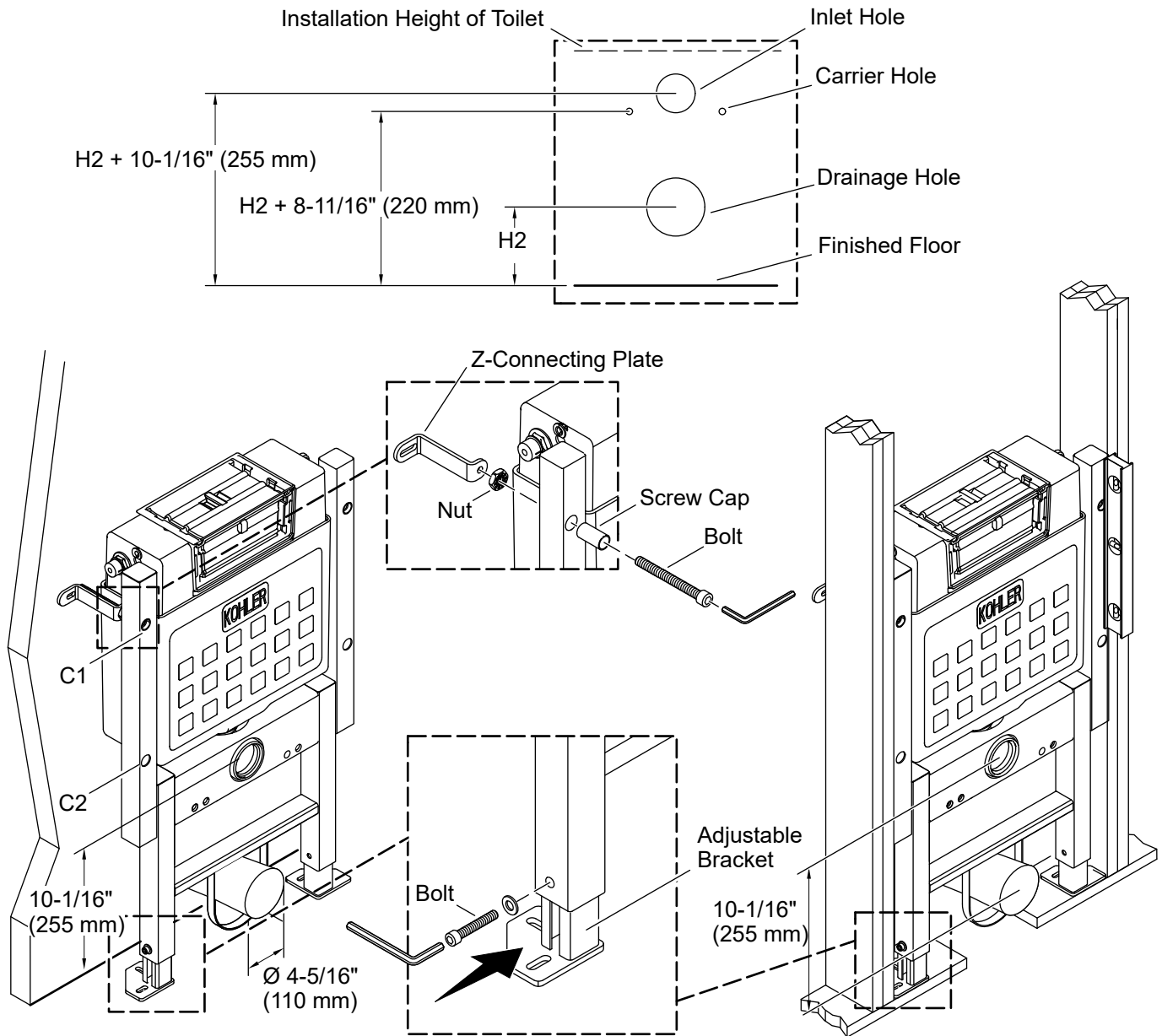
<b>Product Information</b>	
HT201 PNE IWT W/F 4.0/6.0L (VEIL WH)	K-33189T-VL
<b>Product Specification</b>	
Liters per flushing	Full flushing volume: 1.58 gal (6.0 L) Half flushing volume: 1.05 gal (4.0 L)
Water Supply	Min water supply: 0.02 MPa (dynamic pressure) Max water supply: 0.74 MPa (static pressure)
Temperature	Air temperature: 33.8°F (1°C) - 131°F (55°C) Water temperature: 33.8°F (1°C) - 113°F (45°C)
When the difference between the air temperature and the water temperature is large, it is recommended to apply waterproof treatment around the tank and the bottom wall.	

## 1. Locate the Drainage Pipe



- Determine the height (H2) of the centerline of the drainage pipe to the finished floor according to the mounting height of the toilet bowl. For details about H2, refer to the label on the frontside of the tank.
- Install the  $\text{Ø } 4\text{-}5/16\text{'}$  (110 mm) drainage pipe (not supplied) before tank installation.

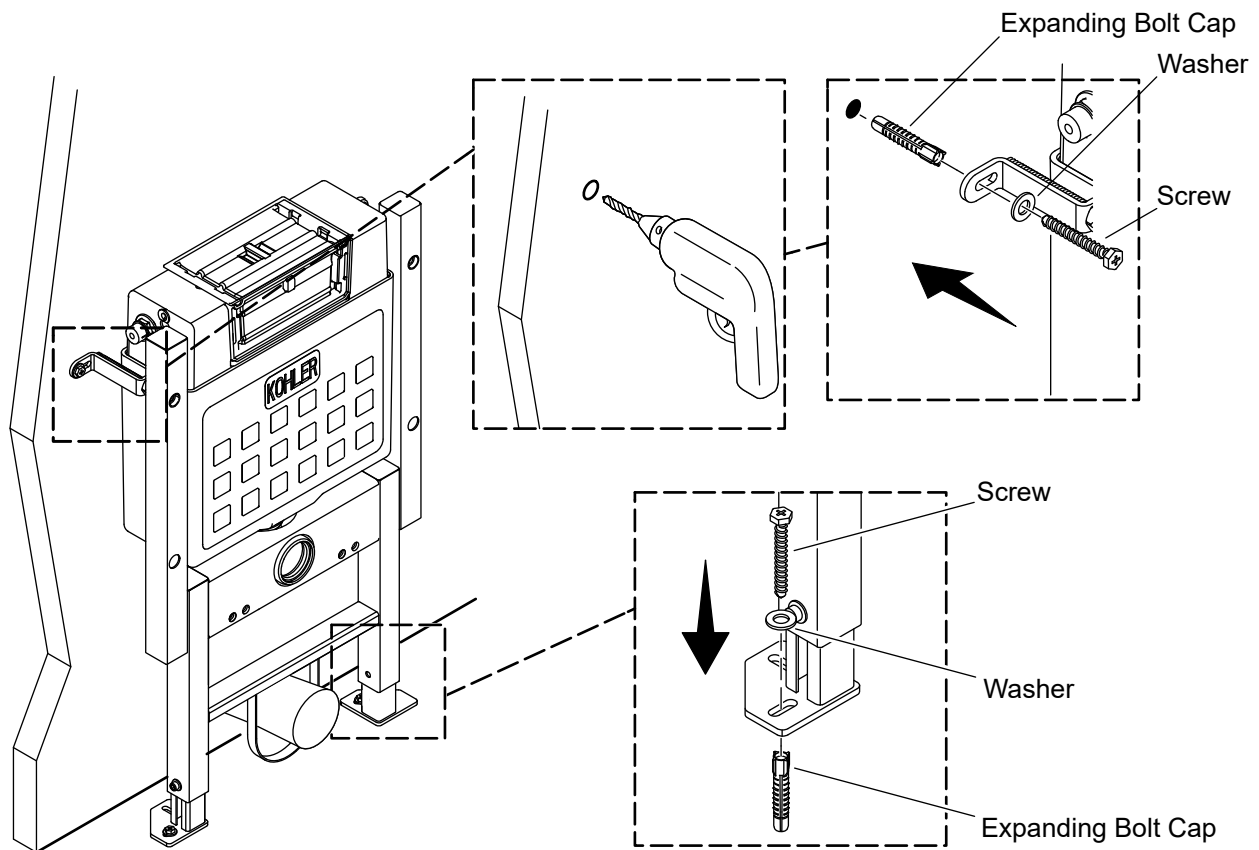
## 2. Position the In-Wall Tank Carrier



**NOTE:** For location points to secure the Z-connecting plate, both C1 and C2 location points are available for installation. Recommend to use C2 location point.

- Determine the height { $H2 + 10\text{-}1/16''$  (255 mm)} of the centerline of the drainage pipe to the centerline of the water inlet according to the mounting height of the toilet bowl. For details about H2, refer to the label on the frontside of the tank.
- Loosen the bolts using a 6 mm hex wrench to adjust the adjustable bracket to the correct height.
- Tighten the bolts to secure the adjustable bracket.
- Tighten the bolt, the screw cap, and the nut on the frame with an 8 mm hex wrench to secure the Z-connecting plate.

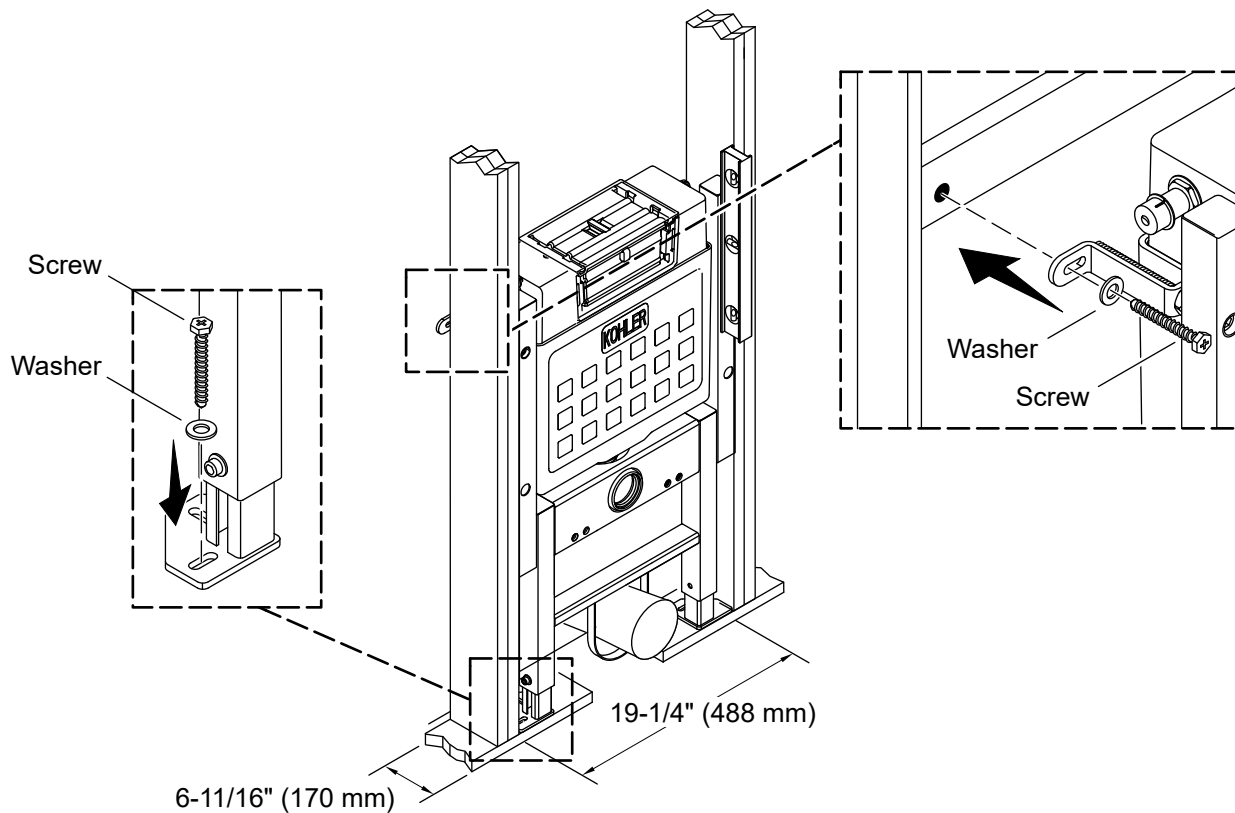
### 3. Install the Tank on the Wall



**NOTE:** Solid wall thickness should exceed 3-15/16" (100 mm).

- Align the tank on the wall and locate the installation holes according to the tank location.
- Mark the installation holes on the wall and floor.
- Drill four holes with an inner diameter of 12 mm and a depth of 65 mm as shown.
- Fill in the holes with expanding bolt caps.
- Tighten the screw and the washer to secure the tank.
- Verify that the tank is level and vertical.

## 4. Install the Tank on the Stud Pocket Cavity (Optional)

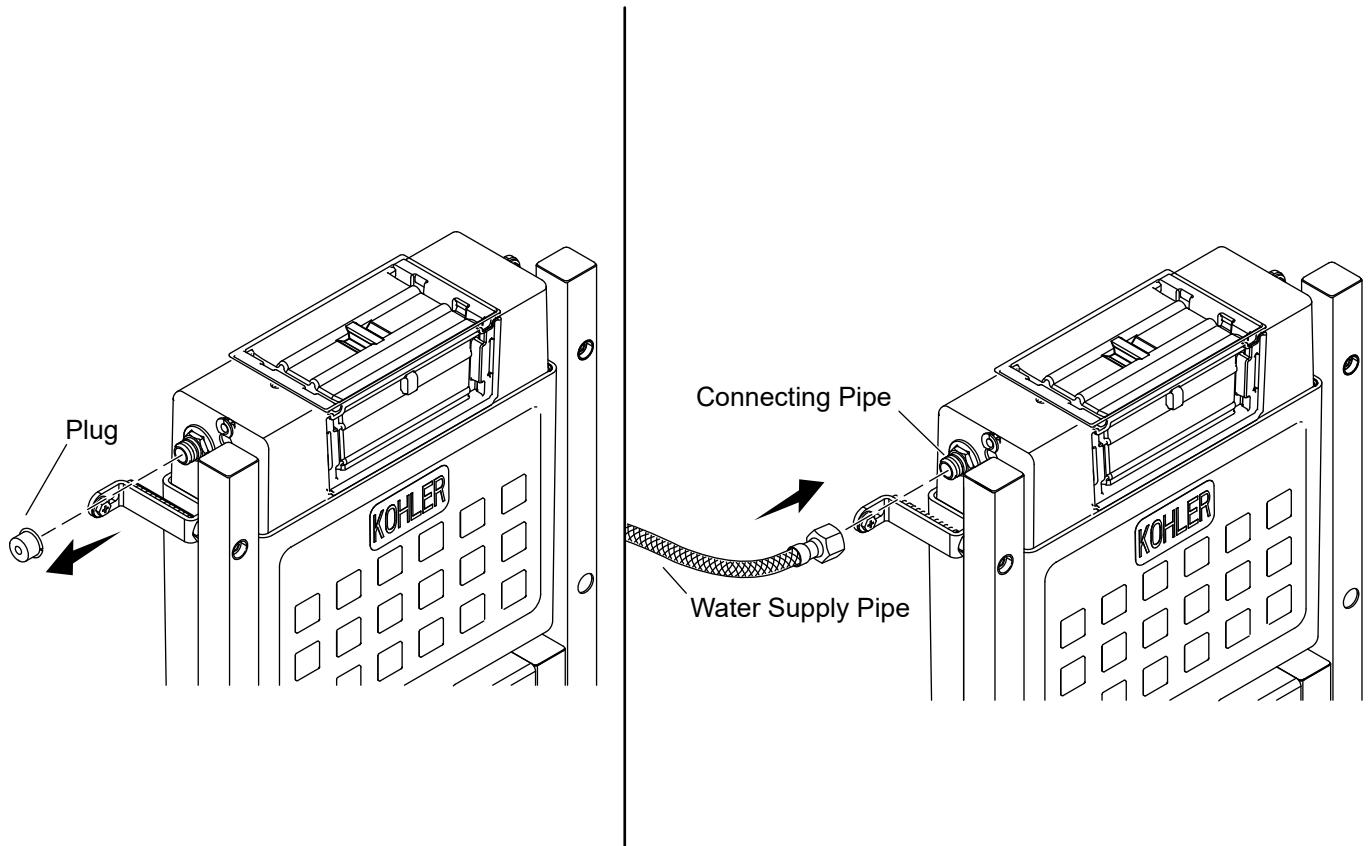


**NOTE:** The stud pocket cavity should be strong enough to support the tank and the toilet.

**NOTE:** When installing the tank on the stud pocket cavity, use M8 coach/tek screws.

- Align the tank on the stud pocket cavity as shown and locate the installation holes according to the tank location..
- Tighten the screw and the washer as shown to secure the tank.
- Verify that the tank is level and vertical.

## 5. Connect the Water Pipe



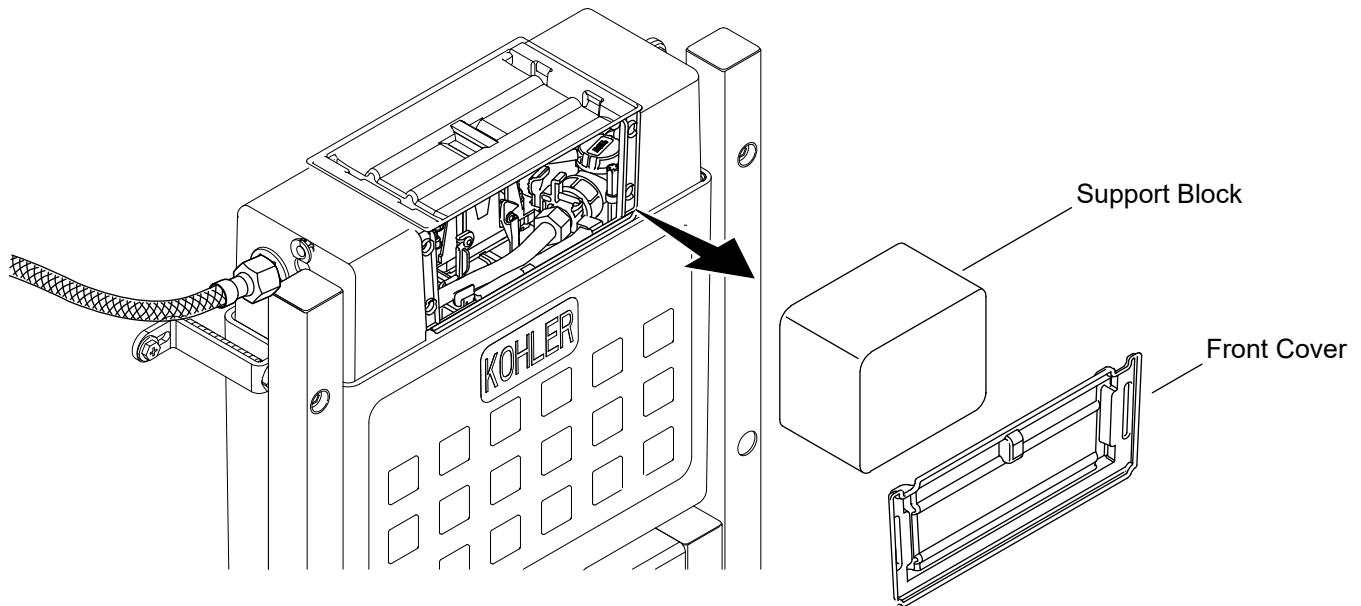
**NOTE:** Flush the water supply pipe. Verify that the pipe is clean with no residual sand stone or dirt inside.

**NOTE:** The G1/2 water supply pipe can be a flexible hose or a hard pipe.

**NOTE:** Close the stop valve after checking for leakage and open the valve before faceplate installation. Refer to the Homeowners Guide for instructions to close the stop valve.

- Remove the plug.
- Connect the connecting pipe to the water supply pipe.
- Check for leaks.

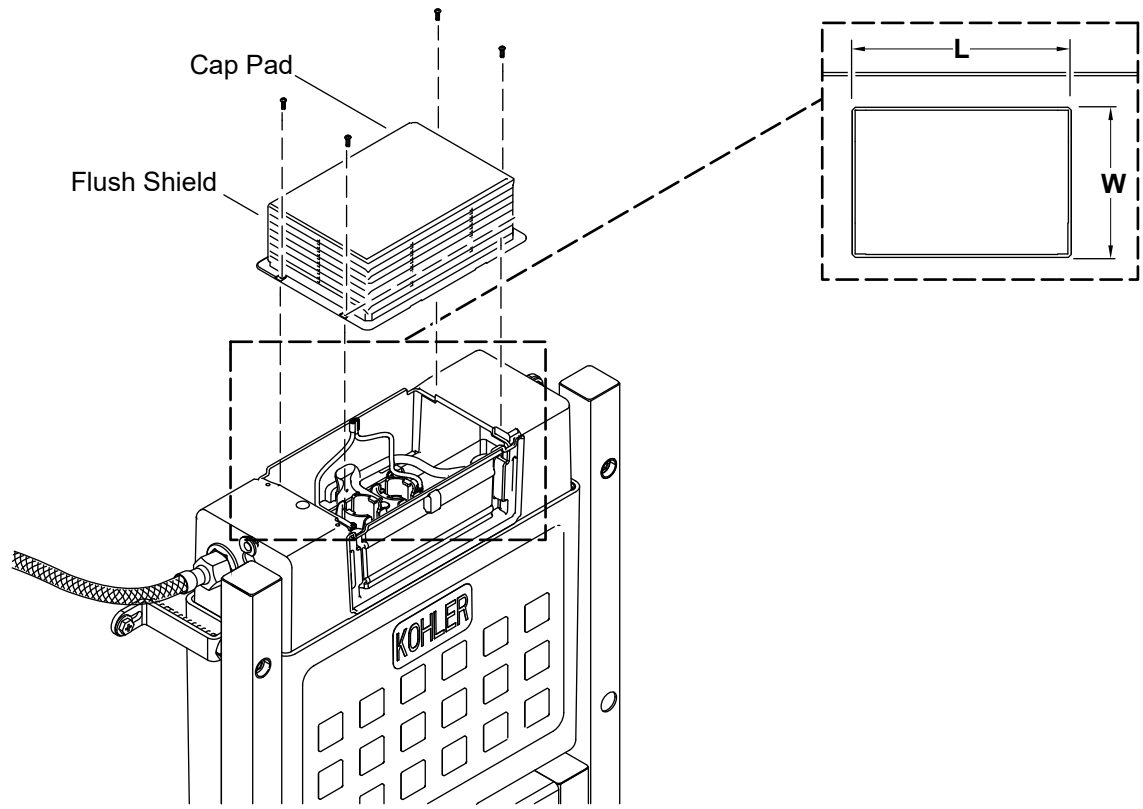
## 6. Preparation for In-wall Tank Access Panel



**NOTE:** Do not remove and discard the cover before installing the flush shield. The cover prevents dust and debris during construction from entering the water tank.

- Remove the cover and the support block as shown.
- Secure the cover onto the tank.
- Different types of faceplate are supported. More details can be found in the following sections.

## 7. Preparation for the Faceplate - Option 1



**NOTE:** Keep the flush shield and the cap pad onto the tank before faceplate installation.

### Preparation for installing the faceplate onto the top of the tank

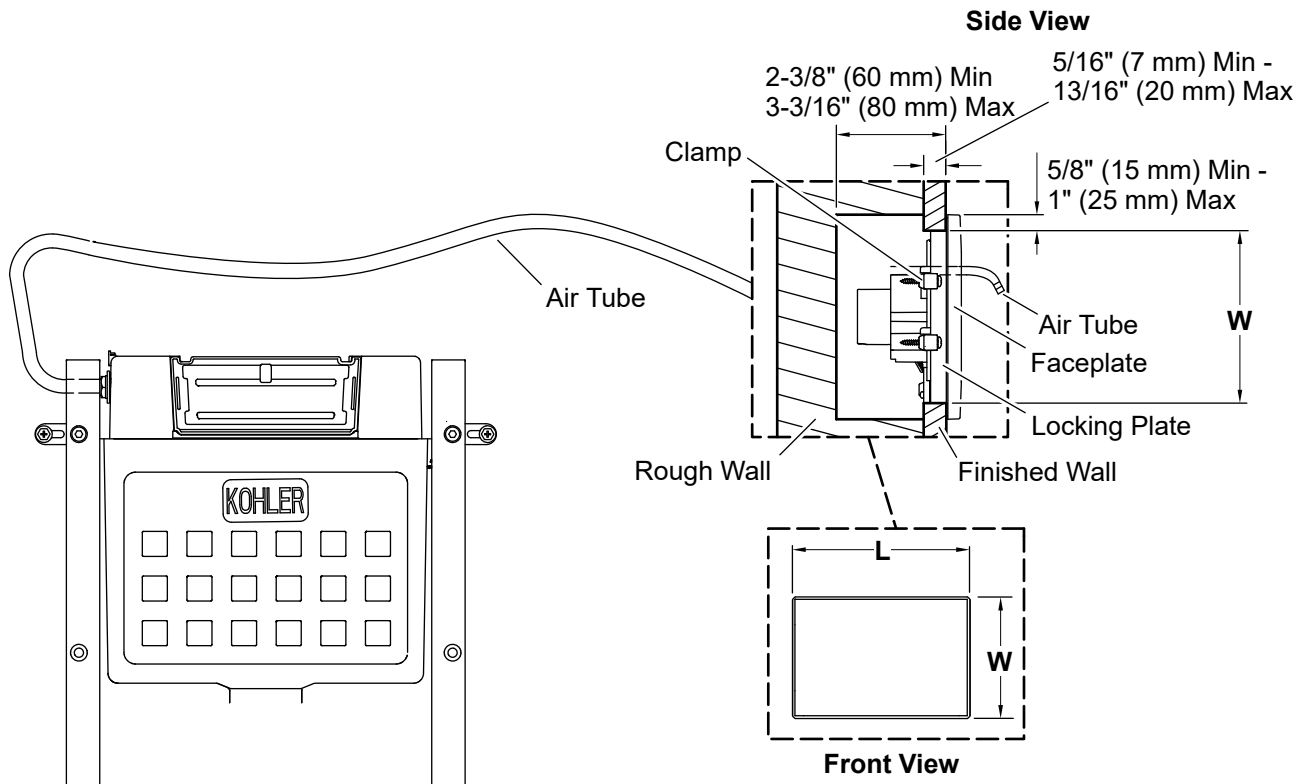
- Remove the cover.
- Install the flush shield.
- Tighten the screw to secure the flush shield.

### Recommended faceplates for Option 1:

**NOTE:** Choose the faceplate according to the dimension "L" (Length) and "W" (Width) of the flush shield of the tank.

- For flush shield in length 7-15/16" (201 mm) and width 5-3/8" (136 mm): choose Kohler pneumatic faceplate or sensor faceplate in size 8-7/8" (225 mm) x 6-5/16" (160 mm).

## 8. Preparation for Remote Faceplate Installation - Option 2



### Preparation for remote faceplate installation

**NOTE:** For remote installation, keep the access panel when installing the finished wall for the future maintainance.

**NOTE:** For faceplate installation on the frontside of the tank window, the faceplate installation window should not block the front opening of the tank window. Keep the faceplate installation window as the access panel when installing the finished wall.

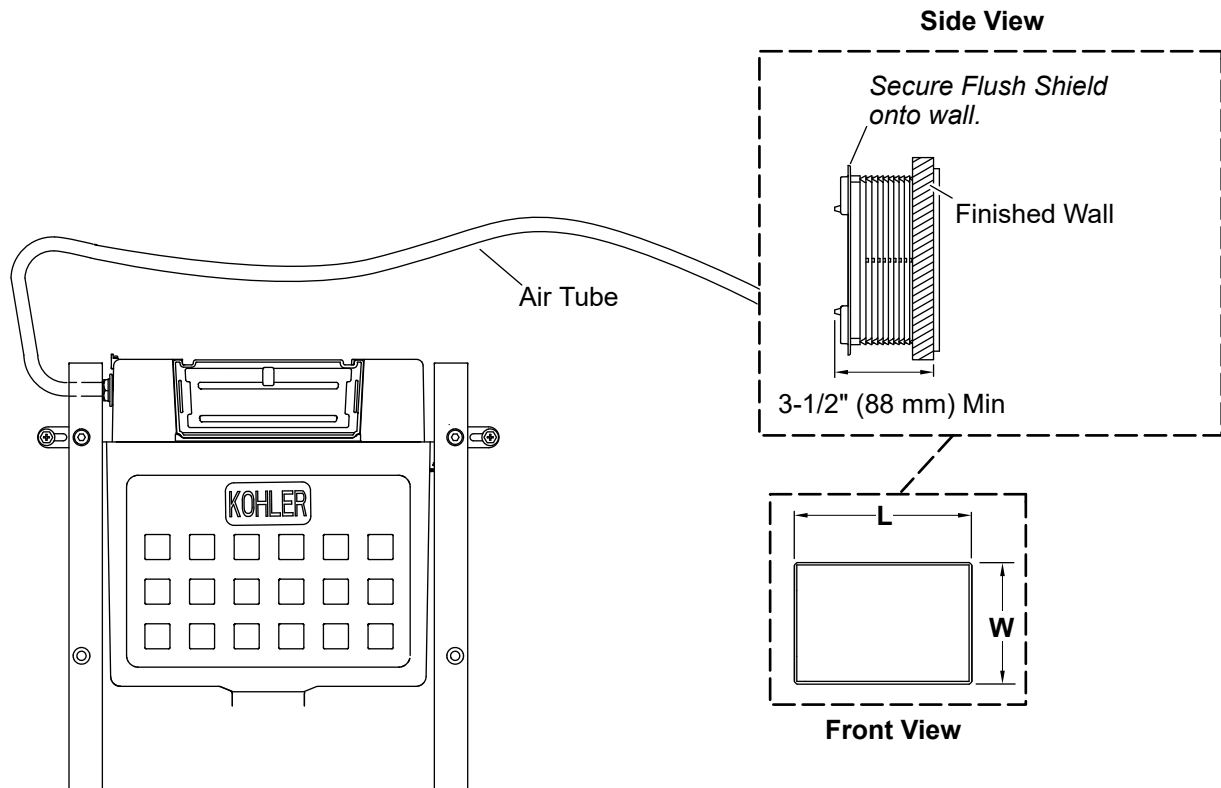
- Keep an air tube (not supplied) for the remote faceplate installation.
- Suggest to reserve 2-3/8" (60 mm) - 3-3/16" (80 mm) for the rough wall. Keep 5-16" (7 mm) - 13/16" (20 mm) for the finished Wall. Recommend to keep 5/8" (15 mm) - 1" (25 mm) for the installation of the clamp for the faceplate.

### Recommended faceplates for Option 2:

**NOTE:** Choose the faceplate according to the dimension "L" (Length) and "W" (Width) of the faceplate installation hole.

- For faceplate installation hole in length 7-15/16" (201 mm) and width 5-3/8" (136 mm): choose Kohler pneumatic faceplate in size 8-7/8" (225 mm) x 6-5/16" (160 mm).
- For faceplate installation hole in length 7-15/16" (201 mm) and width 4-13/16" (122 mm): choose Kohler pneumatic faceplate in size 8-7/8" (225 mm) x 5-7/16" (137.5 mm).
- For faceplate installation hole in length 7-1/2" (191 mm) and width 3-5/8" (91 mm): choose Kohler pneumatic faceplate in size 8-1/4" (210 mm) x 4-9/16" (115 mm).
- For faceplate installation hole in length 5-3/4" (146 mm) and width 1-5/8" (41 mm): choose Kohler pneumatic faceplate in size 6-1/8" (156 mm) x 2" (51 mm).

## 9. Preparation for Remote Faceplate Installation with a Flush Shield - Option 3



### Preparation for remote faceplate installation with a flush shield

**NOTE:** For remote installation, keep the access panel when installing the finished wall for the future maintainance.

**NOTE:** For faceplate installation on the frontside of the tank window, the faceplate installation window should not block the front opening of the tank window. Keep the faceplate installation window as the access panel when installing the finished wall.

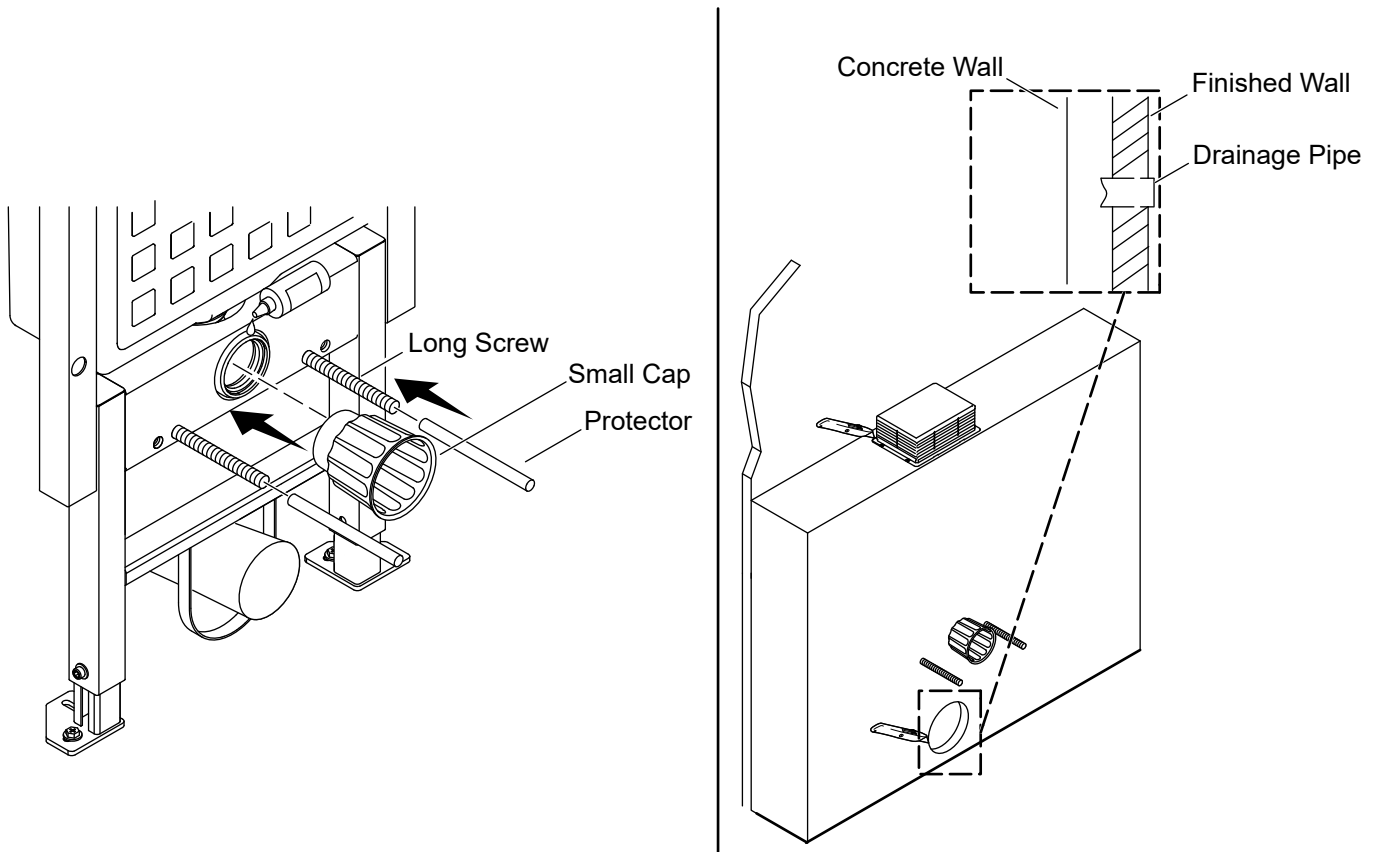
- Keep an air tube (not supplied) for the remote faceplate installation.
- Suggest to reserve 3-1/2" (88 mm) for the remote installation of the flush shield.

### Recommended faceplates for Option 3:

**NOTE:** Choose the faceplate according to the dimension "L" (Length) and "W" (Width) of the flush shield of the tank.

- For flush shield in length 7-15/16" (201 mm) and width 5-3/8" (136 mm): choose Kohler pneumatic faceplate in size 8-7/8" (225 mm) x 6-5/16" (160 mm).

## 10. Install the Finished Wall



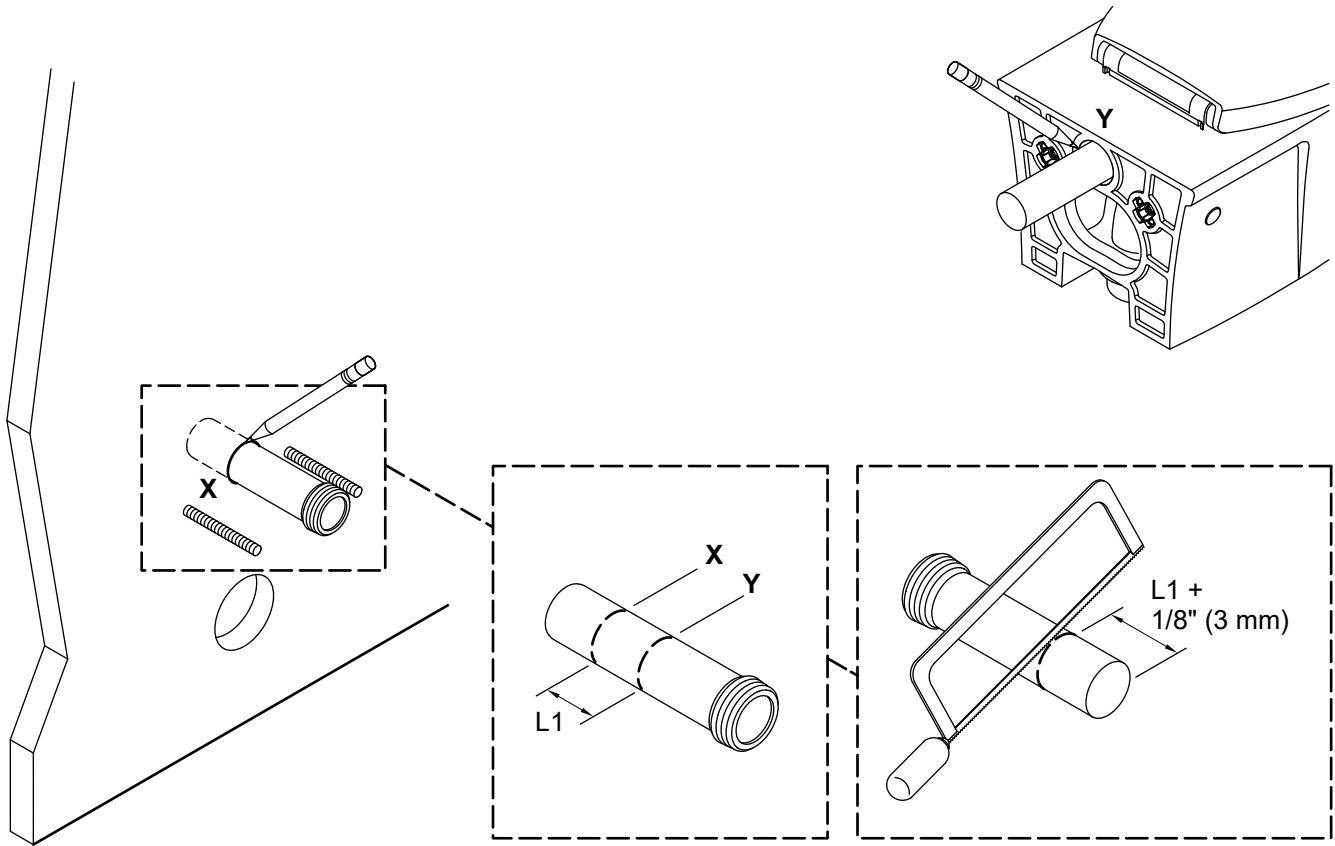
**IMPORTANT!** Install the drainage pipe (not supplied) into the drainage hole before installing the finished wall. Keep the drainage pipe installed at least 2-3/8" (60 mm) in depth. Verify that the drainage pipe is protruded from the wall for 3/16" (5 mm) at most.

**NOTE:** Recommend to have a cap to cover the drainage hole.

**NOTE:** Cover the flush shield with the cap pad before faceplate installation.

- Locate the holes of the tank bracket according to the label attached on the frontside of the tank.
- Thread the long screws into the holes of the tank bracket.
- Attach the protector for the long screws.
- Cover the inlet hole with the small cap.
- Install the finished wall. For wall thickness, refer to "Preparation for In-wall Tank Access Panel" related sections.
- When the finished wall is done, take out the big and small caps and cut the unwanted flush shield if there is a flush shield.
- Cut the drainage pipe to protrude less than 3/16" (5 mm) from the finished wall.
- Install the faceplate. Refer to the Installation Instruction for faceplate installation.

## 11. Preparation for Toilet Installation - Cutting Pipe



**NOTE:** Finish this step before toilet installation.

**NOTE:** Reinstall the cut inlet pipe into the corresponding pipes of the tank. Confirm that the overlap deviation between marks X and Y is less than 1/8" (3 mm).

- Install the inlet pipe onto the wall side and the bowl side.
- As shown, mark X, Y on the inlet pipe on both sides.
- Cut the unwanted part of the inlet pipe according to the marks of reserved length  $\{L1 + 1/8" (3 \text{ mm})\}$ .
- File the cut end of the inlet pipe until smooth.
- Reinstall the inlet pipe onto the wall side.
- Install the toilet bowl. Refer to the Installation Instruction for toilet installation.







[kohler.com.cn](http://kohler.com.cn)

THE BOLD LOOK  
OF **KOHLER**®

©2024 Kohler Co.



1570929-T2

1570929-T2-A