

# 安装说明

## 壁挂式座便器

记录您的型号：  
Record your model number: \_\_\_\_\_

English, page 9

**KOHLER®**

1587218-T2-C

## 感谢您选择科勒

---

需要帮助？请联系我们的客户服务中心。

- 中国大陆：+(86) 800-820-2628, +(86) 400-820-2628
- 保养和清洁：[kohler.com.cn/support/care-and-cleaning/](http://kohler.com.cn/support/care-and-cleaning/)

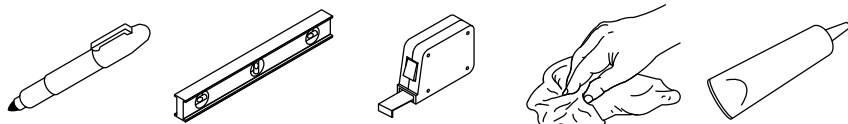
## 质保

---

本产品<sup>®</sup>在科勒<sup>®</sup>卫浴产品的3年有效质保范围内，详见所附的《合格证》。

## 工具和材料

---



密封硅胶


## 产品信息


维亚五级旋风挂墙式座便器不带盖板(海德丽 110 气动水箱, 4.0/6.0 升)	K-33175T-NS-0
维亚五级旋风挂墙式加长型缸体 4.0/6.0 升	K-33198T-0
海德丽 110 气动入墙式隐藏水箱, 4.0/6.0 升(维亚五级旋风挂墙)	K-33188T-VL-NA
维亚五级旋风挂墙式座便器(适配 C3 智能盖板组合版, 海德丽 110H 气动水箱)	K-33175T-NSHC-0
维亚五级旋风挂墙式加长型缸体 4.0/6.0 升(组合版)	K-33198T-HC-0
海德丽 110H 气动入墙式隐藏水箱, 4.0/6.0 升(维亚五级旋风挂墙组合版)	K-33188T-VLWP-NA
维亚五级旋风挂墙式座便器不带盖板(海德丽 201 气动水箱, 4.0/6.0 升)	K-33204T-NS-0
维亚五级旋风挂墙式加长型缸体 4.0/6.0 升	K-33198T-0
海德丽 201 气动入墙式隐藏水箱, 4.0/6.0 升(维亚五级旋风挂墙)	K-33189T-VL-NA
维亚五级旋风挂墙式座便器(适配 C3 智能盖板组合版, 海德丽 201H 气动水箱)	K-33204T-NSHC-0
维亚五级旋风挂墙式加长型缸体 4.0/6.0 升(组合版)	K-33198T-HC-0
海德丽 201H 气动入墙式隐藏水箱 4.0/6.0 升(维亚五级旋风挂墙组合版)	K-33189T-VLWP-NA

## 安装前

---

安装前请阅读所有说明

 **小心：** 产品存在受损风险。请勿将螺母和螺栓拧得过紧。过度拧紧可能会损坏陶瓷。

 **小心：** 产品存在受损风险。请勿用力撞击陶瓷座便器。用力撞击陶瓷座便器可能会损坏座便器或导致座便器漏水。

**注：** 请不要采用非科勒公司提供的零件。因使用非科勒公司提供的零件安装而导致产品损坏，科勒公司恕不负责。

请遵守当地管路安装及建筑条例。

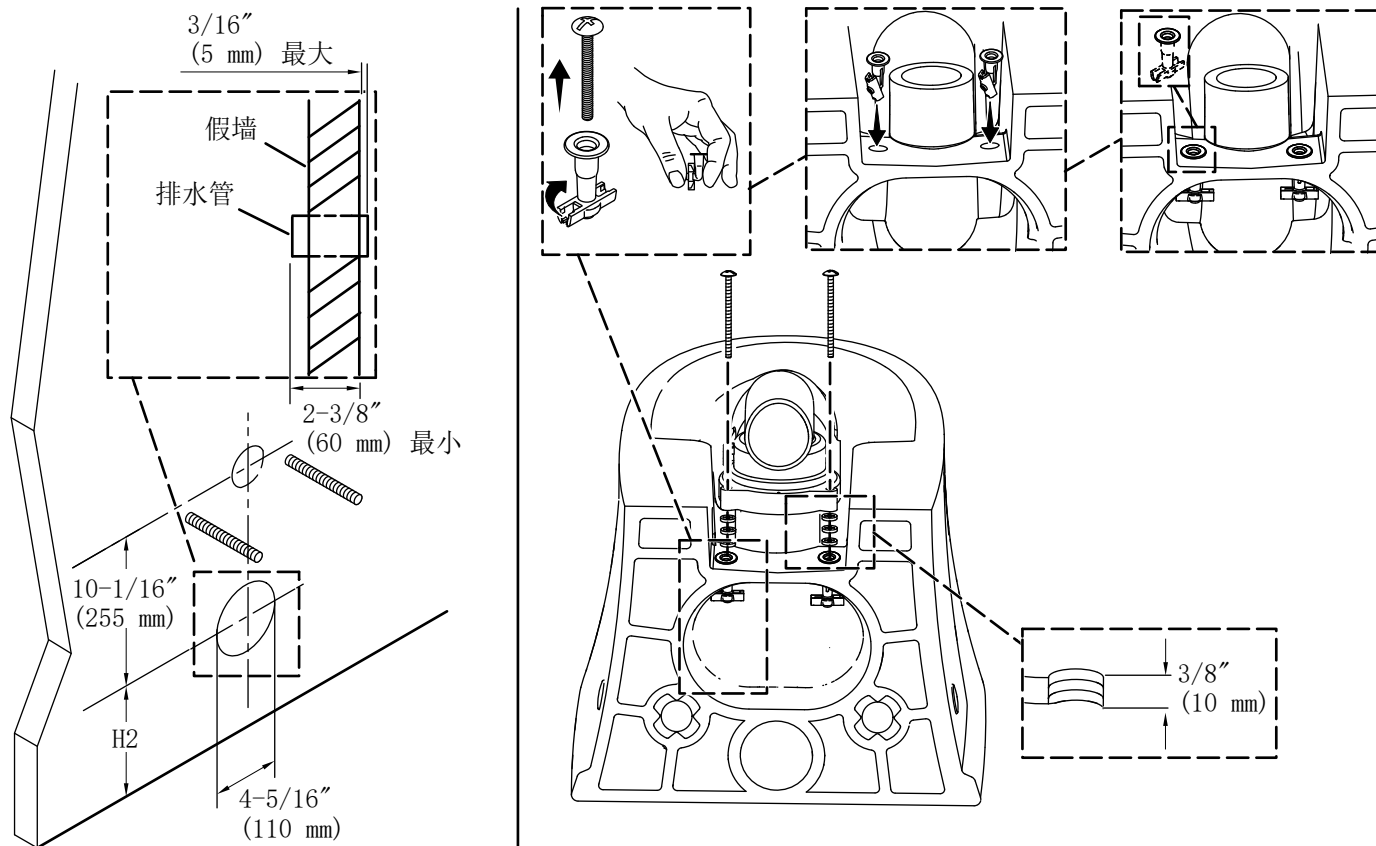
关闭供水系统。

请仔细检查产品是否有损坏迹象。

建议使用符合 CJ/T250-2018 要求的高密度聚乙烯 (HDPE) 排水管，或符合 GB/T 5836.2-2018 要求的聚氯乙烯 (PVC) 排水管。

本产品符合 Q/KCI-006-2018 和 GB25502-2017 要求。水效等级 2。

## 1. 准备安装



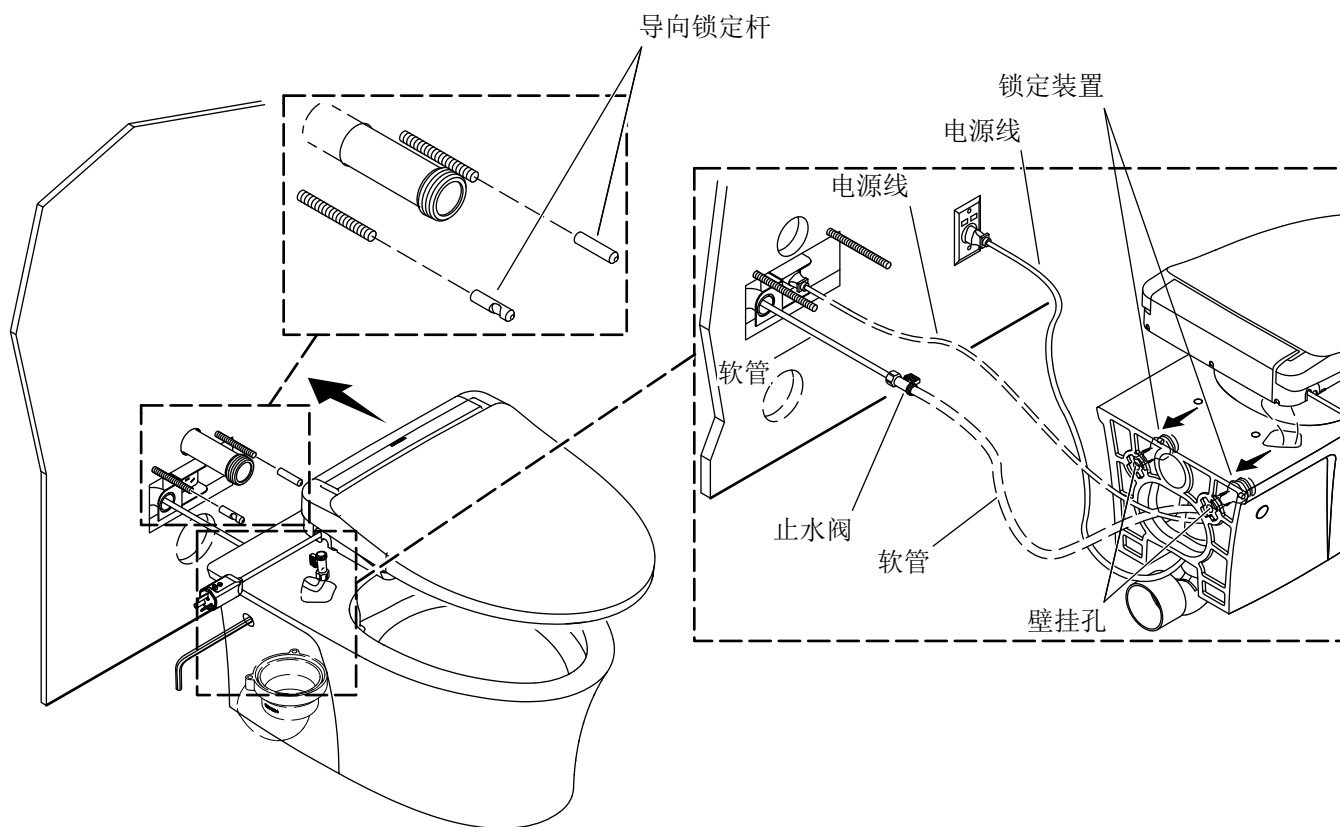
**重要信息!** 确认排水管口（直径 110 mm）位于完工地面上方 3-15/16" (100 mm)处。长螺杆和进水管均已安装在完工墙面上（水箱完成安装后）。

**重要信息!** 请确保固定排水管道，排水管探入假墙内深度至少为 2-3/8" (60 mm)。排水管突出假墙面最多 3/16" (5 mm)。

**重要信息!** 根据座便器所需安装高度，增加或移除垫圈。三个垫圈的高度为 3/8" (10 mm)。

- 测量排水管口（中心线）距离完工地面的高度 (H2)，进水口（中心线）和排水管口（中心线）之间的高度为 10-1/16" (255 mm)。
- 将座便器翻转过来，以便于安装。
- 拧下螺钉并折叠锚钉两侧。
- 将锚钉推入孔中。
- 确认锚钉在安装后已完全展开。
- 将座便器的排污管孔与排污管对齐。
- 拧紧螺钉、垫圈和锚钉以固定排污管。

## 2. 安装座便器（适用于带隐藏式管线的座便器）



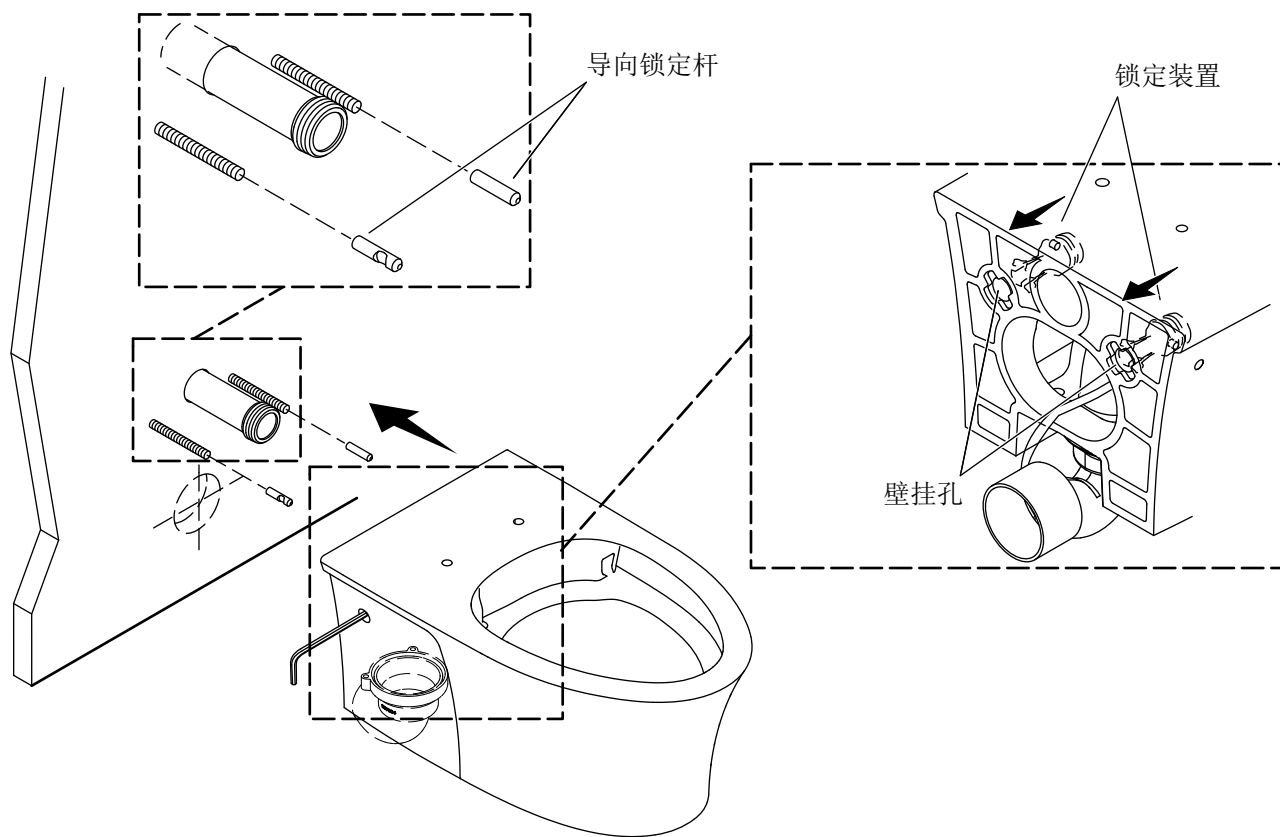
**重要信息!** 本节仅适用于带隐藏式管线的座便器。

**重要信息!** 安装座便器前请先安装智能便盖。务必将智能便盖的软管和电源线穿过座便器，从后侧孔引出。

**重要信息!** 建议将智能便盖的电源线插入墙面上的外部电源插座。如果将智能便盖电源线插入水箱内的电源插座，在更换新智能便盖时，需要卸下座便器。

- 将锁定装置从内侧插入壁挂孔中。
- 确认锁定装置侧面的孔与座便器的侧孔正确对齐。
- 将智能便盖的软管和电源线穿过座便器，从后侧孔引出。
- 将导向锁定杆旋到长螺杆上，如图所示确保导向锁定杆两侧孔位朝向外侧。
- 安装智能便盖。请参考便盖《安装指南》。
- 连接智能便盖软管与止水阀。
- 将智能便盖的电源线插入水箱内电源插座或墙面上的外部电源插座。
- 将壁挂孔与长螺杆对齐，悬挂座便器。
- 将进水管插入进水口。
- 将排污管插入排水口。
- 使用提供的 6 mm 六角扳手拧紧座便器两侧孔位之中的螺母，固定座便器两侧。

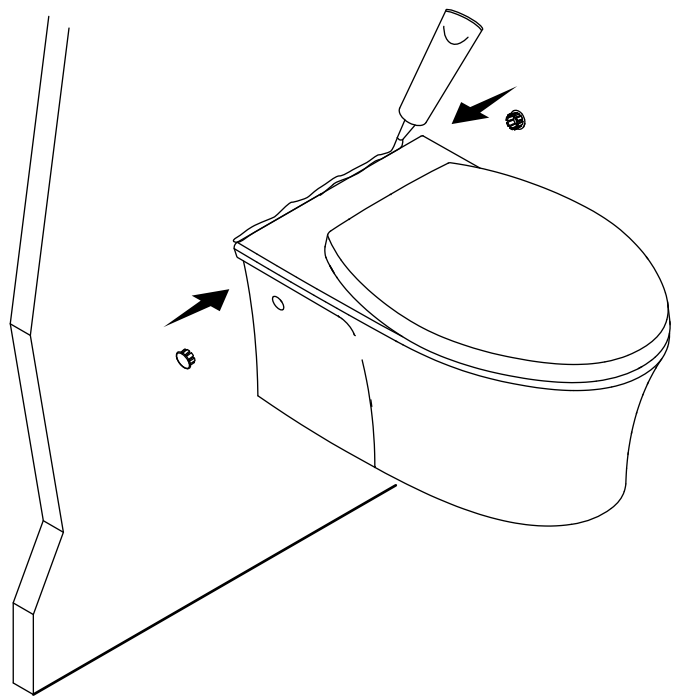
### 3. 安装座便器



- 将锁定装置从内侧插入壁挂孔中。
- 确认锁定装置侧面的孔与座便器的侧孔正确对齐。
- 将导向锁定杆旋到长螺杆上，如图所示确保导向锁定杆两侧孔位朝向外侧。
- 将壁挂孔与长螺杆对齐，悬挂座便器。
- 将进水管插入进水口。
- 将排污管插入排水管口。
- 使用提供的 6 mm 六角扳手拧紧座便器两侧孔位之中的螺母，固定座便器两侧。
- 根据需要安装便盖。请参考便盖《安装指南》。

## 4. 完成安装

---



- 打开水箱内的止水阀，以测试冲洗座便器。
- 安装座便器两侧装饰盖。
- 在座便器的边缘涂上密封硅胶。

# Installation Instructions

## Wall-hung Toilet

### Thank You for Choosing KOHLER

---

Need help? Contact our Customer Care Center.

- Mainland China: +(86) 800-820-2628, +(86) 400-820-2628
- Care and cleaning: [kohler.com.cn/support/care-and-cleaning/](http://kohler.com.cn/support/care-and-cleaning/)

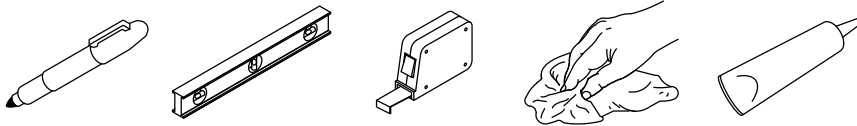
### Warranty

---

This product is covered under the **Three-Year Limited Warranty for KOHLER® Plumbing Products**, found in the packed Compliance Certification.

### Tools and Materials

---



Silicone Sealant



## Product Information

<b>VEIL WH TOILET W/O ST (HT110 P, 4.0/6.0L)</b>	<b>K-33175T-NS-0</b>
VEIL WH BOWL 4.0/6.0L W/O ST	K-33198T-0
HT110 PNE IWT W/F 4.0/6.0L(VEIL WH)	K-33188T-VL-NA
<b>VEIL WH TOILET HC W/O ST (HT110H P)</b>	<b>K-33175T-NSHC-0</b>
VEIL WH BOWL HC 4.0/6.0L W/O ST	K-33198T-HC-0
HT110H IWT HC W/F 4.0/6.0L(VEIL WH HC)	K-33188T-VLWP-NA
<b>VEIL WH TOILET W/O ST (HT201 P, 4.0/6.0L)</b>	<b>K-33204T-NS-0</b>
VEIL WH BOWL 4.0/6.0L W/O ST	K-33198T-0
HT201 PNE IWT W/F 4.0/6.0L(VEIL WH)	K-33189T-VL-NA
<b>VEIL WH TOILET HC W/O ST (HT201H P)</b>	<b>K-33204T-NSHC-0</b>
VEIL WH BOWL HC 4.0/6.0L W/O ST	K-33198T-HC-0
HT201H IWT HC W/F 4.0/6.0L(VEIL WH HC)	K-33189T-VLWP-NA

## Before you Begin

---

### READ ALL INSTRUCTIONS BEFORE INSTALLATION

-  **CAUTION: Risk of product damage.** Do not overtighten the nuts and bolts. Overtightening may damage the vitreous china.
-  **CAUTION: Risk of product damage.** Do not forcefully bump the vitreous china. Forcefully bumping the vitreous china could cause damage to the toilet or cause the toilet to leak.

**NOTE:** Install components that are provided by Kohler Co. Kohler Co. will not be responsible for any damage related to installation with components not provided by Kohler Co.

Follow all local plumbing and building codes.

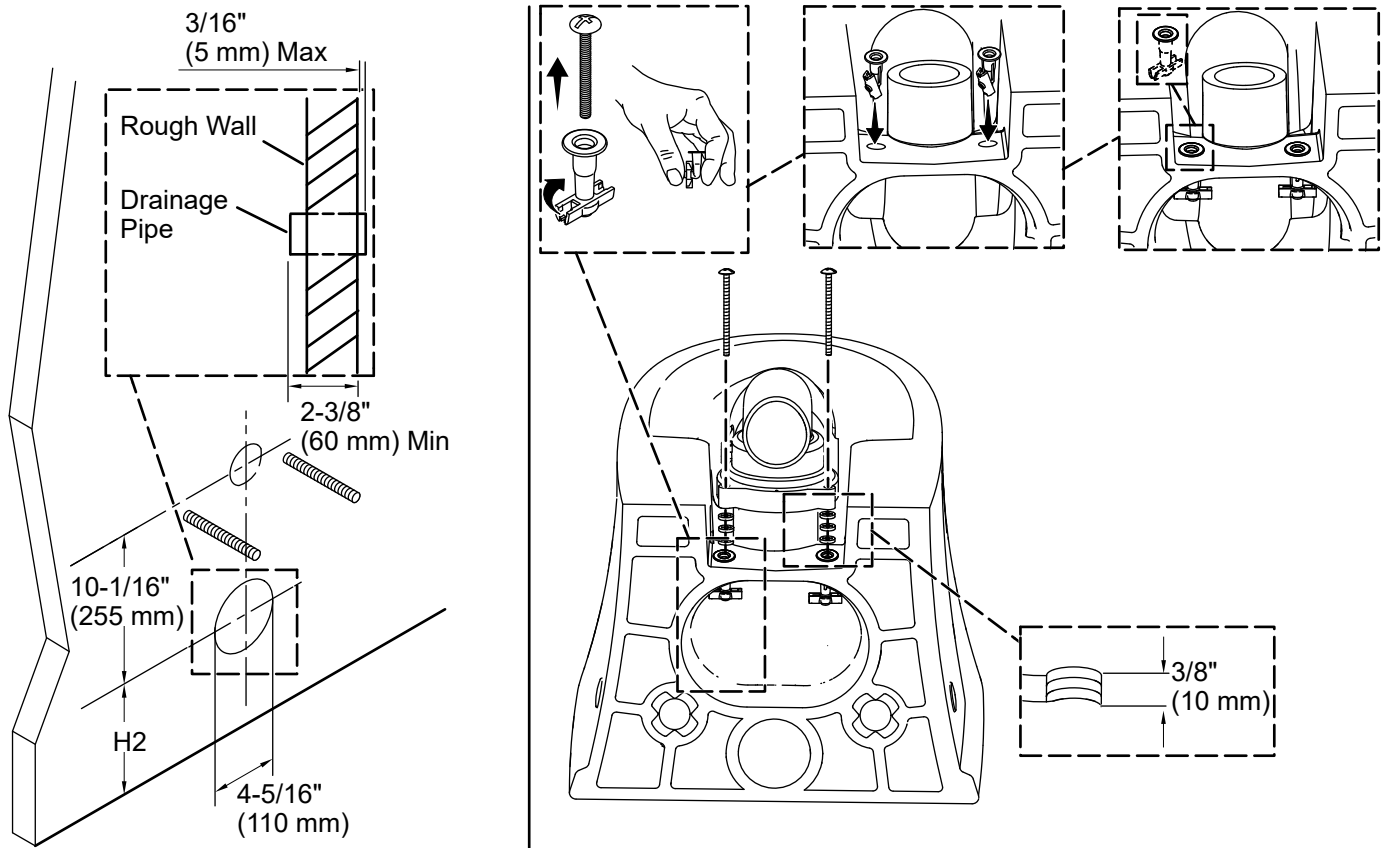
Turn OFF the water supply.

Carefully inspect the new fixture for any signs of damage.

Recommend to use high-density polyethylene (HDPE) drainage pipe that complies with CJ/T250-2018 or Polyvinyl Chloride (PVC) drainage pipe that complies with GB/T 5836.2-2018.

This product complies with Q/KCI-006-2018 and GB25502-2017. Water Efficiency Grade 2.

# 1. Prepare for Installation



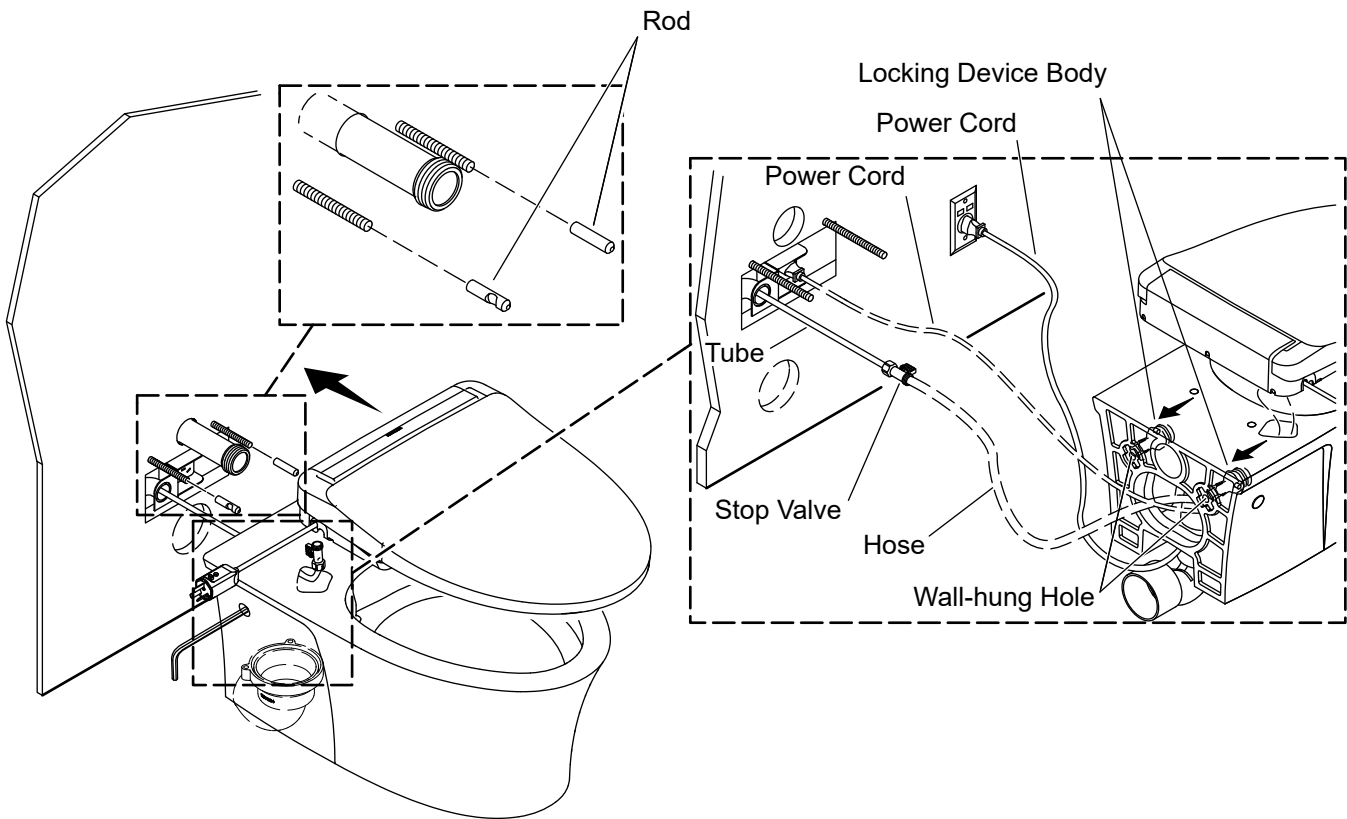
**IMPORTANT!** Verify that the drainage pipe hole (DN 110 mm) is  $3-15/16"$  (100 mm) above the finished floor. The screws and the inlet pipe are installed on the wall.

**IMPORTANT!** A drainage pipe needs to be installed into the drainage hole with a depth at least  $2-3/8"$  (60 mm). Verify that the drainage pipe is protruded from the rough wall for  $3/16"$  (5 mm) at most.

**IMPORTANT!** Add or remove the washer as needed to fit the desired height for the bowl installation. Three washers are  $3/8"$  (10 mm) in height.

- Measure the height of the drainage pipe (H2) and the height between the water inlet and the drainage pipe is  $10-1/16"$  (255 mm).
- Turn over the toilet bowl for easy installation,
- Unthread the screw and fold the anchor.
- Push the anchor into the hole.
- Verify that the anchor unfolds completely when installed.
- Align the waste pipe hole of the bowl with the waste pipe.
- Tighten the screw, the washer, and the anchor to secure the waste pipe.

## 2. Install the Bowl (For Bowl with a Hidden Cord)



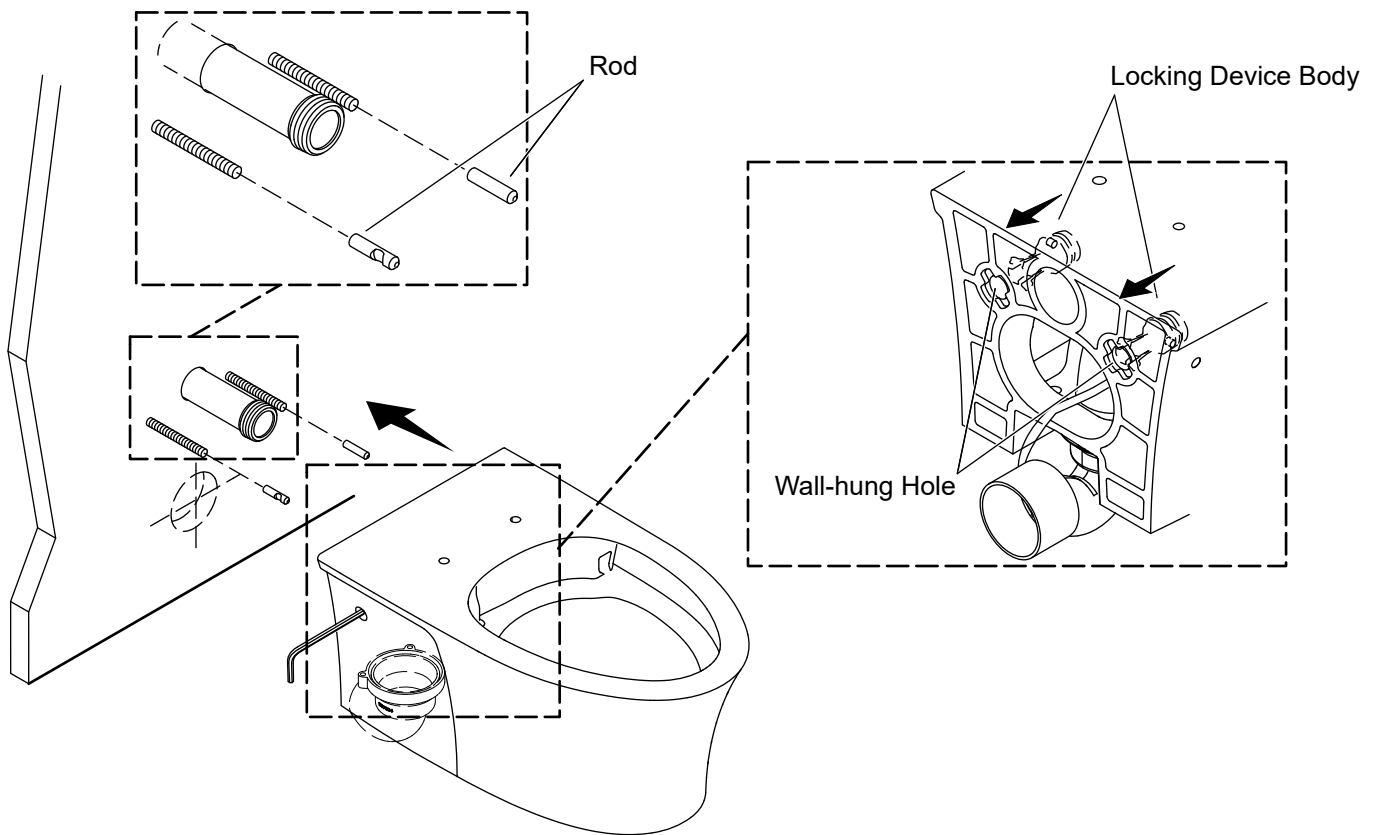
**IMPORTANT!** This section is only applicable to the bowl with a hidden cord.

**IMPORTANT!** Install the bidet seat before hanging the toilet bowl onto the wall. Route the hose and the power cord of the bidet seat from the middle hole of the toilet bowl.

**IMPORTANT!** Recommend to connect the power cord of the bidet seat to the electrical outlet on the wall. If the power cord of the bidet seat is connected to the electrical outlet in the tank, the bowl needs to be uninstalled if a new bidet seat is to be replaced.

- Insert the locking device body into the wall-hung hole from inside.
- Verify that the hole at the side of the locking device body is correctly aligned with the side hole of the toilet bowl.
- Route the hose and the power cord of the bidet seat from the middle hole of the toilet bowl.
- Thread the rod onto the supporting screw on the wall.
- Install the bidet seat. Refer to Installation Instruction for seat installation.
- Connect the hose of the bidet seat to the tube.
- Connect the power cord of the bidet seat to the electrical outlet in the tank or on the wall.
- Hang the toilet bowl by aligning the wall-hung hole with the supporting screws.
- Insert the inlet pipe into the inlet hole.
- Insert the waste pipe into the drainage hole.
- Tighten the nuts using the provided 6 mm hex wrench to secure the bowl on both sides.

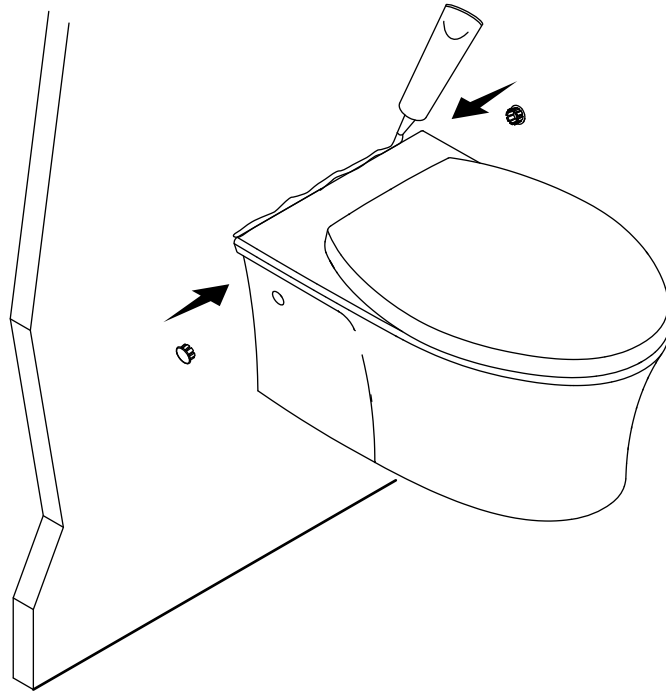
### 3. Install the Bowl



- Insert the locking device body into the wall-hung hole from inside.
- Verify that the hole at the side of the locking device body is correctly aligned with the side hole of the toilet bowl.
- Thread the rod onto the supporting screw on the wall.
- Hang the toilet bowl by aligning the wall-hung hole with the supporting screws.
- Insert the inlet pipe into the inlet hole.
- Insert the waste pipe into the drainage hole.
- Tighten the nuts using the provided 6 mm hex wrench to secure the bowl on both sides.
- Install the seat as needed. Refer to Installation Instruction for seat installation.

## 4. Complete the Installation

---



- Open the stop valve in the tank to test flush the toilet bowl.
- Install the cover on both sides of the toilet bowl.
- Apply silicone sealant at the edge of the toilet bowl.

[kohler.com](https://www.kohler.com)

THE BOLD LOOK  
OF **KOHLER**®

©2024 Kohler Co.



1587218-T2

1587218-T2-C