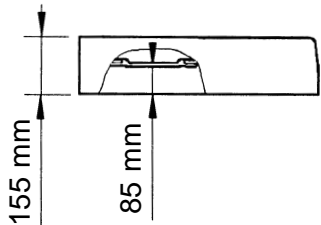
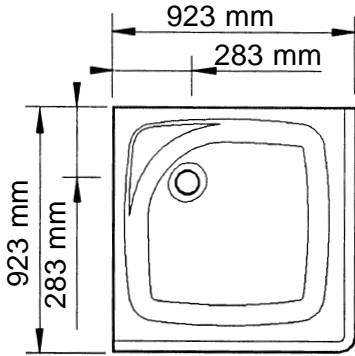
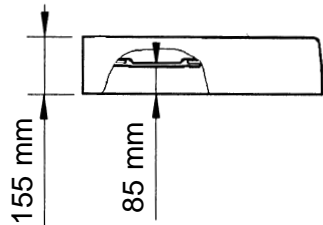
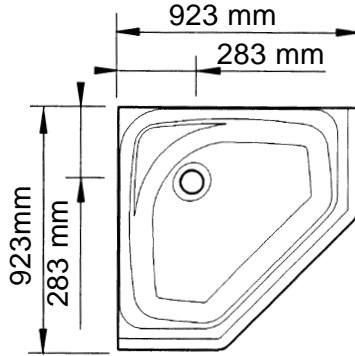


BEFORE YOU BEGIN

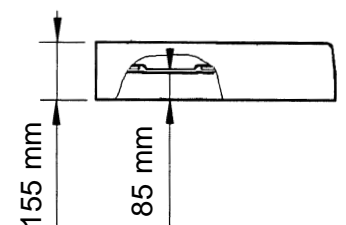
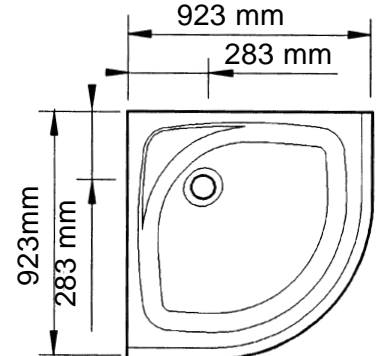
安装前注意事项



SQUARE CORNER RECEPTOR
方型淋浴盆



ANGLE CORNER RECEPTOR
钻石型淋浴盆



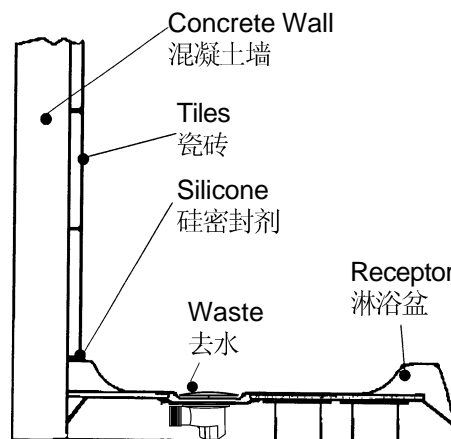
ROUND CORNER RECEPTOR
圆弧型淋浴盆

Ensure Receptor is installed on a flat, level surface, free of any bumps or protrusion.

If the floor is not level a weak cement (approx. 10:1) can be used to level the receptor as it is finally installed.

Ensure receptor is well supported.

Channels and chases created for plumbing connections must be completely backfilled before installation.



Support feet must be fully supported.
支撑脚必须得到充分支撑。

淋浴间底盆必须在平整、无隆起的地面上安装。

如果遇到不平地面，可以用较稀的水泥浆（约 10 : 1），将底盆放上以确保水平。

底座应得到良好支撑。

在安装前必须确定落水管位置。

RECEPTOR INSTALLATION

淋浴盆安装

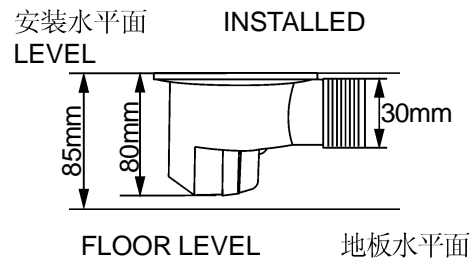
1. Prepare tray.

Peel back protective film from back edges of Receptor.

1. 准备底盆。

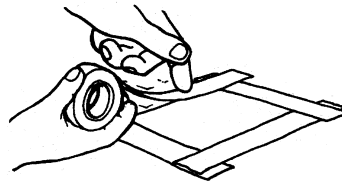
从底盆背面边缘撕去保护薄膜。

2. Prepare for Waste outlet. Ensure that the Waste outlet is prefitted at the centre of the waste outlet hole in the Receptor.



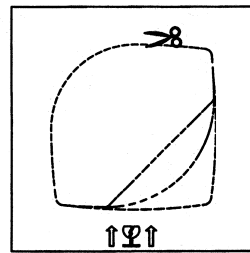
2. 准备去水的出口管道。去水的出口管道必须预先安装在底盆的去水出口管道孔中央。

3. During Receptor and Door installation, it is recommended that the Waste be taped over to avoid any debris getting in the pipe work or loss of any components.



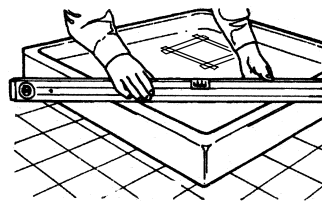
3. 在安装淋浴盆和淋浴门的过程中，建议用胶布把去水口封住，以免碎屑掉进管子或零部件丢失。

From the back of the Receptor box cut shape that matches Receptor to be installed. Place shape inside Receptor for protection during installation.



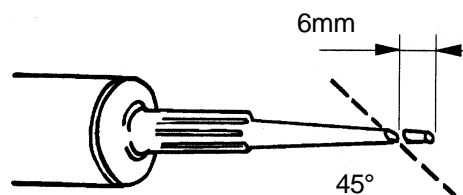
在底盆包装盒背面剪下与所安装的底盆形状一样的纸样。把硬纸板纸样放进底盆，以便在安装过程中起到保护作用。

4. Position Receptor LEVEL on floor and against wall. Refer to diagrams and information on the first page.



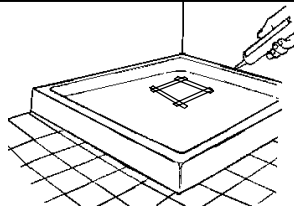
4. 将底盆靠墙水平安放在地板上。请参阅第一页上的示意图和资料。

5. Prepare Silicone tube. Cut the top off the Silicone tube at the first notch or as shown picture.



5. 准备硅密封剂注射筒。在第一个刻痕处或图示之处将硅密封剂注射筒的顶端削去。

6. Apply a bead of Silicone sealant to full length at the top and sides of Receptor to seal the joint between wall and Receptor.



6.在底盆顶端和各边均涂上一长条硅密封胶，以封住墙壁和底盆之间的连接处。

7. Install Shower Doors. Follow the instructions supplied with the Door pack.

7.按照淋浴门的安装说明安装淋浴门。

CLEAN-UP AFTER INSTALLATION

安装后的清理

When cleaning-up after installation,do not use abrasive cleaners as they may scratch and dull the surface. Use warm water and liquid, non abrasive detergent to clean the surface.

在安装后进行清洗时，请勿使用磨损性清洁剂，因为它们会产生刮痕，使表面暗淡无光。请用温水和无磨损作用的液体清洁剂清洗表面。

Stubborn stains, paint or tar can be removed with white spirit. Do not use cleaners containig petroleum distilates.

不易去除的污渍、油漆或沥青可以用白酒（White Spirit）除去。不要使用含有汽油溶剂的清洁剂。

Plaster can be removed by scraping with a soft wood edge. Do not use metal scrapers. wire brushes, or other metal tools.

灰泥可用软的木片薄缘刮去。不要使用金属刮刀、钢丝刷或其他金属工具。

CLEANING & MAINTENANCE INSTRUCTIONS

清洗与保养说明

- Use non abrasive soap and water when possible.
- Avoid harsh chemicals and disinfectants.
- Do not use acetone or alcohol.
- Do not use solvent based cleaners.
- Always read the label instructions on any cleaning product before applying it to an acrylic surface.
- Wipe out the receptor after each use to prevent a build-up of soap and scum.

- 尽可能使用无磨损作用的肥皂和清水。
- 避免使用腐蚀性强的化学制剂或消毒剂。
- 不要使用丙酮或酒精。
- 不要使用以溶剂为主的清洁剂
- 在丙烯酸（压克力）表面使用清洁剂之前，一定要仔细阅读清洁剂使用说明。
- 每次使用后，将本装置擦干，以防止肥皂和污垢沉积。