

安装说明

照明镜柜

记录您的型号：
Record your model number: _____

English, page

KOHLER®

Thank You for Choosing KOHLER

需要帮助？请联系我们的客户服务中心。






- 中国大陆：+(86) 800-820-2628, +(86) 400-820-2628

质保

本产品支持科勒®厨卫产品三年有限质保，详见包装所附的《合格证》。

重要安全说明

在安装或使用本产品之前阅读所有说明。

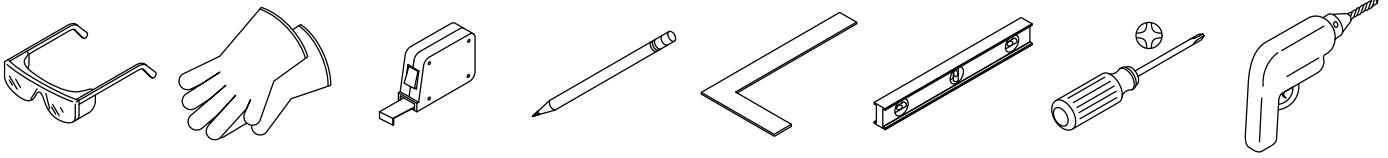
-  **警告：** 使用电气产品时，务必始终遵守基本注意事项，包括：
-  **警告：** 存在触电风险。仅连接到受漏电保护器 (RCD) 保护的已妥善接地的专用电路。请使用 220 - 240 V、50-60 Hz、15 A 电路。请勿拆下接地引脚或使用接地接头。
-  **警告：** 存在触电风险。产品布线均须由资质合格的电工操作。安装不当会造成电气危害，也可能违背地方建筑和电气规范。
-  **警告：** 存在触电风险。维修前先断开电源。
-  **小心：** 存在触电风险。可能需要迁移电气布线的位置。

请遵守当地管道安装、建筑及电气条例。

本产品符合 GB24977-2010。


保存说明书


工具和材料




6 毫米钻头

开始之前

 **小心：存在人身伤害的风险。**本产品很重。在提升和移动产品时应有人帮助。

 **小心：请提防产品或财产受损风险。**柜子的位置至关重要。确认没有障碍物挡住门（例如水龙头或灯具）。确认在切割和/或钻孔过程中不会损坏完工墙后面的任何障碍物。

 **小心：请提防财产损坏的风险。**玻璃层板的最大负载：12.1 磅（5.5 公斤）。

 **小心：请提防财产损坏的风险。**小件置物架最大负载：每层 3.3 磅（1.5 公斤）。

重要信息! 重新布置相关的电线或水管。如果遇到排水管或通风管，或者承重墙，请先咨询专业人士再继续操作。

注意： 存在产品损坏的风险。在拆卸或重新安装过程中，请勿仅用一个铰链支撑柜门。拆卸时先拆卸底部铰链，安装时先重新安装顶部铰链。

本产品不支持 TRIAC（交流三极管）调光器。

您的产品可能与所示图片效果有所不同。安装步骤相同。

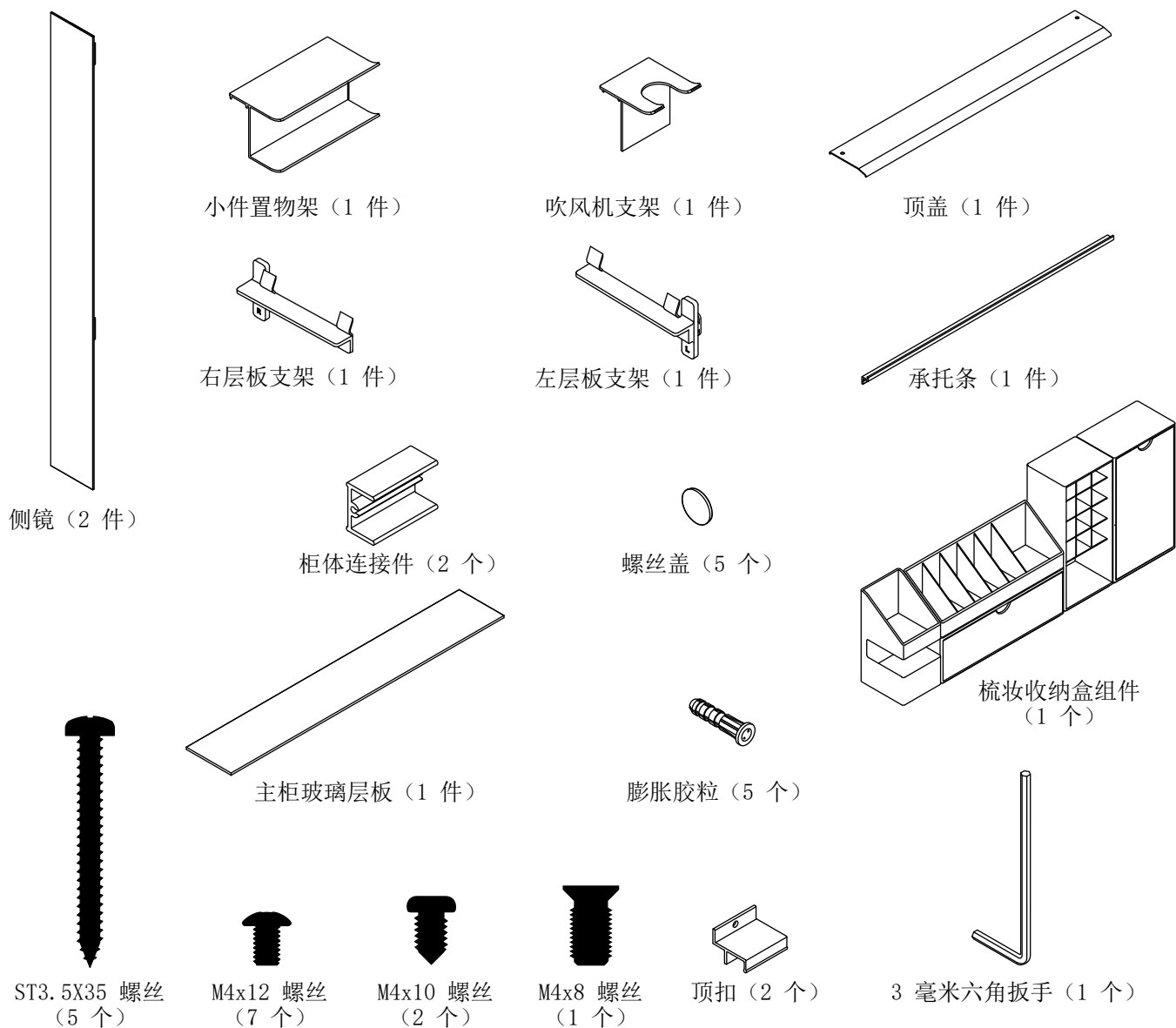
应由两个人执行此安装。

在确定产品的高度时，确认门不会被任何障碍物（例如水龙头或灯具）挡住。间隔距离至少为 3 英寸（76 毫米）。

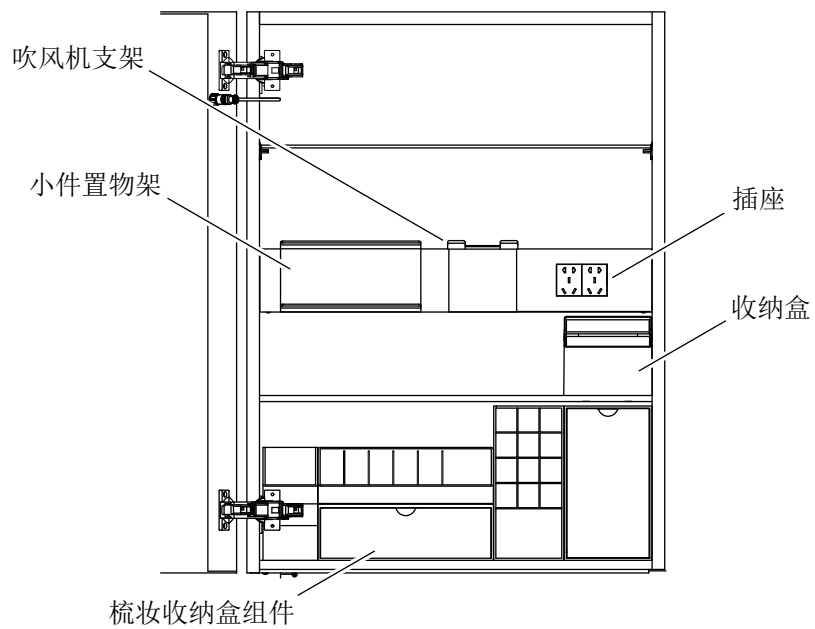
电气规格

电器功能	类型描述	位置
防雾膜	输入：DC 24 V，最大 15 W	面镜
电源	输入：AC 220 V/50 Hz 输出：DC 24 V/90 W	主柜接线盒
主 LED	输入：DC 24 V，最大 30 W	面镜
内部 LED	输入：DC 24 V，最大 10 W	内镜

零件识别

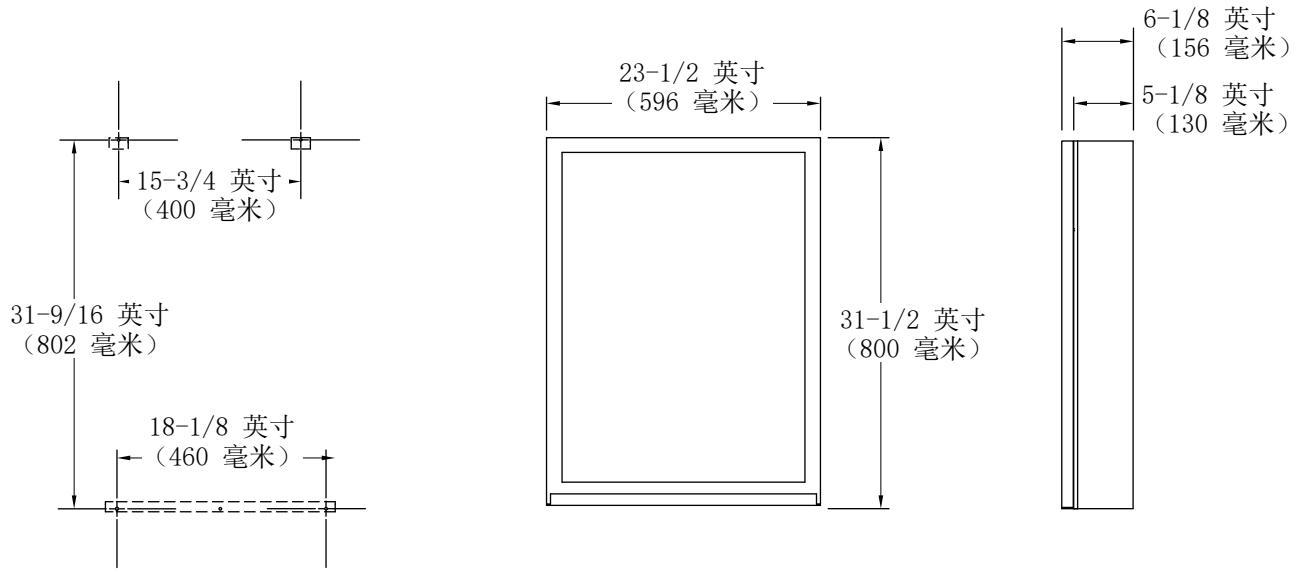


储物功能

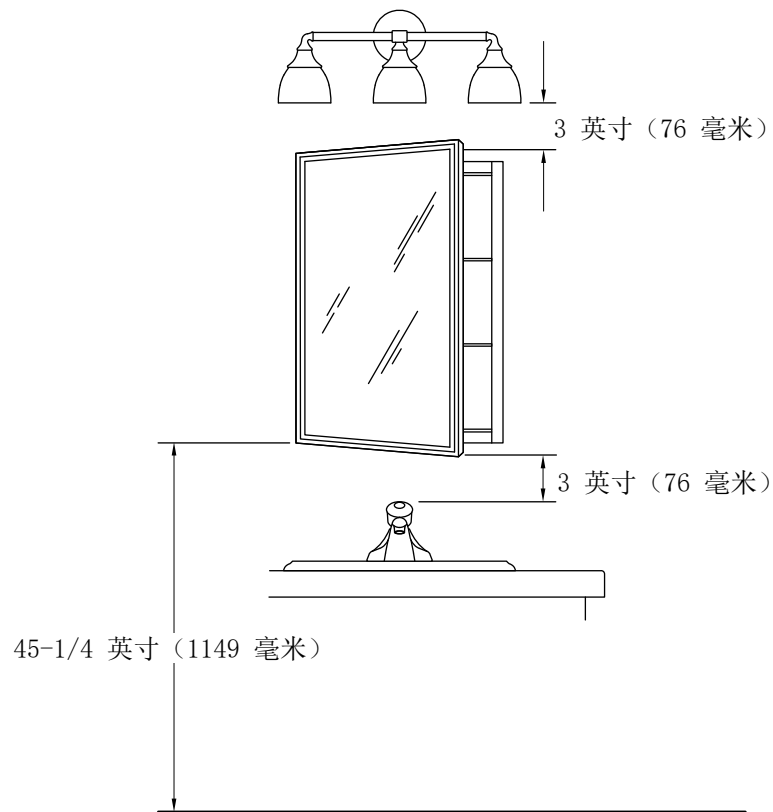


尺寸图

安装孔位置



1. 安装场地准备

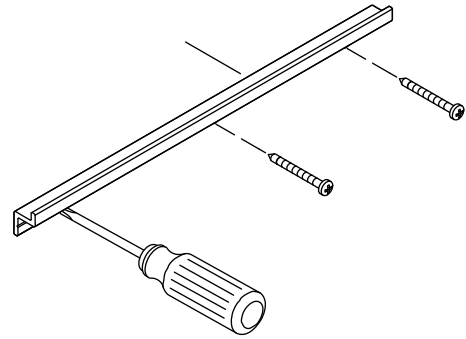
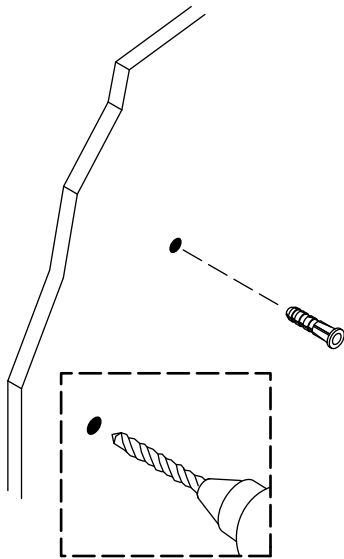


警告： 存在触电风险。执行以下程序前，请先断开电源。

警告： 存在触电风险。电气布线应当由资质合格的电工操作。

- 在确定产品的高度时，确认门不会被任何障碍物（例如水龙头或灯具）挡住。提供至少 3 英寸（76 毫米）的距离。
- 柜子底部与地面的距离约为 45-1/4 英寸（1149 毫米）。
- 根据“尺寸图”部分，测量并标记底部托条和顶部顶扣的安装孔位置。

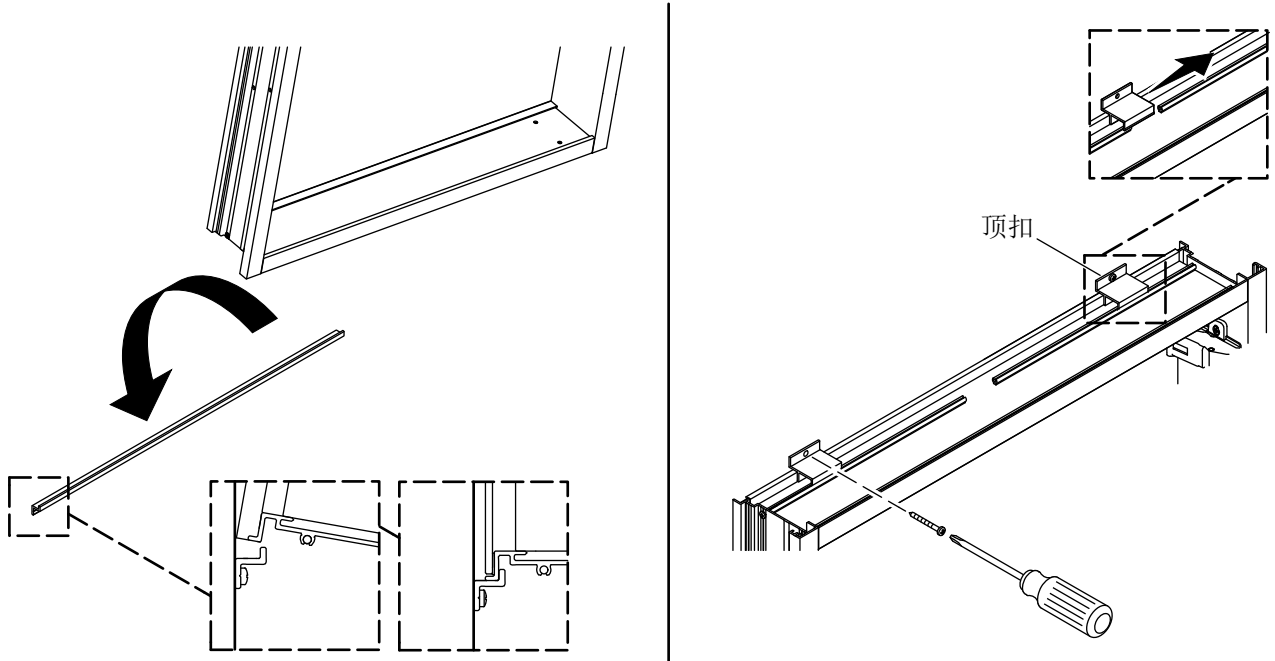
2. 安装托条



⚠ 小心：存在人身伤害的风险。本产品很重。在提升和移动产品时应有人帮助。

- 通过协助，将柜体抬起并固定在墙上。
- 将底部托条固定在柜子下方的墙上，以柜子中心线为中心。
- 确认柜子和托条处于水平状态。
- 通过协助，将柜子放在有衬垫的表面上。
- 如果未标记安装孔，则测量并标记底部托条的安装孔位置。
- 在标记的安装孔位置钻 6 毫米深的定位孔。
- 安装随附的入墙胶粒。
- 使用随附的 ST3.5X35 螺丝固定托条。

3. 安装柜子

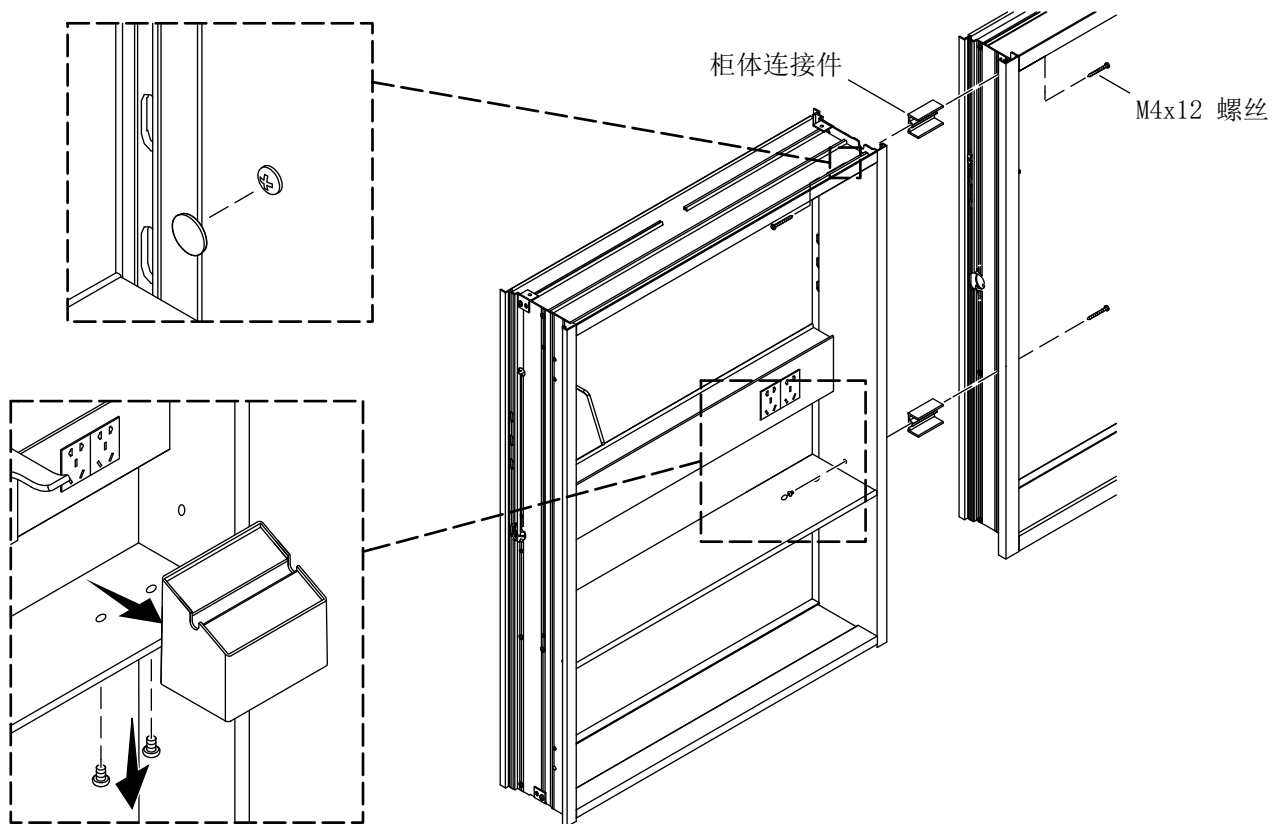


⚠ 小心：存在人身伤害的风险。本产品很重。在提升和移动产品时应有人帮助。

注：如果安装多个柜子，请一次安装一个柜子，在安装柜子时将柜子一个接一个地组合在一起。请参阅“组合（仅适用于多个柜子）”一节。

- 通过协助，抬起柜子并将柜子底部固定在托条上。确认柜体底部凸边卡入托条槽内。
- 从柜体顶部中间缺口嵌入顶扣，分别在柜子顶部两侧各安装一个顶扣。
- 将柜子顶部倾斜，紧贴墙壁，标记顶扣的安装孔。
- 在标记的安装孔位置钻 6 毫米深的定位孔。
- 安装随附的膨胀胶粒。
- 将柜子顶部向后靠墙倾斜，并将顶扣孔对准安装孔。
- 使用随附 ST3.5X35 螺丝固定顶扣。
- 如果安装多个柜子，请参阅“组合（仅适用于多个柜子）”一节，以组合下一个柜子。

4. 拼柜（仅适用于多个柜子）



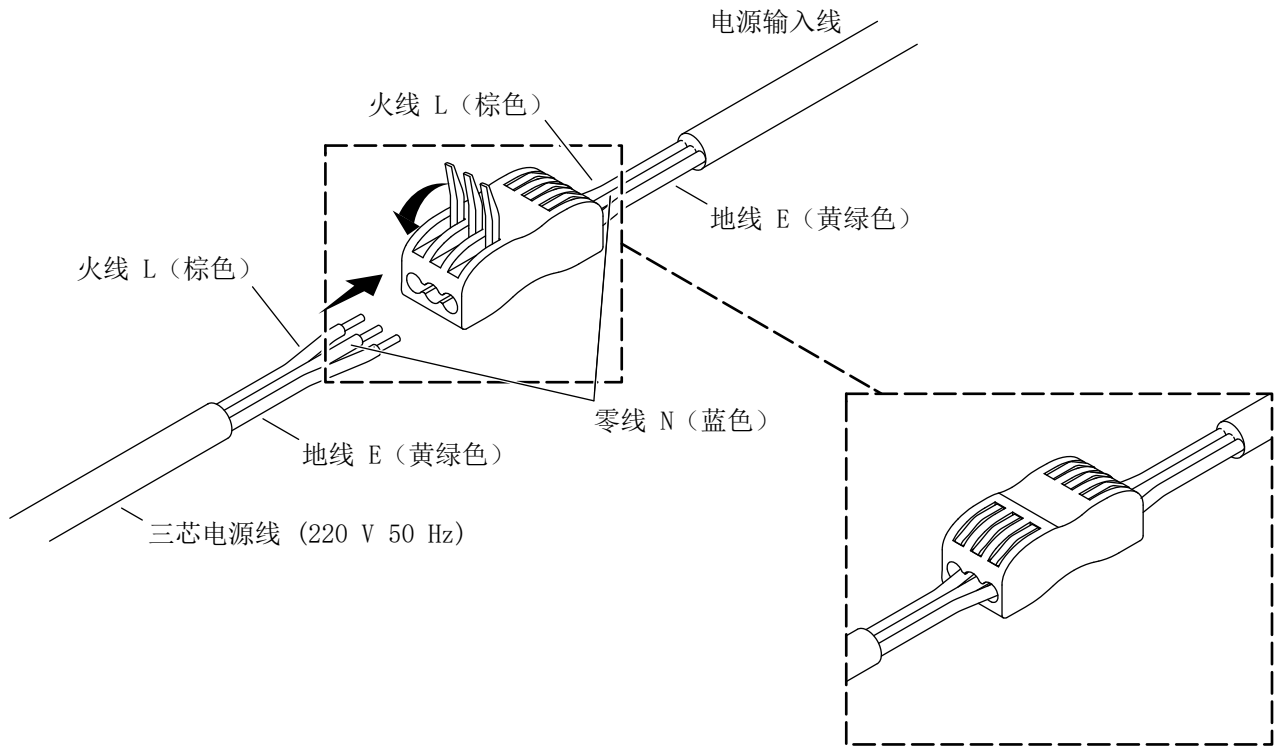
⚠️ 小心：存在人身伤害的风险。本产品很重。在提升和移动产品时应有人帮助。

注： 您的产品可能与所示图片效果有所不同。安装步骤相同。

注： 如果安装多个柜子，请一次安装一个柜子，在安装柜子时将柜子一个接一个地组合在一起。

- 从第一个柜子开始，使用随附的 M4x12 螺丝将两个柜体连接件固定在柜子的侧面。
- 如果要将安装有收纳盒（用于收纳电线、剃须刀和梳子等物品）的柜子组合起来，请先拆下收纳盒。使用随附的 M4x8 螺丝连接下部柜体连接件。
- 将第二个柜子放置在第一个柜子旁边。
- 将第二个柜子侧面的螺丝孔与柜体连接件的槽位对齐。
- 如果柜子之间有电线连接，请在连接柜子时小心放置电线。固定支架时避免夹住电线。
- 使用随附的 M4x12 螺丝将第二个柜子固定在第一个柜子上。
- 将随附的螺帽盖在螺丝上。
- 对需要连接在一起的其他每个柜子重复上述步骤。

5. 连接电源线



警告： 存在触电风险。所有电气连接均应由有资质的电工进行。

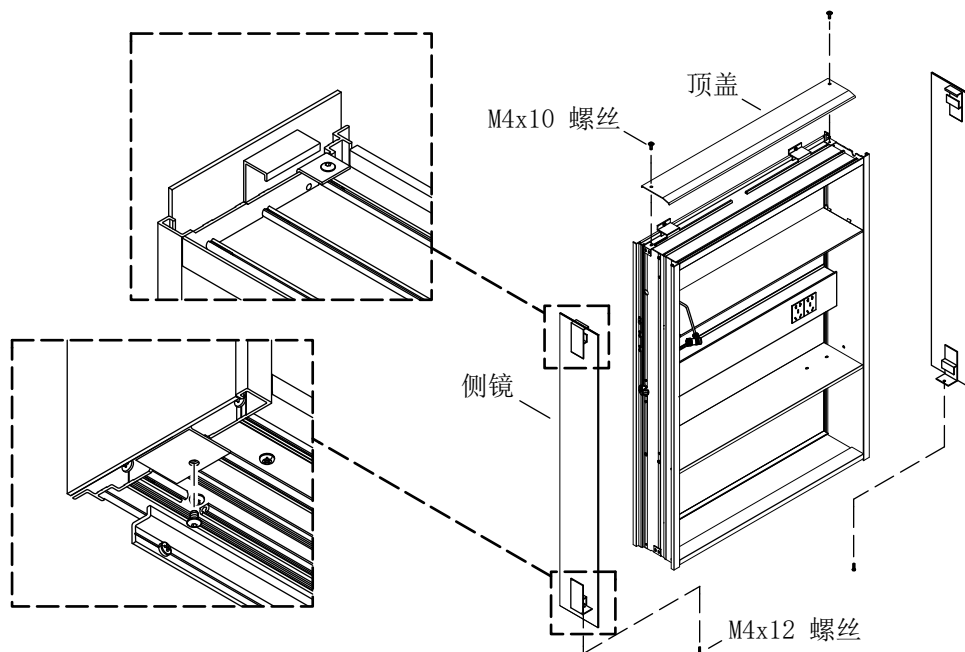
警告： 存在触电风险。执行以下程序前，请先断开电源。

注意： 必须由有资质的电工安装 220-240 V、50-60 Hz、15 A RCD 保护电路。

注： 连接到电源插座的电器不应超过 2000 W。

□ 如图所示，将墙上的电源输入线与柜子的三芯电源线连接。

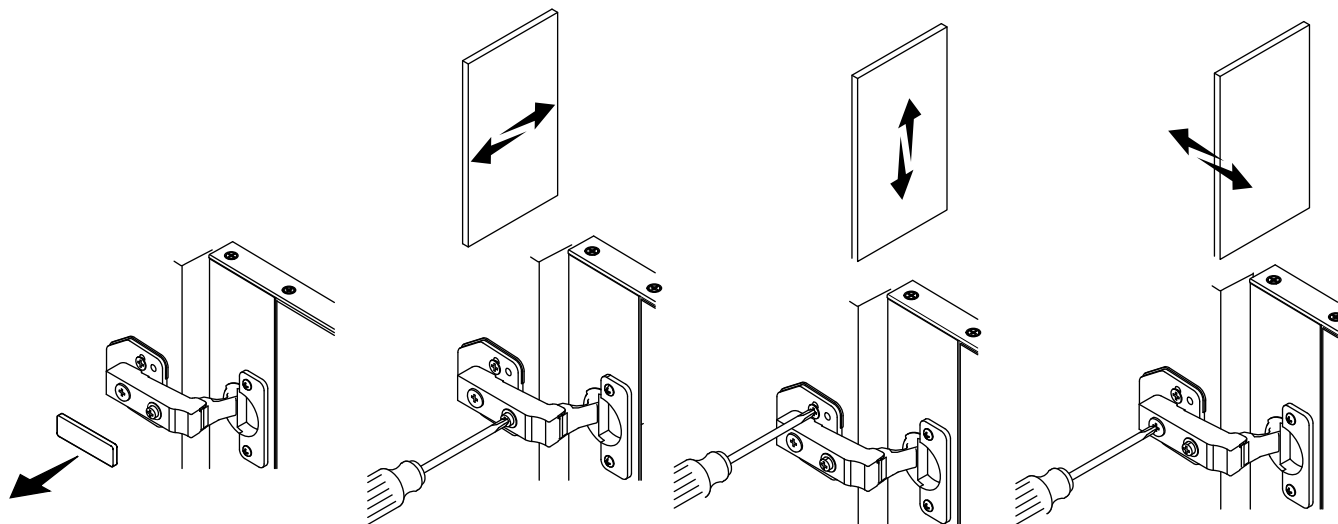
6. 安装侧镜和顶盖



注： 您的产品可能与所示图片效果有所不同。安装步骤相同。

- 用随附的 M4x12 螺丝安装侧镜。
- 用随附的 M4x10 螺丝安装顶盖。

7. 门体调节



注： 可以通过铰链的调节，来实现门体对齐和正常的功能

□ 拆下铰链盖后，才能看到调节螺丝。

左/右调节

□ 拧紧或松开前螺丝，水平调节门体。

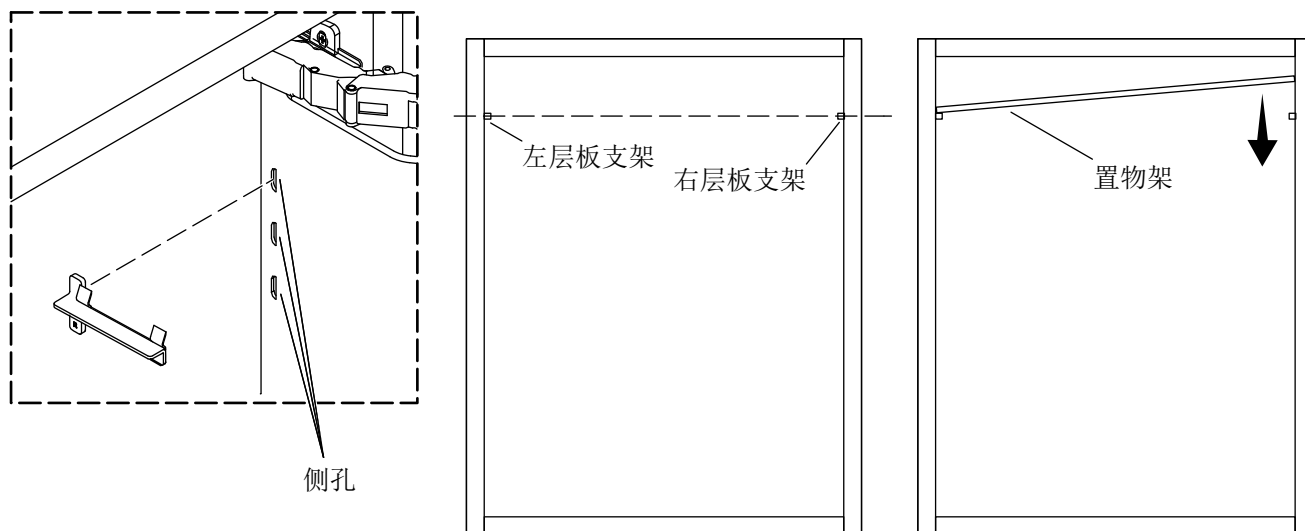
上/下调节

□ 松开将铰链固定在柜子上的两颗螺丝。调节门的高度并拧紧螺钉，将门固定在所需位置。

前/后调节

□ 拧紧或松开后螺丝，调节门的深度。

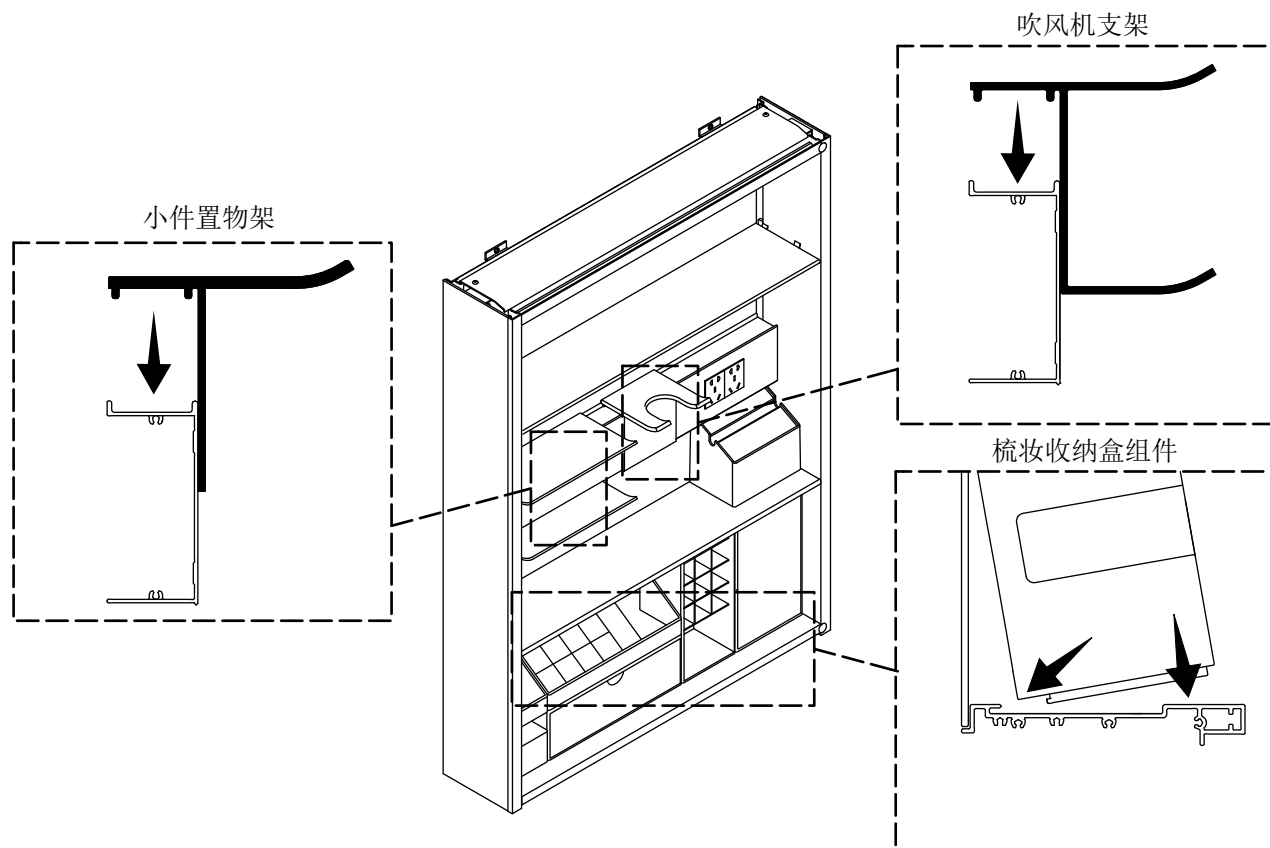
8. 安装玻璃层板



⚠️ 小心：请提防财产损失的风险。玻璃层板的最大负载：12.1 磅（5.5 公斤）。

- 将左右层板架插入侧孔中。
- 确认柜子两侧的层板架是否对齐。
- 将玻璃层板的一端放在一个层板架上，然后将玻璃层板的另一端向下压在另一个层板架上。

9. 安装配件



⚠️ 小心：请提防财产损失的风险。 小件置物架最大负载：每个层架 3.3 磅（1.5 公斤）。

- 将小件置物架挂在多功能组件上。
- 将吹风机支架挂在多功能组件上。
- 安装梳妆收纳盒组件。

操作灯

主柜



手动模式:

- 灯灭时，按科勒图标可打开灯和防雾膜。所有三个图标的颜色都将变为白色。当按亮度和色温图标时，被按下的图标的颜色将变为蓝色，松开后，图标的颜色会变回白色。
- 灯亮时，按科勒图标可关闭灯。防雾膜将在 30 分钟后自动关闭。亮度和色温图标将关闭，科勒图将在 50% 亮度时变为白色。
- 长按科勒图标 2 秒，进入自动模式。

自动模式:

- 灯灭后，人靠近镜柜会自动开灯并打开防雾膜。亮度和色温图标将变为蓝色，科勒图标将变为白色。当按亮度和色温图标时，被按下的图标的颜色将变为白色，松开后，图标的颜色会变回蓝色。
- 人离开约 3 分钟后，灯慢慢熄灭，图标指示灯也会熄灭。防雾膜将在 30 分钟后自动关闭。
- 灯亮时，按科勒图标可关闭灯，并进入手动模式。
- 灯灭时，按科勒图标可打开灯，并进入手动模式。
- 长按科勒图标 2 秒，进入手动模式。

镜门内侧灯

- 打开镜门，灯亮。
- 关闭镜门，灯灭。

Installation Instructions

Lighted Mirror Cabinet

Thank You for Choosing KOHLER

Need help? Contact our Customer Care Center.






- Mainland China: +(86) 800-820-2628, +(86) 400-820-2628

Warranty

This product is covered under the **Three-Year Limited Warranty for KOHLER® Plumbing Products**, found in the packed Compliance Certification.

IMPORTANT SAFETY INSTRUCTIONS

Read all instructions before installing or using this product.

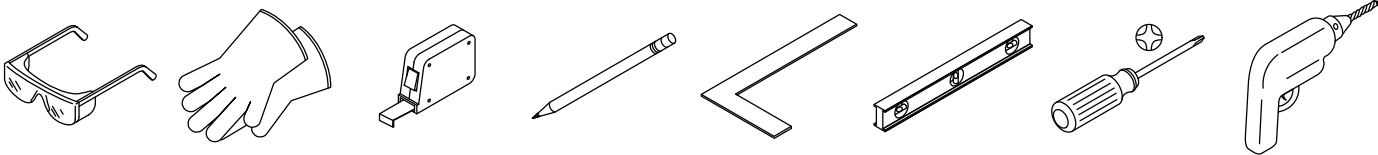
-  **WARNING: When using electrical products, basic precautions should always be followed, including the following:**
-  **WARNING: Risk of electric shock.** Connect only to a properly grounded dedicated circuit protected by a Residual Current Device (RCD). Use 220-240 V, 50-60 Hz, 15 A service. Do not remove the grounding pin or use a grounding adapter.
-  **WARNING: Risk of electric shock.** A qualified electrician must route all electrical wiring for the product. Improper installation will create an electrical hazard and may not comply with local building and electrical codes.
-  **WARNING: Risk of electric shock.** Disconnect the power before servicing.
-  **CAUTION: Risk of electric shock.** Electrical wiring may need to be relocated.

Follow all local plumbing, building, and electrical codes.

The product complies with GB24977-2010.





SAVE THESE INSTRUCTIONS

Tools and Materials



6 mm Drill Bit

Before You Begin

-  **CAUTION: Risk of personal injury.** This product is heavy. Get assistance lifting and moving the product.
-  **CAUTION: Risk of product or property damage.** The location of the cabinet is critical. Verify that the door will clear all obstacles (such as a faucet or light fixture). Verify that any obstacles behind the finished wall will not be damaged during the cutting and/or drilling process.
-  **CAUTION: Risk of property damage.** Maximum shelf load: 12.1 lbs (5.5 kg).
-  **CAUTION: Risk of property damage.** Maximum small item shelf load: 3.3 lbs (1.5 kg) per floor.

IMPORTANT! Reroute any electrical wires or water supply piping. If you encounter drain or vent piping or if your wall is load-bearing, consult a professional before proceeding.

NOTICE: Risk of product damage. Do not leave the door supported with only one hinge during removal or reinstallation. Disengage the bottom hinge first during removal, and reattach the top hinge first during installation.

This product does not support TRIAC (Triode for Alternating Current) dimmers.

Your product may appear different from the one illustrated. The installation procedure is the same.

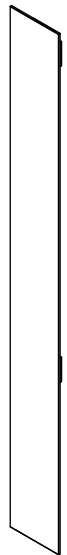
Two people should perform this installation.

When determining the height of the product, verify the door(s) will clear all obstacles (such as a faucet or light fixture). A minimum distance of 3" (76 mm) is required.

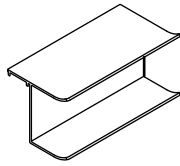
Electrical Specifications

Electrical Function	Type Description	Location
Defogger	Input: DC 24 V, Max 15 W	Outer Mirror
Power Supply	Input: AC 220 V/50 Hz Output: DC 24 V/90 W	Main Cabinet Junction Box
Main LED	Input: DC 24 V, Max 30 W	Outer Mirror
Inner LED	Input: DC 24 V, Max 10 W	Inner Mirror

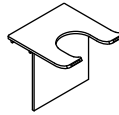
Parts Identification



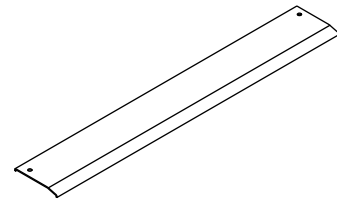
Side Mirror
(Qty 2)



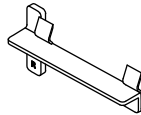
Small Item Shelf
(Qty 1)



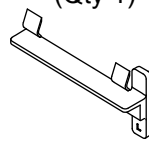
Hair Dryer Holder
(Qty 1)



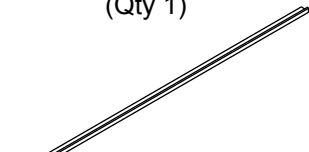
Top Cover
(Qty 1)



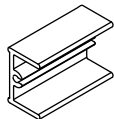
Right Shelf Clip
(Qty 1)



Left Shelf Clip
(Qty 1)



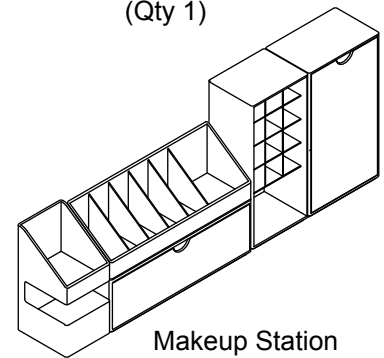
Mounting Bar
(Qty 1)



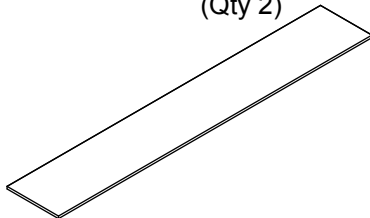
Cabinet Joining Block
(Qty 2)



Screw Cap
(Qty 5)



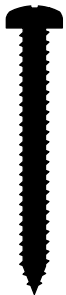
Makeup Station
(Qty 1)



Main Cabinet Glass Shelves
(Qty 1)



Wall Anchors
(Qty 5)



Screw ST3.5X35
(Qty 5)



Screw M4x12
(Qty 7)



Screw M4x10
(Qty 2)



Screw M4x8
(Qty 1)

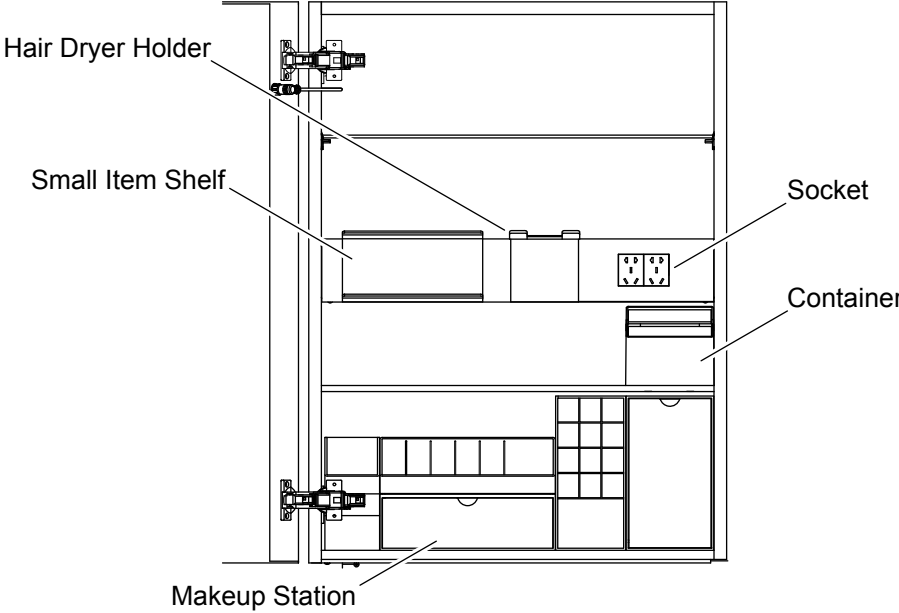


Retaining Clip
(Qty 2)



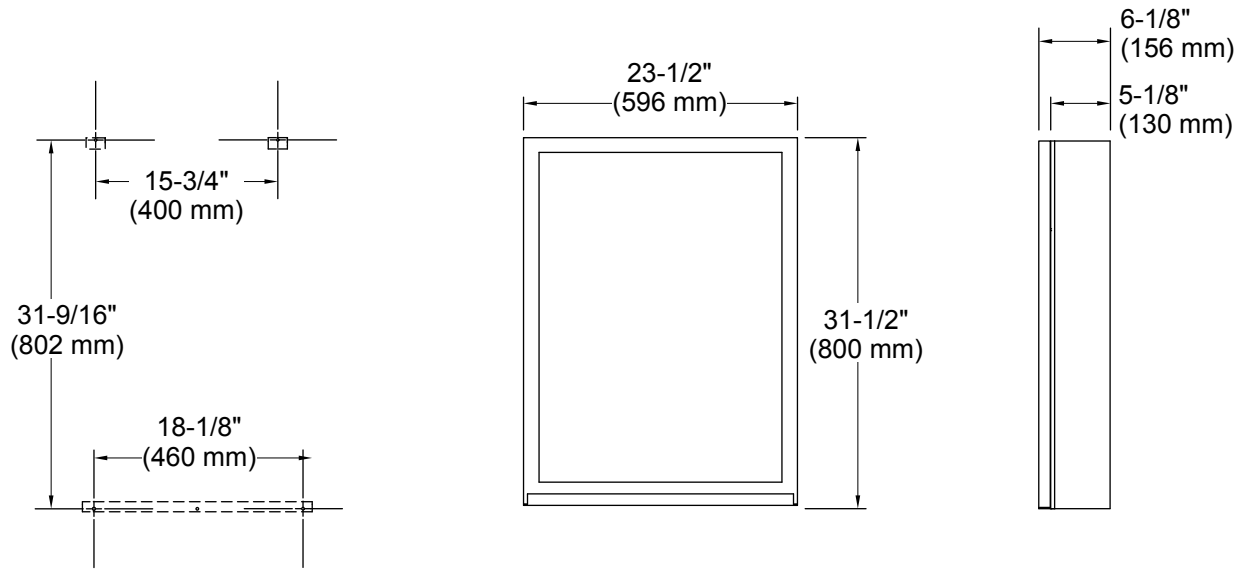
3 mm Hex Wrench
(Qty 1)

Storage Features

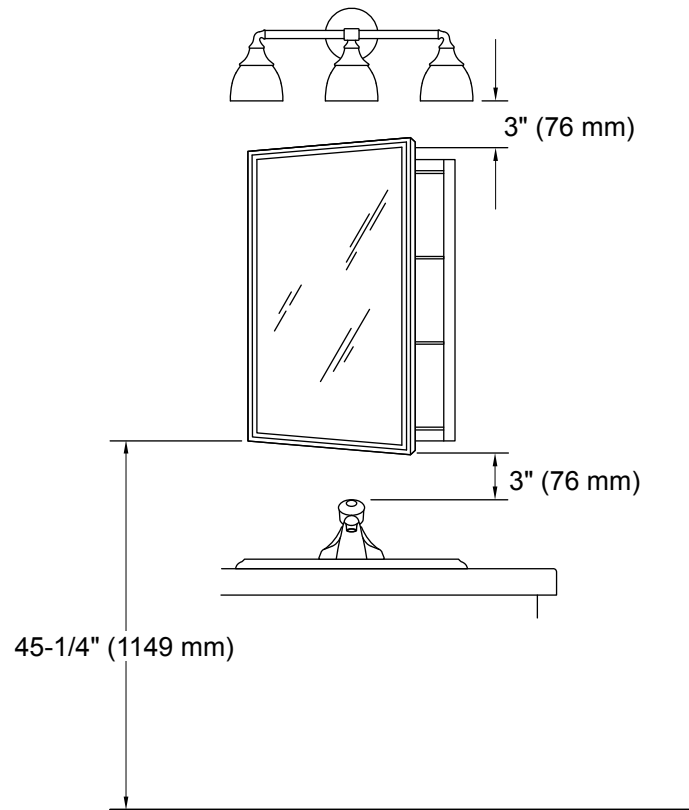


Roughing-In

Mounting-Hole Locations



1. Prepare the Site

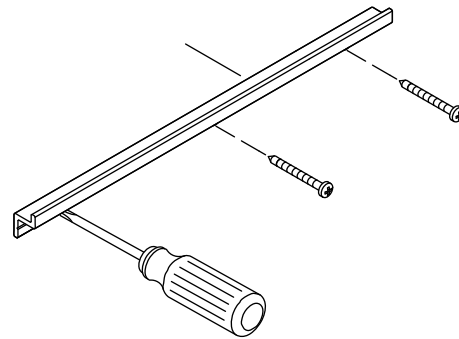
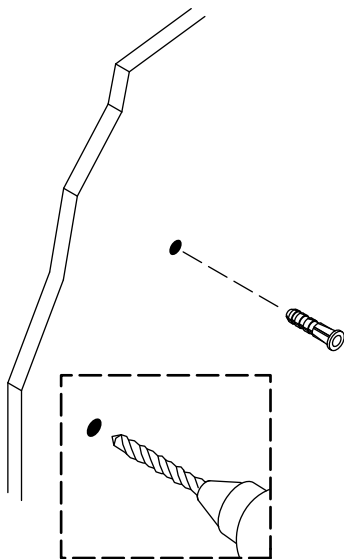


⚠ WARNING: Risk of electric shock. Disconnect the power before performing the following procedures.

⚠ WARNING: Risk of electric shock. A qualified electrician should route all electrical wiring.

- When determining the height of the product, verify that the door will clear all obstacles (such as a faucet or light fixture). Provide a minimum distance of 3" (76 mm).
- The distance from the floor to the bottom of the cabinet is about 45-1/4" (1149 mm).
- Measure and mark the mounting-hole locations for the bottom hanger(s) and top retaining clips according to the "Roughing-In" section.

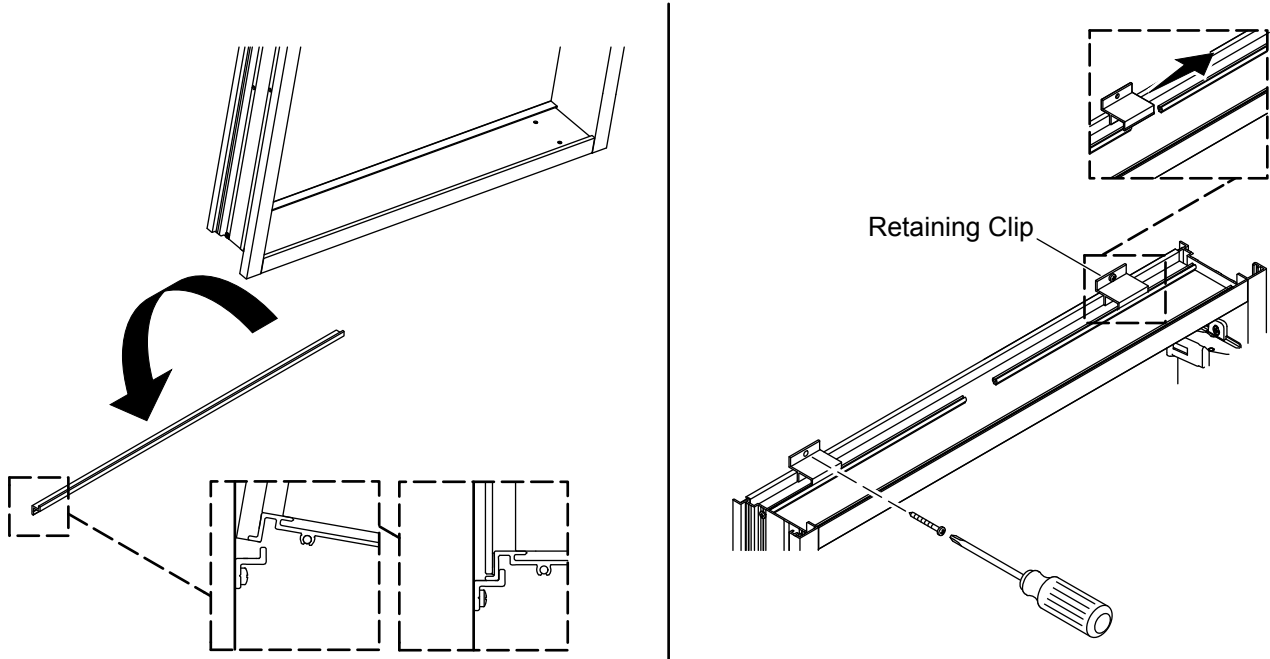
2. Install the Hanger



⚠ CAUTION: Risk of personal injury. This product is heavy. Get assistance lifting and moving the product.

- With help, lift and hold the cabinet in position on the wall.
- Position the bottom hanger in place under the cabinet on the wall, centered with the centerline of the cabinet.
- Verify that the cabinet and hanger are level.
- With help, set the cabinet down onto a padded surface.
- If the mounting-holes have not been marked, measure and mark the mounting-hole locations for the bottom hanger(s).
- Drill 6 mm pilot holes at the marked mounting-hole locations.
- Install the provided wall anchors.
- Secure the hanger with the provided ST3.5X35 screws.

3. Install the Cabinet

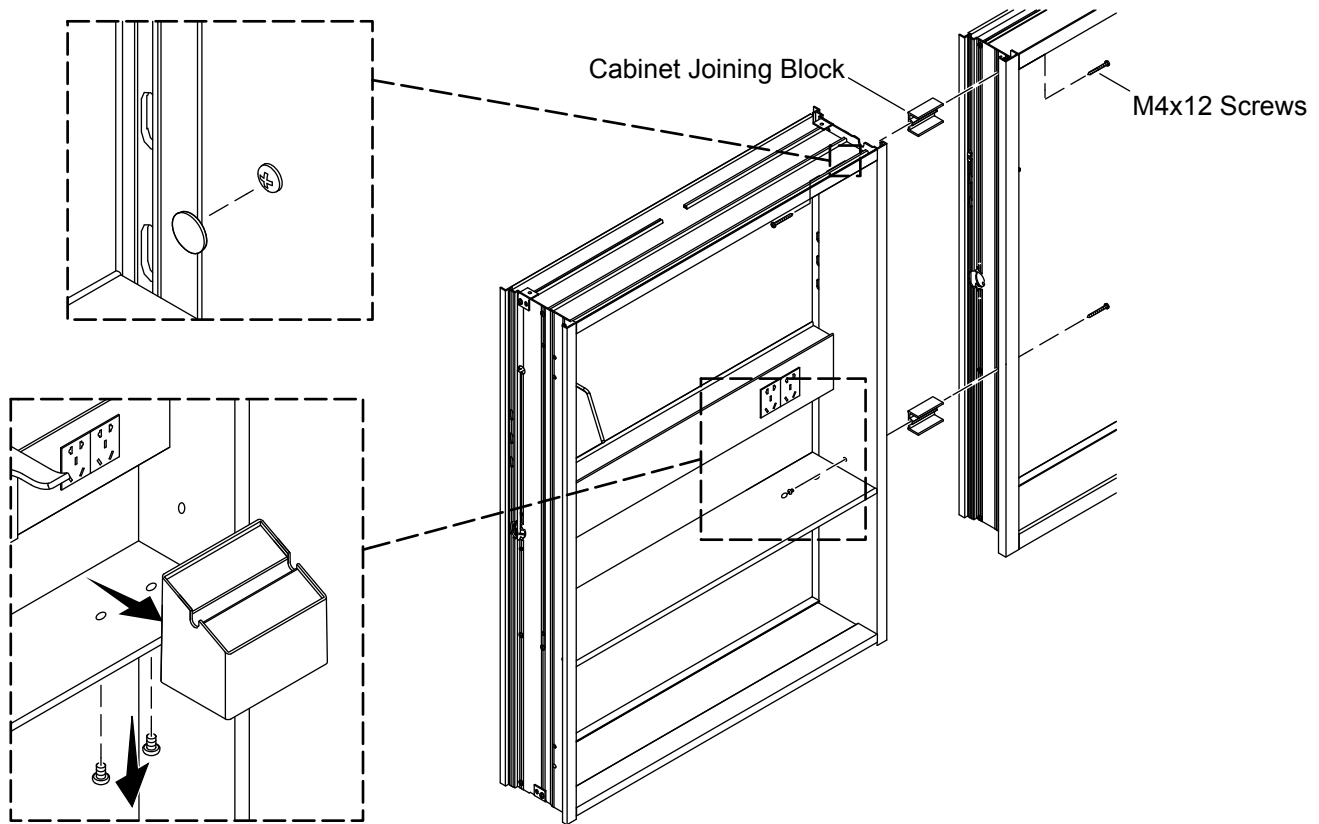


⚠ CAUTION: Risk of personal injury. This product is heavy. Get assistance lifting and moving the product.

NOTE: If installing multiple cabinets, install the cabinets one at a time, ganging the cabinets together one by one as the cabinets are installed. Refer to the “Ganging (Multiple Cabinets Only)” section.

- With help, lift the cabinet and set the bottom of the cabinet onto the hanger. Verify that the bottom of the cabinet hooks and engages the hanger.
- From the center of the cabinet, insert the top retaining clips into the channel and position a retaining clip to each side of the cabinet.
- Tilt the top of the cabinet and hold against the wall to mark the mounting-holes for the retaining clips.
- Drill 6 mm pilot holes at the marked mounting-hole locations.
- Install the provided anchors.
- Tilt the top of the cabinet back against the wall and align the holes in the retaining clips with the mounting-holes.
- Secure the retaining clips with the provided ST3.5X35 screws.
- If installing multiple cabinets, refer to the “Ganging (Multiple Cabinets Only)” section to gang the next cabinet.

4. Ganging (Multiple Cabinets Only)



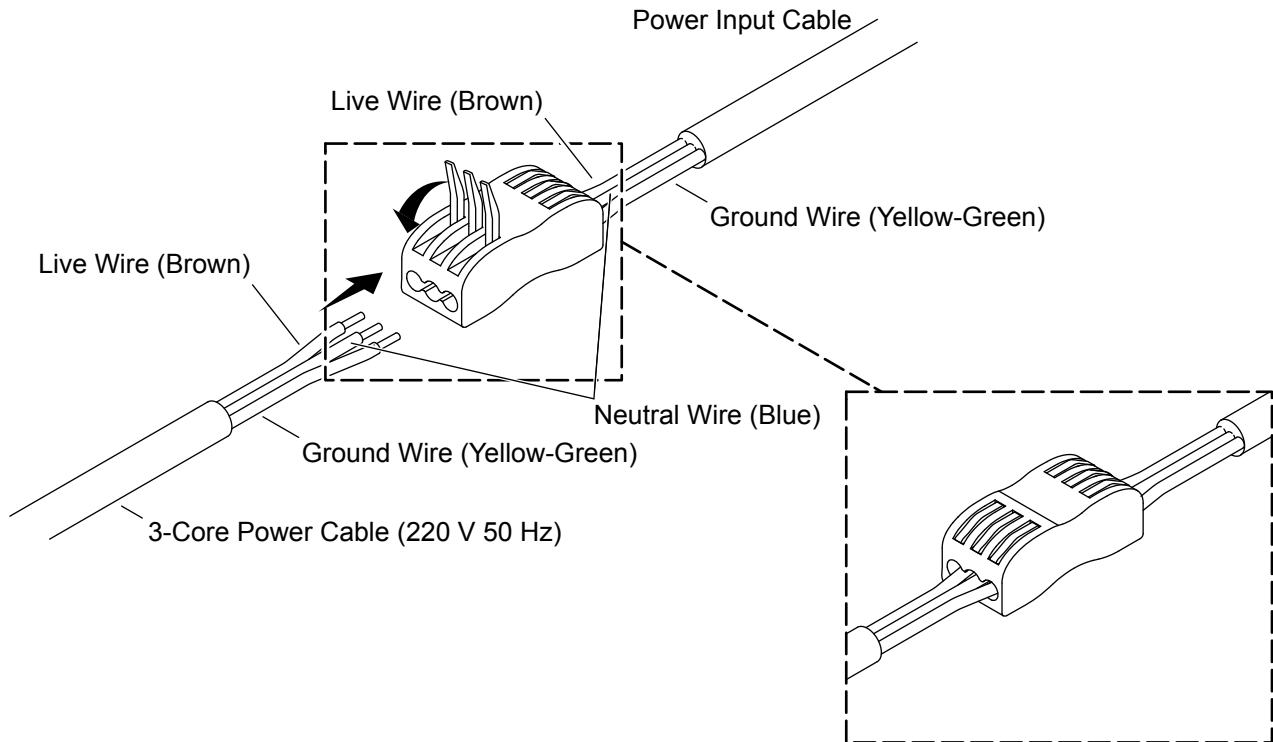
⚠ CAUTION: Risk of personal injury. This product is heavy. Get assistance lifting and moving the product.

NOTE: Your product may appear different from the one illustrated. The installation procedure is the same.

NOTE: If installing multiple cabinets, install the cabinets one at a time, ganging the cabinets together one by one as the cabinets are installed.

- Start with the first cabinet and attach two of the cabinet joining blocks to the side of the cabinet using the provided M4x12 screws.
- If ganging a cabinet that has a container (for wire, razor and comb, etc.) installed, remove the container. Attach the lower cabinet joining block using the provided M4x8 screw.
- Position the second cabinet next to the first cabinet.
- Align the screw holes on the side of the second cabinet with the slots in the cabinet joining blocks.
- If the electrical wires are connected between the cabinets, carefully position the electrical wires as the cabinets are joined together. Avoid pinching the electrical wires while securing the brackets.
- Secure the second cabinet to the first cabinet using the provided M4x12 screws.
- Place the provided screw caps over the screws.
- Repeat for each additional cabinet that will be joined together.

5. Connect the Electrical Supply Wires



⚠ WARNING: Risk of electric shock. A qualified electrician should make all electrical connections.

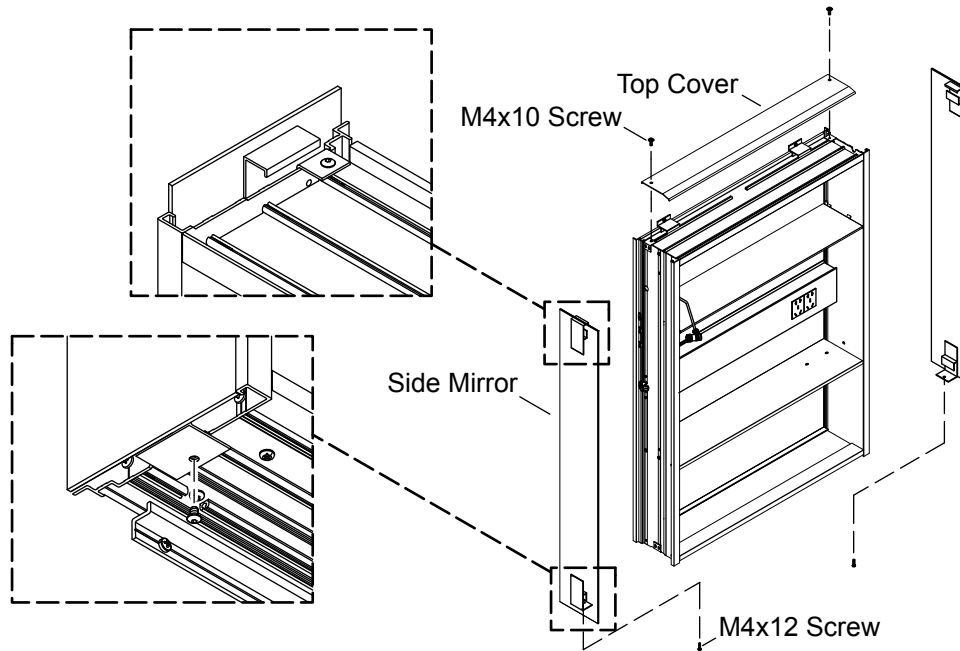
⚠ WARNING: Risk of electric shock. Disconnect the power before performing the following procedures.

NOTICE: A qualified electrician must install the 220-240 V, 50-60 Hz 15 A RCD protected circuit.

NOTE: Electrical appliances connected to the electrical outlet should not exceed 2000 W.

☐ Connect the power input cable from the wall to the 3-core power cable from the cabinet as shown.

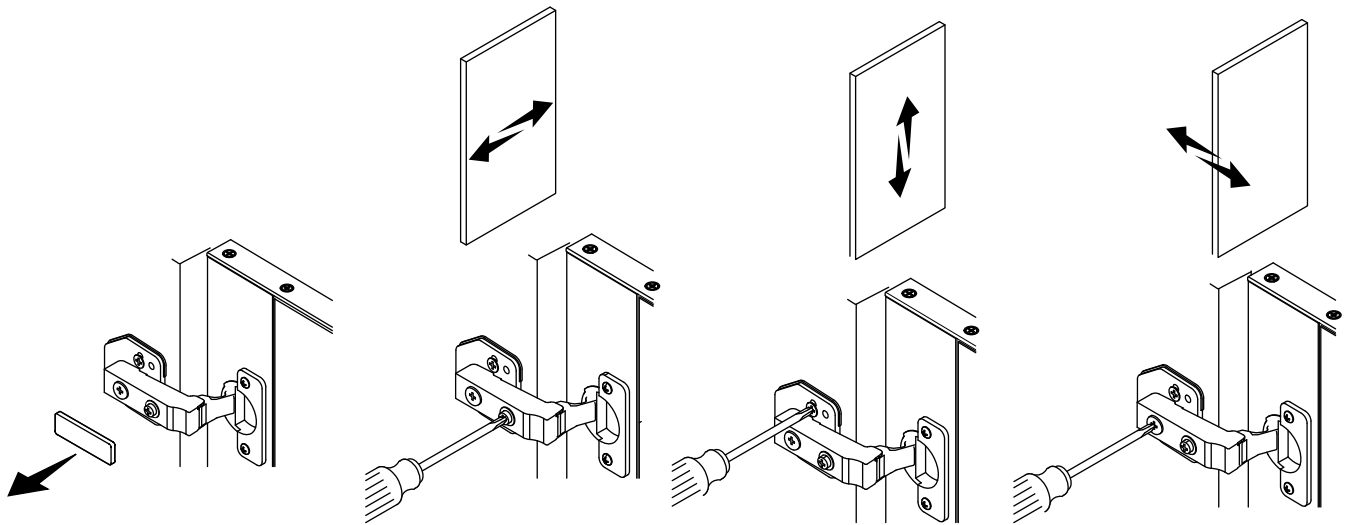
6. Install the Side Mirrors and Top Cover



NOTE: Your product may appear different from the one illustrated. The installation procedure is the same.

- Install the side mirrors with the provided M4x12 screws.
- Install the top cover with the provided M4x10 screws.

7. Adjust the Door



NOTE: The hinges can be adjusted for proper door functionality and alignment.

- Remove the hinge cover to access the adjustment screws.

Left/Right Adjustment

- Tighten or loosen the front screw to adjust the door horizontally.

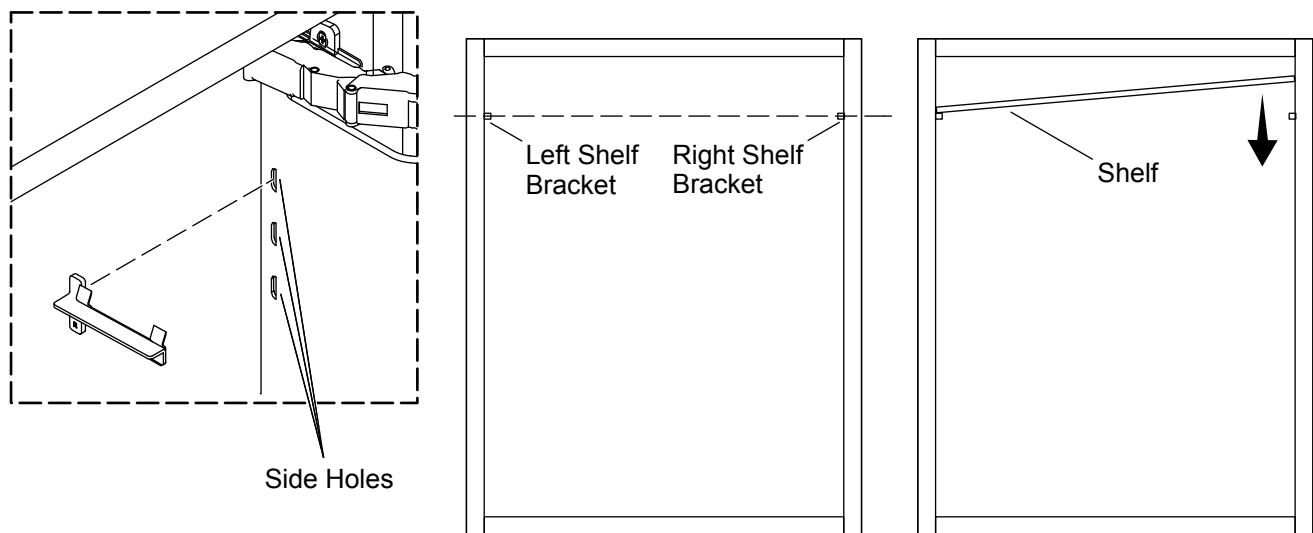
Up/Down Adjustment

- Loosen the two screws holding the hinge to the cabinet. Adjust the height of the door and tighten the screws to secure the door in the desired position.

Forward/Backward Adjustment

- Tighten or loosen the rear screw to adjust the door depth.

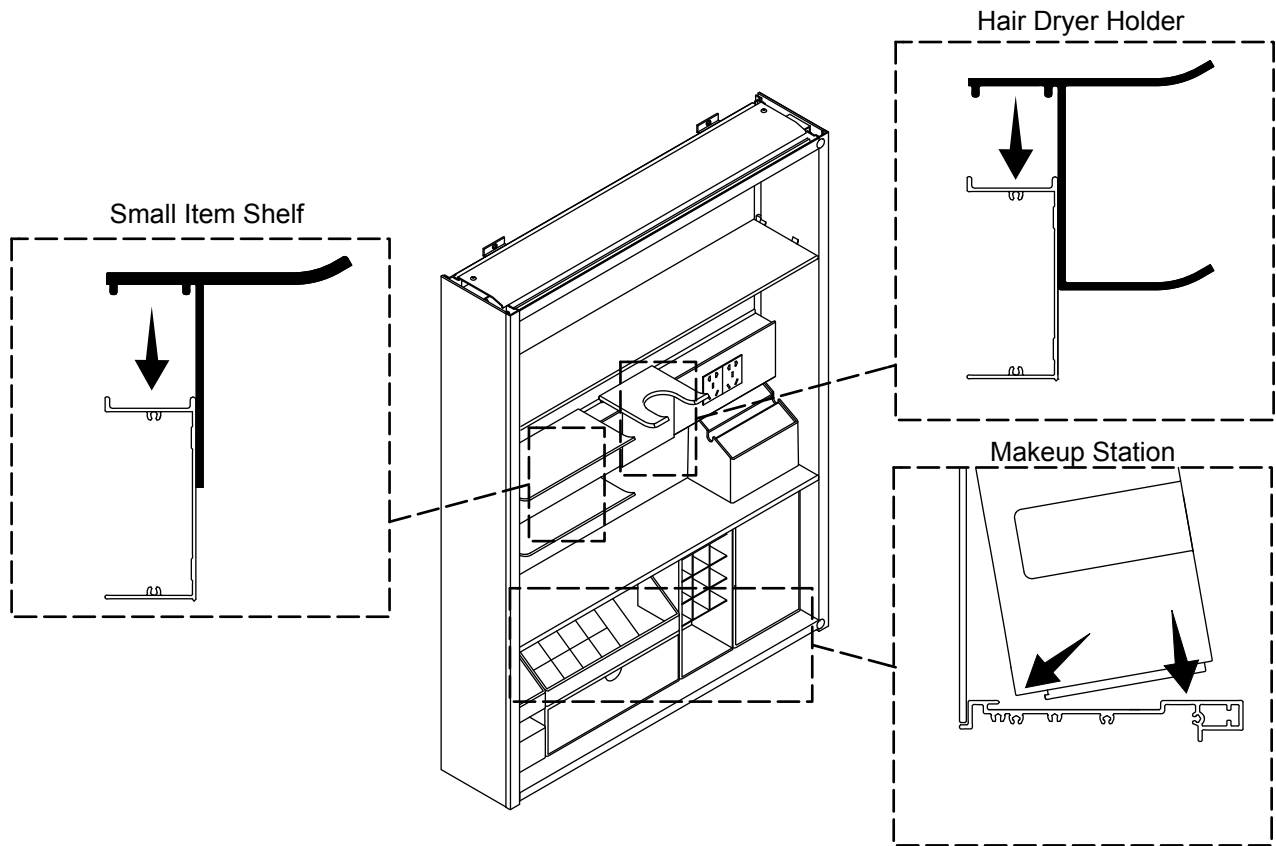
8. Install the Shelves



⚠ CAUTION: Risk of property damage. Maximum shelf load: 12.1 lbs (5.5 kg).

- Insert the left and right shelf brackets into the side holes.
- Verify that the shelf brackets on both sides of the cabinet are aligned.
- Position one end of the shelf onto one shelf bracket and then press the other end of the shelf down onto the opposite shelf bracket.

9. Install the Accessories



⚠ CAUTION: Risk of property damage. Maximum small item shelf load: 3.3 lbs (1.5 kg) per shelf.

- Hang the small item shelf onto the utility bar.
- Hang the hair dryer holder onto the utility bar.
- Install the makeup station components.

Main Cabinet



Manual Mode:

- When the light is OFF, press the KOHLER icon to turn ON the light and anti-fog film. The color of all three icons will change to white. When the brightness and color temperature icons are pressed, the color of the icon being pressed will change to blue, and when released, the color of the icon will change back to white.
- When the light is ON, press the KOHLER icon to turn OFF the light. The anti-fog film will automatically turn OFF 30 minutes later. The brightness and color temperature icons will turn OFF and the KOHLER icon will turn white at 50% brightness.
- Press and hold the KOHLER icon for 2 seconds to enter automatic mode.

Automatic Mode:

- When the light is OFF, approaching the mirror cabinet will turn ON the light and anti-fog film. The brightness and color temperature icons will change to blue, and the KOHLER icon will change to white. When the brightness and color temperature icons are pressed, the color of the icon being pressed will change to white, and when released, the icon color will change back to blue.
- When leaving, after approximately 3 minutes, the light slowly turns off and the icons will turn OFF. The anti-fog film will automatically turn OFF 30 minutes later.
- When the light is ON, press the KOHLER icon to turn OFF the light and enter manual mode.
- When the light is OFF, press the KOHLER icon to turn ON the light and enter manual mode.
- Press and hold the KOHLER icon for 2 seconds to enter manual mode.

Mirror Door Interior Light

- Open the mirror door and the light turns ON.
- Close the mirror door and the light turns OFF.

[kohler.com](https://www.kohler.com)

THE BOLD LOOK
OF **KOHLER**®

©2024 Kohler Co.



1558795-T2

1558795-T2-B