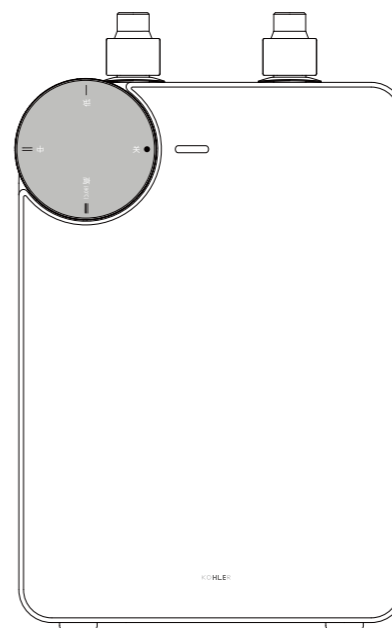


★ 296⁺¹₀

*使用产品前请仔细阅读本说明书并且严格按照说明书操作，并请妥善保管以备需要。
*Please read this guide carefully and operate in strict accordance before using the product.
And keep it safe for future use.*

Installation Guide 产品安装使用说明书

URBANITY GROOMING WATER HEATER
艾贝小卫宝
K-28982T-STA06-01R



★ 210⁺¹₀

追溯码



KOHLER CHINA INVESTMENT CO., LTD NO.158, JIANG CHANG SAN ROAD,
JING'AN DISTRICT, SHANG HAI, PRC POST CODE: 200436
科勒（中国）投资有限公司上海市静安区市北工业园区江场三路158号邮编：200436
FREE SERVICE HOT LINE: 800 8202628 MOBILE: 400 820 2628(China Only)
免费服务热线：800 820 2628 手机用户：400 820 2628（仅限中国地区）

KOHLER Hotline: 800 820 2628/400 820 2628

科勒热线：800 820 2628/400 820 2628

KOHLER

1510061-T01-A

1510061-T01-A

© Copyright Kohler China Investment Co., Ltd. 2022
© 版权为科勒（中国）投资有限公司所有 2022

装钉线(不印刷)

说明书技术要求：

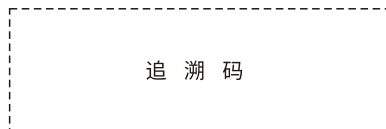
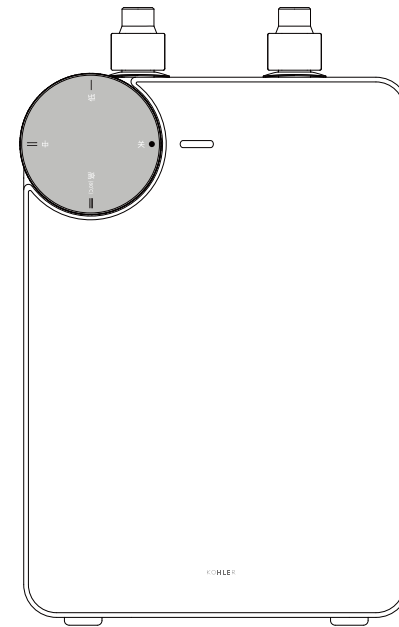
1. 彩色印刷；
2. 尺寸大小按电子版1:1制作；
3. 印刷清晰，字迹完整，页码顺序正确，装订整齐；
4. 图示外尺寸为裁剪尺寸，切口平齐；
5. 未注尺寸公差按⁺¹₀mm；
6. “★★”为重要尺寸，“★”为主要尺寸。

						说明书			STA06.19	
标记	处数	分区	更改文件号	签名	日期	版本	重量	比例	第一角画法	
设计	潘丽丹	2024-06-11	标准化	梁珊珊		见系统		1:1	共1张	第1张
校对	韦金华		审核	曾宪杰		封面：双铜纸/128g/m ² /白色 内页：双胶纸/128g/m ² /白色		广东奥荣 电器有限公司		
工艺			审定							

使用产品前请仔细阅读本说明书并且严格按照说明书操作，并请妥善保管以备需要。
*Please read this guide carefully and operate in strict accordance before using the product.
And keep it safe for future use.*

Installation Guide 产品安装使用说明书

URBANITY GROOMING WATER HEATER
艾贝小卫宝
K-28982T-STA06-01R




KOHLER CHINA INVESTMENT CO., LTD N0.158, JIANG CHANG SAN ROAD,
JING'AN DISTRICT, SHANG HAI, PRC POST CODE: 200436
科勒（中国）投资有限公司上海市静安区市北工业园区江场三路158号邮编：200436
FREE SERVICE HOT LINE: 800 8202628 MOBILE: 400 820 2628(China Only)
免费服务热线：800 820 2628 手机用户：400 820 2628（仅限中国地区）

KOHLER Hotline: 800 820 2628/400 820 2628

科勒热线：800 820 2628/400 820 2628

KOHLER

 <p>Restricted use label of hazardous substances</p>	<p>Environmental protection period of 10 years: it means that the hazardous substances contained in this product will not leak or mutate, and the normal use of this product by users under the conditions described in the product manual will not cause serious pollution to the environment or serious personal injury and property damage.</p> <p>Circular sign: indicates that this product can be recycled. It shall not be discarded upon discretion after the service life has expired or it can't work properly after maintenance. Please hand it over to the regular recycling channels and enterprises qualified for disposal of discarded electrical and electronic products. Please refer to the national or local regulations on disposal of used electrical and electronic products for correct disposal methods.</p>
---	--

All the above marks are all in accordance with China's Administrative Measures for Restriction of Hazardous Substances and its supporting standard SJ/T 11364. Long-term use of this product will not cause any harm to human body. Please feel free to use it.

The effluent is cold water (the indicator light is on in white)	Heating temperature is set too low or off	Adjust the temperature control knob to the high temperature zone
	Not above	Call the service hotline
The effluent is cold water (the indicator light is on in red)	Heating time is too short	Continue heating
	Not above	Call the service hotline

Note: If your water heater can't be used properly in case of any abnormal situations, please handle it according to "Faults and Eliminating Methods." In case of any electrical problems, please contact the Special Maintenance Department appointed by the Company and the maintenance will be carried out by professional personnel.

9. LIST OF HAZARDOUS SUBSTANCES

Name and content of hazardous substances included (storage electric water heater)						
Parts name	Hazardous substance					
	Lead (Pb)	Hydrargyrum (Hg)	Cadmium (Cd)	Hexavalent chromium (Cr(VI))	Polybrominated biphenyl (PBB)	Polybrominated diphenyl ethers (PBDE)
Power cable	×	○	○	○	○	○
Internal connecting line	○	○	○	○	○	○
Controller	×	○	×	○	○	○
Heating pipe	○	○	○	○	○	○
Fasteners (screws, etc.)	○	○	○	○	○	○
Liner	○	○	○	○	○	○
Shell	○	○	○	○	○	○
Safety valve	×	○	○	○	○	○

This table is prepared in accordance with the provisions of SJ/T 11364.
 ○ : Indicates that the content of the hazardous substance in all homogeneous materials of the part is below the prescribed limit in GB/T 26572.
 × : Indicates that the content of the hazardous substance in at least one homogeneous material of the part exceeds the prescribed limit in GB/T 26572.
 Description:
 1. Some of the above "×" parts contain hazardous substances exceeding the standard since the current technical level of the industry is limited, therefore it is temporarily impossible to replace or reduce them.
 2. Since the products of certain models may not contain some parts in the above table, please refer to the actual model purchased.

目录

一、产品功能	1
二、注意事项	2
三、产品规格	4
四、安装方法	7
五、使用方法	9
六、维护保养	10
七、装箱清单	10
八、故障及其处理方法	11
九、有害物质清单	12

亲爱的客户

感谢您选择艾贝小卫宝。

请在使用本产品之前认真阅读此产品安装使用说明书，并妥善保存，以备查询。

您也可以访问www.kohler.com.cn获得电子版说明书或关注科勒净水公众号了解产品最新详细信息。



微信扫码
关注科勒净水



微信扫码
了解更多产品详情

一、产品功能

- 国际流行最新款式，外观新颖。
- 内胆采用优质钢板及先进的涂搪技术，使内胆抗腐并更有效的延长寿命。
- 超大铝合金温控旋钮，方便操作，双色指示灯，清晰显示设备运行状态。
- 采用内置隔电墙技术，保护您和您家人的安全。
- 适应水压范围广。
- 一级能效，落地式安装，方便快捷。

二、注意事项

为保证使用安全，避免造成人身安全和财产损失，请务必遵守以下安全注意事项。

❗ 表示强制施行的内容 ⚡ 表示必须禁止的内容 ⚠ 表示必须注意的内容

- ❗ 必须由科勒售后服务人员或科勒授权维修人员进行安装、服务。对于自行安装或使用自备的安装材料安装本产品，由此导致的包括但不限于管路泄漏、坠机、安装不良影响本产品的正常运行和使用性能，和对本产品本体造成不良影响或损坏等后果以及因此产生的一切损失，本公司恕不承担任何责任。
- ❗ 电热水器必须可靠接地！须与具有良好接地的、单独的、不带开关的固定的电源插座相连，必须使用220V~50Hz电源。
- ❗ 电热水器的安装应使用随机附带的配件，安装人员不应随意更换、省略和改制。
- ❗ 本机的安装必须有独立的固定的电源插座及可靠接地。单独固定的电源插座的位置应置于不会产生触电危险的安全位置，尤其是保证安装在水不能喷溅到的地方。
- ❗ 固定的电源插座的额定电流值不低于电热水器的额定电流值；固定的电源插座的结构应与待装电热水器的漏电保护插头相匹配，固定的电源插座及漏电保护插头应保持干燥，以防漏电。
- ❗ 通过视检并用专用测量装置（相位仪、试电笔、接地电阻仪等）检查电热水器使用的单独固定的电源插座，确保火线和零线的安装正确、接地可靠。详细检查电能表、电线和单独固定的电源插座容量等是否满足电热水器的要求。
- ❗ 漏电保护插头必须可靠，若出现动作不灵敏或不动作情况，应禁止使用。
- ❗ 如果发现用电环境接地不正常，请拔下电热水器插头，停止使用，并联系专业人员处理。
- ❗ 如果电源软线损坏，为了避免危险，必须由制造商、其维修部或类似部门的专业人员更换。此外不要将汽油等易燃物品放置在热水器附近，否则可能会引起火灾。
- ❗ 对电热水器进行维修保养前，请务必切断电源。
- ❗ 装机附近必须有足够排水量的地漏，以免在通电加热期间电热水器内胆水压增大或使用自来水水压过大时，通过安全阀泄压的出水无法排走。
- ❗ 寒冷地区冬季若长期不使用请将水排空以防结冰损坏热水器。
- ❗ 在本机进冷水口处，必须安装规格为0.8MPa的随机附带的的安全阀；并定期开启手动排泄动作（每季度一次），以去掉碳酸钙沉积，并且证明没有堵塞。动作方法：将排泄手柄向上扳动至水平位置，若有水从泄压口流出，则证明没有堵塞；如无水流出，注意须将排泄手柄复位，并通知我司维修人员检修。**安全阀为密封垫端面密封，在与产品的进水口装配时不采用生料带密封。**

- ③ Inspection and replacement of magnesium rod (as shown in the right picture):
In order to protect the liner and heating pipe, it is necessary to regularly check and replace the magnesium rod, which shall be replaced every 24 months.
- ④ Liner cleaning:
According to different water quality, the liner of the water heater shall be cleaned regularly every 6 months to 1 year (the period is shorter in places with more sediment) to discharge the sediment and other dirt in the liner. The specific operation method is as follows: before cleaning, cut off the power supply and turn off the water inlet valve; disassemble the water mixing valve and safety valve of the product and then turn the whole machine over 180° to empty it (please contact the After-sales Department of the Company because of the complicated operation); After emptying and cleaning, reinstall the whole machine, safety valve and water mixing valve.
According to the actual situation, fill the water heater with water and repeat the above steps until it is determined that all the dirt in the liner is discharged (the water heater must be filled with water before being connected to the power supply again).

7. ACCESSORIES LIST

After opening the packing box, please check the accompanying accessories and materials according to the following table.

Please keep the instructions manual and warranty card properly for your future use and maintenance. Packing list is as follows:

Name	Quantity	Name	Quantity
Electric water heater	1 set	Operating Instructions	1 copy
Safety valve	1 pc	Drainage hose	1 pc
Tie	1 pc	Mesh gasket	1 pc

8. FAULTS AND ELIMINATING METHODS

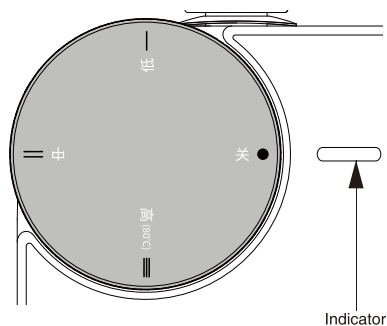
Phenomenon	Cause analysis	Solutions
No water flows out of the hot water outlet	The water supply system stops supply or the water pressure is too low	Check the water pipeline
	Inlet valve not turn on properly or outlet valve failed	Open the inlet valve or replace the outlet valve
The effluent is cold water (the indicator light is not on)	Power outage or no electricity in the power socket	Check the power supply line
	Leakage protector tripping	Press the Reset button on the leakage protection plug (see page 9)
	Not above	Call the service hotline

(2) In order to avoid danger, any damaged power cord must be replaced by professionals from the manufacturer, its maintenance department or similar departments. Moreover, do not place flammable items such as gasoline near the water heater, otherwise it may cause a fire.

2. How to operate

Turn the temperature control knob clockwise, and the temperature of the water heater can be set from low to high (about 30~80°C). When the "关" word on the temperature control knob is turned until it is flush with the heating indicator, it indicates that the water heater has stopped heating. When the "高" word of the temperature control knob is turned until flush with the heating indicator, it indicates that the heating temperature of the water heater is set to high. If the setting temperature exceeds 50°C, it may cause burns and it must be mixed with cold water before use.

3. This machine can automatically control the temperature. When the water temperature in the water heater is lower than the set temperature, the water heater will start heating, and the indicator will light up in red. When the water in the water heater reaches the set temperature, it will stop heating, and the indicator will light up in white; after a period of time, the temperature in the water heater will gradually decrease. When it drops to the set temperature, the water heater will start heating again and the indicator light will light up in red. When it reaches the set temperature again, the water heater will stop heating again and the indicator will light up in white and so on.



Tip: Hot water can be used in heating or heat preservation state.

4. If the tap water pressure is too high, water will drop from the pressure relief opening of the safety valve, which is a normal phenomenon, indicating that the system is relieving itself of excessive pressure.

6. MAINTENANCE

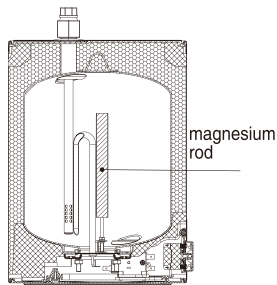
In order to prolong the service life and ensure the high efficiency of the heater, the electric heater can be maintained in the following ways (it must be operated by professional personnel):

1. Clean the heating elements regularly (according to the local water quality) and remove the scale stuck on the electric heating tube;
2. In areas with high scaling, users can install an anti-scaling device at the front end of (cold) water inlet pipes by themselves.

3. ① External cleaning: the power supply must be cut off before the water heater is cleaned. Dip a damp cloth in a small amount of neutral detergent and gently wipe it. Do not use gasoline or other solutions. Finally, dry it with a dry cloth and keep the water heater dry. Be careful not to scrub with cleaning agents containing abrasives (such as toothpaste), acids, chemical solvents or polish.

② Internal cleaning:

In order to keep the water heater working efficiently, the heating pipe and liner shall be cleaned every two years. Please be careful not to damage the protective layer on the surface of the electric heating pipe. For maintenance, please contact the local maintenance department.



⊘ 使用其他热水器的出水做为本热水器的进水时, 进水温度不得超过75°C。

⊘ 严禁安装在易燃气体可能会发生泄漏的地方或有强烈腐蚀性气体的环境。

⊘ 严禁安装在强电、强磁场直接作用的地方。

⊘ 严禁安装在阳光直射、雨淋、风吹的地方。

⊘ 严禁安装在易产生振动的地方。

⊘ 避开安装有燃气灶、微波炉、有塑料外壳的洗衣机等易引起火灾的电器上方。

⊘ 安全阀的泄压口温度可能会对你的身体造成烫伤。

⚠ 为便于日后维修、保养、移机等, 电热水器安装位置必须预留出一定的空间。

⚠ 给用户安装连接使用的管材、管件必须是符合国家相关标准, 并经过热水器厂家同意或指定的管材、管件。如在管道上增加单向阀门, 则在单向阀门的后面必须安装符合标准容积和压力的膨胀水箱。

⚠ 电热水器外接水管使用承压 $\geq 0.9\text{MPa}$ 、耐热大于 90°C 的优质PPR水管。

⚠ 尽量缩短电热水器与取水点之间的长度, 以减少管路热量损失。

⚠ 适用最大进水压力: 0.8MPa , 最小压力: 0.05MPa 。若进水压力超过 0.8MPa , 泄压阀会泄压, 有水从导流管流出, 建议在进水管道上安装一减压阀; 若进水压力低于 0.05MPa , 请在进水管道上安装一增压泵。

⚠ 本产品中输入电压 $180\text{--}240\text{V}$ 、进水压力 $0.05\text{MPa}\text{--}0.8\text{MPa}$ 以及海拔 2000m 以下可

正常使用, 超出此工作环境范围会造成故障或损伤。

⚠ 首次使用或排水后再使用, 必须先将电热水器注满水 (即出水口有水流), 才通电加热。注水时电热水器出水口至少有一出水龙头打开, 以排空气, 注满水后可关闭此水龙头。

⚠ 在通电加热期间, 安全阀可能会有水珠滴下, 此属正常现象。请注意单向安全阀的泄压口温度较高, 以免烫伤身体。千万不能将此泄压口堵塞, 以免造成电热水器内胆爆裂以致漏水。

⚠ 当安全阀泄水为点滴状时是正常现象, 若泄水为喷射状或带有响声时, 应立即切断电源和水源, 通知本公司售后服务部为您维修。

⚠ 连接到泄压口上的排泄管应保持向下倾斜安装在无霜的环境中, 并确保与大气相通, 排泄管附近必须有足够排水量的地漏, 以免无法排水。

⚠ 如果设置温度超过 50°C , 可能会造成烫伤, 必须混合冷水后才能使用。

⚠ 冬天, 在寒冷易结冰的地区, 长时间不用时, 应将电热水器内的水排空, 并将漏电保护插头拔出。

⚠ 没有自来水供应时, 不得使用电热水器内的储水。

⚠ 儿童使用电热水器淋浴或洗漱时, 应在成人的操作指导下进行。

⚠ 器具不建议由有肢体、感官或精神能力缺陷或缺少使用经验和知识的人 (包括儿童) 使用, 除非有负责他们安全的人对他们进行与器具使用有关的监督或指导。应照看好儿童, 确保他们不玩耍本器具。

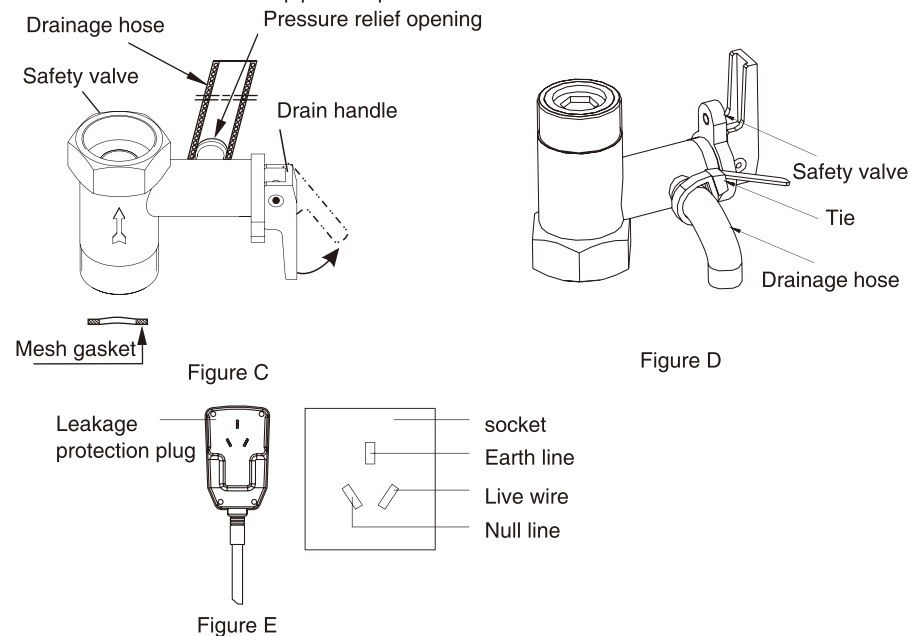
三、产品规格

艾贝小卫宝	
产品名称	储水式热水器
SKU	K-28982T-STA06-01R
型号	STA06
额定电压及频率	220V~,50Hz
额定功率	1650W
额定压力	0.8MPa
防触电保护类型	I类
设置温度范围	约30°C~80°C
防水等级	IPX4
能效等级	1级
热水输出率 (μ)	≥70%
24小时固有能耗系数 (ε)	≤0.6
额定容量	6.8L
适用范围	市政用水
产品尺寸	246×242×345mm(L*W*H)
包装尺寸	315×315×485mm(L*W*H)
安全阀型号及规格	0.8MPa/0.8±0.05MPa
净重/毛重	5.8kg/7.2kg
责任单位	科勒 (中国) 投资有限公司 上海市静安区市北工业园区江场三路158号 服务热线:8008202628手机用户: 4008202628
实际生产企业	实际生产企业: 广东奥荣电器有限公司 佛山市顺德区均安镇南沙均南路一号
产品执行标准	GB 4706.1-1998 GB 4706.12-2006 GB 21519-2008 Q31/010600060C030-2021

注: 以上参数 (重量、尺寸) 误差范围为±10%。

- (1) The pipeline connection and direction shall be reasonable, with no water leakage at each joint;
- (2) The electrical configuration shall be safe and correct, and the power plug and socket of the water heater shall match closely;
- (3) Mechanical connection shall be firm and reliable;
- (4) The use function shall be well realized, and the control parts shall run properly;
- (5) The water heater shall be commissioned according to this manual;

⚠ Warning: The water inlet pipe and hot water outlet pipe of the water heater must be nonmetallic pipes with a pressure ≥ 0.9 MPa and a temperature $\geq 90^\circ\text{C}$, such as PPR pipes, while conductive pipes are prohibited.

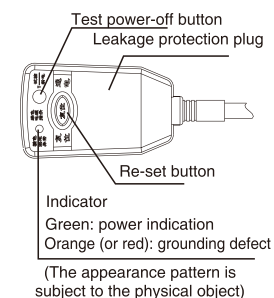


5. HOW TO USE

1. Plug the power plug into the power socket to power on the water heater. At this time, the indicator lights up in red, indicating the water heater is in a heating state. When the temperature of the water heater reaches the set temperature, the indicator will change from red to white, indicating the heat preservation state and heating stopped.

Note:

- (1) Check the reliability of the leakage protection plug: press the test power-off button on the leakage protection plug, the indicator light shall go out and the re-set button shall pop up; press the re-set button again, the indicator shall light up in green, which indicates that the leakage protection performance is good. In the normal state, the indicator lights up in green. In case of defects in grounding system, the indicator lights in orange (or red). At this time, please unplug the leakage protection plug and notify the professional maintenance personnel for handling.



- ⚠ Please install the water heater indoors, not outdoors.
- ⚠ The installation method is upper water outlet installation (water pipe facing up).
- ⚠ This product can be used normally under the input voltage of 180-240V, inlet pressure of 0.05MPa-0.8MPa, and altitude of 2000m. Failure or damage may occur if the operating environment exceeds this range.

1. This water heater is floor mounted. During installation, the water pipe shall face upwards and the water heater shall be placed on a horizontal plane with a bearing capacity of more than 27kg. A circle of silica gel shall be applied at the bottom of the water heater to fix the water heater on the installation plane (refer to Figure A)
The installation position shall ensure enough movement allowance above the water heater for future maintenance.
2. It must be installed by after-sales personnel of Kohler or professional personnel authorized by Kohler.

Step 1: Water pipe connection

- (1) All pipe threads are G1/2 (as shown in Figure B, except the sewage outlet) and a mesh gasket is installed at the water inlet of the safety valve (as shown in Figure C) (if a water mixing valve is installed, a mesh gasket shall be installed at the water inlet of the water mixing valve). Corresponding sealing measures shall be taken to ensure the sealing of the threaded connection of water pipes and the connection of water pipes. After the installation, fill the container of electric water heater with water: open any outlet faucet at the outlet of electric water heater and then open the inlet valve (if equipped with a water mixing valve, please switch the handle of the water mixing valve to the high temperature position). At this time, the electric water heater starts to fill water. When water flows out of the outlet faucet, it means that the water is full and then turn off the outlet faucet (or switch the handle of the water mixing valve to the closed position). The relief hole of the safety valve must be fitted with the drainage hose provided by the Company and fixed with a tie (Figure D).

- ⚠ The mesh gasket must be installed where it is needed. Do not miss it!
- ⚠ The water inlet valve shall be in an open state during normal use.
- (2) In order to avoid the heat loss of the pipeline, the installation point shall be as close as possible to the water use point.
- ⚠ Note: If the tap water pressure used by users is > 0.8 MPa, that is, when the safety valve often discharges water for pressure relief, a pressure reducing valve shall be installed in front of the water inlet pipe, which shall be installed as far away as possible from the electric water heater.

Step 2: Power supply connection

- (1) To ensure the safety, the water heater shall use 10A/250VT independent standard three hole socket which meets the requirements of national standards, and be reliably grounded. Tap water pipe and the like shall not be used instead of grounding bodies. Make sure that the live wire and null wire of the power socket are connected correctly. Only after the machine is filled with water, all joints are free of water leakage and the power supply meets the requirements can it be powered on for heating. The ground wire is forbidden to be live, otherwise an electric shock accident will occur. (Figure E)
- (2) Before use, check whether or not the current of the machine matches the capacity of the power grid in detail.
Note: ① When the water heater is not filled with water, do not power it on for heating.
② The power socket shall be installed in a position where water will not splash.
③ There will be water drops during use and the drainage hose shall be connected to a floor drain with sufficient displacement.

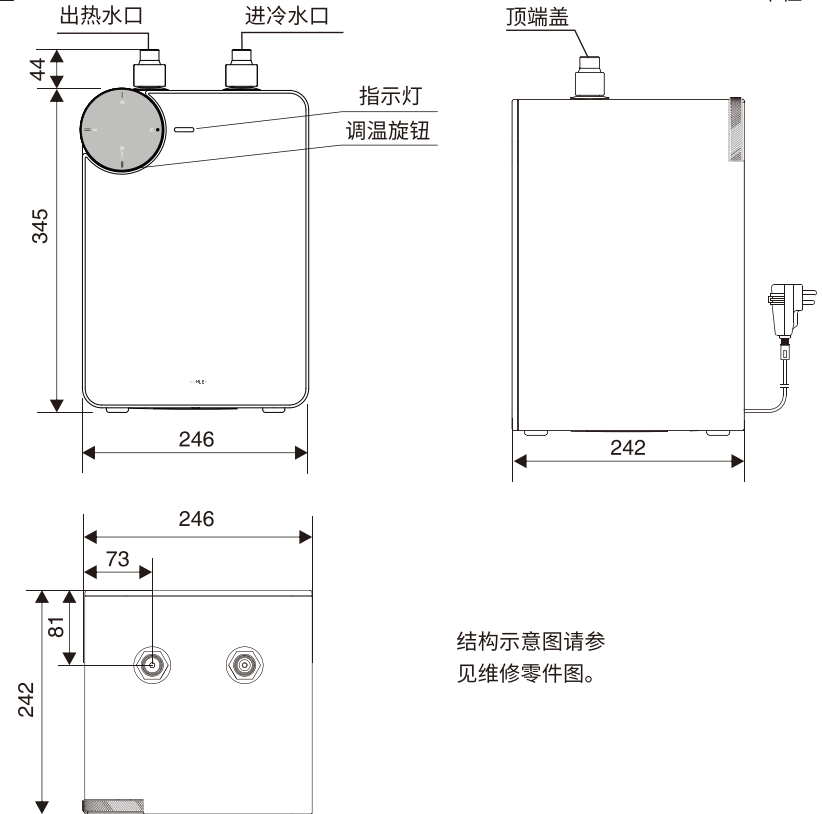
Step 3: Check and run

After the installation of the water heater, check the installation and pay special attention to:

尺寸图

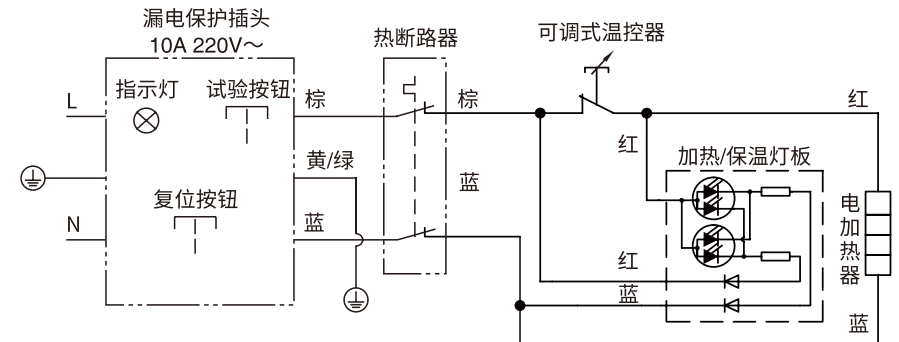
参考值

单位：毫米

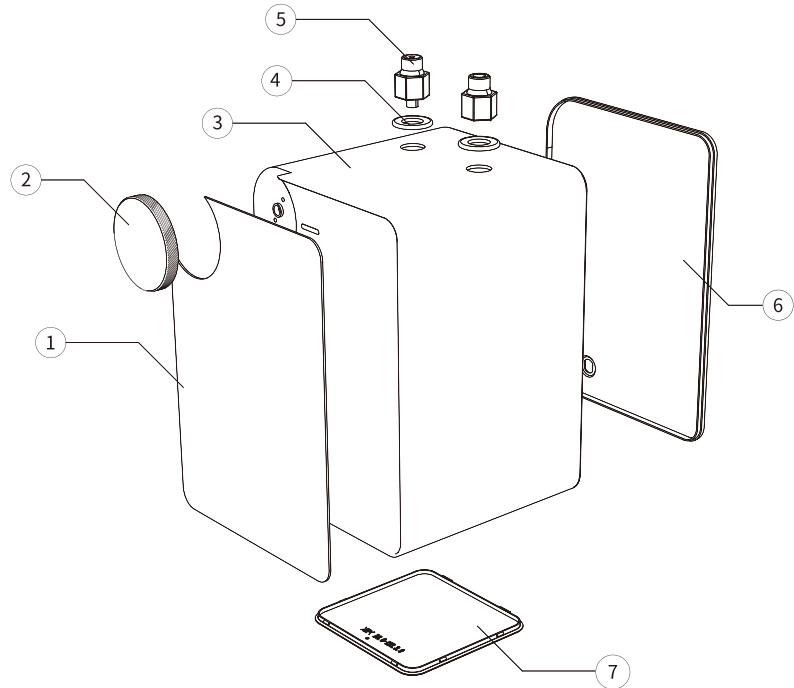


科勒公司保留随时变更图中标示尺寸的权利，无需另行通知。

电路图

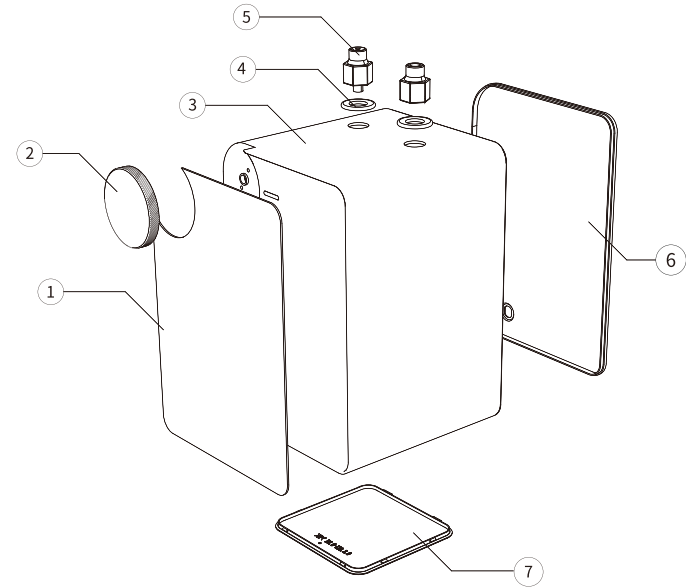


爆炸图



序号	名称	序号	名称
1	亚克力装饰板	5	隔电墙
2	旋钮	6	背盖
3	主体	7	底盖
4	垫圈		

Exploded view



S/N	Name	S/N	Name
1	Acrylic decorative board	5	Electric insulation wall
2	Knob	6	Back cover
3	Main body	7	Bottom cover
4	Washer		

4. HOW TO INSTALL

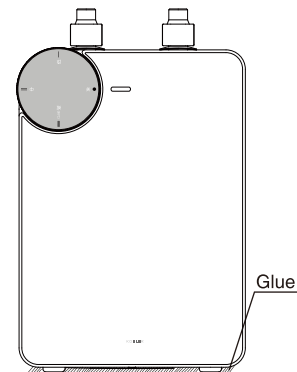


Figure A

The shaded area in Figure A is the gluing area

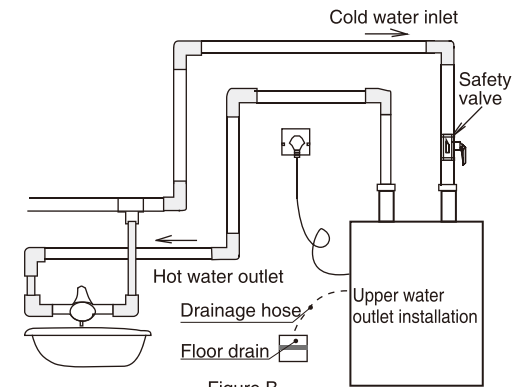


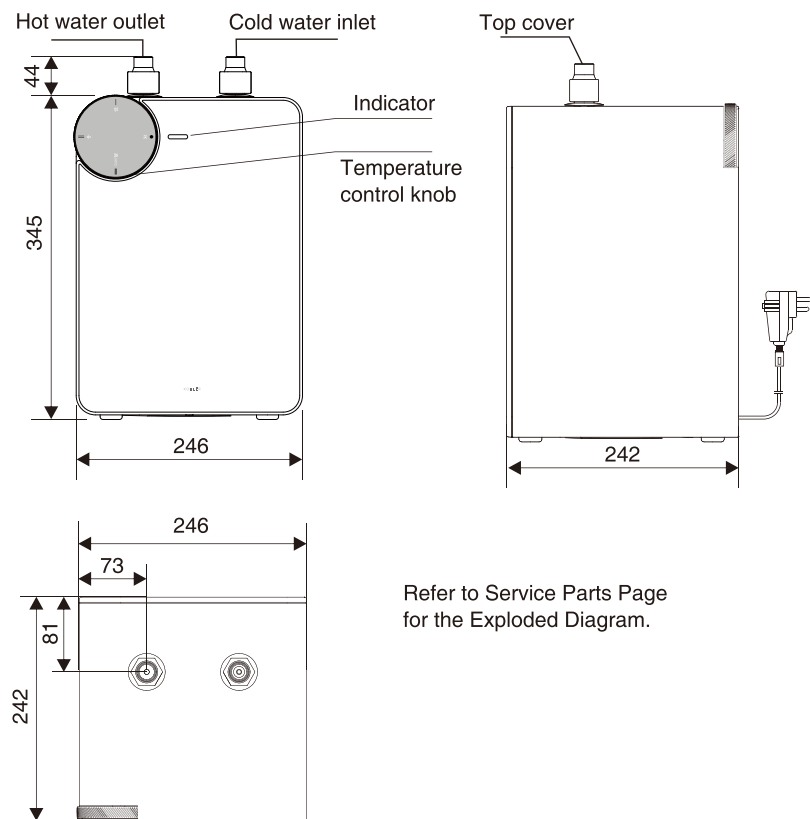
Figure B

Take the illustration in Figure B as an example. This is the installation diagram of upper water outlet. See the physical object for details.

Dimension Diagram

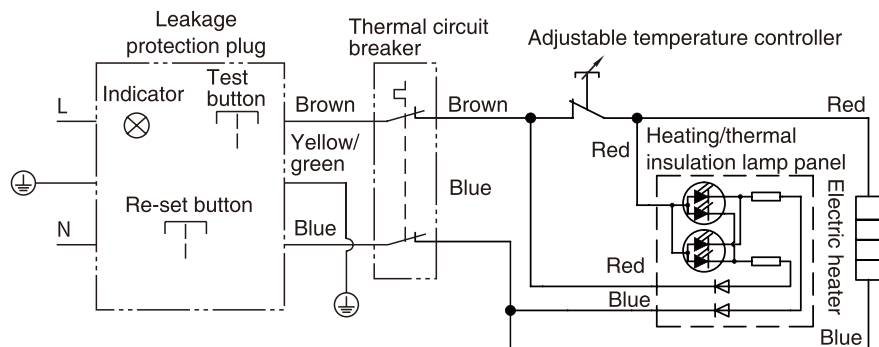
Reference Value

UNIT: mm

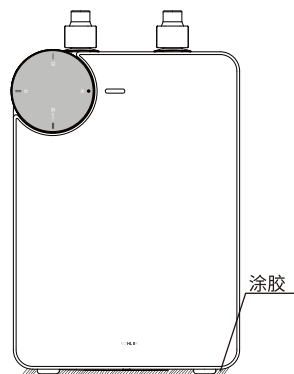


Kohler reserves the right to change marked dimensions without prior notice.

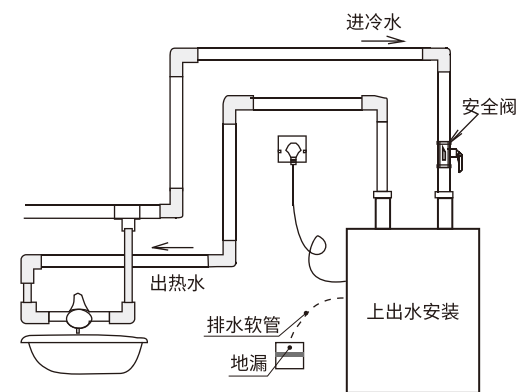
Electrical Diagram



四、安装方法



图A 阴影部分为打胶区域



图B 以图示为例，此为上出水安装示意图，具体见实物。

△ 请将热水器安装在室内，不可安装在室外。

△ 安装方式为上出水安装（水管朝上）。

△ 本产品在输入电压180~240V、进水压力0.05MPa~0.8MPa以及海拔2000m以下可正常使用，超出此工作环境范围会造成故障或损伤。

1. 本热水器为落地式安装。安装时水管须朝上，将热水器置放在可承重27kg以上的水平面上，在热水器底部打一圈硅胶将热水器固定在安装平面上（参考图A）。安装的位置要保证热水器上方足够的活动余量，以便日后维修。
2. 必须由科勒公司售后人员或科勒授权的专业人员进行安装。

步骤一：水管连接

(1) 所有管螺纹均为G1/2（如图B，排污口除外），在安全阀进水口处装上带网密封垫（如图C）

（如装有混水阀的，在混水阀的进水口装上带网密封垫），水管螺纹连接处及水管的连接用相应的密封措施以保证密封。安装完后将电热水器容器注满水：打开电热水器出水口处的任一出水龙头，再打开进水阀（如装有混水阀的，请将混水阀的手柄旋至高温位置），此时电热水器开始充水，待出水龙头正常出水时，表示水已注满，即可关闭出水龙头（或将混水阀的手柄旋至关闭位置）。安全阀的泄压孔必须安装我司配备的排水软管、并用扎带固定（图D）。

△ 需要安装带网密封垫的地方必须安装，不可漏装！

△ 进水阀在正常使用时要处于打开状态。

(2) 为了避免管道热量损失，安装点与用水点尽量接近。

△ 注意：若用户使用的自来水压>0.8MPa时，即安全阀经常泄压出水时，则进水管前还需安装一减压阀，此减压阀尽量安装在远离热水器的地方。

步骤二：电源连接

(1) 为确保安全，热水器应使用符合国家标准要求的10A/250V~独立标准三孔插座，并进行可靠接

地，不得用自来水管等代替接地体。应确保电源插座的火线、零线接线正确，在确认机内已经注满水，各接头无漏水和电源符合要求后，才可通电加热。地线上严禁带电，否则会发生电击事故。(图E)

(2) 在使用之前，要详细检查本机的电流与电网容量是否匹配。

注意：① 热水器未注满水，不可接通电源加热。

② 电源插座应安装在水不会溅到的位置。

③ 使用中会有水滴出，排水软管应接到有足够排水量的地漏。

步骤三：检查及运行

热水器安装完毕后，应检查安装工作，特别注意：

(1) 管路连接、走向应合理，各连接处无渗漏水现象；

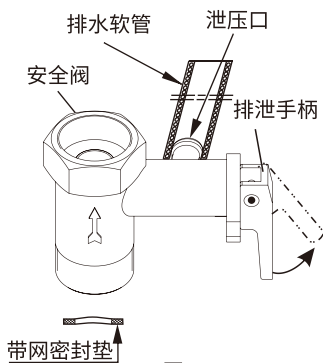
(2) 电气配置应安全、正确，热水器的电源插头与插座配合紧密；

(3) 机械连接应牢固、可靠；

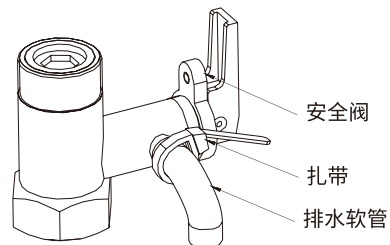
(4) 使用功能应能良好实现，控制部件正常运行；

(5) 热水器应按照本手册进行试运行；

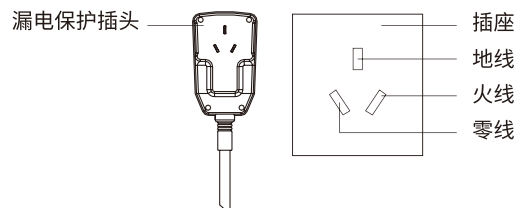
△ 警告：热水器进水管和热水出水管必须使用耐压 $\geq 0.9\text{MPa}$ 、耐温 $\geq 90^\circ\text{C}$ 的非金属管，例如：PPR管，不采用可导电管道。



图C



图D



图E

3. PRODUCT SPECIFICATIONS

URBANITY GROOMING WATER HEATER	
Name	Electrical Storage Water Heater
SKU	K-28982T-STA06-01R
Model	STA06
Rated voltage and frequency	220V~,50Hz
Rated Power	1650W
Rated pressure	0.8MPa
Type of Protection against Electric Shock	Class I
Set temperature range	About 30°C~80°C
IP Grade	IPX4
Energy efficiency grade	Level 1
Hot water output rate (μ)	$\geq 70\%$
24-hour inherent energy consumption coefficient (ϵ)	≤ 0.6
Rated capacity	6.8L
Range of Application	Municipal water
Product size	246×242×345mm(L*W*H)
Packing size	315×315×485mm(L*W*H)
Model and specifications of safety valve	0.8MPa/0.8±0.05MPa
Net weight/gross weight	5.8kg/7.2kg
Responsible Unit	KOHLER CHINA INVESTMENT CO., LTD No.158 Jiangchang Third Road, Shibei Industrial Park, Jing'an District, Shanghai Service hotline: 8008202628; Mobile phone users: 4008202628
Actual production enterprise	Actual manufacturer: Guangdong Aorong Electric Appliance Co., Ltd., No.1, Nansha Junnan Road, Jun'an Town, Shunde District, Foshan City
Product standards	GB 4706.1-1998 GB 4706.12-2006 GB 21519-2008 Q31/010600060C030-2021

Note: The error range of the above parameters (weight, size) is $\pm 10\%$.

⚠ For first use or use after emptying the water, the electric water heater must be filled with water (that is, water flows out from the outlet) before being powered on for heating. At least one tap of the water outlet of the electric water heater is opened to discharge air during water filling and this tap can be turned off after water is full.

⚠ During the heating, water drops may drip from the safety valve, which is a normal phenomenon. Please pay attention to the high temperature at the pressure relief opening of the one-way safety valve to avoid scalding your body. Never block the pressure relief opening to avoid water leakage caused by the bursting of the electric water heater liner.

⚠ It is normal for the safety valve to discharge water in drip form. If the water discharge is by spraying or with noise, please immediately cut off the power supply and water supply and inform the After-sales Service Department of the Company for repair.

⚠ The drainage hose connected to the pressure relief port shall be installed in a frost-free environment with downward inclination and be connected to the atmosphere. There must be a floor drain with sufficient displacement near the drain pipe to drain the water.

⚠ If the setting temperature exceeds 50°C, it may cause burns and it must be mixed with cold water before use.

⚠ In winter, when it is not used for a long time in cold and icy areas, the water in the electric water heater shall be drained and the leakage protection plug shall be unplugged.

⚠ When there is no tap water supply, do not use the water stored in the electric water heater.

⚠ When children use electric water heaters to shower or wash, they shall be supervised by adults.

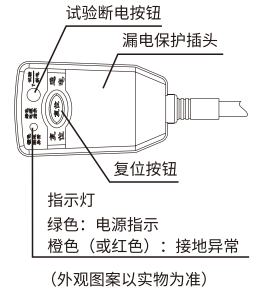
⚠ This appliance is not recommended to be used by those (including children) who have physical, sensory or mental disability or are lacking in experience and knowledge in its use, unless they are supervised or instructed by someone responsible for their safety during the use of this appliance. Children shall be taken care of to ensure that they do not play with this appliance.

五、使用方法

1. 将电源插头插入电源插座给热水器通电，此时指示灯亮红色，表示热水器处于加热状态，当热水器温度达到设定温度后，指示灯会从红色变为白色，进入保温状态。

注意：

- (1) 检查漏电保护插头的可靠性：按一下漏电保护插头上的试验断电按钮，指示灯应熄灭，复位按钮弹起；再按下复位按钮，指示灯点亮绿色，证明漏电保护性能良好。在正常状态下指示灯显示绿色。在接地系统异常时指示灯显示橙色（或红色），此时请拔下漏电保护插头，通知专业维修人员处理。
- (2) 如果电源软线损坏，为了避免危险，必须由制造商、其维修部或类似部门的专业人员更换。此外不要将汽油等易燃物品放置在热水器附近，否则可能会引起火灾。



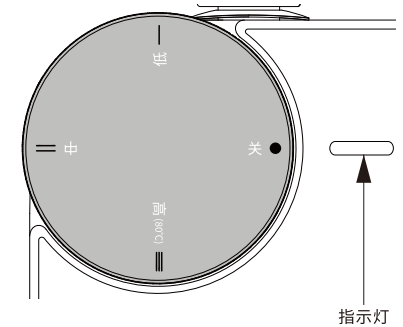
2. 操作方法

调温旋钮按照顺时针方向旋转，热水器温度可从低至高进行设定（约30~80°C），将调温旋钮旋的“关”字旋转至加热指示灯平齐时，表示停止热水器加热。将调温旋钮旋的“高”字旋转至加热指示灯平齐时，表示热水器加热温度设定为高。设置温度超过50°C，可能会造成烫伤，必须混合冷水后才能使用。

3. 本机可自动控温，当热水器内的水温低于设定温度时，热水器开始加热，指示灯显示红色，当热水器内的水达到设定温度时，将停止加热，指示灯显示白色；过一段时间后，热水器内的温度会逐渐下降，当下降到设定温度时，热水器又开始加热，指示灯显示红色，当再次达到设定温度后，热水器再次停止加热，指示灯显示白色，如此循环往复。

提示：在加热或保温状态，都可以使用热水。

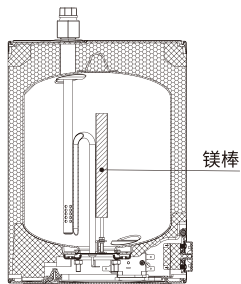
4. 若自来水水压过高时，安全阀泄压口会有水滴出，这是正常现象，表明系统正在泄除过高压力。



六、维护修养

为延长使用寿命，保证热水器一直以较高的效率工作，可按下述方法对电热水器进行维护保养（必须由专业人士进行操作）：

1. 定期（根据当地水质情况）清理发热元件，清除粘结在电热管上的水垢；
2. 在高水垢地区，用户可自行在进（冷）水管前端加装防垢装置。
3. ① 外部清洗：清洗热水器前必须切断电源。用湿布蘸取少量中性清洗剂轻轻擦拭，不要用汽油或其他溶液。最后用干布擦干，保持热水器干燥。注意不要用含有研磨剂（例如牙膏）、酸性物、化学溶剂或擦光剂的清洁擦洗。



- ② 内部清洗：
为保持热水器能够高效率的工作，每两年应清洗一次加热管和内胆，请小心别损坏电热管表面的保护层。若需保养，请与当地维修部门联系。
- ③ 镁棒的检查与更换（如右图）：
为保护内胆及加热管，需定期检查和更换镁棒，每使用24个月，需要更换一次镁棒。
- ④ 内胆清洗：
根据水质情况的不同，每6个月~1年（含泥沙多的地方周期要短）需定期对热水器进行内胆清洗，以排出内胆中的泥沙及其他脏物，具体操作方法如下：清洗前一定要先切断电源，关闭进水阀；再将产品的混水阀及安全阀拆卸下来，再把整机翻转180°即可排空（因操作复杂，请与本公司售后部门联系）；排空清洗后，把整机、安全阀及混水阀重新安装好。根据实际情况，再将热水器充满水，重复上述的步骤，直至确定内胆中的污物被全部排出（当再次接上电源前，必须先让热水器注满水）。

七、装箱清单

打开包装箱后请按下表清点随机附件及资料。

请妥善保管使用说明书、保修卡等，以利于您日后的使用、维修。

装箱清单如下：

名称	数量	名称	数量
电热水器	1 台	使用说明书	1 份
安全阀	1 只	排水软管	1 根
扎带	1 根	带网密封垫	1 只

⚠ There must be a floor drain with sufficient displacement near the installation site to discharge the water released by the safety valve in case the water pressure in the electric water heater tank increases or the tap water pressure is too high during the power-on heating.

⚠ In cold areas, if the water heater is not used for a long time in winter, please drain the water to prevent damage to the water heater due to freezing.

⚠ At the cold water inlet of this machine, a 0.8MPa safety valve must be installed; And start the manual drainage regularly (quarterly) to remove the calcium carbonate deposit and ensure that there is no blockage. Action: pull the drain handle upward to the horizontal position. If water flows out of the pressure relief opening, this means that there is no blockage; if no water flows out, pay attention to resetting the drain handle and notify our personnel for maintenance. The safety valve is sealed by the gasket on sealing face and PTFE tape is not used for sealing when assembling with the water inlet of the product.

⚠ When the water from other water heaters is used as the inlet water of this water heater, the inlet water temperature shall not exceed 75°C.

⚠ It is strictly forbidden to install the heater in places where flammable gases may leak or in an environments with strong corrosive gases.

⚠ It is strictly forbidden to install the heater in places where strong electricity and strong magnetic field directly interact.

⚠ It is strictly forbidden to install the heater in places directly exposed to sun shine, rain and wind.

⚠ It is strictly forbidden to install the heater in places prone to vibration.

⚠ Not install the heater on the top of appliances that can easily cause fire, such as gas stove, microwave oven and washing machine with plastic casing.

⚠ The high temperature steam or water at the pressure relief opening may cause burns to your body.

⚠ In order to facilitate future maintenance, service, relocation, etc., a certain space must be reserved at the installation position of the electric water heater.

⚠ The pipes and fittings installed and connected to users must conform to the relevant national standards and be approved or designated by the water heater manufacturer. If a one-way valve is added to the pipeline, an expansion tank with the volume and working pressure one that meets standard requirements installed after the one-way valve.

⚠ High-quality PPR water pipes with a working pressure $\geq 0.9\text{MPa}$ and heat resistance greater than 90°C shall be used for external water pipes of the electric water heater.




⚠ Try to shorten the length between the electric water heater and water point of use to reduce the heat loss of the pipeline.


⚠ Applicable maximum inlet pressure: 0.8 MPa, minimum pressure: 0.05 MPa. If the inlet pressure exceeds 0.8 MPa, the pressure relief valve will release the pressure and water will flow out of the drain hose. It is recommended to install a pressure relief valve on the inlet pipe; if the inlet pressure is lower than 0.05 MPa, please install a booster pump to the inlet pipe.


⚠ This product can be used normally under the input voltage of 180-240V, inlet pressure of 0.05MPa-0.8MPa, and altitude of 2000m. Failure or damage may occur if the operating environment exceeds this range.


2. PRECAUTIONS


To ensure safe use and avoid personal injury and property loss, please be sure to observe the following safety precautions.


-  Indicates the contents of enforcement.
  Indicates the content that must be prohibited.
  Indicates the contents of what must be paid attention to.


 Installation and service must be carried out by Kohler after-sales service personnel or its authorized maintenance personnel. The Company will not take any responsibility for the consequences caused by installing this product by oneself or by using self-provided installation materials, including but not limited to pipeline leakage, unit falling and poor installation that affect the normal operations and performance of this product, as well as adverse effects or damage to the product and all the losses caused thereby.


 The electric water heater must be reliably grounded! It must be connected to a well-grounded, separate and fixed power socket without switch and a 220V~/50Hz power supply must be used.


 The electric water heater shall be installed with the accompanying accessories and the installer shall not replace, omit or reform it without permission.


 An independent fixed power socket and reliable grounding must be provided for the installation of this machine. The separately fixed power socket shall be set in a safe position without electric shock, especially in a place where water cannot splash.


 The rated current value of the fixed power socket shall not be lower than that of the electric water heater; the structure of the fixed power socket shall match the leakage protection plug of the electric water heater to be installed and the fixed power socket and leakage protection plug shall be kept dry to prevent leakage.

 Check the separately fixed power socket used by electric water heater through visual inspection and special measuring devices (phase meter, electroprobe, grounding resistance meter, etc.) to ensure the correct installation and reliable grounding of the live wire and null wire. Check in detail whether or not the capacity of the energy meter, wire and separately fixed power socket can meet the requirements of the electric water heater.

 The leakage protection plug must be reliable and it is forbidden to use it in case of insensitivity or inaction.

 If the grounding of the electricity environment is found abnormal, please unplug the electric water heater to stop use and contact a professional personnel for handling.

 In order to avoid danger, any damaged power cord must be replaced by professionals from the manufacturer, its maintenance department or similar departments. Moreover, do not place flammable items such as gasoline near the water heater, otherwise it may cause a fire.

 Before repairing the electric water heater, be sure to cut off the power supply.

八、故障及其处理方法


故障现象	原因分析	处理方法
热水口不出水	供水系统停水或水压太低	检查水路
	进水角阀未打开或出水阀故障	打开进水角阀或更换出水阀
出水为冷水 (指示灯不亮)	停电或电源插座无电	检查供电线路
	漏电保护器跳开	按下漏电保护插头上的复位按钮 (参见第9页)
	非以上现象	拨打服务热线
出水为冷水 (指示灯为白色)	加热温度设置过低或关	将调温旋钮调到高温区
	非以上现象	拨打服务热线
出水为冷水 (指示灯为红色)	加热时间太短	继续加热
	非以上现象	拨打服务热线

注意：您的热水器如有异常情况不能正常使用，请按“故障及其处理方法”进行处理。如有电器方面的问题请与本公司指定特约维修部联系，由专业人员进行维修。

九、有害物资清单

产品中有害物质的名称及含量 (储水式电热水器)						
部件名称	有害物质					
	铅 (Pb)	汞 (Hg)	镉 (Cd)	六价铬 (Cr (VI))	多溴联苯 (PBB)	多溴二苯醚 (PBDE)
电源线	×	○	○	○	○	○
内部连接线	○	○	○	○	○	○
控制器	×	○	×	○	○	○
加热管	○	○	○	○	○	○
紧固件 (螺钉等)	○	○	○	○	○	○
内胆	○	○	○	○	○	○
外壳	○	○	○	○	○	○
安全阀	×	○	○	○	○	○

本表格依据SJ/T 11364的规定编制。
 ○：表示该有害物质在该部件所有均质材料中的含量均在GB/T 26572规定的限量要求以下。
 ×：表示该有害物质至少在该部件的某一均质材料中的含量超出GB/T 26572规定的限量要求。
 说明：
 1. 以上“×”的部件，部分含有有害物质超过是由于目前行业技术水平有限，暂时无法实现替代或减量化。
 2. 某些型号的产品可能不包含上表中的某些部件，请以实际购买机型为准。

 有害物质限制使用标志	环保使用期限10年：表示本产品中含有的有害物质不会发生外泄或突变，用户在产品说明书所述情况下正常使用本产品不会对环境造成严重污染或对其人身、财产造成严重损害的期限。 箭头循环标志：表示本产品可回收利用。超过使用期限或经过维修无法正常工作后，不应被随意丢弃，请交由正规回收渠道以及有废弃电器电子产品处理资格的企业处理，正确的处理方法请查阅国家或当地有关旧电器电子产品。
--	--

以上标识均依据中国有害物质限制使用管理办法及其配套标准SJ/T 11364要求执行。本产品长期使用不会对人体产生危害，请放心使用。

TABLE OF CONTENTS

1. Product Features.....	1
2. Precautions.....	2
3. Product Specifications.....	5
4. How to Install.....	7
5. How to Use.....	9
6. Maintenance.....	10
7. Accessories List.....	11
8. Faults and Eliminating Methods.....	11
9. List of Hazardous Substances.....	12

DEAR CUSTOMERS

Thanks for choosing us.
 Please read this product installation guide carefully before using our product and keep it properly for future reference.

You may also visit WWW.kohler.com.cn to get the electronic version of the guide or follow the WeChat Official Account of KOHLER for the latest details of the product.



Scan to Follow
 Follow KOHLER
 Purification



Scan to Follow
 Learn more about
 the product

1. PRODUCT FEATURES

- The latest international style with novel appearance.
- The liner is made of high-quality steel plate and advanced enameling technology, so that the liner can resist corrosion and prolong its service life more effectively.
- Super-large aluminum alloy temperature control knob, easy to operate, two-color indicator light, clear display of equipment operating status.
- Built-in electric insulation wall technology to protect your safety and that of your family.
- Wide adaptability to water pressure.
- First-class energy efficiency, floor-mounted installation, convenient and quick.