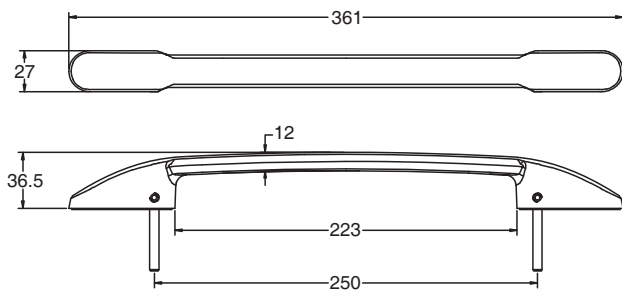


ROUGHING-IN

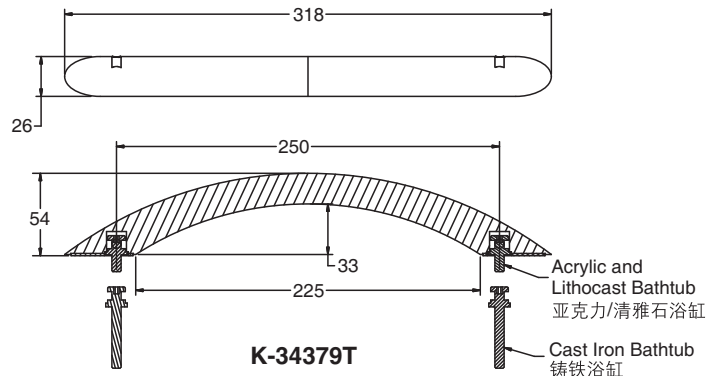
尺寸图

Reference Value
参考值

Unit:mm
单位:毫米



K-36362T



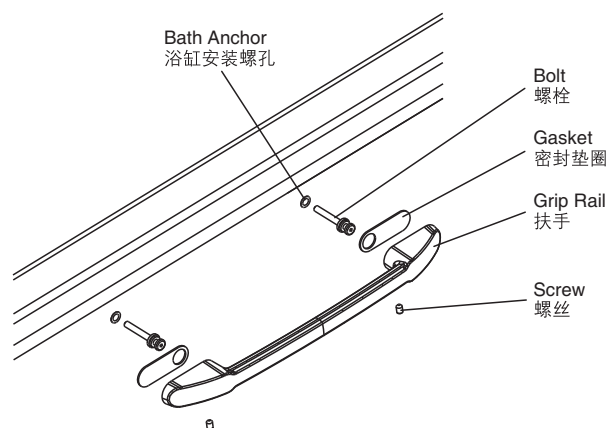
K-34379T

Kohler reserves the right to change marked dimensions without prior notice.
科勒公司保留随时变更图中标示尺寸的权利, 无需另行通知。

INSTALLATION

安装

1. Fasten the bolts to the pre-installed anchors on the tub;
2. Attach the gaskets to the grip rail, and align the gasket holes with the grip rail mounting holes;
3. Make sure the screw holes on the side of the grip rail face down, and align the mounting holes with the bolts fastened to the bath, then attach the grip rail to the bath;
4. If needed, adjust the gaskets so that they match the grip rail perfectly, then tighten the screws into the screw holes on the side of the grip rail.



-** include: -**包括:	
-CP -Polished Chrome -抛光镀铬	-BL -Matte Black -原色黑
-RGD -Polished Rose Gold -玫瑰金	-2MB -Vibrant Brushed Moderne Brass -摩登金
-AF -French Gold -法兰金	

SHANGHAI KOHLER LTD., NO.368, MIN LE ROAD,
FENG XIAN DISTRICT, SHANGHAI, CHINA POST CODE: 201419
上海科勒有限公司 上海市奉贤区民乐路368号 邮编: 201419

CARE AND CLEANING

For best results, keep the following in mind when caring for your KOHLER product:

- Use a mild detergent such as liquid dishwashing soap and warm water for cleaning. Do not use abrasive cleaners that may scratch or dull the surface.
- Carefully read the cleaner product label to ensure the cleaner is safe for use on the material.
- Always test your cleaning solution on an inconspicuous area before applying to the entire surface.
- Do not allow cleaners to sit or soak on the surface.
- Wipe surfaces clean and rinse completely with water immediately after cleaner application. Rinse and dry any overspray that lands on nearby surfaces.
- Use a soft, dampened sponge or cloth. Never use an abrasive material such as a brush or scouring pad to clean surfaces.

护理和清洁

为了长久使用，请在护理您的科勒产品时注意以下几点：

- 使用中性清洁剂，例如液体洗洁精和温水进行清洗。请不要使用研磨清洁剂，以免刮划或使表面变钝。
- 请仔细阅读清洁剂说明以确认其能够在产品上安全使用。
- 在大面积使用清洁剂之前，请务必先在不显眼处先试验清洁方式。
- 请不要将产品表面浸泡在清洁剂中。
- 使用清洁剂后，请立即擦拭并用水彻底清洗。清洗并擦干溢溅在周围表面的清洁剂。
- 使用柔软湿润的海绵或清洁布，请勿使用研磨材质，例如刷子和百洁布来清洁表面。