

Installation Instructions

Integrated Sink Appliance

安装说明书

多功能一体式厨盆

Record your model number:

记录您的型号:

_____ K-31354T-NA _____

中文页面 2

KOHLER®

1520639-T2-A

安装说明书

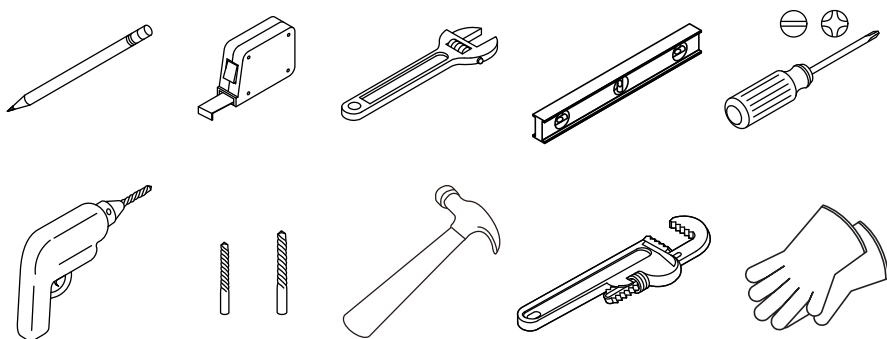
多功能一体式厨盆

感谢您选择科勒

需要帮忙? 请联系我们的客户服务中心。

- 科勒（中国）投资有限公司
上海市静安区江场三路 158 号 邮编：200436
- 中国大陆：+(86) 800 820 2628, +(86) 400 820 2628
- www.kohler.com.cn

工具和材料



安装之前

- 请按照本安装说明书所记载的内容正确安装。
- 使用前请务必阅读下面的“警告和注意事项”。
- 电气配线工程, 请按照《建筑电气工程施工质量验收规范》的记载进行。
- 请委托拥有电气工程资格的专业人员来实施工程。
- 本产品严禁与热水管连接, 仅与一般自来水管连接。
- 完成安装后, 请务必遵照“安装后的检查”所记载的内容再次确认。
- 请务必将本书与使用说明书、合格证一起交给顾客。
- 本说明书的插图形状、颜色可能与实物有所不同, 请以实物为准。
注意: 本资料上所有内容均经过认真核对, 如有印刷错误或内容上的误解, 本公司保留解释权。

注意：产品如有技术改进，会编进新版说明中，恕不另行通知。产品外观如有改动，请以实物为准。请勿擅自自行拆机，请依照保养事项步骤进行维护。

- 未按照本安装说明书来安装的，即使出现事故、损害，本公司也不承担任何责任。
- 本产品符合 Q/KLCW 1。



警告：死亡或重伤风险。本产品不能由儿童或有体力、感官或精神缺陷的人或缺乏经验知识的人使用，除非有负责他们安全的人对其进行监督和指导。应照看好儿童，确保他们不玩耍本产品。



警告：触电风险。请勿对机体等泼水、洒水。



警告：人身伤害的危险。请勿让婴幼儿爬入洗碗机内。从内部无法打开机门，可能被困在内而发生危险。使用后请务必关好机门。



警告：人身伤害的风险。必须让儿童远离洗碗粉、光亮剂、专用盐等消耗品。



警告：人身伤害的风险。请勿靠近、碰触排气口。排出的热水、热风、蒸气可能导致烫伤。



警告：人身伤害的风险。打开、关闭机门时，请勿夹到手指。



警告：火灾危险。请勿在本产品附近放置任何火源或热源，如驱蚊香、香烟、蜡烛、电加热器等。



警告：触电或火灾风险。请勿将本产品直接连接到任何室内电路。



警告：产品损坏的风险。请勿随意拆卸、维修和改装本产品。



警告：触电风险。请勿不正确地使用电源线和电源插头。



警告：触电风险。请勿用湿手插拔电源插头。



警告：触电或火灾风险。请勿使用损坏的电源插头或松散连接的插座。将本产品单独连接到额定电流为10A的交流220V插座。完全插入电源插头。定期用干布擦拭电源插头。



警告：触电或火灾风险。请勿将本产品与其他设备连接在同一插座中。



警告：人身伤害的风险。刀具和其他锋利的用具必须装在篮子里，并且尖端朝下或水平放置。

安全须知



警告：触电或火灾风险。确保本产品已接地。使用接地的单相双极插座或聘请专业电工将本产品接地。



警告：触电或火灾的危险。如果电源软线损坏，为了避免危险，必须由制造商，其维修部或类似部门的专业人员更换。



注意：产品损坏或漏水风险。安装过程中不要损坏排水管和进水管。



注意：产品损坏或漏水风险。器具应使用新的软管组件连接到水源，旧的软管组件不应重复使用。



注意：产品损坏的风险。请勿损坏电源线和电源插头。不要加工、弯曲、扭曲和延伸它们。



注意：产品损坏的风险。请勿将电源线暴露在高温高压下或捆扎起来。



注意：产品损坏的风险。取出、搬运产品时，请勿抓着洗碗机门，请抓着柜体两侧的把手。



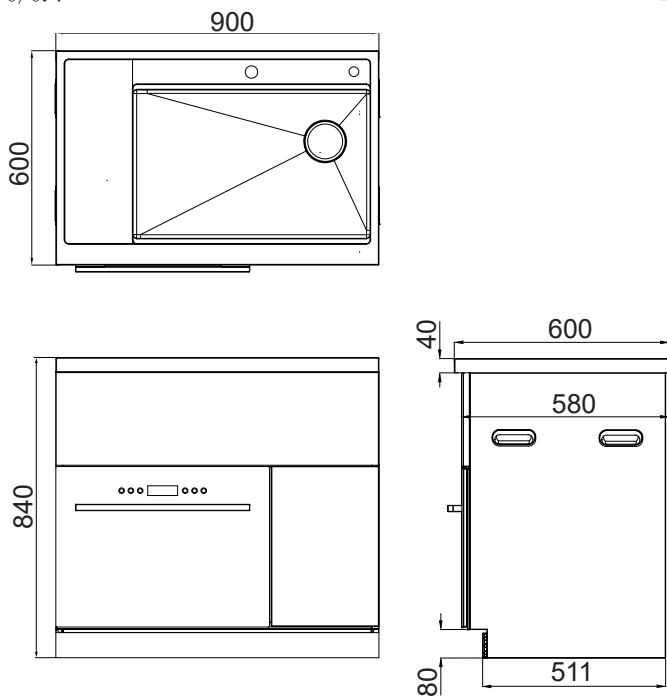
注意：产品损坏的风险。如果长时间不使用本产品或在对本产品进行维护之前，请务必拔下电源线。

尺寸图

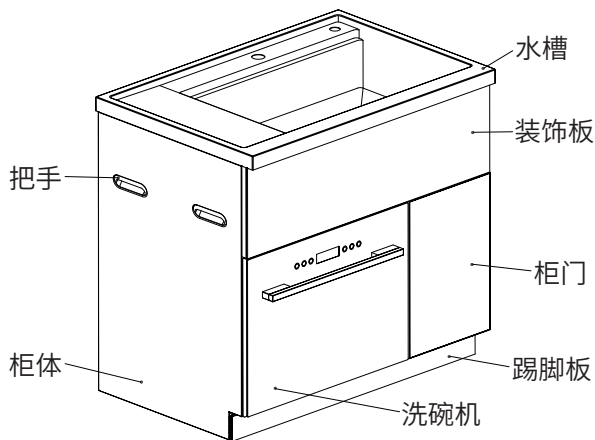
厚度: 1.2/1.0/0.7

单位: 毫米

ZIO



多功能一体式厨盆结构图



电气工程及接地

注意：

- 所有的电气工程、接地工程等均需由拥有电气工程资格的专业人员，根据《建筑电气工程施工质量验收规范》等规定进行实施。
- 为了防止触电，请务必进行接地。
- 变更安装位置或搬迁时，请务必重新接地。
 - ◇ 请单独使用额定为10A，交流220V的单相两极带接地的插座。
 - ◇ 插座请务必牢牢的固定在所选墙壁上。
 - ◇ 安装插座的墙壁请避开进水管、排水管位置，以免嵌入机体后，电源线难以布线。
 - ◇ 如有不明之处，请联系科勒客户服务中心或电气工程公司。
- 插座必须紧邻洗碗机，且安装完多功能一体式厨盆后能随手可及，本机安装好后，若无法直接接触及插头，必须安装可触及的全相电路开路开关，该开关应为符合布线规定的固定布线的开关。
- 电源插座安装在指定位置，不能被遮挡，不能在水龙头或三通的下面。
- 请您检查放置机器位置电源线路、保险丝、插座和开关的安装是否符合国家供电标准和满足所购买机器要求，有无良好的接地安全保护。
- 检查使用现场的电压是否符合要求，机器在额定电压220V才能正常安全运行。

关于漏电断路器的设置

- 为预防万一，防止漏电发生事故，请设置漏电断路器。
 - ◇ 如果主干电路已设有漏电断路器时，可无需另行设置其他漏电断路器。

管道和连接

注意：

- 每台洗碗机生产时均会经过水检, 确保产品合格。第一次打开洗碗机时里面可能会有水滴, 请放心, 这不影响产品性能。
- 必须由专业人员安装或移装, 禁止擅自拆解、改装和修理。
- 本产品适用的自来水水压范围为0.1 MPa-1 MPa, 但是根据水管的状态, 水压可能会上升, 因此当水压超过0.6 MPa时, 请安装减压阀。
- 如果根据当地条例规定而安装了止回阀, 且在机体的配管附近存在单手柄水龙头时, 请实施下述对策。
 - ◇ 在单手柄水龙头的配管上安装减压阀或水击防护器。
 - ◇ 在本产品的配管上安装减压阀。(以此来防止急速关闭水龙头时, 发生水击现象而对位于止回阀下游侧的机体或机体配管产生较高水压, 而导致产品发生故障或漏水。)
- 因本产品是直接连接自来水管的, 因此请在(装修)设计、施工阶段就正确决定进水、排水位置。
 - ◇ 请使用耐热的配管粘合剂。
 - ◇ 请务必安装角式进水阀。
 - ◇ 进水阀端口、排水管道(下水道)端面要处理毛边, 且完全清除掉残留在管内的异物(切割粉尘等)。

注意：冬季长时间不使用可能发生冻结, 请进行排水作业(以免造成进水阀、水管等的破损)。

准备安装位置

单位:毫米

图 1

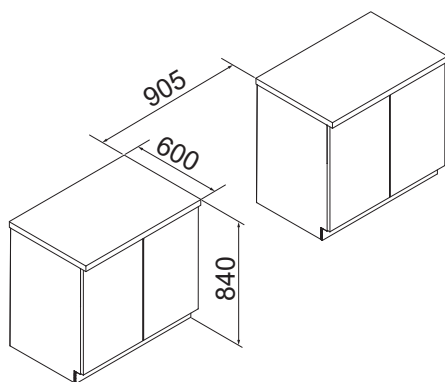
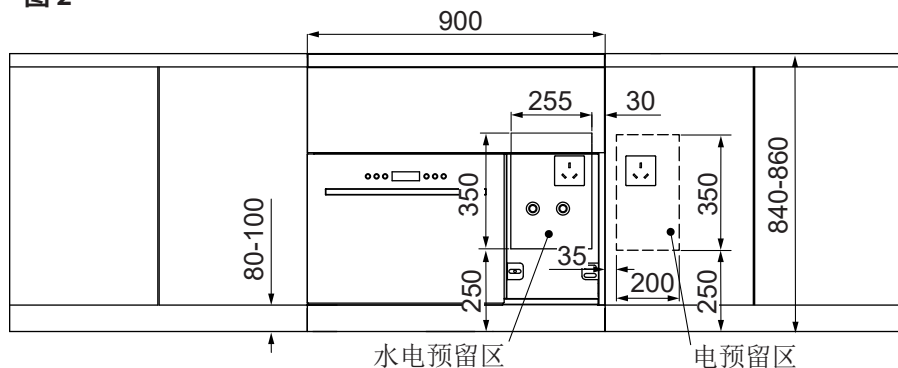
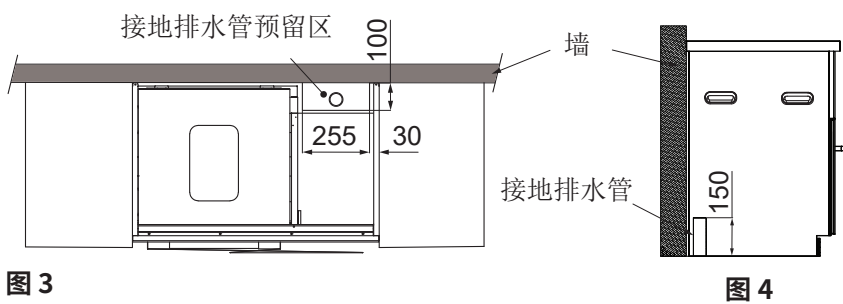


图 2

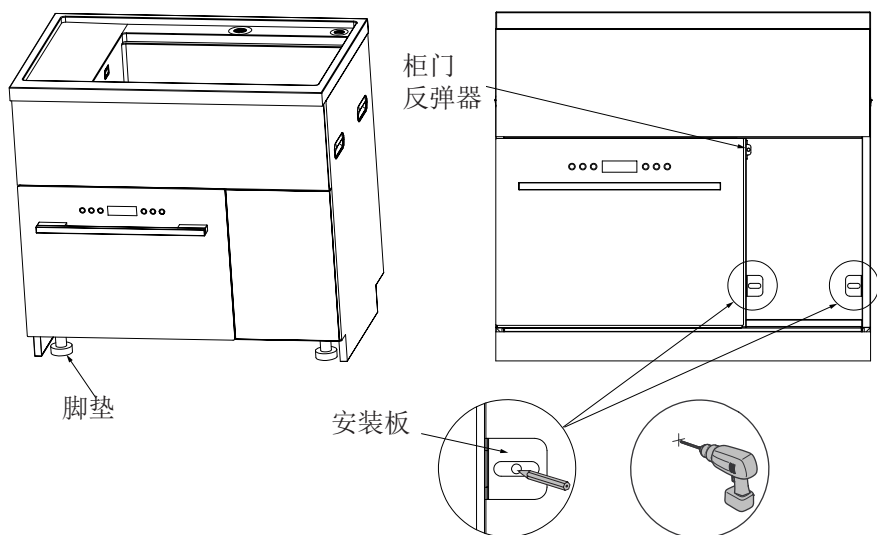


1. 进水管和接地排水管的位置需要位于多功能一体式厨盆的安装位置或附近。
2. 多功能一体式厨盆安装所需的预留尺寸位置（见图1）。
3. 角阀和插座安装在“水电预留区”内(见图2)。
4. 根据用户的需要确定安装角阀和插座的数量。
5. 如果客户的龙头是冷热水水龙头，请在冷水角阀上安装分水阀或直接安装三通分控角阀。
6. 如果插座在相邻的橱柜内，橱柜请做相应的避位。



7. 接地排水管的安装位置（见图3）。接地排水管的高度不超过150mm（见图4）。

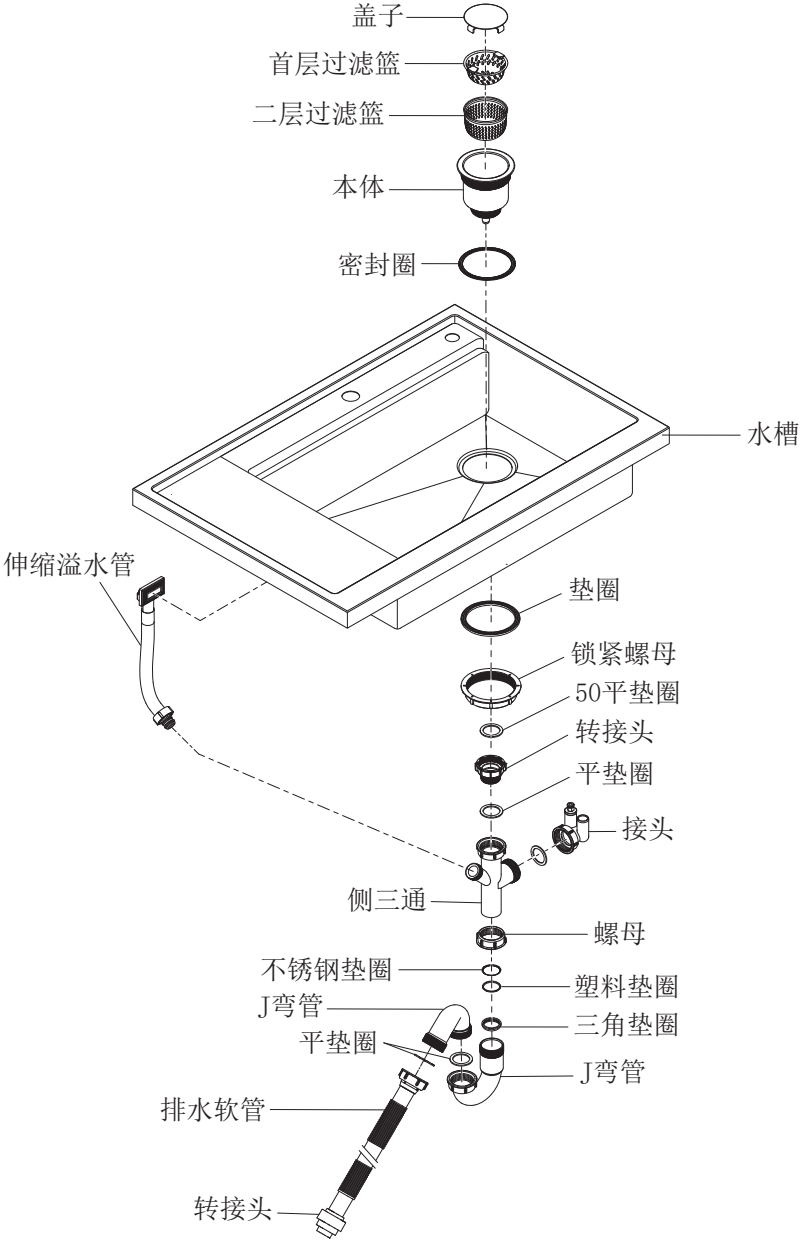
安装说明

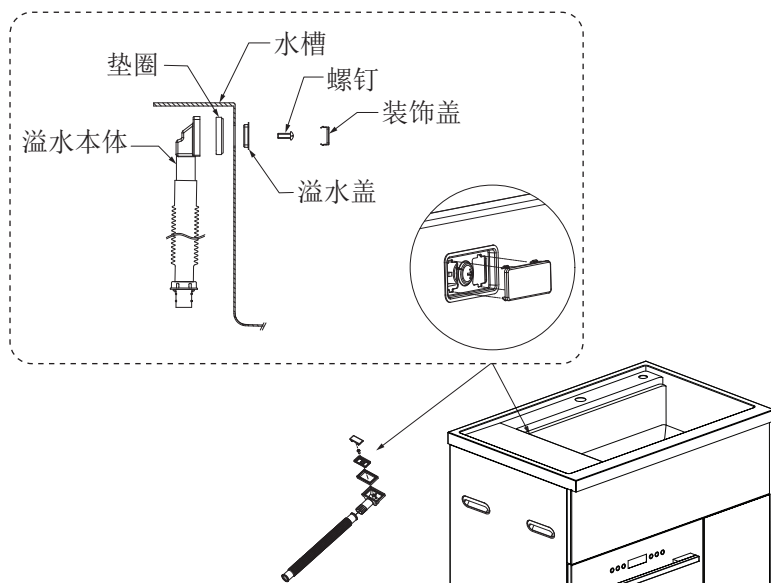


提示：

- A. 在安装多功能一体式厨盆之前，请将多功能一体式厨盆的高度调整到相邻橱柜的高度，以获取合适的匹配高度。
 - B. 机柜的高度可以通过机柜底部的四个可调节脚垫来调节。本多功能一体式厨盆的可调高度范围为840-860mm。
 - C. 请确认水槽的水平面保持水平，无歪斜、晃动等缺陷。
 - D. 安装前要确保足够的空间，使洗碗机门打开、关闭机门时不会磕碰到其他电器或橱柜。
 - E. 柜门为按压式柜门，如柜门开闭不顺畅，可以左右旋拧柜门反弹器上的顶销，以获得合适长度，以保证柜门开闭顺畅。
1. 将多功能一体式厨盆安放在安装位置，按照机柜上固定的安装板在墙上标出孔位。拉出多功能一体式厨盆，在墙上标注的位置钻出合适的盲孔，然后将膨胀螺丝插入孔中。
 2. 根据水龙头安装说明书的指示安装水龙头。
 3. 按照皂液器安装说明安装皂液器（如果有）。如果没有，请安装皂液器孔盖并拧紧螺母，以免水槽龙头台面漏水。

排水管示意图





4. 根据下水器的安装说明书安装下水器，按照下水管安装说明安装溢水组件。
5. 根据下水管安装说明书和第11页示意图安装下水管。然后将溢流组件连接到侧三通上，按照装配图连接所有的管道，先不要完全拧紧，所有管道连接后再拧紧各处螺母，安装时请注意将各密封垫按图中所示位置正确放置。

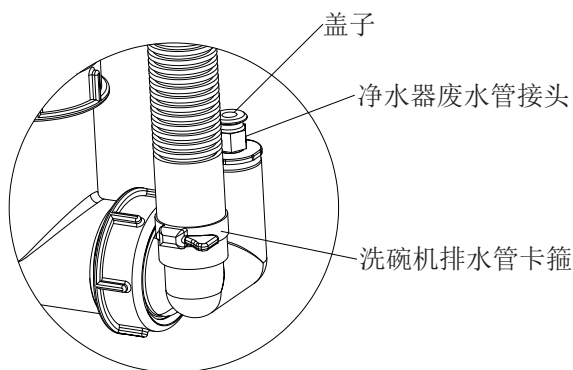


图 A

6A. 请将洗碗机的排水管连接至洗碗机排水管接头，并用卡箍锁住排水管（可能不附带卡箍）。如果净水器废水管需要与下水管相连，请拨开净水器废水管接头盖子进行连接。

提示:如无需要，请勿拨开盖子，以免漏水。

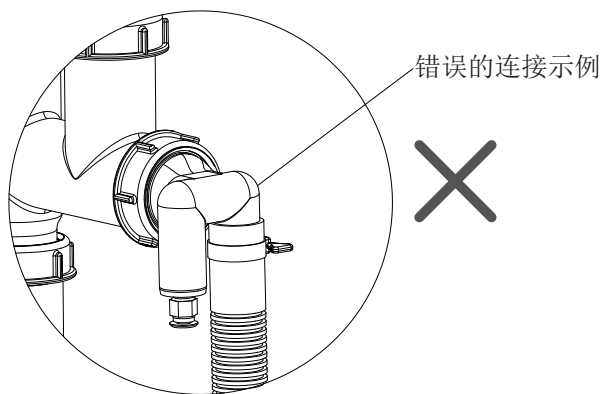


图 B

6B. 请勿倒装转接头，以免污水倒流。

提示:

- 请确认排水管没有破裂、扭曲或抬起。
- 请确认卡箍安装正确。
- 放水入水槽并检查有无漏水。

在水槽柜的三个侧面涂上密封胶

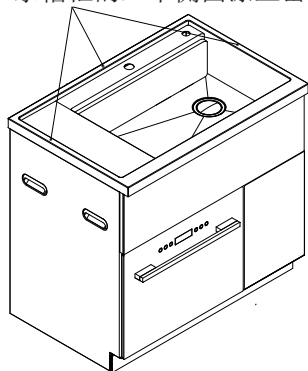


图 A

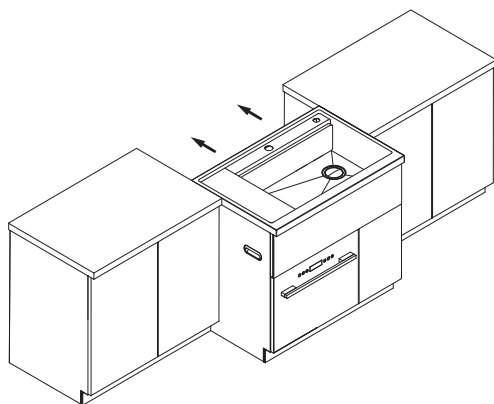


图 B

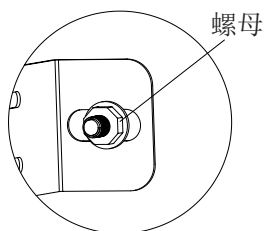


图 C

注意： 必须锁紧安装板的所有螺丝和螺母；必须把多功能一体式厨盆和两侧橱柜牢牢固定，以确保它们不会晃动、翻侧等。

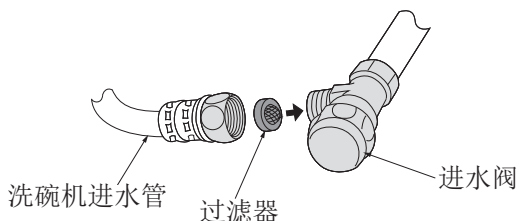
7. 固定多功能一体式厨盆。

- A. 在多功能一体式厨盆的图A所示位置的三面打上密封胶。
- B. 把多功能一体式厨盆推入橱柜预留安装位置（见图B），在推入过程中注意不要压到洗碗机电源线和其它管道等。
- C. 将膨胀螺丝穿过安装板固定孔，然后拧紧螺母（见图 C）。拧紧安装板上所有的螺丝。

8. 检查多功能一体式厨盆与橱柜之间是否有间隙，如果有请用密封胶填充间隙，以免渗水漏水破坏橱柜。

提示:在固定多功能一体式厨盆后，如果在安装或拆卸水龙头/洗碗机的进水管过程中有不便，可拆下部分下水管管件，安装完成后请把拆除的下水管重新安装回去并锁紧所有螺母。

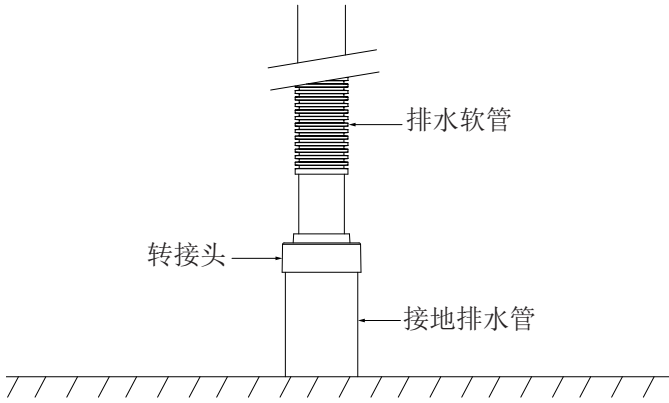
9. 请根据水龙头安装说明书的安装指示把水龙头的进水管连接到角阀上并锁紧。



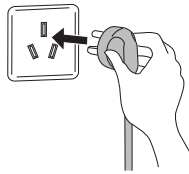
10. 连接洗碗机进水管到进水阀并锁紧。

- A. 将过滤器放在进水管和进水阀之间，并将进水管连接到进水阀（*进水管螺纹接头随型号可能形状稍有区别，过滤器也不尽相同）。
- B. 用手轻轻拧上螺母后，半圈半圈用扳手拧紧螺母（正确的拧紧扭矩为：5N/m~10 N/m）。

提示:过滤器丝网突起的一方朝向进水阀。



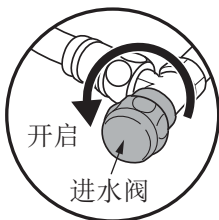
11. 连接排水软管到接地排管并固定，排水软管、转接头与接地排水管可用密封胶固定。
12. 打开水龙头往水槽放满水，检查确保所有的接口都锁紧且无渗水、漏水等不良现象，确认后，水槽排水，确保下水管排水顺畅。



13. 将电源插头插入插座。

洗碗机试运行

1. 试运行的步骤



提示：

- 若暂时因未通水、电而无法试运行，请务必在开通水、电后进行试运行。（请勿手动注水）
- 请先确认电源已经接通，进水阀已经打开。

请按照下述顺序执行试运行。

1. 打开进水阀，确认机门已关闭。（若机门未关将无法试运行，且会有报警声提示）
2. 同时按下电源键和程序键。
3. 手松开按键后，在3秒钟以内按一次运行键。此时试运行开始。

提示：试运行结束后自动关闭电源，显示屏熄灭显示。

2. 试运行的确认

A. 运转中：

喷嘴噪音：确认应会发出啪嚓音（有一定量的水进入后，喷射水的同时喷嘴在转动，因此会有啪嚓音）。

漏水：进入管、排水管的连接部以及其他部位应无漏水。

B. 结束时：

发出“哗~”6声，且电源自动关闭。

排水状态：打开机门，确认机内的水均已排出。

止水状态：电源关闭的状态下，确认排水口应无水排出。

提示：

- 试运行完成后，请让进水阀保持打开。
- 如果将长期不使用本产品，请关闭自来水管上的总阀，以防止漏水。
- 当管道可能结冰时，请将水全部排出（否则可能会损坏进水阀，导致漏水）。

3.异常报警说明

试运行过程中，显示屏区若出现以下故障代码（代码会闪烁，机体会发出警报声）时，请确认以下内容。

提示：完成上述处理后，请再次执行试运行。

故障代码	代码含义	处理方法
U 14	供水不良	<ul style="list-style-type: none"> • 请关闭电源，并确认进水阀或家中水管总阀是否打开。 • 请确认水管等是否冻结。
门未关	运转中，机门打开了	请关闭机门，重新开始运转。
H00	出现H及两位数字的代码时，表示发生系统故障	请立即停止使用，切断电源，关闭进水阀，并咨询科勒客户服务中心，并告知故障代码（H之后的2位数字）但出现H21、H40时，请参照下述处理。
H21	发生漏水或溢水	请关闭进水阀或家中水管总阀，并立即联系科勒客户服务中心（切勿拔掉电源插头或关掉断路器，否则泵不会动作而无法强行排水）。
H40	排水不良	请关闭电源，检查排水管，清洁过滤网机异物后再试。上述处理后仍有问题时，请联系科勒客户服务中心。

安装后检查

完成上述处理后, 请再次执行试运行。

检查项目		内容	参考页	检查项目
产品及周边	门的打开和关闭	是否满足了门的安装要求?	第 8、10 页	
	水槽和橱柜之间的缝隙 (打开洗碗机抽篮后多功能一体厨盆是否会不稳或摇晃?)	是否完全密封了水槽和机柜之间的缝隙? 安装板的螺丝和螺母是否锁紧? 多功能一体柜是否与两侧橱柜牢牢固定?	第 14 页	
进水管和排水管的连接	过滤器	进水管和进水阀之间是否安装了过滤器? 进水管和进水阀的连接处是否漏水?	第 15 页	
	排水管安装	是否将排水管可靠地安装在合适的位置? 是否压缩、弯曲或抬起了排水管? 进水管和排水管的各处连接处是否有漏水?	第 8、9、11、12、13、16 页	
电气连接		是否单独使用额定为 10A、交流 220V, 且为单相两极带接地电源插座?	第 6 页	
试运行		已进行试运行, 本产品运行正常。	第 17 和 18 页	

装箱清单

序号	名称	数量	物料号
1	多功能一体式厨盆主体	1台	-
2	洗碗机	1台	26594T-NA
3	40单槽下水管	1套	1506735
4	易清洁双层带盖弹跳落水	1套	77804T-NA
5	塑料抽拉沥水篮	1个	1506719
6	白色塑料沥水篮	1个	1301778
7	小塑料篮	1个	1247613
8	皂液器孔盖	1件	1127258
9	踢脚板	1件	1520489
10	膨胀螺栓	2件	-
11	捆扎带	4条	-
12	合格证	1份	-
13	使用说明书	1本	1534864-T5
14	安装说明书	1本	1520639-T2
15	维修零件图	1份	1520640-T8

保养和清洁指南

不锈钢水槽

- 每次使用后，请彻底冲洗您的不锈钢水槽，并使用清洁的软布将其擦干。对于不锈钢用品，请每周清洁一次。
- 请使用非磨损性的布或海绵，并用不锈钢专用清洁剂/光亮剂进行清洗，而不要使用带颗粒的清洁剂。请不要使用钢丝球、钢丝刷或者研磨性的抹布清洁不锈钢水槽。
- 如果您使用了含有氯化物的清洁剂，在您清洁水槽之后，确保立即对水槽表面进行冲洗，以防止腐蚀。不要让清洁剂在您的水槽表面停留过长时间。
- 不要用湿布、水或其他液体清洁水槽背面的底涂涂层。

柜体和钢化玻璃面板

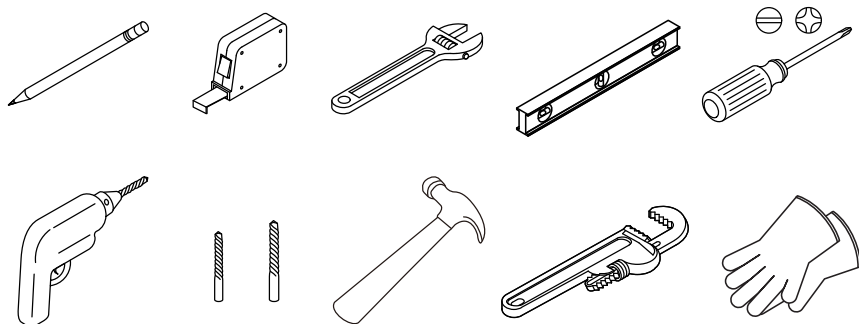
- 请务必关闭电源后再进行保养。
- 请勿用硬物撞击、划刮柜体和玻璃面板。
- 请勿使用漂白剂、洗涤剂、稀释剂、挥发油、清洁剂、蜡和杀虫剂等。可能导致受损、变色。
- 使用化学抹布时，请遵守其说明书的要求。
- 用拧干的软布擦拭玻璃面板。

Thank You for Choosing KOHLER

Need help? Contact our Customer Care Center.

- Kohler China Investment CO. LTD,
NO. 158, Jiang Chang San Road, Jing'an District,
Shanghai, PRC Post Code: 200436
- Mainland China: +(86) 800 820 2628, +(86) 400 820 2628
- www.kohler.com.cn

Tools and Materials

















Before You Begin

- Install this product correctly according to this Installation Instructions.
- Be sure to read “Warnings and Notes” below before use.
- Arrange and connect electrical wires according to the “Code of Acceptance of Construction Quality of Electrical Installation in Building”.
- Installation must be done by qualified electricians only.
- Do not connect this product to hot water pipes. Connect this product to common tap water pipes.
- Be sure to carry out inspection as required in “Post-installation Inspection”.
- Deliver the product along with these Installation Instructions, Homeowners Guide, and the Compliance Certificate.
- The shape and color shown in the illustrations herein may be different from those of the real product. Refer to the real product.

NOTE: All contents hereof have been carefully verified. Our company reserves the right of final interpretation in case of any literal error or misunderstanding of the contents.

NOTE: We may revise these Installation Instructions upon any technical improvement in this product without notice. Refer to the real product for any change in the appearance. Do not randomly disassemble this product. Maintain this product as instructed.

- Our company will not be liable for any accident and damage caused by failure to install this product in accordance with these Installation Instructions.
- This product complies with Q/KLCW 1.

-  **WARNING: Risk of death or serious injury.** This product must not be used by children, or the physically/ mentally invalid or those with inadequate common sense, unless they are under close supervision and guidance of those responsible for their safety. Please pay close attention to children to ensure that they do not play with this product.
-  **WARNING: Risk of electrical shock.** Do not splash and spray water onto this product.
-  **WARNING: Risk of personal injury.** Do not allow infants and children to climb into the dishwasher. The door cannot be opened from the inside, and may cause an accident due to being trapped inside. Close the door after use.
-  **WARNING: Risk personal injury.** Must keep children away from consumables such as dishwashing powder, brightener and special salt.
-  **WARNING: Risk personal injury.** Do not approach or touch the exhaust port. The hot water, hot air, and steam discharged may cause burns.
-  **WARNING: Risk personal injury.** Do not get your fingers caught, when opening and closing the door.
-  **WARNING: Risk of fire.** Do not place any fire source or heat source like mosquito-repellent incense, cigarette, candle, electric heater etc. near this product.
-  **WARNING: Risk of electrical shock or fire.** Do not directly connect this product to any indoor circuit.
-  **WARNING: Risk of product damage.** Do not randomly disassemble, service, and modify this product.
-  **WARNING: Risk of electrical shock.** Do not use the power cable and the power plug improperly.
-  **WARNING: Risk of electrical shock.** Do not plug and unplug the power plug with wet hands.
-  **WARNING: Risk of electrical shock or fire.** Do not use a damaged power plug or a loosely connected socket. Connect this product separately to an AC 220 V socket with rated current of 10 A. Insert the power plug fully. Wipe the power plug with dry cloth regularly.
-  **WARNING: Risk of electrical shock or fire.** Do not connect this product in the same socket along with other appliances.
-  **WARNING: Risk of physical injury.** Knives and other sharp utensils must be placed in the basket, with the tip facing down or horizontally.

Safety Instructions



WARNING: Risk of electrical shock or fire. Make sure this product is grounded. Use a single-phase bipolar socket that is grounded or hire a professional electrician to ground this product.



WARNING: Risk of electrical shock or fire. In case the power cable is damaged, request the manufacturer or the professional personnel from its maintenance department or any other similar department to replace, in order to avoid danger.



CAUTION: Risk of product damage and leak. Do not damage the drain pipe and the inlet pipe during installation.



CAUTION: Risk of product damage and leak. The appliance shall be connected to the water source with a new hose assembly, and the old hose assembly shall not be reused.



CAUTION: Risk of product damage. Do not damage the power cable and the power plug. Do not process, bend, twist, and extend them.



CAUTION: Risk of product damage. Do not expose the power cable under high temperature and high pressure or bundle them up.



CAUTION: Risk of product damage. Do not take out and move this product by holding the door. Lift this product by holding the handles.

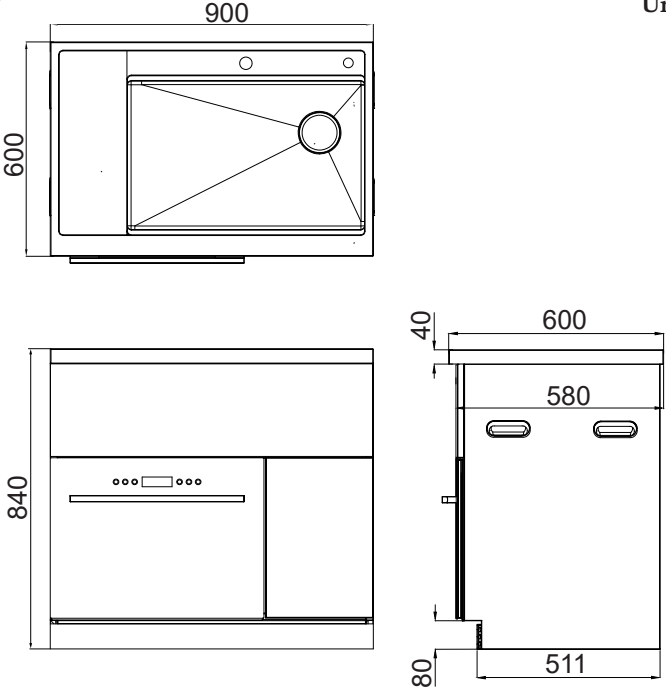


CAUTION: Risk of product damage. Be sure to unplug the power cable if this product will not be used for a long time or before this product is maintained.

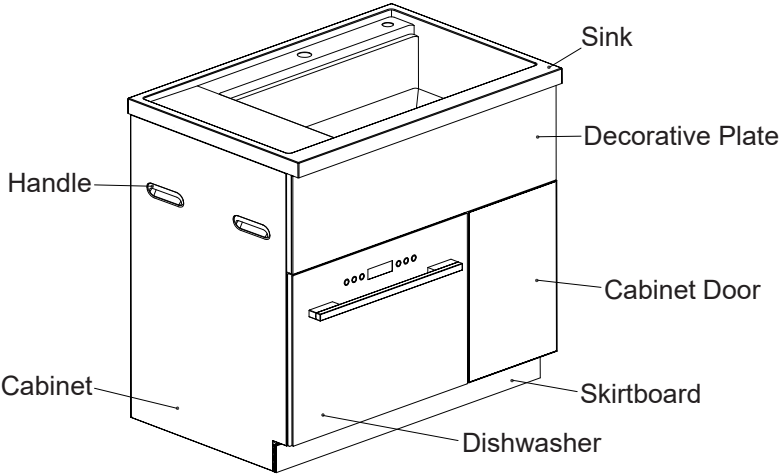
Rough-In Dimensions

T=1.2/1.0/0.7

Unit: mm



Integrated Sink Appliance Structural Illustration



Electrical Work and Grounding

NOTE:

- Only qualified electricians to perform the electrical work and grounding in accordance with the “Code of Acceptance of Construction Quality of Electrical Installation in Building” and other applicable regulations.
- Ground the product to avoid electric shock.
- Make sure to ground the product if the product is moved to a new installation site or relocated.
 - ◇ Connect this product separately to a single-phase bipolar AC 220 V socket with rated current of 10 A and grounded.
 - ◇ The socket must be firmly fixed on the wall.
 - ◇ The wall on which the socket is installed should be free of inlet pipe and drain pipe. Otherwise the power circuit may be difficult to be arranged after this product is placed into the cabinet.
 - ◇ In case of any question, contact Kohler’s Customer Care Center or an electrical engineering company.
- The socket must be located close to this product and easily accessible to the product when installed. If the product is being installed at a location far away from the socket then, an accessible all-phase break switch must be installed. The phase break switch should be switch fixed wiring compliant with wiring specifications.
- The power outlet is installed in the specified location, but do not cover the switch or install below the faucet or T-pipe.
- Check whether the power circuit, fuse, socket, and switch at the installation site are installed in accordance with the national standard for power supply and the requirements of this product and whether they are well grounded.
- Check whether the voltage at the site is at the required level. This product will work normally only at 220V.

Usage of Leakage Circuit Breaker

- **Use a leakage circuit breaker to prevent accidents caused by electric leakage.**
 - ◇ No other leakage circuit breaker is needed, if the main trunk circuit is connected with one.

Pipework and Connection

NOTE:

- Each dishwasher has undergone water test in factory to ensure it meets the acceptance criteria. There may be water inside this product when opened for the first time after it is received, which is normal and does not affect the product performance.
- This product must be installed or relocated by professional personnel. Do not arbitrarily disassemble, modify, and service this product.
- This product can work normally under tap water pressure of 0.1 MPa-1 Mpa. The water pressure may increase under certain pipe conditions. Install a relief valve when the water pressure exceeds 0.6 MPa.
- Take the following measures if a check valve is installed as required by the local regulations and a single-handle faucet is installed near the pipe connected to this product.
 - ◇ Install a relief valve or a protective device to prevent water hammer in the pipe connected to the single-handle faucet.
 - ◇ Install a relief valve (To prevent failure or water leakage caused by high water pressure imposed by water hammer on this product, or the pipe connected to the downstream of the check valve when the faucet is closed rapidly.) to the pipe connected to this product.
- This product is directly connected with a tap water pipe. Correctly mark the locations of water inlet and outlet at the (decoration) design and construction stages.
 - ◇ Use heat-resistant pipe adhesive.
 - ◇ Be sure to install an angle valve at the inlet.
 - ◇ Deburr the port of inlet valve and the end of drain pipe. Fully remove the unnecessary objects (dust generated during cutting, etc.) remaining in the pipe.

NOTE: The inlet valve and pipes may get frozen in winter. If this product is not used for a long time, make sure to drain off the water from this product (to protect the inlet valve and pipes being damaged).

Prepare the Site

Fig. 1

Unit: mm

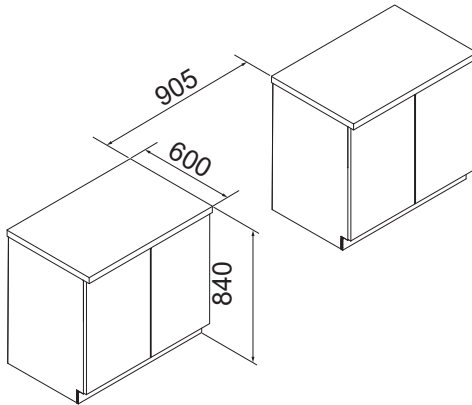
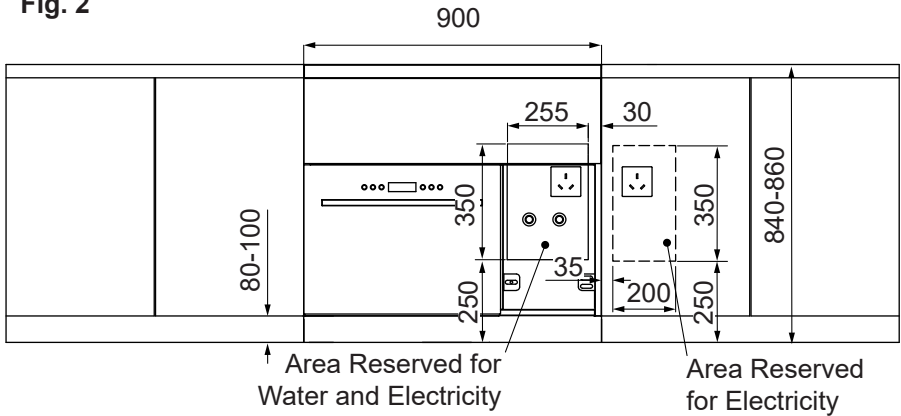


Fig. 2



1. The positions for water inlet pipe and ground drain pipe are required to be at or near the installation location of the integrated sink appliance.
2. The reserved space required for the installation of the integrated sink appliance (see Fig. 1).
3. Angle valves and sockets are installed at the “area reserved for water and electricity” (see Fig. 2).
4. Install the number of angle valves and sockets based on user’s needs.
5. If the customer has hot and cold water faucet, Install a water diversion valve on the cold water angle valve or directly install a three-way diversion control angle valve.
6. The cabinet should avoid corresponding positions if the socket is in the adjacent cabinet.

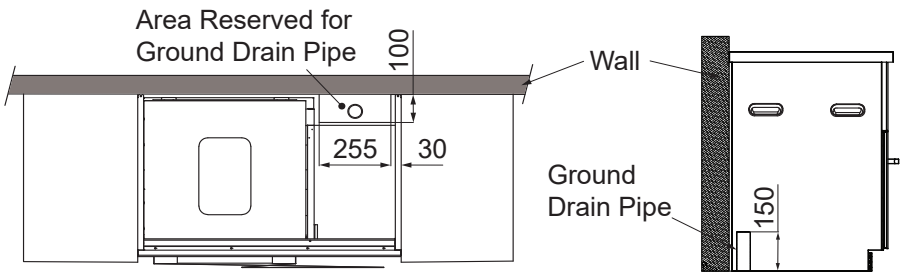
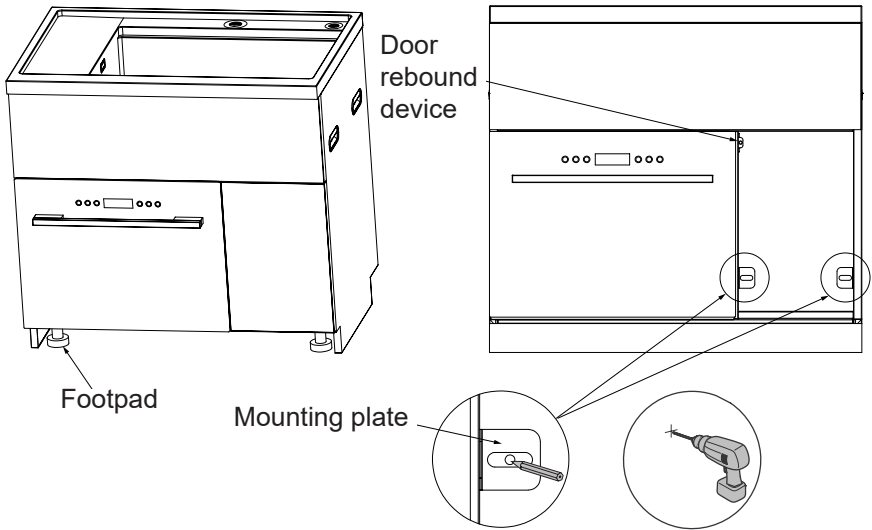


Fig. 3

Fig. 4

7. Installation location of ground drain pipe (see Fig. 3). Height of ground drain pipe is not more than 150 mm (see Fig. 4).

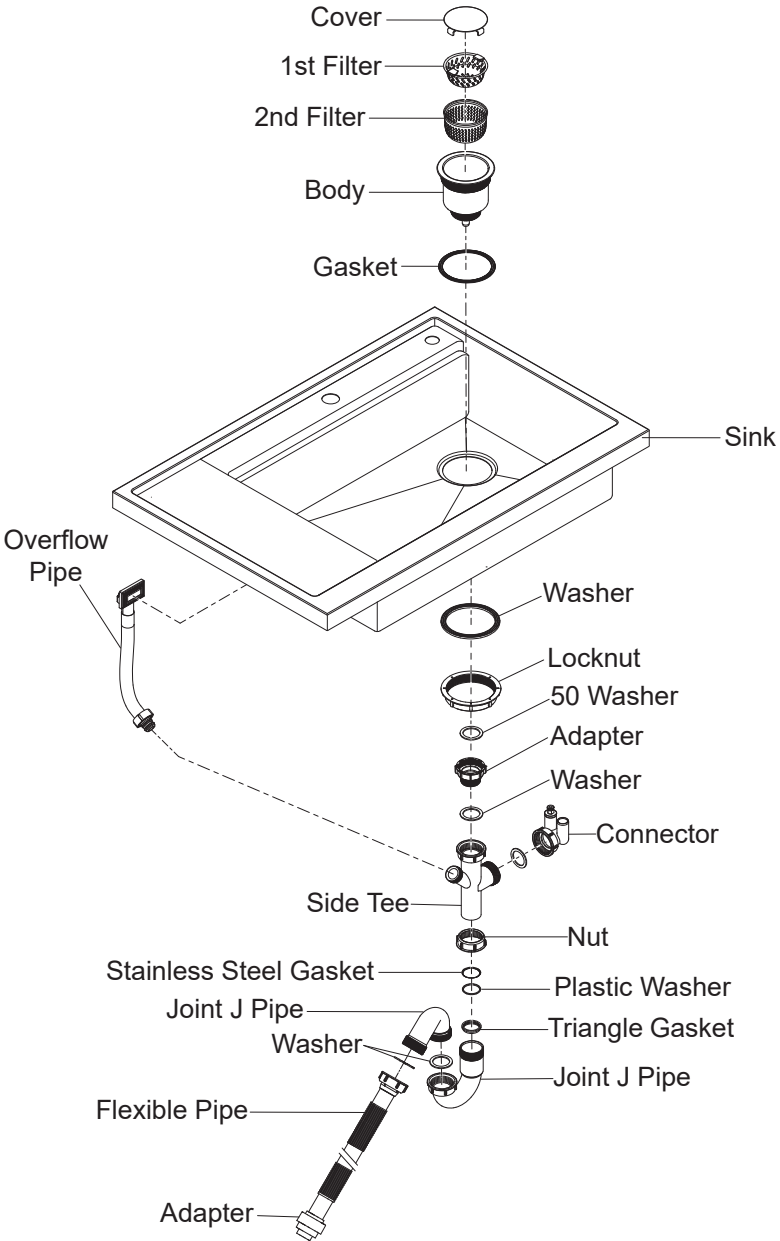
Installation Instructions

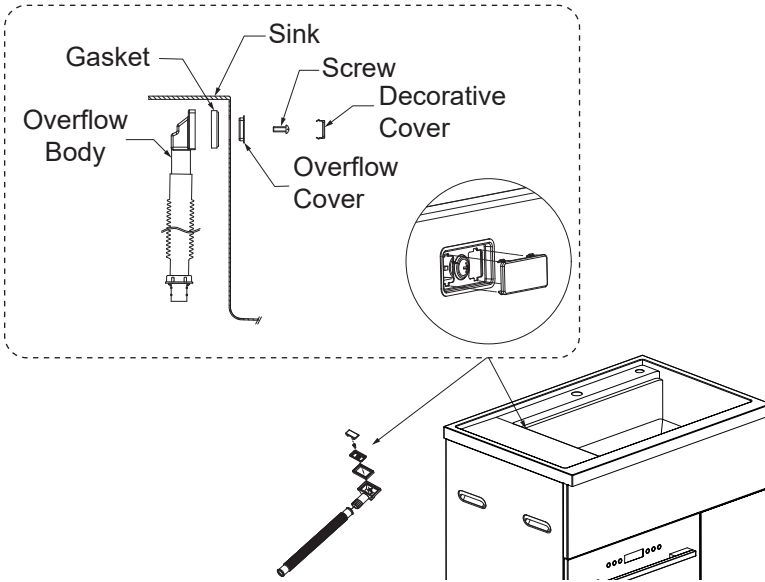


NOTE:

- A. Before installing the integrated sink appliance, adjust the height of the integrated sink appliance to the height of the adjacent cabinets to obtain a suitable matching height.
 - B. The height of the cabinet can be adjusted by the four adjustable footpads at the bottom of the cabinet. The adjustable height range of the integrated sink appliance is 840-860 mm.
 - C. Verify that the level of the sink shall be kept at the horizontal and free of skews, shaking and other defects.
 - D. To prevent the dishwasher door from banging into other appliances or cabinets, make sure there is enough space before installation for the door to open and close.
 - E. The cabinet door is a press type cabinet door. If the opening and closing of the cabinet door are not smooth, the top pin on the cabinet door rebound device can be rotated left and right to obtain a suitable length to ensure smooth opening and closing of the cabinet door.
1. Place the integrated sink appliance at the installation location, mark the hole positions on the wall according to mounting plate fixed on cabinet. Pull out the integrated sink appliance and drill the suitable blind holes at the location marked on the wall. Then insert the expansion screw into the hole.
 2. Install the faucet as indicated in the faucet installation instructions.
 3. Install the soap dispenser as indicated in the soap dispenser installation instructions (if any). If not, install the soap dispenser hole cover and tighten the nut to prevent water leakage from the sink faucet countertop.

Schematic Diagram of Drain Pipes





4. Install the strainer according to the installation instructions for the strainer. Install the overflow assembly as indicated in the drainpipe installation instructions.
5. Install the drainpipe according to the drainpipe installation instructions and schematic diagram shown on page 31. Then connect the overflow assembly to the Side Tee . Connect all the pipes according to the assembly diagram. Tighten the pipes loosely at first. And tighten all the nuts after all the pipes are connected. During the installation, please pay attention to place the gaskets in their correct positions as shown.
- 6A. Connect the drain pipe of the dishwasher to the dishwasher drain pipe connector

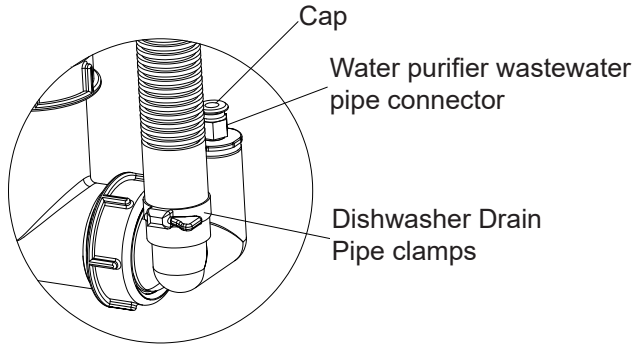


Fig. A

and lock the drain pipe with clamps (clamps may not be accompanied). If necessary, remove the cap from the water purifier wastewater pipe connector and connect the purifier's wastewater pipe to the sink s-trap.

NOTE: Do not open the connector cap unless completely necessary to avoid water leakage.

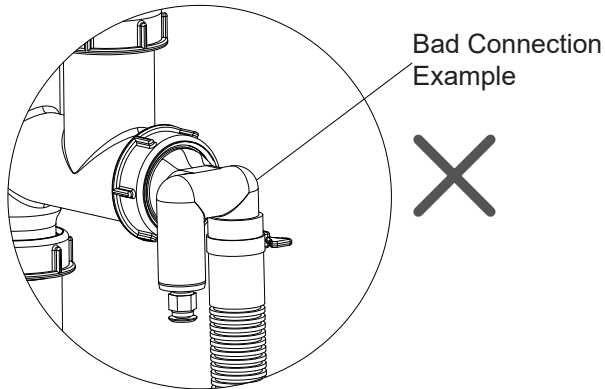


Fig. B

6B. Do not turn the connector downward, the sewage will flow backwards.

NOTE:

- Verify that the drain pipe is not broken, distorted, or lifted.
- Verify that the clamps are installed correctly.
- Run water into the sink and check for leaks.

Apply sealant to the three sides of the sink cabinet.

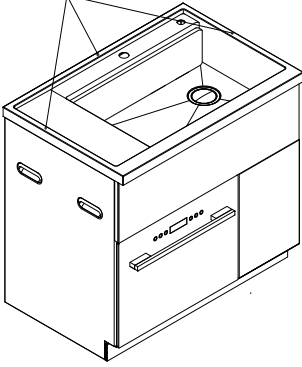


Fig. A

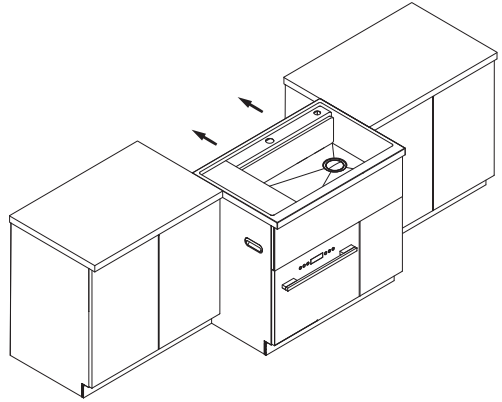


Fig. B

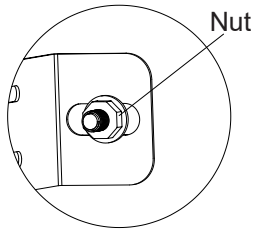


Fig. C

CAUTION: All screws and nuts of the mounting plate must be locked. The integrated sink appliance and cabinets on both sides must be firmly fastened to ensure that they do not shake, flip over, etc.

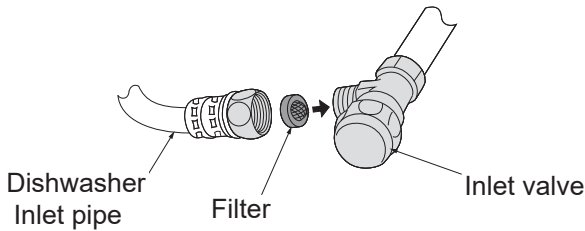
7. Install the integrated sink appliance.

- A. Apply sealant to the three sides of the integrated sink appliance as locations shown in the Fig. A.
- B. Push the integrated sink into the reserved installation position of the cabinet, (see Fig. B) and take care of not to press the dishwasher power cord and other pipelines during the pushing process.
- C. Insert the expansion screw through the mounting plate fixing hole and then tighten the nut (see Fig. C). Tighten all screws on the mounting plate.

8. Check whether there is a gap between the integrated sink appliance and the cabinet. If so, fill the gap with sealant to prevent water leakage from damaging the cabinet.

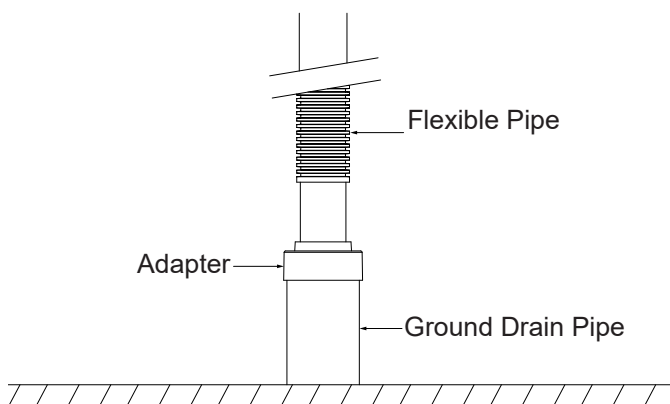
NOTE: If installing or removing the water inlet pipe for the faucet or dishwasher is difficult after installing the integrated sink appliance, you can achieve this by removing some of the water outlet pipe fittings. Reinstall the removed water outlet pipe fittings after installing the water inlet pipe for the faucet or dishwasher, and tighten all the nuts.

9. Connect the faucet inlet pipe to the angle valve and lock the connection according to the faucet installation instructions.

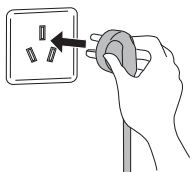


10. Connect the dishwasher inlet pipe to the inlet valve.
 - A. Place the filter between inlet pipe and inlet valve and connect the inlet pipe to the inlet valve. (* Inlet pipe threaded joints and filters may differ slightly with model)
 - B. Tighten the nut gently by hand and then tighten the nut in half a turn by using wrench (correct tightening torque: 5 N/m-10 N/m).

NOTE: Wire mesh side of the filter faces toward the inlet valve.



11. Connect the flexible pipe to the ground drain pipe and lock the connection. The flexible pipe, adapter and ground drain pipe can be fixed with sealant.
12. Open the faucet to fill the sink and verify that all connections are locked and free of water seepage and leakage. After confirmed, drain the sink to ensure smooth drainage of the drainpipe.



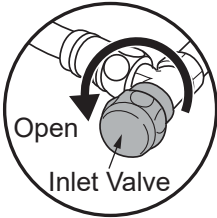
13. Insert the power plug-in to the socket.

Dishwasher Trial Operation

1. Procedures of Trial Operation



Program Button Power Button



NOTE:

- If trial operation is not feasible due to unavailability of water and electricity, be sure to perform trial operation after water and electricity become available. (Do not fill water manually).
- Check that the power supply is on and the inlet valve is opened.

Perform trial operation in the order stated below.

1. Open the inlet valve. Check that the door is closed. (If the door is not closed, trial operation cannot be performed and audible alarm will be triggered)
2. Press both the program and power buttons together.
3. Press the operational button once within 3 seconds after releasing the power and mode buttons. The trial operation begins at this time.

NOTE: Confirm After trial operations, the power will automatically be shut off, and the screen's display will be turned off.

2. Checks to Perform Trial Operation

A. During Operation:

Noise from nozzle: Check that splats are generated (After a certain quantity of water is supplied, the nozzle will rotate while spraying water. Therefore, splats will be heard).

Water leakage: Water should not leak out from the connections of the inlet pipe and drain pipe and other parts.

B. At the End:

Hear a “beep” for 6 times and the power is turned off automatically.

Drainage: Open the door and check that there is no water remaining inside.

Power off: Check that no water flows out of the outlet when the power is turned off.

NOTE:

- Keep the inlet valve open after trial operation is completed.
- Close the master valve on the running water pipe to prevent water leakage if this product will not be used for a long time.
- Fully drain water when the pipe is likely to become frozen (otherwise the inlet valve may be damaged, resulting in water leakage).

3. Abnormal Alarm Indicator Description

If the display shows any of the following fault codes during trial operation (the code flashes and audible alarm is generated), take the measures listed below.

NOTE: Perform trial operation again after the fault is eliminated.

Fault Code	Fault Code Description	Corrective Actions
U 14	Poor water supply	<ul style="list-style-type: none">• Turn off the power supply and check whether the inlet valves or main water pipe valves at home are opened.• Confirm that water pipes, etc. are frozen.
门未关	Door opened during operations	Close the door and start operations again.
H00	A code with H and two digits indicates a System failure	Stop using the device immediately, cut off power, close inlet valves. Consult Kohler's customer service center and inform the fault code (2 digits after H). However, refer to below when H21 and H40 are displayed
H21	Water leakage or spill	Close the inlet valve or main domestic water pipe valve and contact Kohler's Customer Care Center immediately. Do not unplug the power plug or turn off the circuit breaker, otherwise the pump will not act, and cannot be drained forcibly.
H40	Poor water drainage	Turn off the power supply and check the drain pipe. Clean the filter, and try again (Refer user manual or more information). Contact Kohler's Customer Care Center if problems persist after the above treatment.

Post-installation Inspection

Perform trial operation again after the fault is eliminated.

Inspection Item		Contents	Reference Page	Inspection Item
Product and the Surrounding	Opening and closing of the door	Are the requirements for the installation of the door met?	Page 28,30	
	Gap between the sink and the cabinet (Is the Integrated Sink appliance unstable or shaking after opening the dishwasher basket?)	Is the gap between the sink and the cabinet is fully sealed? Are screws and nuts of mounting plates locked? Is the Integrated Sink Appliance firmly fixed with the cabinets on both sides?	Page 34	
Connection of the inlet pipe and the drain pipe	Filter	Has the filter been installed between the inlet pipe and the inlet valve? Is water leaking from the connection between the inlet pipe and the inlet valve?	Page 35	
	Installation of the drain pipe	Is the drain pipe reliably installed at a proper place? Is the drain pipe not compressed, bent, or lifted? Are there any leaks at the connections between the inlet and the drain pipe?	Page 28, 29, 31, 32, 33 and 36	
Electrical connection		Is this product connected separately to a single-phase bipolar AC 220 V socket with rated current of 10A?	Page 26	
Trial operation		Has a trial operation been conducted and is the operation normal?	Page 37 and 38	

Packing List

No	Item	Quantity	SKU
1	Integrated Sink Appliance Main Body	1 pcs	-
2	dishwasher	1 pcs	26594T-NA
3	40 S-Trap for Single Basin	1 pcs	1506735
4	EASY CLEAN STRAINER,DBL FIL,114MM	1 pcs	77804T-NA
5	PULL OUT PLASTIC COLONDER	1 pcs	1506719
6	WHITE PLASTIC COLANDER	1 pcs	1301778
7	SMALL PLASTIC COLANDER	1 pcs	1247613
8	Soap Dispenser Hole Cover	1 pcs	1127258
9	Skirting Board	1 pcs	1520489
10	Expansion bolt	2 pcs	-
11	strapping tape	4 pcs	-
12	Warranty Card	1 pcs	-
13	Homeowner's Guide	1 pcs	1534864-T5
14	Installation Instructions	1 pcs	1520639-T2
15	Service Parts Page	1 pcs	1520640-T8

CARE AND CLEANING

Stainless Steel Sink

- Rinse your stainless steel sink thoroughly after each use, and use a dabbing action to dry with a clean, soft cloth. Clean stainless steel once a week.
- Always apply stainless steel cleaner/polish with a nonabrasive cloth or sponge, working with, not across the grain. Do not use steel wool, wire brushes or abrasive pads to clean your sink.
- If you use cleaners containing chlorides, be sure to rinse the surface immediately after you clean it to avoid corrosion. Do not allow cleaners to remain in contact with the sink surface for long periods of time.
- Do not use wet cloth, water or other liquid to clean the undercoating on the back of the sink.

Cabinet body and Tempered Glass Panel

- Be sure to turn off power before performing maintenance.
- Do not hit or scratch the cabinet and glass panel with hard objects.
- Do not use bleach, cleanser, diluent, volatile oil, detergent, wax, pesticide, etc., which may cause damage or discoloration.
- Follow the instructions when using chemical rags.
- Wipe glass panel with a tightened soft cloth.



Mainland China: +(86) 800 820 2628, +(86) 400 820 2628
www.kohler.com.cn

THE BOLD LOOK
OF **KOHLER**®

©2022 Kohler Co.



1520639-T2

1520639-T2-A