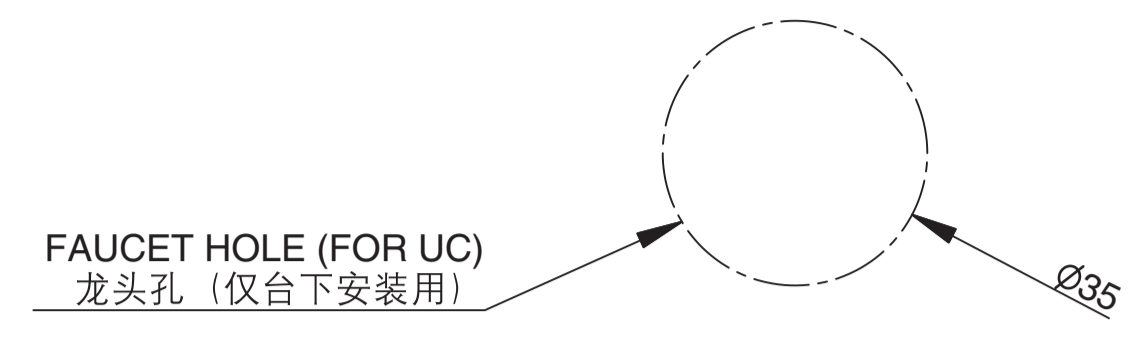


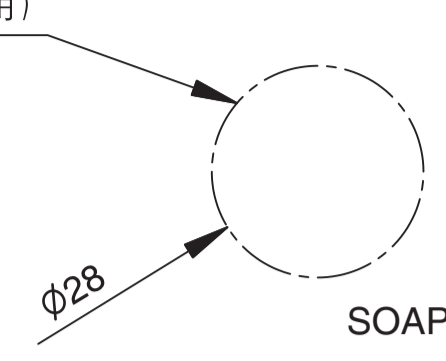
R10mm

WHEN PLOTTING TEMPLATE FULL SIZE:
Make sure horizontal and vertical dimensions match the dimensions labeled on the template.

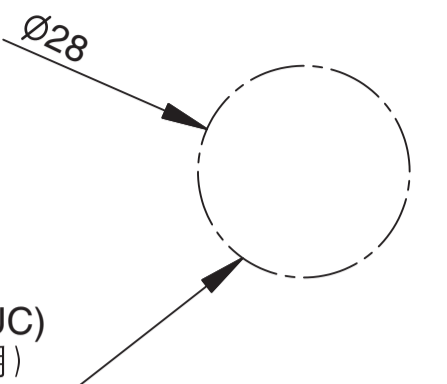
当在台面上一比一描绘切割线时,
务必确保模板的水平 and 垂直尺寸与模板上标注的一致。



REMOTE CONTROL HOLE (FOR UC)
台控孔 (仅台下安装用)



SOAP DISPENSER HOLE (FOR UC)
皂液器孔 (仅台下安装用)



KOHLER

K-36354T MALLECO 玛亚科

SGL SR/UC/TI SINK 大单槽台上台中台下多用厨房 CUT-OUT TEMPLATE / INSTALLATION INSTRUCTIONS 切割图/安装说明书

BEFORE YOU BEGIN

- WARNING: Risk of personal injury. Metal surfaces are sharp and can cause severe cuts. Use gloves and handle sink edges carefully.**
- Read the installation instructions before using the product.
 - Observe all local plumbing and building codes.
 - Shut off the hot and cold water supplies.
 - Prior to installation, unpack the new sink and inspect it for damage. Return the sink to its protective carton until you are ready to install it.
 - Inspect the drain and supply tubing. Replace if necessary.
 - All information in these instructions is based on the latest product information available at the time of publication. Kohler china reserves the right to make changes at any time without notice.
 - This product complies with Q/KLCW 1.

安装之前

- 警告:** 小心人身伤害。金属表面非常锋利,可能致严重的划伤。请使用手套,并小心接触水槽边缘。
- 使用产品前请阅读使用说明书。
 - 遵循当地所有的管道和建筑规范。
 - 关闭冷热水供应。
 - 在安装之前,请打开新水槽的包装,检查产品是否有损坏。将水槽放回其保护性的纸箱包装,直到您准备安装。
 - 检查供水和排水管道。如果需要,请更换管道。
 - 此手册中的所有资料按照出版时的最新产品资料编写。科勒公司保留在任何时候不需通知便可进行更改的权利。
 - 本产品符合Q/KLCW 1。

INSTALL THE NEW SINK

1. Preparation

- WARNING: Risk of personal injury. Metal surfaces are sharp and can cause severe cuts. Use gloves and handle sink edges carefully.**
- For new installations:**
- Cut along the line dedicated to the installation type as you desire.
 - Carefully place the cutout template on the countertop in the desired position.
 - Make sure the sink will not interfere with the cabinet.
 - Trace the cutout template outline onto the countertop.
 - Drill a pilot hole inside the cutting line. Using a jig or keyhole saw, cut along the outline to cut out the opening in the Countertop.
- For existing installations:**
- Carefully lift the old sink out of the countertop.
 - Compare the existing cut-out hole to the required cut-out size.
 - If needed, enlarge the cut-out hole according to the directions for new installations.

安装新水槽

1. 准备安装

- 警告:** 小心人身伤害。金属表面非常锋利,可能致严重的划伤。请使用手套,并小心接触水槽边缘。
- 对于新安装:**
- 请沿着您期望安装方式剪切切割模板。
 - 细心地将切割模板放在厨房工作台上您希望安装水槽的位置。
 - 确保水槽不会和橱柜互相干扰。
 - 请在工作台面上画下切割模板的轮廓。
 - 在切割线内部钻一个导向孔。使用剑齿锯或锁眼锯,沿着轮廓线进行切割,在工作台面上切割出水槽安装孔。
- 对现有水槽更换,进行新水槽安装:**
- 细心地将旧水槽取出厨房工作台面。
 - 比较现有的切割出来的水槽安装面积的大小和新水槽所要求的面积大小。
 - 如果需要,根据安装指南扩大切割孔。

RECOMMENDED TOOLS AND MATERIALS

- Safety Glasses
 - Measuring Tape
 - Pencil
 - Drill
 - Putty Knife
 - Silicone Sealant
 - Pipe Wrench
 - Plumbers Putty
- Plus:**
- Level
 - Cross Screwdriver
 - Keyhole/Jigsaw
 - Gloves

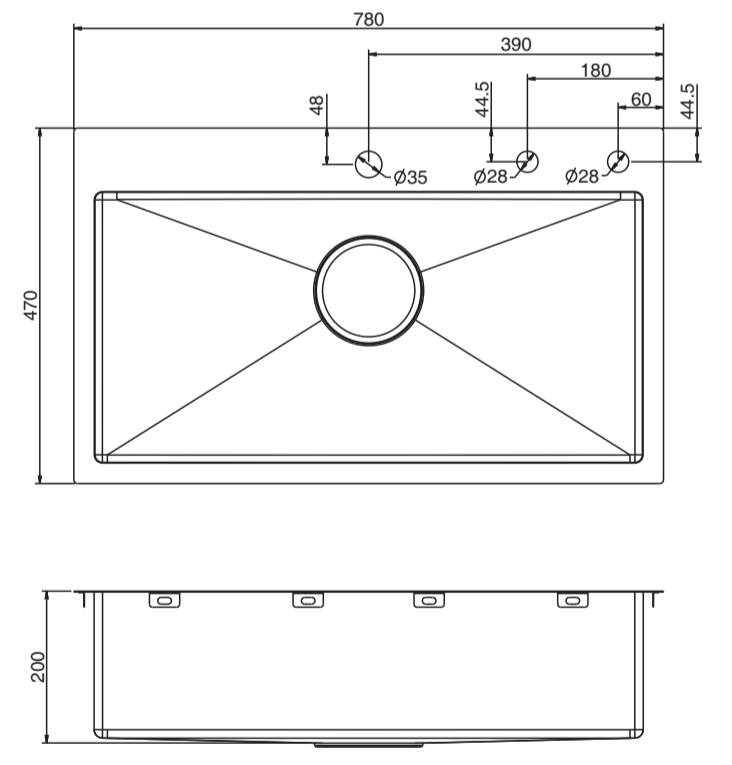
推荐使用的工具和材料

- 安全眼镜
 - 测量尺
 - 铅笔
 - 钻孔机
 - 灰泥刀
 - 硅胶
 - 管道扳手
 - 管道用灰泥
- 其它:**
- 水平尺
 - 十字螺丝刀
 - 锁眼锯或剑齿锯
 - 手套

ROUGHING-IN

Reference Value
参考值

T=0.8/1.0/1.2/1.5/2.0
厚度: 0.8/1.0/1.2/1.5/2.0



Kohler reserves the right to change marked dimensions without prior notice.
科勒公司保留随时变更图中标示尺寸的权利,无需另行通知。

UNIT: mm
单位: 毫米

2. Install the Faucet Fitting and Drain

- Install the faucet overflow pipe and strainer according to the manufacturer's instructions.
- NOTE:** If you are reusing fittings from an old sink, use plumbers putty under the faucet base and top flange of the strainer.

2. 安装龙头和排水装置

- 根据生产商的指示安装龙头溢水管和下水器。
- 注意:** 如果您采用旧水槽的有关装置,在龙头底部基础部位和下水器的顶部法兰处使用管道密封胶。

3. Install the Sink

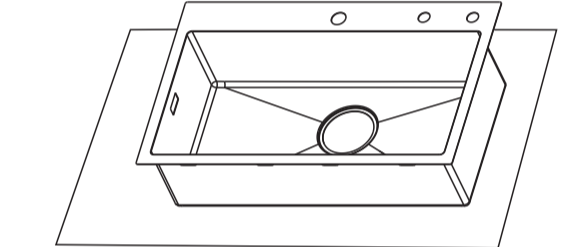
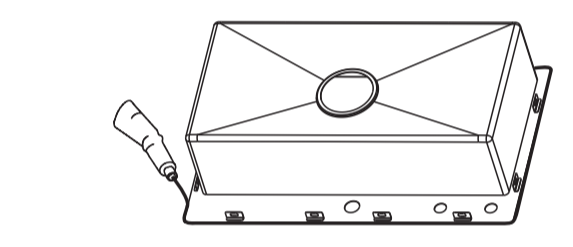
- A. Self-rimming Installation**
- Install the clips into hole of the hook.
 - Adjust the clip teeth parallel to the sink edge.

3. 安装水槽

- A. 台上安装**
- 将夹子按图示挂在小槽背面的安装孔上。
 - 将夹子的齿靶调整为平行于水槽边的方向。

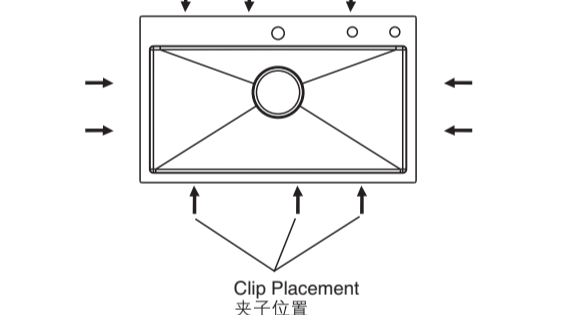
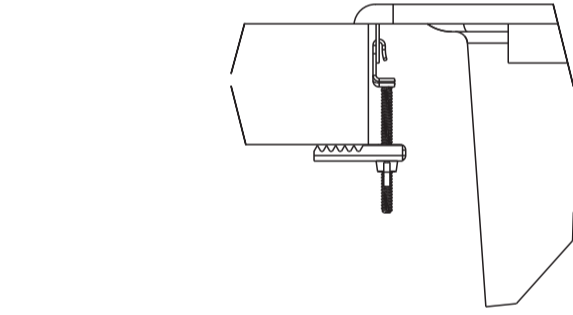
- Apply a bead of quality sealant on the back rim of the sink.
- Position the sink onto the cut-out area. Don't loose the clips.
- Tighten the screws to lower the sink rim down onto the countertop. Do not overtighten.
- Use a dry cloth to wipe away any excess sealant.
- Verify that there are no gaps.
- Allow the sealant to cure for at least 30 minutes.

- 在水槽边缘背面涂上一层优质密封胶。
- 将水槽置入切割区域,注意不要将夹子碰掉。
- 拧紧螺丝,将水槽边缘向橱柜台面拉近。请不要拧得过紧。
- 用一块干布,擦掉任何多余的密封胶。
- 确认没有任何缝隙。
- 让密封胶凝固至少三十分钟时间。



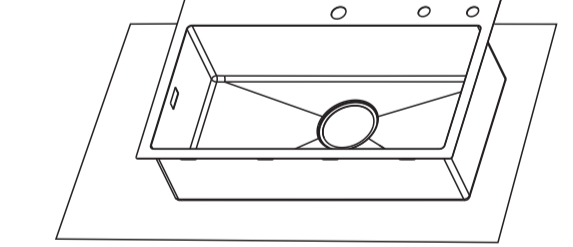
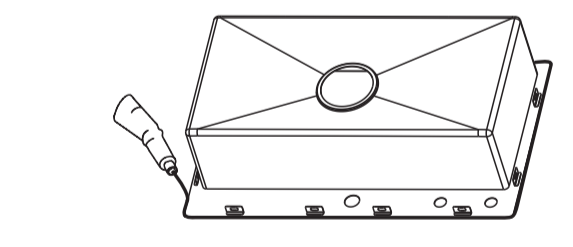
- B. Tile in Installation**
- Place the sink into the cut-out hole, and adjust it to a proper position.
 - Trace the outside outline of the sink onto the countertop.
 - Polish the inner side of the outside outline until the inner side is about 2.5mm lower than the countertop.
 - Install the clips into hole of the hook.
 - Adjust the clip teeth parallel to the sink edge.

- B. 台中式安装**
- 先将水槽放入切割孔内,并调整至期望位置。
 - 画下水槽外轮廓线。
 - 打磨水槽外轮廓线内区域使台面水槽外轮廓线内低于台面约2.5mm。
 - 将夹子按图示挂在小槽背面的安装孔上。
 - 将夹子的齿靶调整为平行于水槽边的方向。



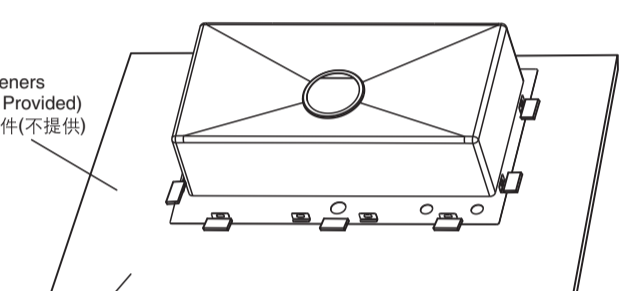
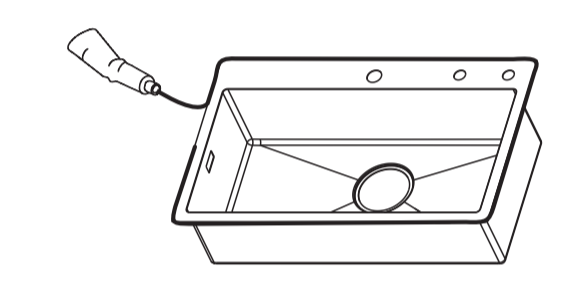
- Apply a bead of quality sealant on the back rim of the sink.
- Position the sink onto the cut-out area. Don't loose the clips.
- Tighten the screws to lower the sink rim down onto the countertop. Do not overtighten.
- Use a dry cloth to wipe away any excess sealant.
- Verify that there are no gaps.
- Allow the sealant to cure for at least 30 minutes.

- 在水槽边缘背面涂上一层优质密封胶。
- 将水槽置入切割区域,注意不要将夹子碰掉。
- 拧紧螺丝,将水槽边缘向橱柜台面拉近。请不要拧得过紧。
- 用一块干布,擦掉任何多余的密封胶。
- 确认没有任何缝隙。
- 让密封胶凝固至少三十分钟时间。



- C. Undercounter Installation**
- Apply a bead of silicone sealant or rubber sealant around the inner rim of the sink.
 - Reverse the countertop and fix the sink to the countertop bottom with clips or other fastener.

- C. 台下安装**
- 沿水槽边缘靠近内缘处涂硅密封胶或橡胶密封胶。
 - 将台面倒置,使用安装夹或其它固定件将水槽固定于台面底部。



- Use a dry cloth to wipe away any excess sealant.
- Verify that there are no gaps.
- Allow the sealant to cure for at least 30 minutes.
- Reverse the countertop back and fix into the cabinet.

- 用一块干布,擦掉任何多余的密封胶。
- 确认没有任何缝隙。
- 让密封胶凝固至少三十分钟时间。
- 将台面翻转安装至底柜上。

4. Connect Water Supply and Test

- Install the garbage disposal, if used, according to the manufacturer's instructions.
- Connect and tighten the trap to the strainer, and complete the water supply connections to the faucet according to the instructions packed with the faucet.
- Run water into the sink and check for leaks.

- 4. 连接供水及测试**
- 如果使用垃圾处理器的话,根据生产商指示,安装垃圾处理器。
 - 连接并拧紧下水器和下水管,根据龙头所附的指示完成通往龙头的供水连接。
 - 将水注入水槽,检查是否漏水。

CARE AND CLEANING

Stainless Steel

Rinse your stainless steel sink thoroughly after each use, and use a dabbing action to dry with a clean, soft cloth. Clean stainless steel once a week.

Always apply stainless steel cleaner/polish with a nonabrasive cloth or sponge, working with, not across the grain. Do not use steel wool, wire brushes or abrasive pads to clean your sink.

If you use cleaners containing chlorides, be sure to rinse the surface immediately after you clean it to avoid corrosion. Do not allow cleaners to remain in contact with the sink surface for long periods of time.

Kohler kitchen sink accessories, including bottom basin racks, wire rinse baskets, cutting boards and colanders will help protect the surface of your sink.

If the surface becomes excessively dirty, consider using baking soda, or a general purpose cleaner.

Do not use wet cloth, water or other liquid to clean the undercoating on the back of the sink.

保养和清洁指南

不锈钢

每次使用后,请彻底冲洗您的不锈钢水槽,并使用清洁的软布将其擦干。对于不锈钢用品,请每周清洗一次。

请使用非磨蚀性的布或海绵,并用不锈钢专用清洁剂/光亮剂进行清洗,而不要使用带颗粒的清洁剂。请不要使用钢丝球、钢丝刷或者磨蚀性的抹布清洁不锈钢水槽。

如果您使用了含有氯化物的清洁剂,在您清洁水槽之后,请确保立即对水槽表面进行冲洗,以防止腐蚀。不要让清洁剂在您的水槽表面停留过长时间。

科勒厨房水槽附件,包括底部盆架、金属丝冲洗篮、砧板和沥水篮均有助于保护您的水槽表面。

如果水槽表面很脏,使用碳酸氢钠,或普通的清洁剂进行清洗。

不要用水布、水或其他液体清洁水槽背面的底涂层。

724mm

760mm

RIM OF SINK OR
水槽边缘

FOR SR/TI INSTALLATION
CUT ALONG THIS LINE
专用于台上/台中安装
沿此线切割

FOR UNDERCOUNTER INSTALLATION
CUT ALONG THIS LINE
专用于台下安装
沿此线切割