

BEFORE YOU BEGIN

- Thank you for choosing the Bold Look of Kohler. Kohler craftsmanship offers you a rare combination of proven performance and graceful sophistication that will satisfy you for years to come. The quality and dependability of your Kohler toilet seat will surpass your highest expectations. We're very proud of our products here at Kohler and we know you will be too.
- Please take a few minutes to study this manual. Pay special attention to the Care and Cleaning instructions.
- All information in this manual is based upon the latest product information available at the time of publication. At Kohler, we constantly strive to improve the quality of our products. We reserve the right to make changes in product characteristics, packaging or availability at any time without notice.
- This product complies with JC/T764-2008.

安装之前

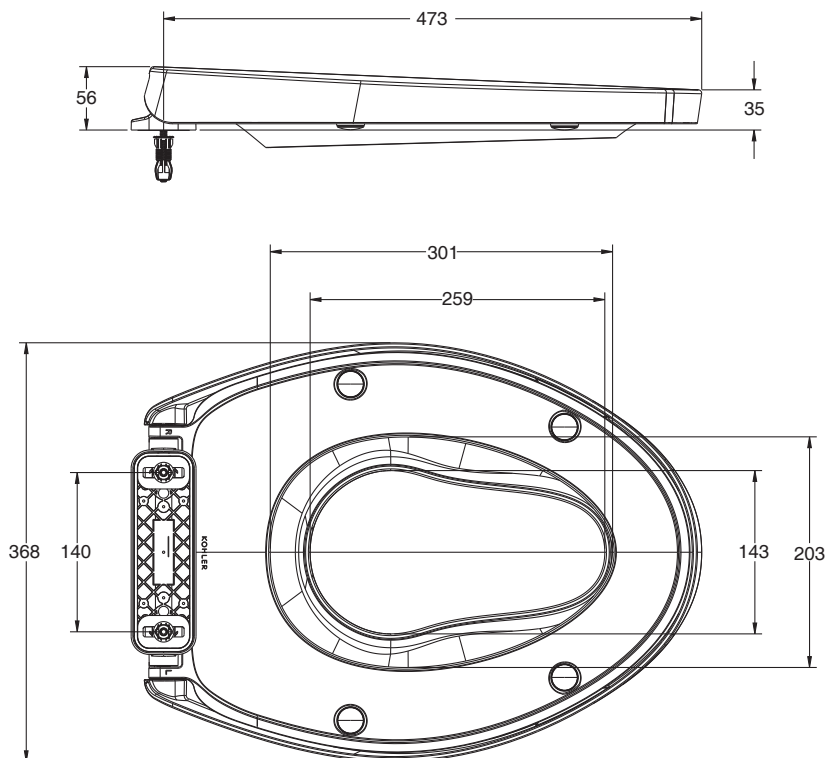
- 感谢您选择科勒公司产品。科勒的精湛工艺为您提供优异性能和雅致外形相结合的完美产品，将使您对今后的使用感到满意。科勒座便器盖板的优异性能和质量将超出您的期望。我们为科勒产品感到骄傲，您一定会有同样的感受。
- 请仔细阅读此手册。并请特别注意保养和清洁指南。
- 此手册中所有信息均来源于此手册发表时最新产品的信息。科勒公司将一如既往地致力于提高产品质量。科勒公司保留随时更改产品规格、包装、或者供货的权利，恕不另行通知。
- 本产品符合 JC/T764-2008。

ROUGHING-IN

尺寸图

Reference Value
参考值

UNIT: mm
单位: 毫米



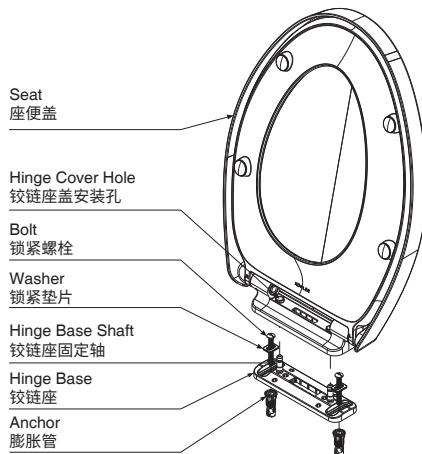
Kohler reserves the right to change marked dimensions without prior notice.
科勒公司保留随时变更图中标示尺寸的权利，无需另行通知。

KOHLER CHINA INVESTMENT CO., LTD NO. 158, JIANG CHANG SAN ROAD,
JING'AN DISTRICT, SHANGHAI, PRC POST CODE: 200436
科勒(中国)投资有限公司 上海市静安区江场三路 158 号 邮编:200436

INSTALLATION (Including Kids Ring Component) 安装 (含小孩座圈)

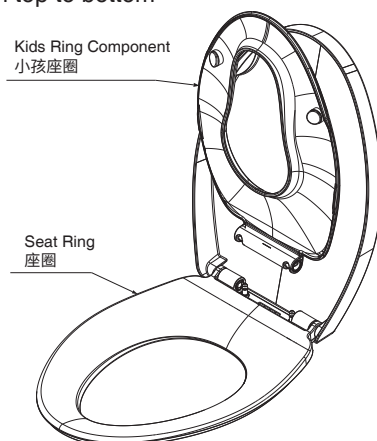
1. After inserting the anchor into the ceramic mounting hole, lock the hinge base on the ceramic with the locking bolt and the locking washer.
2. After the hinge cover hole is aligned with the hinge base shaft, insert the seat from top to bottom and insert both left and right to the end.

1. 将膨胀管插入陶瓷安装孔后，用锁紧螺栓与锁紧垫片将铰链座锁紧在陶瓷上。
2. 铰链座盖安装孔与铰链座固定轴对齐后，将座便盖由上向下插入并使其左、右都插到底。



3. Put down the seat ring as shown in the figure below. After the kids ring component mounting hole is aligned with the hinge base shaft, insert the component from top to bottom and insert both left and right to the end.

3. 如下图所示，放下座圈，小孩座圈安装孔与铰链座固定轴对齐后，将小孩座圈由上向下插入并使其左、右都插到底。



REMOVAL

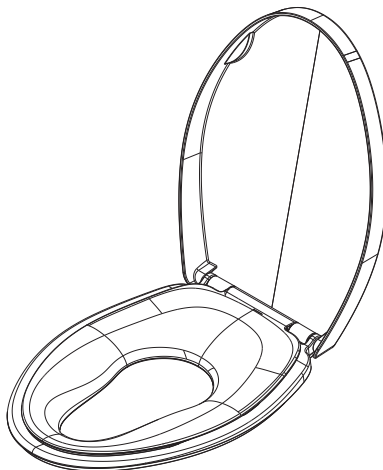
移除

Remove the kids ring component (including decorative cover installation)

移除小孩座圈 (含装饰盖安装)

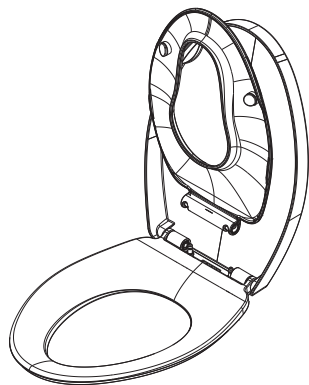
1. Open the seat as shown in the figure below.

1. 如下图所示，请将座便盖打开。



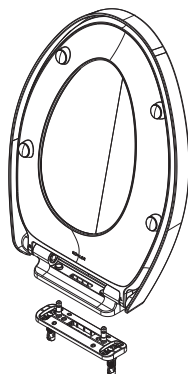
2. As shown in the figure below, open the kids ring component to the upright position and pull up and away from the hinge base.

2. 如下图所示，请将小孩座圈打开到竖直位置，并向上拉离铰链座。



3. As shown in the figure below, open the seat ring and pull up and away from the hinge base together with the seat.

3. 如下图所示，请将座圈打开，并与座盖一起竖直向上拉离铰链座。



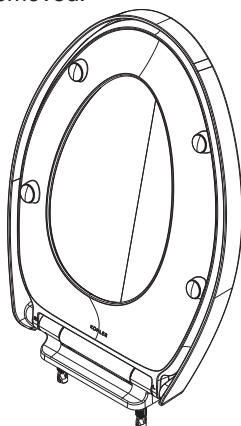
4. As shown in the figure below, separate the seat ring from the seat, insert the decorative cover and lock it with screws.

4. 如下图所示，请将座圈与座盖分开，将装饰盖插入后用螺钉锁紧。



5. As shown in the figure below, insert the seat which has finished installation in step 4 straight down into the fixed shaft of the hinge base. Insert it both left and right to the end. Till now, the kids ring component has been removed.

5. 如下图所示，请将第四步安装完毕的座便盖竖直向下插入铰链座固定轴并使其左、右都插到底。至此，小孩座圈拆除完毕。

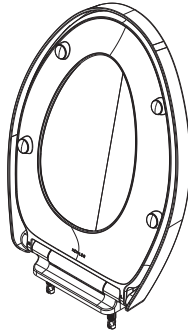


Steps to remove adult seat ring and seat

移除成人座圈，座圈盖步骤

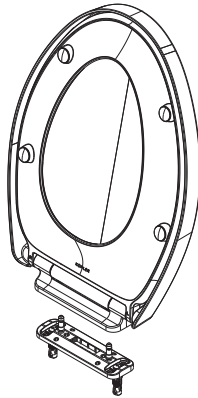
1. Open the seat ring and seat as shown in the figure below.

1. 如下图所示，请将座圈、座盖打开。



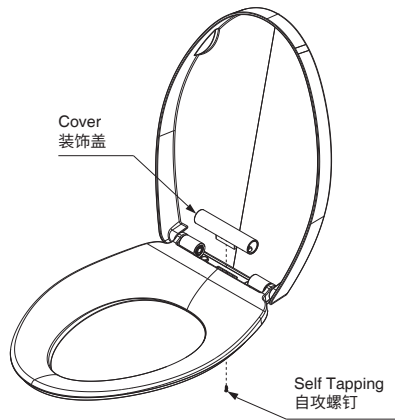
2. As shown in the figure below, pull the seat ring and seat vertically away from the hinge base.

2. 如下图所示，请将座圈、座盖一起竖直拉离铰链座。



3. As shown in the figure below, loosen the screws to remove the decorative cover. Till now, the seat is removed.

3. 如下图所示，松开螺钉将装饰盖拆除。至此，座圈座盖拆除完毕。



IMPORTANT CONSUMER INFORMATION 用户须知

Care and Cleaning

CAUTION: Risk of product damage. Do not stand on the toilet seat. The weight could damage the hinges.

The toilet seat may be completely removed for a complete cleaning. Refer to the "Toilet Seat Operation" section for detailed information.

Clean the outside surface of your toilet seat with mild soap and warm water. Wipe the entire surface completely dry with a clean, soft cloth. You may use soft abrasive cleaners when necessary to clean your toilet seat. Do not use strong abrasive cleaners, as they will scratch and dull the surface. Wipe any splashes of cleaner solutions from plastic or plated surfaces immediately.

If the surface becomes excessively dirty, please use a general purpose cleaner.

保养和清洗

注意：小心产品受损。 座便器盖板上禁止站立，超重可能导致铰链受损。

座便器盖板可以完全拆除，方便彻底清洗。细节请参照“座便器盖板操作”部分。

使用温和的皂液和温水清洁座便器盖板外侧，然后用干净的软布擦干。必要的时候可以使用温和的擦洗剂清洁座便器盖板。禁止使用高浓度擦洗剂进行清洗，可能会擦伤盖板表面，使其失去光泽。使用擦洗剂过程中，对于塑料或者镀层表面产生的任何泡沫，请立即擦干。

如果盖板表面很脏，请使用一般性的洗涤剂。