

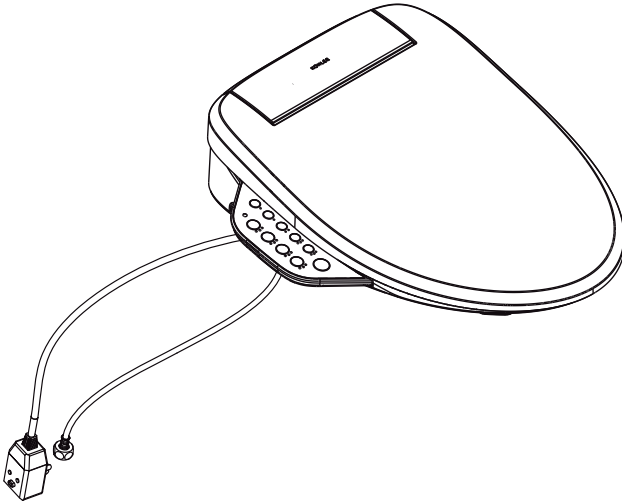
# Homeowners Guide

## 用户手册

Smart Seat

清舒宝智能便盖

C3-150方背系列



科勒（中国）投资有限公司

中国上海市静安区江场三路158号 邮编：200436

制造商：上海科勒电子科技有限公司

中国上海市宝山区丰翔路1955号 邮编：200444

# Table of Contents

CAUTIONS AND WARNINGS.....	3
Specifications.....	5
Thank You For Choosing Kohler Company.....	6
Control Panel.....	6
Operation .....	7
Preparation Before Initial Operation.....	9
Test the Functions.....	10
Care and Clean.....	11
Clean the Spray Wangs.....	12
Remove the Seat.....	13
Clean the Filter .....	14
Exchange Deodorization Block.....	15
Maintenance in Case of Long-term Idle Status .....	15
Troubleshooting.....	16
Description of Content of Hazardous Substances in Product.....	19

# CAUTIONS AND WARNINGS

## SAVE THESE INSTRUCTIONS



**Warning:** Risk of electric shock, fire or personal injury. This product must be installed safely. Connect only to dedicated 220V~, 50Hz, 10A circuit protected by Ground-Fault Circuit-Interrupters (GFCI's) or Earth-Leakage Circuit-Breakers (ELCB's).



**Warning:** Risk of electric shock or product damage. Do not immerse the product into water.

**Important!** Risk of product damage. Do not install at a place where it may be splashed by water.

**Important!** Risk of product damage. Do not install the product at a place with excessive humidity, where moisture may condense at the surface of the product. Please maintain that the usage environment is under adequate ventilation, so as to prevent damage to electronic components.

**Important!** Risk of product damage or property loss. Water leakage may happen if the water pipe connector is pulled or pushed with excessive force.

**Important!** Risk of product damage. The product may be damaged if the nozzle is applied with excessive force.

**Important!** Risk of product damage. The part of the pipe where water may be frozen should be protected by thermal insulation. Any water left in the product may be frozen during the winter season. Please keep the product in room temperature before reinstallation or usage.

**Important!** Risk of product damage. The power shall not be connected before the work is finished. Otherwise it may lead to product failure.

**Attention:** The thermal protector may be out of order during storage or transportation in warm climate which can lead to product failure. Please ensure the product cools to room temperature before reinstallation or usage.

When an electrical product is used, especially when children are near, the following basic safety precautions shall be abided by:

### **Danger-Reduce risk of electric shock:**

- Do not place or store this appliance where it can fall or be pulled into a bath or sink.
- Do not place in or drop into water or other liquid.
- Do not reach for a product that has fallen into water. Unplug immediately.

### **WARNING - To reduce the risk of low grade burns, electric shock, fire or injury to persons:**

- Children, elders or those with disabilities from their body, sensitivity or mental disabilities or lacking of common sense should not use or get close to this product unless under close tutelage. Children are not allowed to use or touch this product. Do not leave children alone in a room with such product.

## CAUTIONS AND WARNINGS (cont.)

- For those children and the elderly who are unable to adjust the temperature, they should ask for help to adjust seat temp, water temp and wind temp of toilet cover to proper gears.
- Use this appliance only for its intended purpose as described in the manual. Do not use attachments not recommended by Kohler Co. such as T-valve etc.
- Do not lean on cover when use this appliance to prevent product from damage.
- Never operate this appliance if it has a damaged cord or plug,if it is not working properly,if it has been dropped into water.
- Install this product properly by following the installation procedure.
- This product shall be repaired by professionals only. The warranty will become invalid if you try to repair this product by yourself.
- When install the product in the room, a stop valve shall be installed in a close proximity. For emergency circumstances, the water inlet valve shall be stopped without using any tools; otherwise unexpected failure may cause the loss to the customer.
- Keep power line far from heated surface.
- Do not drop or insert any substance to pipeline or the opening.
- Do not use this product outdoor or in a place where a particle mist spray device is used,neither at a place of provisions.
- The installation should be subject to the instructions before the power is connected.
- Water should not be poured into the power plug.
- Exposed skin should not make contact with heating seat for too long a time to prevent low temperature burning.
- In case the power line is damaged; to avoid danger, product should be replaced by the manufacturer or the professionals from its maintenance department or similar departments, to avoid the occurrence of danger.
- Please use the water supply hose accompanying with new machine. The old hose assembly shall not be used again.
- When customer cut power supply off, if reactivation of power supply is required, please wait until the end of “beep.....” indication, and then turn on power supply again.

# SPECIFICATION

Water efficiency grade*		Level II	
Water pressure		Min water pressure 0.07MPa (dynamic pressure) Max water pressure 0.74MPa	
Rated voltage		220V~, 50Hz	
Power cord length		About 1.5m	
Rated power*		1100W	
Product outline dimension		About 522mm x 448mm x 130mm	
Weight of product		About 4.5kg	
Inlet water temp		1-35°C	
Operation Environment		1-40°C	
Cleaning	Rear wash	YES, adjustable	
	Front wash	YES, adjustable	
	Water flow (water pressure 0.2MPa)	Max rear wash shall be no less than 500mL/min	
	Spray water temp adjustment	OFF, adjustable 5 dials (ambient temp, about 31-39°C)	
	Single spray duration (Max.)	About 300s	
	Wand position adjustment	5 dials	
	Pulsate cleaning	ON/OFF	
	Oscillation cleaning	ON/OFF	
	Safety device	Water temp overheat protection	Thermal fuse
Back-flow prevention		Check valve	
Comfort	Heated seat	Temp adjustment	OFF, adjustable 5 dials
		Safety device	Thermal fuse
	Cover	Buffering	
	Seat	Buffering	
	Deodorizing function	Yes	
	Dryer	Temp adjustmen	OFF, adjustable 5 dials
Safety devices		Thermal fuse	
Sanitary	Wand self-cleaning	Yes	
	Quick-release body	Push release button	
	Antibacterial material	Seat and cover	
Other function	Other safety devices	Circuit-Breakers	
	Control panel	Located on side panel	
	Seating detection	Located inside the seat	
	Night light	Yes	

\* The description of water efficiency label marked on Bidet: water efficiency label represents a compliance mark of the water efficiency grade etc. performance of Bidet.

\* Power value testing condition: dynamic pressure 0.2MPa, inlet water temp 15°C. Before the test, turn off the seat temperature setting, run seat temperature to the stable status. Deactivate water temperature setting and run water temperature program to the stable status.

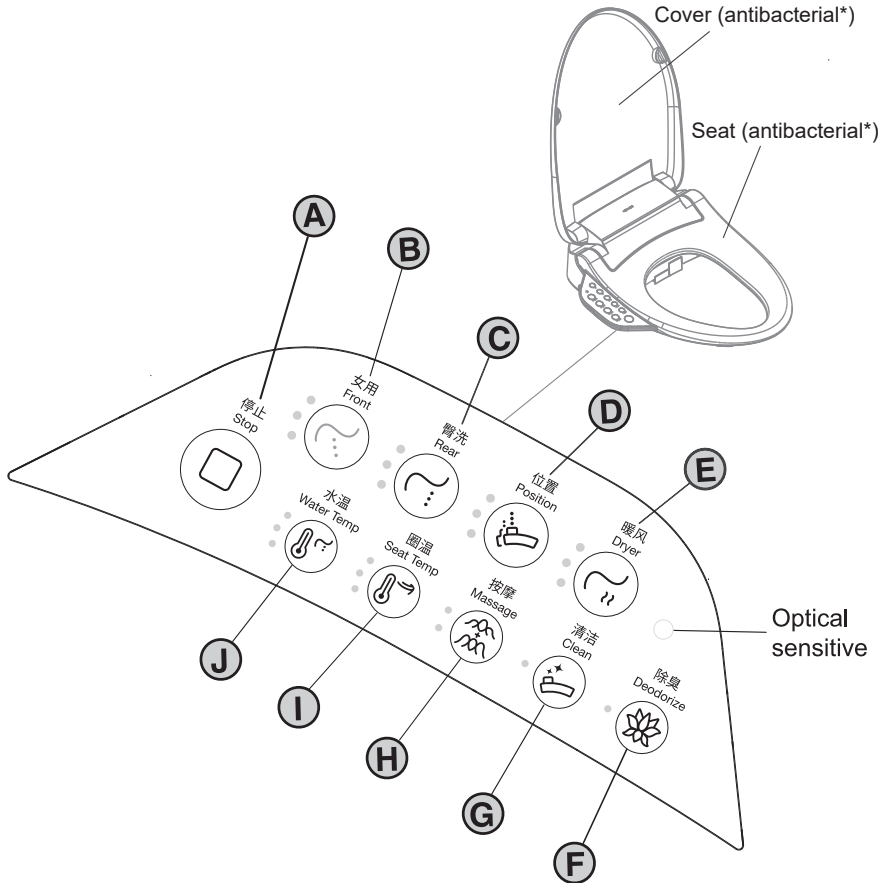
# Thank You for Choosing Kohler Company

Thank you for choosing Kohler. Kohler craftsmanship offers you a rare combination of proven performance and graceful sophistication that will satisfy you for years to come. The dependability and beauty of your Kohler product will surpass your highest expectations. We're very proud of our products here at Kohler and we know you will be too.

Please take a few minutes to study this Homeowners Guide. Pay special attention to the care and cleaning instructions.

All information in this manual is based upon the latest product information available at the time of publication. At Kohler, we constantly strive to improve the quality of our products. We reserve the right to make changes in product characteristics, packaging, or availability at any time without notice.

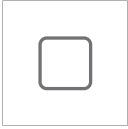
## CONTROL PANEL



\* Antibacterial: the seat and cover contains long term inorganic anti-bacteria material which will inhibit bacteria growth on surface, this does not represent the mildew and other incidental effects. The antibacterial rate is more than 90%. (Perform test in accordance with GB21551.2-2010 requirements. Testing lab: China household electrical appliances testing institute; electromechanical products testing technology center of Shanghai Entry-Exit inspection and quarantine bureau.)

# Operation

## □ A - STOP



When flush or dryer is ON, press button to terminate flush or dryer function. After customer seat-on, deodorizing function auto activated. Press STOP button to terminate deodorizing function when only deodorizer function activated.

## □ B - Front wash



Press front wash when user seat on. Activate female wash (female only) and display current wash strength. If dryer is activated currently, deactivate immediately.

Continue press front wash to exchange spray strength when female wash function is ON. The strength shall circulate per “min dial, min/mid dial, mid dial, mid/max. dial, max dial, mid/max dial”, auto stop after continuous washing for 5min.

Hold FRONT button to turn ON/OFF night light. When turn OFF (long beep), night light OFF; when turn ON (short beep), night light is controlled by light (external light declined, night light ON, otherwise OFF). Night light auto turn OFF when user seat on.

## □ C - Rear wash



Press rear wash when user seat on. Activate rear wash and display current wash strength. If dryer is activated currently, deactivate immediately.

Continue press rear wash to exchange spray strength when rear wash function is ON. The strength shall circulate per “min dial, min/mid dial, mid dial, mid/max. dial, max dial, mid/max dial”, auto stop after continuous washing for 5min.

## □ D - Position move



While washing, press POSITION key to activate oscillate feature; press oscillate key again to adjust wand position setting per short distance, mid/short distance, mid distance, mid/long distance, long distance and mid/long distance circulation.

While unseated, press and hold POSITION key to activate manual clean feature, wand extends (auto retracts after about 5 min) for nozzle manual cleaning. Press and hold POSITION or STOP key again to turn off this feature and the wand retracts.

## □ E - Dryer



Press DRYER button to activate dryer function when seat on. If spray is activated currently, deactivate immediately.

LED indicator shall indicate current dryer temp, continue press dryer button, dryer temp shall circulate per “low, mid/low, mid, mid/high, high, mid/high”, auto stop after continuous operating for 4 min.

□ F - Deodorizer



Press DEODORIZER button to activate or deactivate deodorizer function.  
Hold DEODORIZER button to activate or deactivate deodorizer function.

□ G - Clean



Press CLEAN button when it is under seat leave status, auto clean nozzle.

□ H - Massage



While washing, press MASSAGE each time, it will circulate by oscillation, pulsation, pulsation + oscillation, stop pulsation + oscillation (return to front wash or rear wash) and lit up corresponding icon. The icon is off if pulsation/oscillation is deactivated (return to front wash or rear wash).

□ I - Seat temp



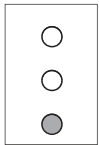
Press SEAT TEMP button to set seat temperature per OFF, low, mid/low, mid, mid/high, high, mid/high circulation when press button each time. If it is under OFF status, LED indicator is OFF. While unseated, press and hold SEAT TEMP key to set ECO feature. Press this key each time, it will circulate by deactivate ECO feature (long beep, night light slow blinks once), normal ECO (short beep, night light quick blinks once), SLEEP feature (short beep, night light slow blinks twice). SLEEP feature: when activate SLEEP feature, SEAT TEMP etc. temperature preservation feature will be deactivated to minimize energy consumption. Press SEAT TEMP key again or seated to exit normal ECO or SLEEP feature.

□ J - Water temp



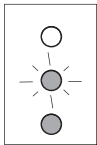
Press WATER TEMP button to set spray water temperature per OFF, low, mid/low, mid, mid/high, high, mid/high circulation when press button each time, and light water temp LED indicator ON. If it is under OFF status, LED indicator is OFF.

□ K - Dial indication



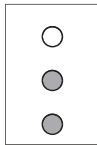
**Low**

Bottom icon is lit



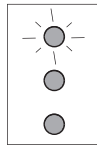
**Mid/Low**

Bottom icon is lit and middle icon flash



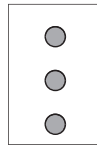
**Mid**

Bottom icon and middle icon are lit simultaneously



**Mid/high**

Bottom icon and middle icon are lit, top icon flash



**High**

Bottom icon, middle icon and top icon are lit simultaneously



## PREPARATION BEFORE INITIAL OPERATION

- Ensure if water inlet valve is OPEN.
- Connect water inlet hose per installation instruction, open water inlet valve, and plug power cord.
- Plug power cord into socket, Bidet seat generate one short beep, wand extend and retract once, side panel backlight and night light blink until initialization completion.
- During initialization process, it is normal to hear motor rotation and water flow sound.
- Ex-work status setting for initial use:
 

Female wash:	Water temp: mid
• Water flow: mid	Seat temp: mid
• Spray position: mid	Air temp: mid
	Night light: ON
Rear wash:	Energy saving: OFF
• Water flow: mid	Auto deodorization: ON
• Spray position: mid	



## TEST THE FUNCTIONS

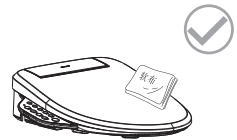
- Wrap the seat with plastic wrap to prevent water from spraying from the toilet during testing.
- The seat is designed not to function without an occupant. To activate the seat controls for testing purposes, when facing the toilet, place your hand or a damp wash cloth on the right side of the seat approximately 1/3 from the front of the seat (as illustrated).
- Proceed to the “Control Panel” and “Operation” selection to test the various seat functions.

## CARE AND CLEAN

For best results, keep the following in mind when caring for your KOHLER products.

**IMPORTANT!** Do not immerse product in water.

- **TEST** – Always test your cleaning solution on an inconspicuous area before applying to the entire surface.
- **DO NOT IMMERGE WITH DETERGENT** – do not immerse product with detergent.
- **AVOID ABRASIVE MATERIAL** – use a soft, dampened sponge or cloth. Never use an abrasive material such as a brush or scouring pad to clean surface.
- **CLEAN** – Wipe away any cleaner immediately after cleaner application. Wipe away and dry any overspray that lands on nearby surface.



## CLEAN SEAT

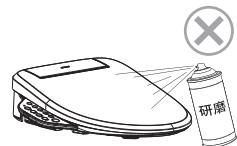
- Do not use abrasive detergent and sterilizing aerosol spray products

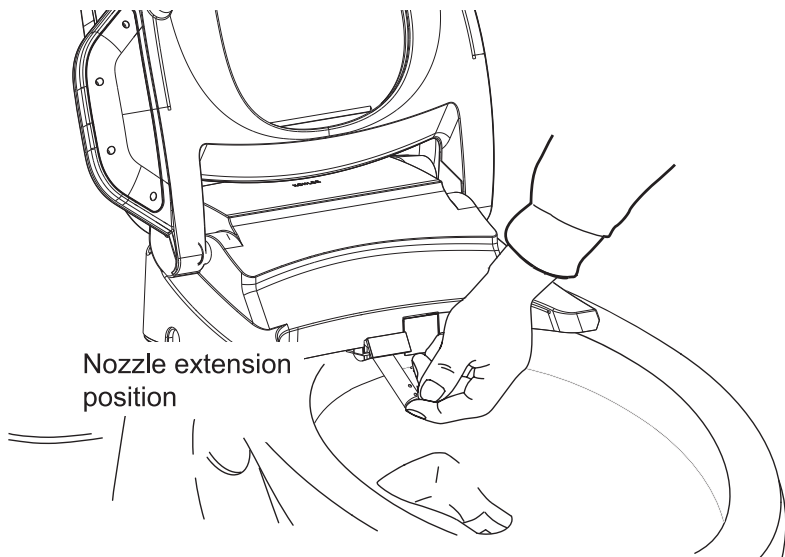
Caring indication: use detergent and water mixture or any other detergent listed for seat cleaning products to clean seat; use a soft, dampened sponge or cloth. Wipe away and dry with soft towel, natural dryer seat in the air.

- No corrosive chemical products or cosmetics (such as nail polish or aftershave solution) allowed contacting with seat to avoid surface damage.

**NOTE:** disobey these cleaning instructions could void the Kohler warranty.

**NOTE:** cleaning process success shall be determined by water hardness and temperature, accurate component quantity, cleaning specification modification

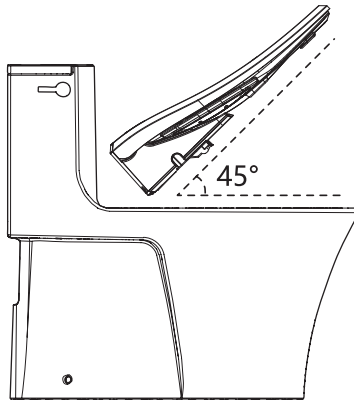




## CLEAN THE SPRAY WANDS

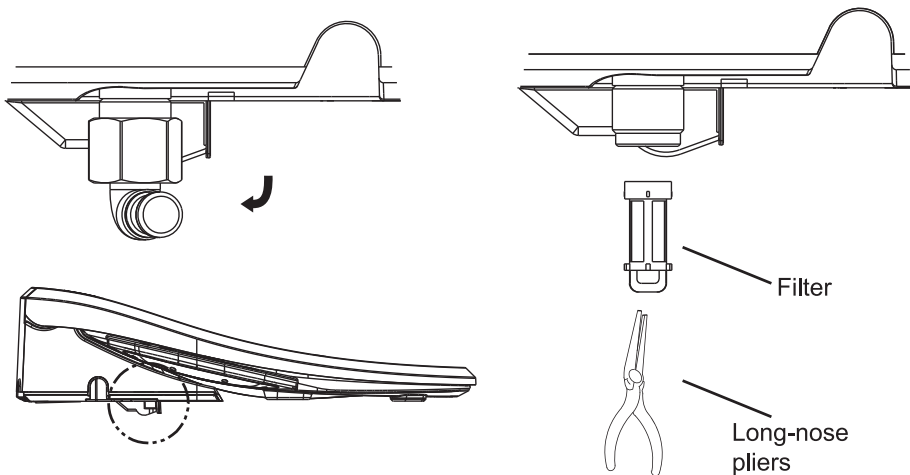
Note: The spray wands can only be extended for cleaning when the set is not activated or occupied.

- Raise the cover and seat.
- Press and hold POSITION key and clean the nozzle with a soft-bristle brush after the wand is fully extended.
- After nozzle is cleaned, hold and press POSITION or STOP key to retract the wand or wait for the wand auto retracts.



## REMOVE THE SEAT

- Turn off the water supply.
- Flush the toilet to relieve any pressure from the water supply hose.
- Unplug the seat from the electrical outlet.
- Disconnect the water supply hose from the T-valve.
- Push in the release button.
- Slide the seat forward to disengage the seat from the mounting plate.

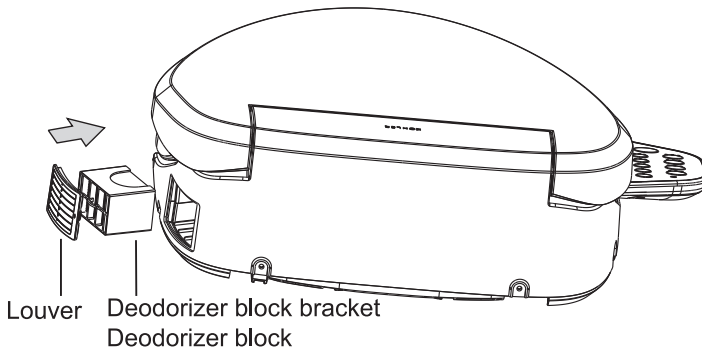


## CLEAN THE FILTER

**IMPORTANT! Risk of product damage.** Please service carefully to avoid any connector damage.

Please clean the screen timely while the water volume is reduced or not water comes out

- Turn off the water supply.
- Press “RELEASE” button, slide the seat forward to disengage the seat from the mounting plate.
- Disconnect the water supply hose from the seat.
- Dismantle seat cover water supply hose.
- Remove filter from product water inlet by long-nose pliers (as shown).
- Clean the filter with a soft-bristled brush.
- Reinstall the filter.
- Align threads; reinstall seat cover water supply hose.
- Check all connections for leaks and make any adjustment as needed.
- Turn on the water supply.



Scan the QR code to order the replaced part with the part number 26472T-NA.

## EXCHANGE DEODORIZER BLOCK

**IMPORTANT! Risk of product damage.** Do not use excessive force when dismantle louver, otherwise louver might be damaged.

Please replace the deodorization block timely when the odor can not be removed.

- Take deodorizer louver and deodorizer block from product side surface.
- Hold deodorizer block with finger and dismantle from deodorizer block bracket.
- Reinstall new deodorizer block into deodorizer block bracket. Insert deodorizer block bracket into product.
- Reinstall louver.

**Note:** When take deodorizer block off, please do not insert finger or other objects into deodorizer block cavity to prevent fan or other parts damage.

## MAINTENANCE IN CASE OF LONG-TERM IDLE STATUS

- When the bidet seat will be idle for a long term, please disconnect the power plug, and turn off the tee valve, detach the water inlet pipe and make sure the water inside the inlet pipe is drained completely.
- Before use after long term idle condition, make sure to wash it for several times and the inner pipelines are clean.
- Open cover or add water inside the toilet might avoid the plastic parts yellowing problem caused by backflow air from discharge pipe after residual toilet water evaporated during long-term idle status.

# TROUBLESHOOTING

This troubleshooting guide is for general aid only. A Kohler Authorized Service Representative should correct any electrical problems. For warranty service, contact your dealer or wholesale distributor.

## General Functions

Symptoms	Probable Causes	Recommended Action
1. Function are not working.	<p>A. A power failure occurred.</p> <p>B. The power cord is disconnected.</p> <p>C. Ground-Fault Circuit Interrupt (GFCI) may be tripped.</p> <p>D. User does not enter detecting zone.</p> <p>E. Thermal protector auto protection activated.</p> <p>F. None of the above actions correct the symptom.</p>	<p>A. Wait until the power is restored.</p> <p>B. Insert the power cord into an electrical outlet.</p> <p>C. Reset the GFCI and locate the problem.</p> <p>D. Contact seat detecting zone.</p> <p>E. Place product within ambient temperature for some time.</p> <p>F. Contact a Kohler Service Representative.</p>
2. Seat is loose.	A. Screws and nuts are loose.	A. Tighten the screws and nuts according to the installation guide.
3. Water does not spray out of spray wands or nozzle.	<p>A. Seat does not detect user.</p> <p>B. Water supply stop closed.</p> <p>C. Water supply screen clogged.</p> <p>D. None of the above actions correct the symptom.</p>	<p>A. Adjust sit gesture. No isolation between skin and seat, such as pants etc.</p> <p>B. Turn off power supply, eliminate water supply failure, reload power.</p> <p>C. Refer to "CLEAN THE SCREEN" section.</p> <p>D. Contact a Kohler Service Representative.</p>
4. Night light OFF	<p>A. Ambient light is too bright</p> <p>B. Night light function is OFF</p>	<p>A. Confirm night light is activated when ambient light goes down.</p> <p>B. Refer to Night light activation function in [A-stop] section in the manual.</p>
5. Cold ring temp when seated	<p>A. Ring temp is OFF</p> <p>B. ECO mode is set</p>	<p>A. Refer to Ring temp setting function in [J- ring temp] section in the manual</p> <p>B. Refer to Ring temp setting function in [J- ring temp] section in the manual to exit ECO mode.</p>

## TROUBLESHOOTING (cont.)

### Cleansing Functions

Symptoms	Probable Causes	Recommended Action
6. No water flow.	A. The water supply stop is closed. B. The seat sensor is not detecting the user.	A. Open the water supply stop. B. Refer to activating the seat information in "FUNCTION TEST" section.
7. The water pressure is low.	A. The screen is clogged. B. Insufficient water supply pressure.	A. Refer to "CLEAN THE SCREEN" section. B. Raise water pressure to product required water pressure range.
8. Water stops flowing from the spray wand before finish cleansing.	A. Spray function auto stop after 5min continuous spray. B. The seat sensor is not detecting the user.	A. When necessary, press CLEAN button again. B. Refer to activating the seat information in "FUNCTION TEST" section
9. Dripping water from side wand hole.	A. Product internal high water pressure protection.	A. Normal phenomenon.
10. Dripping water from wand when sit on.	A. Auto discharge internal residual water within wand when nobody use for a long time.	A. Normal phenomenon.

### Slow Close Cover

Symptoms	Probable	Recommended Action
11. The speed of the seat and cover closure varies in summer and winter.	A. Due to changes in room temperature.	A. Normal phenomenon.

### Seat Sensor

Symptoms	Probable	Recommended Action
12. Clean function operate when press the CLEAN button while seat is not occupied.	A. The seat sensor is covered by an object or the seat is wet.	A. Remove any water or object from the seat sensor area.
13. Even sit on, CLEAN function does not work.	A. The seat sensor might not be able to detect you depending on the way you're sitting.	A. Change the way you sit.

## TROUBLESHOOTING (cont.)

### Dryer Function

Symptoms	Probable	Recommended Action
14. The air dryer stops during use.	A. Air dryer auto stops when continue use for 4min.	A. Press the "DRYER" button again.

### Deodorizer Function

Symptoms	Probable	Recommended Action
15. The deodorizer feature doesn't work.	A. The seat sensor is not detecting the user. B. Accidently press STOP button.	A. Refer to activating the seat information in "FUNCTION TEST" section. B. Refer to activating the seat information in "OPERATION" section.
16. Odor is not removed.	A. Deodorizer block failure due to long time use. B. Some people are more sensitive to odor.	A. Exchange deodorizer block. B. None.

### Others

Symptoms	Probable	Recommended Action
17. The seat moves.	A. The bolts for the mounting plate that secure the main unit are loose.	A. Tighten the bolts for the mounting plate.

## Description of Content of Hazardous Substances in Product

### Reclaim Indication

When the product exceeds service life or is unable to use after repair, do not throw the product away in the normal trash. Please dispose the waste electronic parts through a qualified reclamation enterprise. Make sure the product is handled properly. Disposing of product must be done in accordance with the local or national government law.

### Statistics of Contents of Toxic or Hazardous Substances or Elements

Part name	Toxic or Hazardous Substance or Elements					
	Lead (Pb)	Mercury (Hg)	Cadmium (Cd)	Hexavalent Chromium (Cr(VI))	Polybrominated biphenyls (PBB)	Polybrominated Diphenyl Ethers (PBDE)
Plastic Assy.	○	○	○	○	○	○
Control Assy.	×	○	○	○	○	○
PCBA Assy.	×	○	○	○	○	○
Motor Assy.	×	○	○	○	○	○
Wire Harness Assy.	○	○	○	○	○	○
Water Inlet Assy.	○	○	○	○	○	○
Wand Assy.	○	○	○	○	○	○
Heater Assy.	○	○	○	○	○	○
*Remote Assy.	×	○	○	○	○	○
*Battery	○	○	○	○	○	○

○ : Indicates that the substance in the material composition is below the high limits of the current requirements in GB/T 26572.

× : Indicates that at least one of the homogeneous substance in the material composition is below the high limits of the current requirements in GB/T 26572.

\*: Indicate only partial product series contains this substance.

Note: the information provided is based on the supplier data and Kohler inspection results. The product is designed not to hurt the environment. Under current technology, all hazardous materials have been used in the smallest amounts possible. Kohler will strive to reduce the use of these hazardous materials used in this product.



The product “service life for environment protection” is 10 years; Kohler Company will specify product service life based on product characteristics. The product “service life for environment protection” is only effective when the product is used as described in the product specification.

# 目录

安全注意事项.....	21
规格.....	23
感谢您选择科勒公司.....	24
控制面板.....	24
使用方法.....	25
初次使用前准备.....	27
功能测试.....	28
维护和清洗.....	29
清洗喷嘴.....	30
移除座便盖.....	31
清洗过滤网.....	32
更换除臭块.....	33
长期放置不用时的维护.....	33
疑难解答.....	34
产品中有害物质含量的说明.....	37

# 安全注意事项

## 保存这些说明



**警告：触电、火灾或人身伤害的危险。**本产品必须安全接地。只能连接到专用的220V~，50Hz，10A带接地故障断路器或接地漏电保护器的电路中。



**警告：触电或产品损伤的危险。**不要把产品浸入水中。

**重要！产品损伤的危险。**不要安装在水可能溅到的地方。

**重要！产品损伤的危险。**不要把产品安装在过分潮湿的地方，在这种地方，水汽可能凝聚在产品表面。请始终保持使用环境有足够的通风，以防止电子组件的损坏。

**重要！产品损坏或财产损失的危险。**硬推、硬拉水管接头可能造成水渗漏。

**重要！产品损坏的危险。**不要在喷嘴上施加过大的力，否则产品可能损坏。

**重要！产品损坏的危险。**在一些水可能在水管中结冰的地方，要做好水管保温的安排。任何留在产品里的水在冬天储存时都可能结冰。在重新安装或使用前请保证产品暖至室温。

**重要！产品损坏的危险。**在安装工作完成之前不要接通电源，这可能导致产品故障。

**注意：**温暖的气候时，热保护器在存储或运输过程中可能失灵，导致产品不工作。在重新安装或使用前请保证产品冷至室温。

当使用电器产品时，尤其当儿童在场时，应该遵守基本的安全防范，包括如下：

### 危险—降低触电的危险：

- 不要把此产品放置在可能掉落或可能被拉入浴缸及水槽的地方。
- 不要放置或掉到水及其他液体中。
- 不要触及掉进水中的产品，请立刻拔掉电源插头。

### 警告—避免低温灼伤、触电、火灾或人身损伤

- 当儿童、老年人、残疾人，以及身体、感知、智力能力缺陷或经验和常识缺乏的人使用或靠近此产品时，近距离的监护是必需的。儿童不应该被允许使用或接触此产品，不要让儿童独自待在安装有此产品的房间，儿童不应玩耍器具。

## 安全注意事项（续）

- 对于无法自己进行温度调节操作的儿童和老人，需要帮助将座便盖的圈温、冲水温度及风温调节到合适的档位。
- 仅按照手册中所描述的方式使用本产品，不要使用科勒不推荐的附件，如三通等。
- 使用时请勿倚靠在盖板上，以免损坏产品。
- 如果有以下情况请不要使用本产品：电源线、插头及产品有损坏；产品不能正常工作；产品掉入水中。
- 根据安装说明正确地安装本产品。
- 只有专业人士可以修理此产品。不要试图自己维修此产品，否则保修无效。
- 在安装本产品的同一房间中，需要在触手可及的位置安装一个止水阀，用于紧急情况下，无需借助工具即可切断本产品的进水水路；否则本产品的意外故障可能会导致用户损失。
- 使电源线远离加热表面。
- 不要把任何物品掉入或插入管路和开孔处。
- 不要在户外或者微粒喷雾设备正在被使用的地方使用本产品。也不要给在给氧的地方使用本产品。
- 在通电之前必须按照说明书中的要求接地。
- 防止将水淋到电源插头上。
- 请避免长时间让裸露的皮肤接触加热座圈，以免低温灼伤。
- 如果电源线损坏，为了避免危险，必须由制造商、其维修部或类似部门的专业人员更换。
- 必须使用随器具附带的新软管组件，旧软管组件不能重复使用。
- 用户切断电源后，如须再次接通电源，请务必听到“滴，滴...”提示音结束后，再接通电源。

规格				
水效等级*		2级		
供水压力		最小进水压力0.07MPa (动压) 最大进水压力0.74MPa		
额定电压		220V~, 50Hz		
电源线长度		约1.5m		
额定功率*		1100W		
产品外型尺寸		约522mm x 448mm x 130mm		
产品重量		约4.5kg		
进水温度		1-35°C		
使用环境温度		1-40°C		
清洗	臀部冲洗		有, 档位可调	
	女性冲洗		有, 档位可调	
	出水流量(水压0.2MPa时)		臀部冲洗最大档不小于500mL/min	
	清洗水温调节		关、五档可调(室温、约31-39°C)	
	冲洗时间(最长)		约300s	
	喷管位置调节		5档	
	脉冲按摩		开/关	
	移动冲洗		开/关	
安全装置	水温过热保护		温度保险丝	
	逆流防止		单向阀	
舒适	座圈保温	温度调节		关、五档可调
		安全装置		温度保险丝
	盖板		缓降	
	座圈		缓降	
	除臭功能		有	
	暖风	温度调节		关、五档可调
安全装置		温度保险丝		
卫生	喷嘴自清洗		有	
	快速拆除本体		推动释放键	
	抗菌材料		座圈、盖板	
其它功能	其它安全装置		漏电保护器	
	控制面板		位于座圈侧面	
	落座感应		位于座圈内部	
	夜灯		有	
<p>* 智能座便器施加的水效标识的说明: 水效标识表示智能座便器水效等级等性能的一种符合性标志。</p> <p>* 功率值测试条件: 动压0.2MPa, 进水温度15°C, 测试前关闭圈温档位温度, 运行至圈温稳定状态; 关闭水温档位温度, 运行冲洗程序至水温稳定状态。</p>				

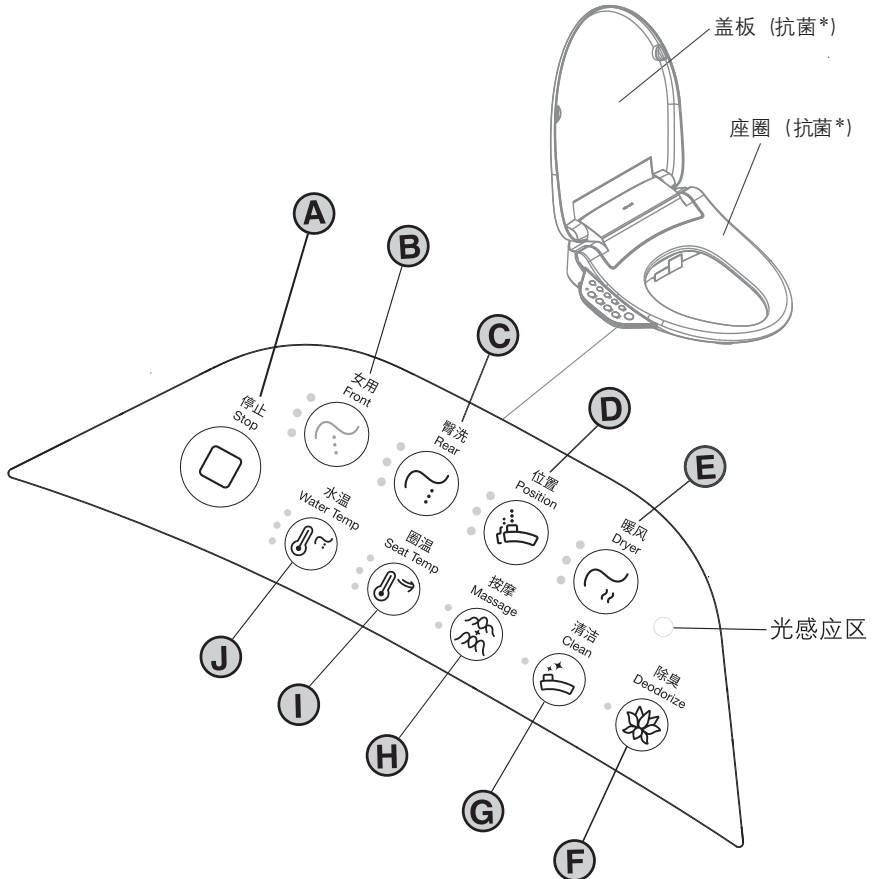
# 感谢您选择科勒公司

感谢您选择科勒。科勒技术提供了可靠性能和优雅生活的结合，满足了您未来几年的需求。科勒产品的美观和可靠性将满足您最挑剔的眼光。我们为我们科勒的产品感到非常地自豪，相信您也会。

请花几分钟阅读一下这本用户手册，特别注意维护和清洗说明。

这本说明书中所有的信息基于最新公开的产品信息。在科勒，我们一贯坚持改善我们产品的质量。我们保留在任何时候不通知的情况下改变产品特性，包装或实用性的权利。

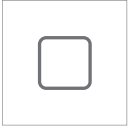
## 控制面板



\* 抗菌：含无机系抗菌材料的座圈、盖板长期抗菌，抑制产品表面的细菌生长，这一加工处理不代表防霉等附带效果。抗菌率大于90%（依据GB21551.2-2010进行试验。测试机构：中国国家电器检测所、上海出入境检验检疫局机电产品检测技术中心）

# 使用方法

## □ A - 停止



在冲洗或暖风开启时，按此键可停止冲洗或暖风功能。用户落座后，除臭功能自动开启。仅有除臭功能开启时，按停止键则关闭除臭功能。

## □ B - 女用



落座时，按女用键，启动女性冲洗（女性专用），并显示现在的冲洗强度。如此时正在使用暖风功能，将被立即停止。

在开启女性功能的状态下，继续按女性键可改变冲洗强度，强度按小档、小中档、中档、中大档、大档、中大档循环变化。连续冲洗5分钟，自动停止。

长按女用按键，可关闭或打开夜灯，关闭时（长音），夜灯不亮；打开时（短音），夜灯受光线控制（外部光线暗则亮，反之则灭）。用户落座后，夜灯自动关闭。

## □ C - 臀洗



落座时，按臀洗键，启动臀部冲洗，并显示现在的冲洗强度。如果此时正在使用暖风功能，将被立即停止。

在开启臀洗功能的状态下，继续按臀洗键可改变冲洗强度，强度按小档、小中档、中档、中大档、大档、中大档循环变化。连续冲洗约5分钟后，自动停止。

## □ D - 位置



在冲洗状态下，按位置键后，启动喷管移动功能；继续按移动键可改变喷管位置，位置按短距离、中短距离、中距离、中长距离、长距离、中长距离循环变化。

离座状态下，长按位置按键，启动手动清洗功能，喷管伸出（约5分钟后自动收回），可对喷头进行手动清洗。再次长按位置或停止按键，停止该功能，喷管收回。

## □ E - 暖风



落座时，按暖风键启动暖风功能，如果此时正在使用冲洗功能，冲洗功能将被立即停止。

指示灯会显示当前的暖风温度，继续按暖风键，暖风温度按低档、中低档、中档、中高档、高档、中高档循环变化。连续工作约4分钟，该功能自动停止。

## □ F - 除臭



按除臭按键，可开启、关闭除臭功能。  
长按除臭按键，可开启、关闭自动除臭功能。

## □ G - 清洁



离座状态下，按清洁按键，可对喷头进行自动清洗。

## □ H - 按摩



在冲洗状态下，每次按按摩按键，按移动冲洗、脉冲按摩、脉冲按摩+移动冲洗、关闭脉冲按摩+移动冲洗(返回女性冲洗或臀部冲洗)循环，并点亮相应的小灯。如果关闭脉冲按摩/移动冲洗(返回女性冲洗或臀部冲洗)，指示灯不亮。

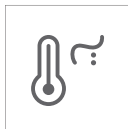
## □ I - 圈温



按座圈温度键可设置座圈温度，每次按键，按关、低档、中低档、中档、中高档、高档、中高档循环，设置座圈温度，并切换点亮圈温参数指示灯。如果是处于关闭状态，指示灯不亮。

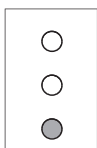
离座状态下，长按圈温按键，可设置节能功能，每次按键，按关闭节能(长音，夜灯稍长时间闪烁1次)、一般节能(短音，夜灯稍短时间闪烁1次)、深度节能(短音，夜灯稍短时间闪烁2次)循环。深度节能：进入深度节能后，座圈加热等保温功能会被停止，以最大限度降低能耗。再次长按圈温按键或落座可退出一般或深度节能。

## □ J - 水温

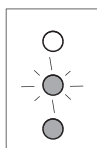


按水温键可设置冲洗水的温度，每次按键，按关、低档、中低档、中档、中高档、高档、中高档循环，设置冲洗水温，并切换点亮水温参数指示灯。如果是处于关闭状态，指示灯不亮。

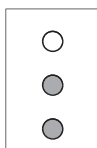
## □ K - 档位说明



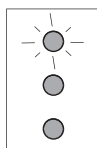
低档  
下灯亮



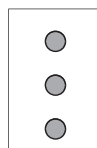
中低档  
下灯亮，中  
灯闪烁



中档  
下灯和中  
灯同时亮



中高档  
下灯和中灯亮，  
上灯闪烁



高档  
下灯、中灯和  
上灯同时亮



## 初次使用前准备

- 确认进水阀是否已打开。
- 按安装说明书接上进水软管，打开止水阀，插上电源。
- 把电源线插上电源插座，座便盖发出短蜂鸣1次，喷管伸缩1次，侧键盘上背光灯 / 夜灯闪烁，直至初始化结束。
- 初始化过程中，可听到电机转动声和流水声，均属正常。
- 初次使用时为出厂设置状态：

女用：	水温：中档
• 水流强度：中档	圈温：中档
• 冲洗位置：中档	风温：中档
	夜灯功能：开启
臀洗：	节能模式：关闭
• 水流强度：中档	自动除臭：开启
• 冲洗位置：中档	



## 功能测试

- 用塑料布包裹着座圈上，防止测试时水从座便器中喷出。
- 座圈设计为落座感应模式。为了激活座圈达到测试的目的，首先面对座便器，然后把手或者一块湿布放在座圈右边离前端大约三分之一处（感应区域）。
- 继续参照“控制面板”和“使用方法”部分来测试座便盖的不同功能。

## 维护和清洗

为了达到最好的效果，在维护您的科勒产品时记住下列几条：

**重要！** 不要用水直接冲洗座便盖。

- **测试** - 首先用清洗液在座便盖不显眼的地方测试，如果确认清洗液不会对座便盖外表造成损坏然后再应用于整个表面。



- **不要让清洁剂浸泡** - 不要让清洁剂浸泡产品。

- **避免表面粗糙的材料** - 使用柔软、潮湿的海绵或棉质布，不要用表面粗糙的材料来清洗表面，诸如刷子、冲刷垫等。

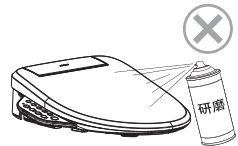


- **擦洗** - 加上清洁剂后，立即用湿布擦洗表面，擦除喷到表面的清洁剂和脏物。



### 清洗座圈

- 在气雾罐中避免有研磨的清洁剂和消毒剂。



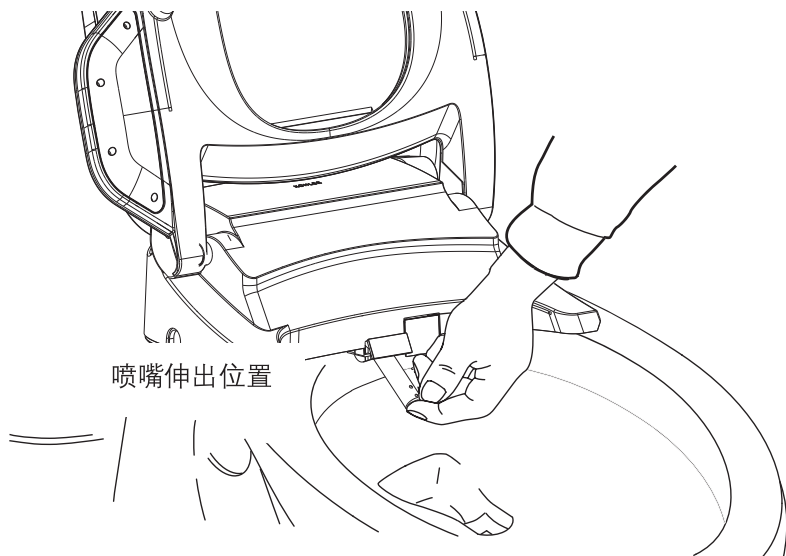
**维护提示：** 用洗涤剂和水混合液体或任何列为可用于座圈清洁的产品清洗座圈，用柔软湿润的海绵或者布。用软毛巾擦干，在空气中让座圈自然干燥。

- 不允许带腐蚀的化学品或化妆品（诸如指甲油或须后水）和座圈接触，避免破坏表面。



**注意：** 不遵守这些清洗说明可能使科勒的保修义务无效。

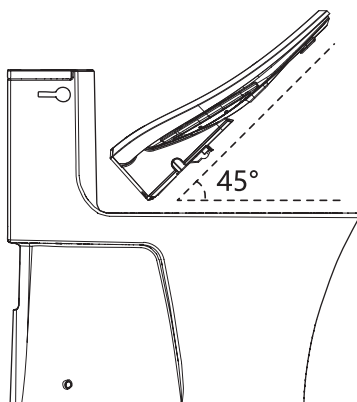
**注意：** 清洗程序的成功取决于诸如水的硬度和温度，使用成分的精确数量，清洗规则的改变和被清洗产品的状态等因素。因为这些因素会有变化，科勒不能保证所提到的规则的有效性。



## 清洗喷嘴

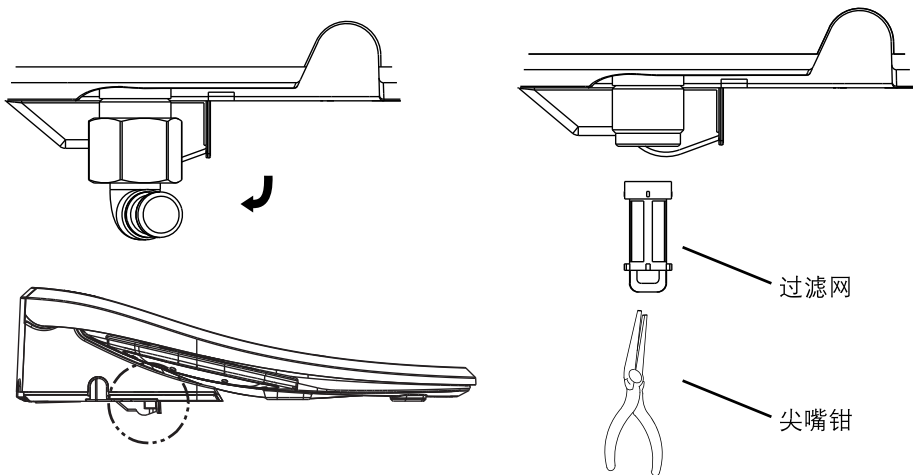
注意：当座便盖不被使用或启动的时候，喷嘴才能伸出以便清洗。

- 翻开上盖和座圈。
- 长按位置键，待喷管完全伸出后，用软鬃毛刷清洗喷嘴。
- 喷嘴清洗完毕后，长按位置或停止键，喷管缩回，或等待喷管自动缩回。



## 移除座便盖

- 关闭供水阀。
- 开启座便器冲洗功能减轻供水管压力。
- 拔掉座便盖电源插头。
- 断开供水管和三通的连接。
- 按释放按键。
- 向前移动座便盖，使座便盖和安装板分离。

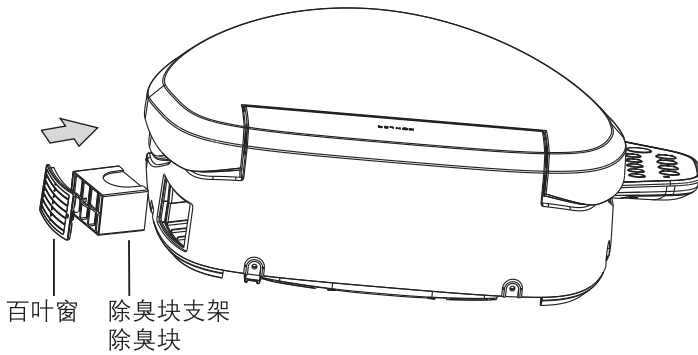


## 清洗过滤网

**重要！产品损坏的危险。** 小心不要造成接头损坏。

当发现冲洗水量变小或出现不出水现象，请及时清洗或更换滤网。

- 关闭供水阀。
- 按释放按键，向前移动座便盖，使座便盖与安装板分离。
- 将供水管旋转出底座。
- 卸下座便盖供水管。
- 用尖嘴钳小心的将过滤网从产品的进水口移出（见图示）。
- 用软鬃毛刷清洗过滤网。
- 重新装好过滤网。
- 小心对正螺纹，重新装好座便盖的供水管。
- 为防泄漏，请检查所有的连接，并做必要调整。
- 开启供水阀门。



扫码查看替换装，型号：26472T-NA。

## 更换除臭块

**重要！产品损坏的危险。**拆卸百叶窗时不能用力太大，否则可能损坏百叶窗。

当发现除臭效果不明显，感觉有异味时，请及时更换除臭块。

- 从产品侧面取出除臭百叶窗及除臭块支架。
- 用手指夹住除臭块，把除臭块从除臭块支架中取出。
- 重新将新的除臭块装入除臭块支架，再将除臭块支架放入产品。
- 重新装上百叶窗。

**注意！**取出除臭块后，请勿将手和其它物体伸入除臭块容纳腔内，以防损坏风机和其它部件。

## 长期放置不用时的维护

- 当准备长期不使用智能座便盖时，请拔掉电源，关闭角阀，拆除进水软管，将进水软管内的水排空。
- 长期不用再次使用时，请务必多进行几次冲洗，确保内部管路清洗干净。
- 长期放置不用时，可能会由于马桶里面水分挥发完毕后，下水道的气体溢出导致塑料件变黄风险，打开上盖或往马桶里面加水可有效避免该问题。

## 疑难解答

这份疑难解答只提供普通帮助。科勒授权的服务代表能解决相关的电气问题。保修服务方面的问题，请联系你的经销商或批发商。

### 一般功能

现象	可能原因	建议措施
1. 机器不工作	A. 停电 B. 未接上电源线。 C. 电源线漏电插头保护开关未复位。 D. 人体未接触座圈感应区域。 E. 热保护器开启自动保护。 F. 以上措施都不见效。	A. 等到电力恢复。 B. 将插头插在插座上。 C. 按下插头上的复位按钮。 D. 接触座圈感应区域。 E. 将产品在室温环境下静置一段时间。 F. 联系科勒服务代表。
2. 座圈松动。	A. 螺丝和螺母未拧紧。	A. 依据安装指导拧紧螺丝和螺母。
3. 喷管不能出水。	A. 座圈未能感应到使用者。 B. 供水阀关闭。 C. 过滤网阻塞。 D. 以上措施都不见效。	A. 调整坐姿。皮肤与座圈之间不能有物体隔离，如裤子等。 B. 关闭电源，排除供水故障，重新通电 C. 查看“清洗过滤网”部分 D. 联系科勒服务代表。
4. 夜灯不亮。	A. 环境光线较亮。 B. 夜灯功能被关闭。	A. 待光线较暗时再确认夜灯被点亮。 B. 参照本手册中的[B-女用]使用方法开启夜灯功能。
5. 落座时感觉座圈偏冷	A. 圈温关闭。 B. 设置了节能模式。	A. 参照本手册中的[J-圈温]使用方法设置圈温。 B. 参照本手册中的[J-圈温]使用方法退出节能模式。

### 清洁功能

现象	可能原因	建议措施
6. 无水流。	A. 供水阀已关。 B. 落座感应器没有探测到使用者。	A. 打开供水阀。 B. 在“功能测试”部分查看激活座圈信息。

疑难解答 (续)		
7. 冲洗水压小。	A. 过滤网阻塞。 B. 供水水压不足。	A. 查看“清洗过滤网”部分。 B. 提高水压到产品要求的水压范围。
8. 完成清洗前水就停止从喷嘴中喷出。	A. 连续冲洗5分钟，冲洗功能自动停止。 B. 落座感应器没有探测到使用者。	A. 如需要，请再次按下冲洗按键。 B. 在“功能测试”部分查看激活座圈信息。
9. 冲洗时有水从喷嘴旁边的孔中流出。	A. 产品内部防止水压过高的保护。	A. 正常现象。
10. 落座时，有水从喷嘴处流出。	A. 长时间无人使用时，将在使用前自动排放喷管内部的残留水。	A. 正常现象。
座圈缓降		
现象	可能原因	建议措施
11. 座圈和盖板的关闭速度在夏季和冬季有所不同。	A. 因室内温度变化。	A. 正常现象。
落座感应器		
现象	可能原因	建议措施
12. 不使用时按下清洗按键，清洗功能启用。	A. 落座感应器被物体覆盖或座位是湿的。	A. 擦拭落座感应器区域的水或异物。
13. 即使坐着，清洗功能也不起作用。	A. 当前的坐姿，落座感应器不能检测到使用者。	A. 变换坐的姿势。
暖风功能		
现象	可能原因	建议措施
14. 使用过程中暖风风机停止工作。	A. 连续使用烘干功能4分钟，风机自动停止。	A. 再次按暖风按键。

## 疑难解答 (续)

### 除臭功能

现象	可能原因	建议措施
15.除臭风机不工作。	A. 落座感应器没有探测到使用者。 B. 误按下停止键。	A. 在“功能测试”部分查看激活座圈信息。 B. 在“使用方法”部分查看激活座圈信息。
16. 气味未消除。	A. 除臭块因使用过久而失效。 B. 某些人对气味特别敏感。	A. 更换除臭块。 B. 无

### 其他

现象	可能原因	建议措施
17.产品松动。	A. 固定产品的安装板的螺丝松动。	A. 拧紧安装板螺丝。

## 产品中有害物质含量的说明

### 回收提示

本产品超过使用期限或经过维修无法正常使用后，不应随意丢弃，请交由有废弃电器电子产品处理资质的企业处理，正确的处理方法请查阅国家或当地有关废旧电器电子产品处理的规定。

### 有害物质统计表

部件名称	有害物质名称					
	铅 (Pb)	汞 (Hg)	镉 (Cd)	六价铬 (Cr(VI))	多溴联苯 (PBB)	多溴二苯醚 (PBDE)
塑料组件	○	○	○	○	○	○
控制类组件	×	○	○	○	○	○
PCBA组件	×	○	○	○	○	○
电机类组件	×	○	○	○	○	○
导线类组件	○	○	○	○	○	○
进水组件	○	○	○	○	○	○
喷管组件	○	○	○	○	○	○
加热组件	○	○	○	○	○	○
*遥控器组件	×	○	○	○	○	○
*电池	○	○	○	○	○	○

○：表示该有害物质在该部件所有均质材料中的含量均在GB/T 26572现行有效版本规定的限量要求以下。

×：表示有害物质至少在该部件的某一均质材料中的含量超出GB/T 26572现行有效版本规定的限量要求。

\*：表示部分机型含有该部件。

注：本表格提供的信息是基于供应商提供的数据及科勒公司的检测结果。本产品应用环保设计理念，在当前技术水平下，所有有害物质或元素的使用已经控制到了最低程度，科勒公司会继续努力通过改善现有技术来减少这些物质的使用。



本产品的“环保使用期限”为10年，科勒公司根据产品设计特性指定该期限。只有在本产品使用说明书所述的正常情况下使用本产品时，“环保使用期限”才有效。