

BEFORE YOU BEGIN

安装之前

- All information is based on the latest product information available at the time of publication. Kohler China Ltd. reserves the right to make changes in product characteristics, packaging, or availability at any time without notice.
- These instructions contain important care, cleaning, and warranty information-**please leave these instructions for the consumer.**
- Make sure that the bath and the finished wall material are completely and correctly installed prior to installing your shower door. Prepare waterproof layer to wall and floor of the showering area. It is not allowed for any presence of electric switches and sockets. Make sure the floor drain runs smoothly.
- Before starting the door installation, lay out and identify all the parts. Use the exploded view illustrated on page 2 for reference.
- For the installation method of customized shower with different dimensions, please refer to this instructions.
- The product complies with QB 2584-2007.

⚠ CAUTION: Risk of injury or product damage.
Tempered glass cannot be cut, drilled or knocked by hard object. Make sure corner area of the glass refraining from knocking so as to cause personal injury due to broken glass.

ATTENTION: Please install this door on Kohler receptors or curbs(Not included). If the curb is not Kohler-branded, please note its top width should be more than 80mm.

IMPORTANT: The shower door requires a flat vertical finished wall. The squareness of the wall is recommended no more than 3mm/m. KOHLER Company won't take responsibility of the installation quality.

Do not use the enclosure for at least 24 hours.
安装后 24 小时内请勿使用淋浴房。



- 说明书中所有的资料是按最新发布的产品资料编写而成。科勒中国有限公司保留任何时候无须通知即可改变产品特性、包装或产品可供类型的权利。
- 说明书包括重要的安装、清洁及保养方面的内容，**请把这些资料交给用户阅读，保管。**
- 确保在安装淋浴房之前已经完整正确地安装了浴室和完工墙面材料。淋浴区墙地面应做防水处理，并不得布置有电器开关、插座。确保地面排水通畅。
- 在进行淋浴房安装之前，请拿出、排列并确认所有的零部件。请参考第 2 页上所示的分解图。
- 对尺寸与本标准产品不同的定制淋浴房，参照本说明书进行安装。
- 本产品符合 QB 2584-2007。

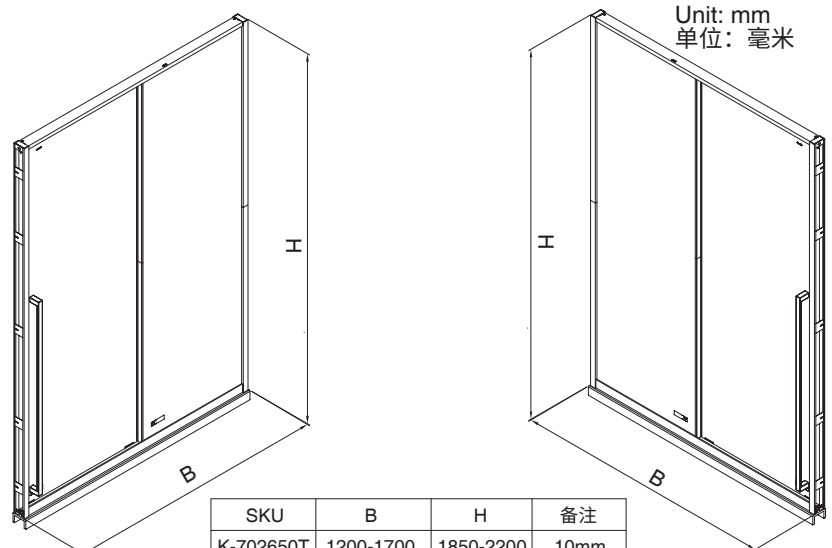
⚠ 警告：可能有人伤害或者产品损坏的危险。
钢化玻璃不能进行切割，钻孔或硬物敲击。搬移或安装过程中，小心确保玻璃边、角部位不受撞击，以防爆裂伤人。

建议：将本产品安装在科勒淋浴盆或挡水条上（需另行购买）。如自备挡水条，建议顶面宽度尺寸大于 80mm。

重要事项：淋浴房需要安装在平坦垂直的墙面上。墙面的垂直度推荐在正负 3mm/m 以内。如果超出此范围，科勒公司将不保证淋浴房的完美使用。

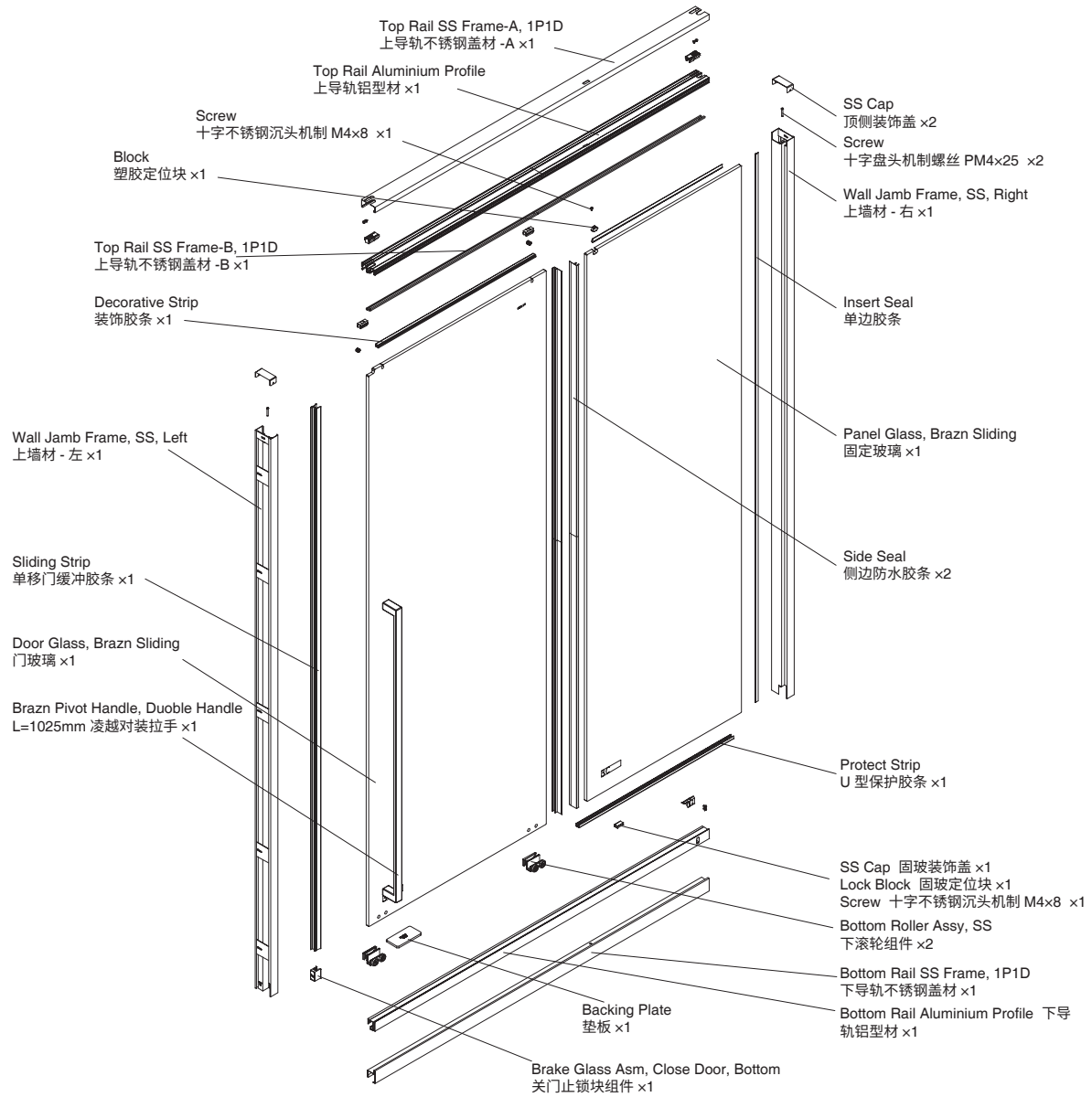
ROUGHING-IN

尺寸图



SKU	B	H	备注
K-702650T	1200-1700	1850-2200	10mm
K-702654T	1200-1700	1850-2200	8mm

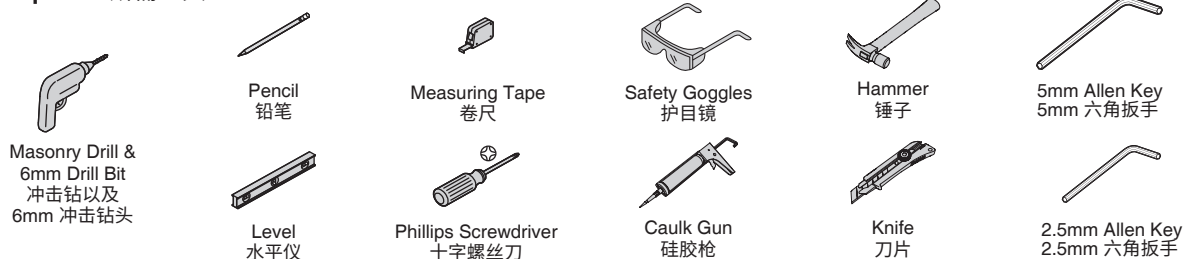
ZHONGSHAN KOHLER SHOWER CO., LTD. NO13-1, XINGYE ROAD, ZHONGSHAN TORCH DEVELOPMENT ZONE, ZHONGSHAN, GUANGDONG, CHINA POST CODE: 528437
中山科勒卫浴有限公司 广东省中山市中山火炬开发区兴业路 13-1 号 邮编: 528437



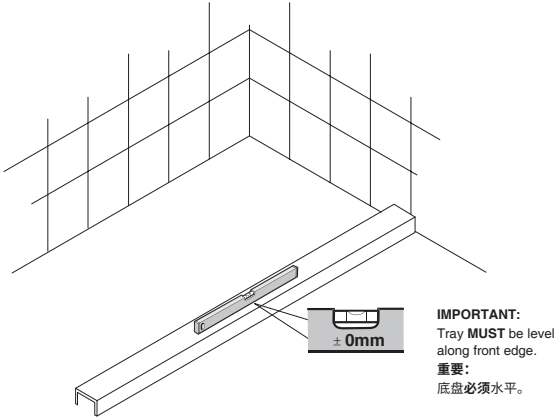
	X1	Wall Jamb Frame, SS, Right 上墙材 - 右
	X1	Wall Jamb Frame, SS, Left 上墙材 - 左
	X1	Top Rail Aluminium Profile 上导轨铝型材
	X1	Bottom Rail Aluminium Profile 下导轨铝型材
	X1	Top Rail SS Frame-A, 1P1D 上导轨不锈钢盖材 -A
	X1	Top Rail SS Frame-B, 1P1D 上导轨不锈钢盖材 -B
	X2	SS Cap 顶侧装饰盖
	X1	SS Cap, Glass 固玻装饰盖
	X1	Lock Block 固玻定位块
	X2	Bottom Roller Assy, SS 下滚轮组件
	X1	Backing Plate 垫板

	X1	Brake Glass Asm, Close Door, Bottom 关门止锁块组件
	X1	Block 塑胶定位块
	X1	Brazn Pivot Handle, Duoble Handle, L=1025mm 凌越对装拉手
	X1	Sliding Strip 单移门缓冲胶条
	X1	Decorative Strip 装饰胶条
	X1	Insert Seal 单边胶条
	X1	Protect Strip U型保护胶条
	X2	Pan Screw PM4x25 十字盘头机制螺丝 PM4x25
	X2	Pan Screw PM4x8 十字盘头机制螺丝 PM4x8
	X10	Pan Screw ST3.5x40 十字盘头自攻螺丝 ST3.5x40
	X10	Hollow Wall Anchor, Nylon 膨胀套

Tools Required/ 所需工具



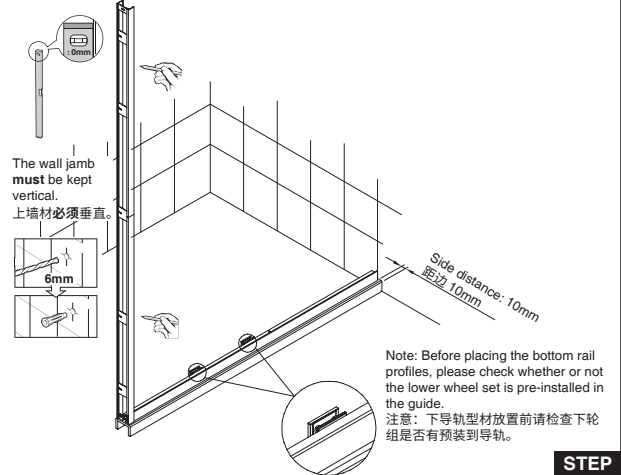
Place the seal horizontally.
放置挡水条，需确保挡水条放置水平。



IMPORTANT:
Tray **MUST** be level
along front edge.
重要:
底盘**必须**水平。

STEP 1

Install the upper-wall profile and the bottom rail with the former vertical to the floor and 10mm from the external edge (stone base surface width is 80mm).
安装上墙型材与下横梁，上墙型材需保持与地面垂直，且内偏 10mm 安装（石基面宽 80mm）。

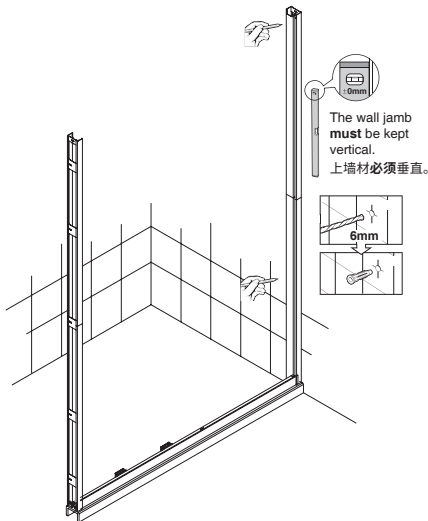


The wall jamb **must** be kept vertical.
上墙材**必须**垂直。

Note: Before placing the bottom rail profiles, please check whether or not the lower wheel set is pre-installed in the guide.
注意：下导轨型材放置前请检查下轮组是否有预装到导轨。

STEP 2

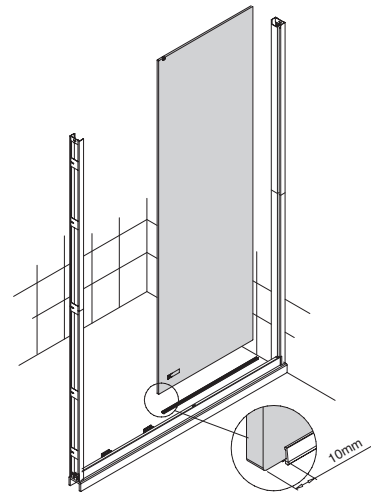
Install the stainless steel vertical members on the right side.
安装右侧不锈钢竖材。



The wall jamb **must** be kept vertical.
上墙材**必须**垂直。

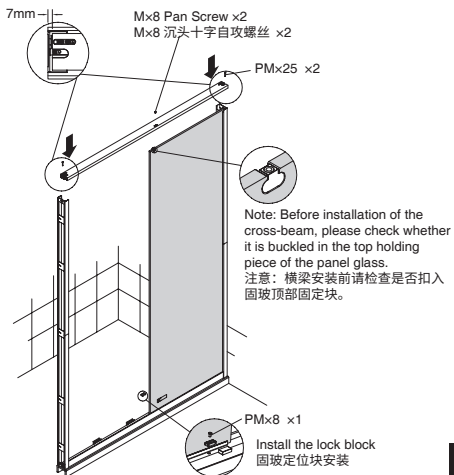
STEP 3

Install the protective seal at the bottom of the panel glass and the panel glass.
* Note: After the panel glass is installed, the protective seal is about 10mm from the edge of the panel glass.
安装固玻底部保护胶条和固玻
* 注意安装完固玻后，保护胶条距固玻边缘大概 10mm 左右。



STEP 4

1. Install the upper cross-beam, with the upper cross-beam dropped in the vertical profiles on both sides from top to bottom, with the screws on both sides locked (PM4x25) and the screws of the lock block (M4x8).
 2. Installation of the bottom fixing block of the panel glass.
1. 安装上横梁，上横梁自上而下落入两边竖材内，锁上两侧螺丝（PM4x25），再锁上固玻定位块螺丝（M4x8）。
2. 安装固玻底部固定块。

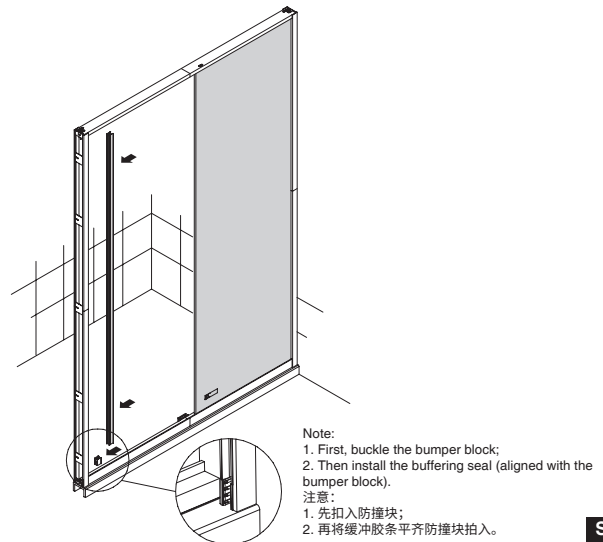


Note: Before installation of the cross-beam, please check whether it is buckled in the top holding piece of the panel glass.
注意：横梁安装前请检查是否扣入固玻顶部固定块。

PMx8 x1
Install the lock block
固玻定位块安装

STEP 5

Install the bottom bumper block and bumper buffering seal.
安装底部防撞块与防撞缓冲胶条。

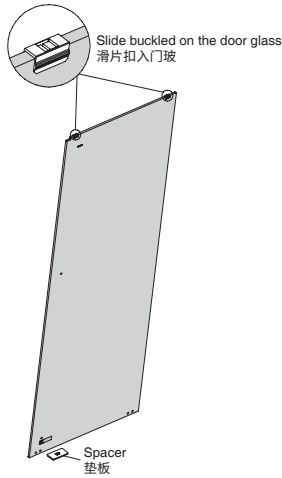


Note:
1. First, buckle the bumper block;
2. Then install the buffering seal (aligned with the bumper block).
注意：
1. 先扣入防撞块；
2. 再将缓冲胶条平齐防撞块拍入。

STEP 6

Preparations for Installation of Door Glass:

1. Check whether or not the slide is buckled in the door glass;
 2. Prepare the bottom spacer of the door glass for assisted installation of the door glass.
- 安装门玻准备:
 1. 检查滑片是否扣入门玻;
 2. 准备门玻底部垫板, 辅助安装门玻。



STEP 7

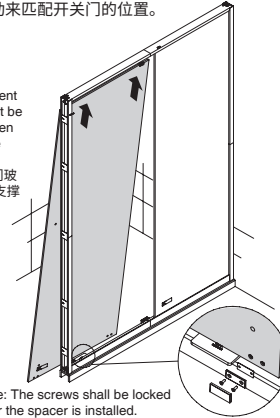
Install the door glass:

1. Install the door glass;
2. Make the door glass straight and place the spacer under the door glass;
3. Install the door glass in the screw pillar of the wheel set and lock the screws;
4. The stop block on top of the door glass may be moved from side to side to match the position of the switching gate.

安装门玻:

1. 门玻斜向上抬起, 插入导轨滑槽内;
2. 摆正门玻, 将垫板垫在门玻下方;
3. 将门玻套入轮组螺丝柱, 锁上螺丝;
4. 门玻顶部的止锁块可以左右移动来匹配开关门的位置。

Note: Sufficient support must be provided when installing the door glass
 注意: 安装门玻时需有足够支撑

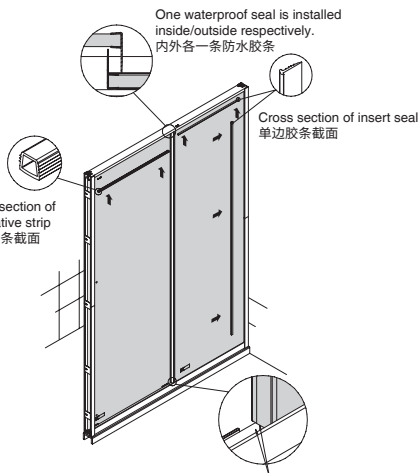


STEP 8

Install the seal

Note: The seal installed on the panel glass shall be stuck to the bottom guide to prevent water leakage.

安装胶条
 注意: 安装在固玻上的胶条需要贴到底导轨安装, 防止漏水。

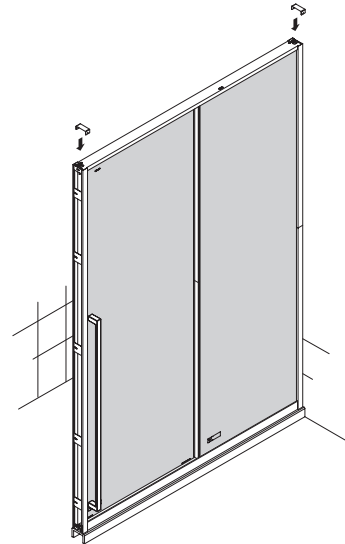


Note: The seal shall be stuck to the bottom guide
 注意: 此胶条需要贴到底导轨安装

STEP 9

Install the top decorative cover and handle.

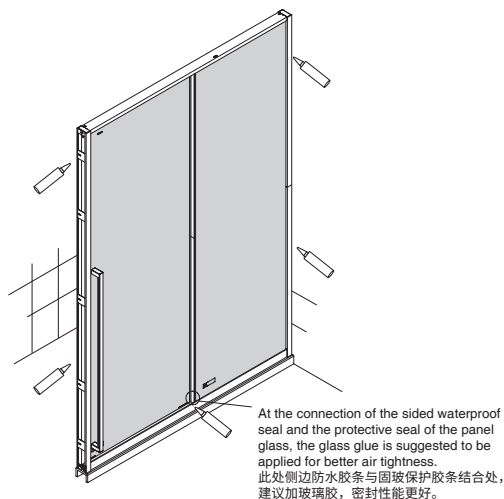
安装顶侧装饰盖和拉手。



STEP 10

Apply the glass glue.

打破璃胶。



STEP 11