

BEFORE YOU BEGIN

- All information is based on the latest product information available at the time of publication. Kohler China Ltd. reserves the right to make changes in product characteristics, packaging, or availability at any time without notice.
- These instructions contain important care, cleaning, and warranty information—**please leave these instructions for the consumer.**
- Make sure that the bath and the finished wall material are completely and correctly installed prior to installing your shower door. Prepare waterproof layer to wall and floor of the showering area. It is not allowed for any presence of electric switches and sockets. Make sure the floor drain runs smoothly.
- Before starting the door installation, lay out and identify all the parts. Use the exploded view illustrated on page 2 for reference.
- For the installation method of customized shower with different dimensions, please refer to this instructions.
- The product complies with QB 2584-2007.

⚠ CAUTION: Risk of injury or product damage.
Tempered glass cannot be cut, drilled or knocked by hard object. Make sure corner area of the glass refraining from knocking so as to cause personal injury due to broken glass.

ATTENTION: Please install this door on Kohler receptors or curbs(Not included). If the curb is not Kohler-branded, please note its top width should be more than 80mm.

IMPORTANT: The shower door requires a flat vertical finished wall. The squareness of the wall is recommended no more than 3mm/m. KOHLER Company won't take responsibility of the installation quality.

安装之前

- 说明书中所有的资料是按最新出版的产品资料编写而成。科勒中国有限公司保留任何时候无须通知即可改变产品特性、包装或产品可供类型的权利。
- 说明书包括重要的安装、清洁及保养方面的内容，**请把这些资料交给用户阅读，保管。**
- 确保在安装淋浴房之前已经完整正确地安装了浴室和完工墙面材料。淋浴区墙地面应做防水处理，并不得布置有电器开关、插座。确保地面排水通畅。
- 在进行淋浴房安装之前，请拿出、排列并确认所有的零部件。请参考第 2 页上所示的分解图。
- 对尺寸与本标准产品不同的定制淋浴房，参照本说明书进行安装。
- 本产品符合 QB 2584-2007。

⚠ 警告：可能有人伤害或者产品损坏的危险。
钢化玻璃不能进行切割，钻孔或硬物敲击。搬移或安装过程中，小心确保玻璃边、角部位不受撞击，以防爆裂伤人。

建议：将本产品安装在科勒淋浴盆或挡水条上（需另行购买）。如自备挡水条，建议顶面宽度尺寸大于 80mm。

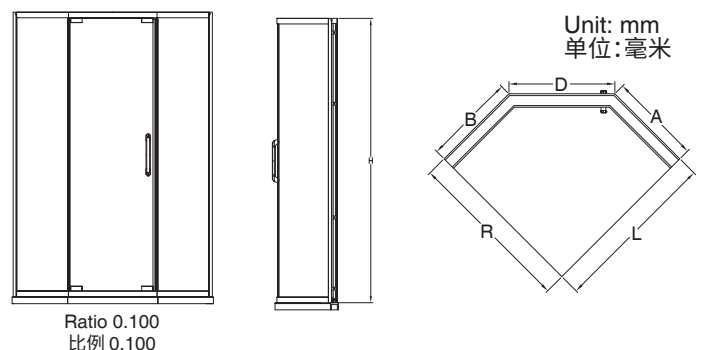
重要事项：淋浴房需要安装在平坦垂直的墙面上。墙面的垂直度推荐在正负 3mm/m 以内。如果超出此范围，科勒公司将不保证淋浴房的完美使用。

Do not use the enclosure for at least 24 hours.
安装后 24 小时内请勿使用淋浴房。



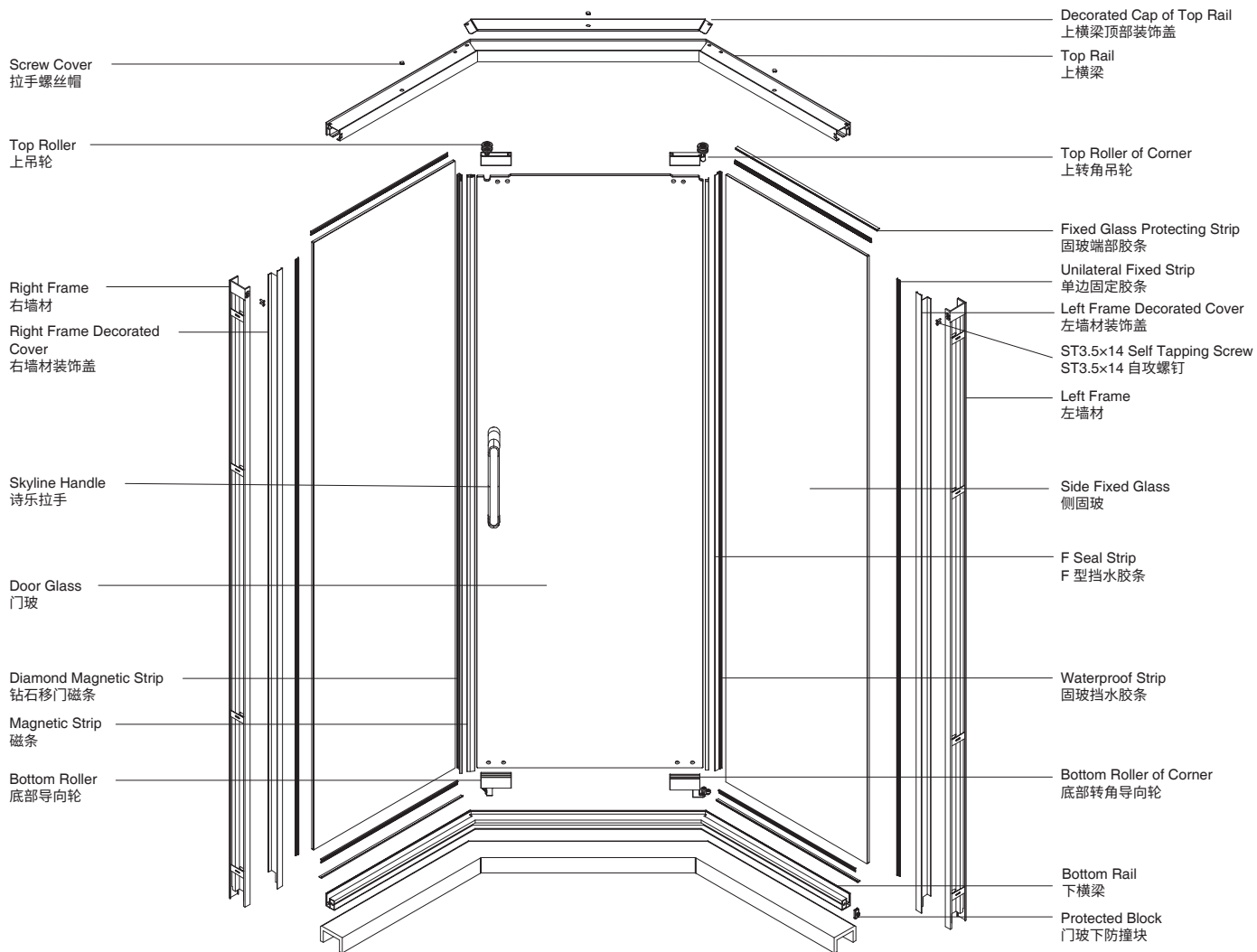
ROUGHING-IN

尺寸图



SKU	L	R	D	H
K-702792T	1000-1200	1000-1200	635	1850-2200

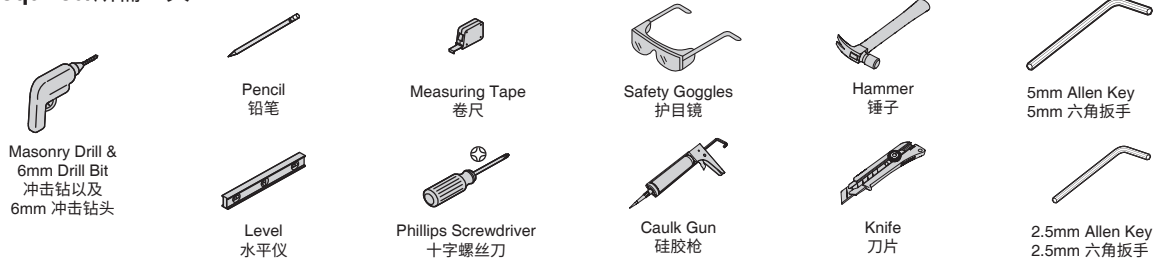
ZHONGSHAN KOHLER SHOWER CO., LTD. NO13-1, XINGYE ROAD, ZHONGSHAN TORCH DEVELOPMENT ZONE, ZHONGSHAN, GUANGDONG, CHINA POST CODE: 528437
中山科勒卫浴有限公司 广东省中山市中山火炬开发区兴业路 13-1 号 邮编:528437



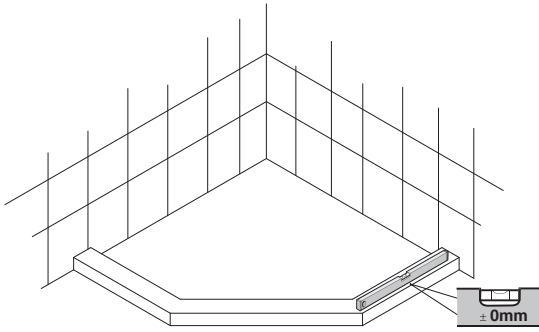
	X1	Right Frame 右墙材
	X1	Right Frame Decorated Cover 右墙材装饰盖
	X1	Left Frame 左墙材
	X1	Left Frame Decorated Cover 左墙材装饰盖
	X1	Right Connected Frame of Top Rail 上横梁右连接铝材
	X1	Mid Frame of Top Rail 上横梁中间铝材
	X1	Left Connected Frame of Top Rail 上横梁左连接铝材
	X1	Outside Cover of Top Rail 上横梁外盖
	X1	Decorated Cap of Top Rail 上横梁顶部装饰盖
	X1	Bottom Rail 下横梁
	X2	Corner Connected Bracket 转角连接件
	X1	Located Block 门玻定位块
	X1	Buffer Stopper 缓冲块
	X1	Top Roller 上吊轮
	X1	Top Roller of Corner 上转角吊轮
	X1	Magnetic Strip of Diamond Fixed Glass 钻石移门固玻磁条
	X1	Magnetic Strip of Door Glass 门玻磁条

	X1	Waterproof Strip 固玻挡水胶条
	X1	Unilateral Fixed Strip 单边胶条
	X1	Waterproof Strip 固玻挡水胶条
	X1	Bottom Roller 底部导向轮
	X1	Bottom Roller of Corner 底部转角导向轮
	X2	Protected Block 门玻下防撞块
	X1	Skyline Double Handle 诗乐对装拉手
	X3	Screw Cap 拉手螺丝帽
	X8	Pan Screw ST3.5x40 圆头螺丝 ST3.5x40
	X4	Pan Screw ST3.5x14 十字圆头不锈钢自攻螺丝 ST3.5x14
	X2	M4x14 Cross Slot Mechanical Screw M4x14 半圆头机制螺丝
	X10	M5x10 Cross Slot Mechanical Screw M5x10 半圆头机制螺丝
	X8	Hollow Wall Anchor, Nylon 膨胀套
	X1	Screw Key 4.0mm 4.0 内六角扳手
	X1	Screw Key 3.0mm 3.0 内六角扳手
	X1	Special Spanner 异型调节扳手

Tools Required/所需工具



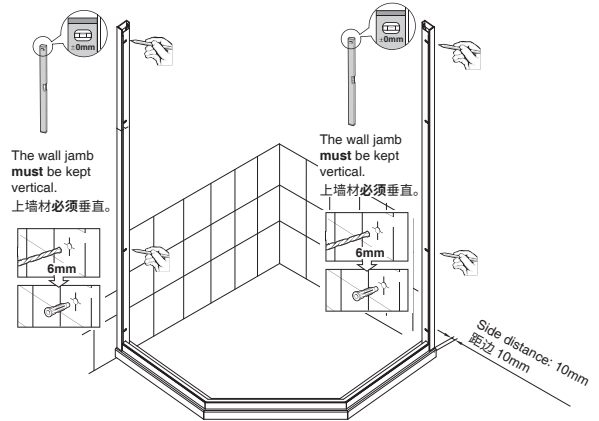
Place the seal so that it is horizontal.
放置挡水条，需确保挡水条放置水平。



IMPORTANT:
Tray **MUST** be level
along front edge.
重要:
底盘**必须**水平。

STEP 1

Install the upper wall profile and the lower rail. The upper wall profile must be vertical to the ground and installed with an internal offset of 10mm (the width of the stone base is 80mm).
安装上墙型材与下横梁，上墙型材需保持与地面垂直，且内偏 10mm 安装（石基面宽 80mm）。



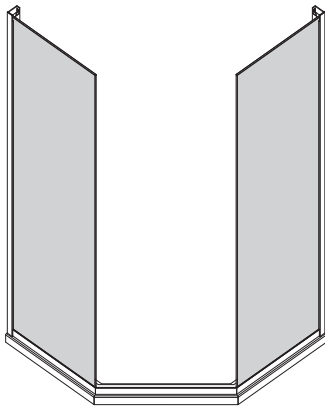
The wall jamb **must** be kept vertical.
上墙材**必须**垂直。

The wall jamb **must** be kept vertical.
上墙材**必须**垂直。

Side distance: 10mm
距边 10mm

STEP 2

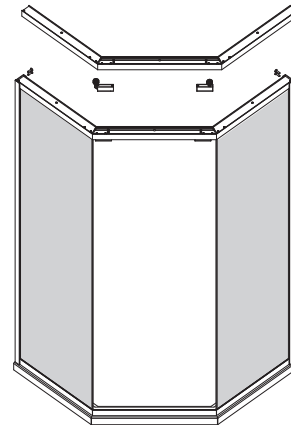
Clip the left and right fixed glass into the lower rail and left and right wall frames.
将左右固玻安装卡入下横梁和左右墙材。



STEP 3

- Buckle the top roller of the door glass into the top rail track (cautious of the correct position of the wheel), and the corner wheel is installed on the door side.
- Install the top rail installed with the top roller onto the fixed glass and the left and right wall frames.
- Install the fixing screws of the wall frame and the top rail.

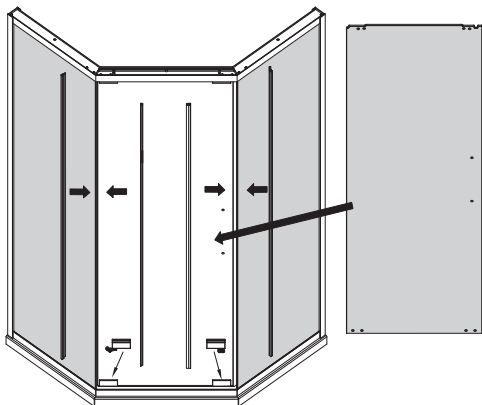
- 将门玻上吊轮扣入上横梁轨道内（注意轮子位置不要放错），转角的轮子靠开门侧安装。
- 将装好上吊轮的上横梁安装在固玻顶部和左右墙材上。
- 安装墙材和上横梁的固定螺钉。



STEP 4

- Fix the door glass with the top roller.
- Buckle the bottom roller of the door glass into the lower rail. Fix it with the door glass.
- Install door glass, protective tape and magnetic strip of the fixed glass.

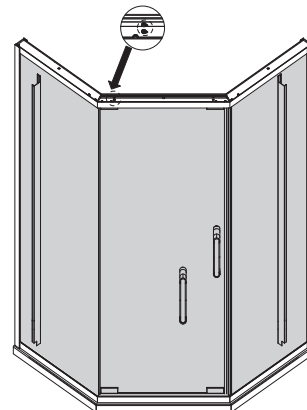
- 将门玻与上吊轮固定。
- 将门玻下导向轮扣入下横梁，并与门玻固定。
- 安装门玻和固玻防护胶条与磁条。



STEP 5

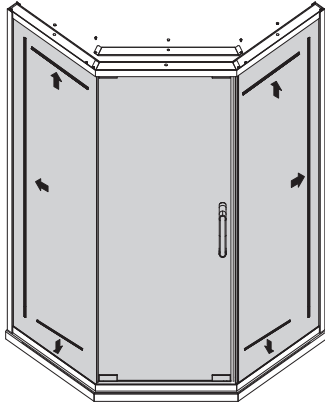
- Install the door glass handle.
- Install the decorative covers of the wall frame on the left and right sides.
- Open the door glass. Check the distance between the door glass and the fixed block (refer to the partial enlarged diagram below). By adjusting the screws on the top of the fixed block, the position and assembly angle of the fixed block and the roller.

- 安装门玻拉手。
- 安装左右两侧墙材的装饰盖。
- 打开门玻，检查门玻和定位块的距离（参考下面局部放大示意图）通过调整定位块顶部的螺钉，可调整定位块与吊轮的位置和装配角度。



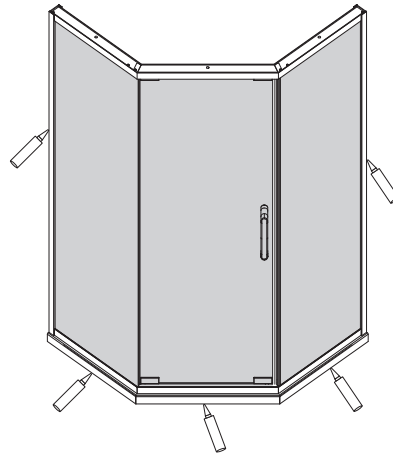
STEP 6

1. Install the decorative cover on the top of the top rail.
 2. Install the fixed glass and wall frame. Stick the unilateral fixed strip between the fixed glass and the upper and lower rails.
 3. Move the door glass wheel to the bottom of the top rail adjustment hole. Adjust the height of the door glass as needed.
 4. Install the decorative cover for the top rail hole.
1. 安装上横梁顶部装饰盖。
 2. 安装固定玻璃与墙材，固定与上下横梁间的单边胶条。
 3. 将门玻璃轮子移动至上横梁调节孔的下方，可根据需要调节门玻璃的高低位置。
 4. 安装上横梁孔装饰盖。



STEP
7

1. Both sides of the wall frame and the lower rail need to be glued and fixed.
 2. Shower room with seal, glue the bottom edge of the seal to fix.
1. 墙材两侧和下横梁需打胶固定。
 2. 带挡水条淋浴房，在挡水条底部边沿打胶固定。



STEP
8