

BEFORE YOU BEGIN

安装之前

- Please read these instructions carefully to familiarize yourself with the required tools, materials, and installation sequences. Follow the sections that pertain to your particular installation. This will help you avoid costly mistakes. In addition to proper installation, read all operating and safety instructions.
- All information in these instructions is based upon the latest product information available at the time of publication. Kohler Co. reserves the right to make changes in product characteristics, packaging, or availability at any time without notice.
- These instructions contain important care, cleaning, and warranty information-**please leave instructions for the consumer.**
- 请小心详阅本指引，以便熟悉所需工具、物料及安装程序。请遵照适用的章节来安装本产品，以免安装失当导致不必要的损失。除了有关正确的安装方法之外，还务请详阅所有操作及安全指引。
- 本指引所载之一切资料，均以印刷时所有之最新产品情况为基础，科勒中国保留权利随时更改产品特性、包装或供应情况，恕不另行通知。
- 本指引也包含了有关护理、清洁及保养等重要资料-请交予用户保存。

ORDERING INFORMATION


REACH 2PC Toilet	K-3834T-ZS
Includes Bowl	K-3836T-2
Includes Tank	K-3835T-ZV
Includes REACH Quiet-Close Toilet Seat	K-3857T
REACH 2PC Toilet	K-3834T-ZX
Includes Bowl	K-3836T-2
Includes Tank	K-3835T-ZX
Includes REACH Toilet Seat	K-5574T

订购资料

瑞琦分体座便器(工程专供版)	K-3834T-ZS
含缸体	K-3836T-2
含水箱(工程专供版)	K-3835T-ZV
含瑞琦缓降座便器盖板	K-3857T
瑞琦分体座便器(工程专供版)	K-3834T-ZX
含缸体	K-3836T-2
含水箱(工程专供版)	K-3835T-ZX
含瑞琦座便器盖板(工程专供版)	K-5574T


NOTES

- Observe all local plumbing and building codes.
- Shut off the water supply.
- Seat post holes are on 140mm (5-1/2") centers.
- 51mm (2") passageway.
- Water depth from the rim is 157mm.
- Ensure that the new drain has the correct roughing-in dimension. **See Fig. #1.**
- Be very careful while working with vitreous china products. Vitreous china can break or chip if the bolts and nuts are overtightened, or if carelessly handled.
- Carefully inspect the new fixture for any sign of Damage.
- For new construction, refer to the dimensions in **Fig. #1** and **Fig. #4** for locating the shut-off valve.
- Fixture dimensions are nominal and conform to tolerances established by ASME Standards (A112.19.2-2013).
- This product complies with GB 25502-2017. Water Efficiency Grade 2.

 **WARNING: Risk of external leakage.** The fill valve nut has been factory-tightened to design specifications. If re-tightening is required, wrench tighten 1/4 turn past finger tight.

注意

- 遵守当地所有给排水及建筑规定。
- 先关掉水源。
- 盖板孔与中心间距140mm。
- 排污通道：51mm。
- 座便器上表面距水面：157mm。
- 请确保污水管的坑距的尺寸正确：请参阅图1。
- 请小心处理釉面陶瓷制品，因其容易破损和崩缺，故不可把螺栓及螺母上得过紧，且须小心轻放。
- 小心检验新的座便器是否有损坏的迹象。
- 若为新安装工程，请参看图1及图4的尺寸指示以找出止水阀。
- 部件尺寸为标定值，误差符合美国ASME标准(A112.19.2-2013)。
- 本产品符合GB 25502-2017。水效等级2级。

 **警告：有向外渗漏之危险。** 进水阀螺母在出厂时已上紧以符合设计规格，如需再上紧，可用手上紧后再以板钳上紧1/4圈。

No.2 KOHLER ROAD, SANSHUI CENTRAL INDUSTRIAL PARK, LEPING TOWN, SANSHUI DIST., FOSHAN, GUANGDONG, PRC POST CODE 528137
广东省佛山市三水区乐平镇三水中心工业园区科勒大道2号 邮编：528137

8# MENGSHAN RD, ECONOMIC DEVELOPMENT ZONE OF HUANTAI, ZIBO, SHANDONG, CHINA POST CODE: 256410
山东省淄博市桓台经济开发区蒙山路8号 邮编：256410

TOOLS AND MATERIALS REQUIRED (Not supplied)

- 254mm (10") adjustable wrench
- 305mm (12") pipe wrench
- Metal file (file cut)
- Tape measure
- Tubing cutter
- Level
- Hacksaw
- Putty knife
- Screwdriver
- Toilet gasket (wax seal)
- Toilet installation flange
- Toilet T-bolts (2), 8mm (5/16") diameter
- Toilet supply shut-off valve

NOTICE: If the existing toilet does not have a shut-off valve below the tank, install one before installing the new toilet.

* Flexible hose are recommended to connect the supply line to the fill valve. If you use a rigid connection, take care not to apply side forces to the bottom of the fill valve.

所需工具及材料 (不随货供应)

- 254mm活动板钳
- 305mm喉管板钳
- 锉刀
- 卷尺
- 切管刀
- 水平尺
- 钢锯
- 涂油灰刀
- 螺丝刀
- 座便器垫圈(蜡封)
- 安装座便器用之法兰盘
- 直径8mm的T型螺栓(2枚)
- 座便器供水管止水阀

注意：如果现有座便器的水箱下方没有止水阀，须在安装新座便器前装妥止水阀。

* 我们建议使用软管来连接供水管与座便器进水阀。如果您使用硬管子来连接的话，安装时请注意不要在进水阀的底部施加横向压力。

ROUGHING-IN

尺寸图

Reference Value
参考值

Unit: mm
单位: 毫米

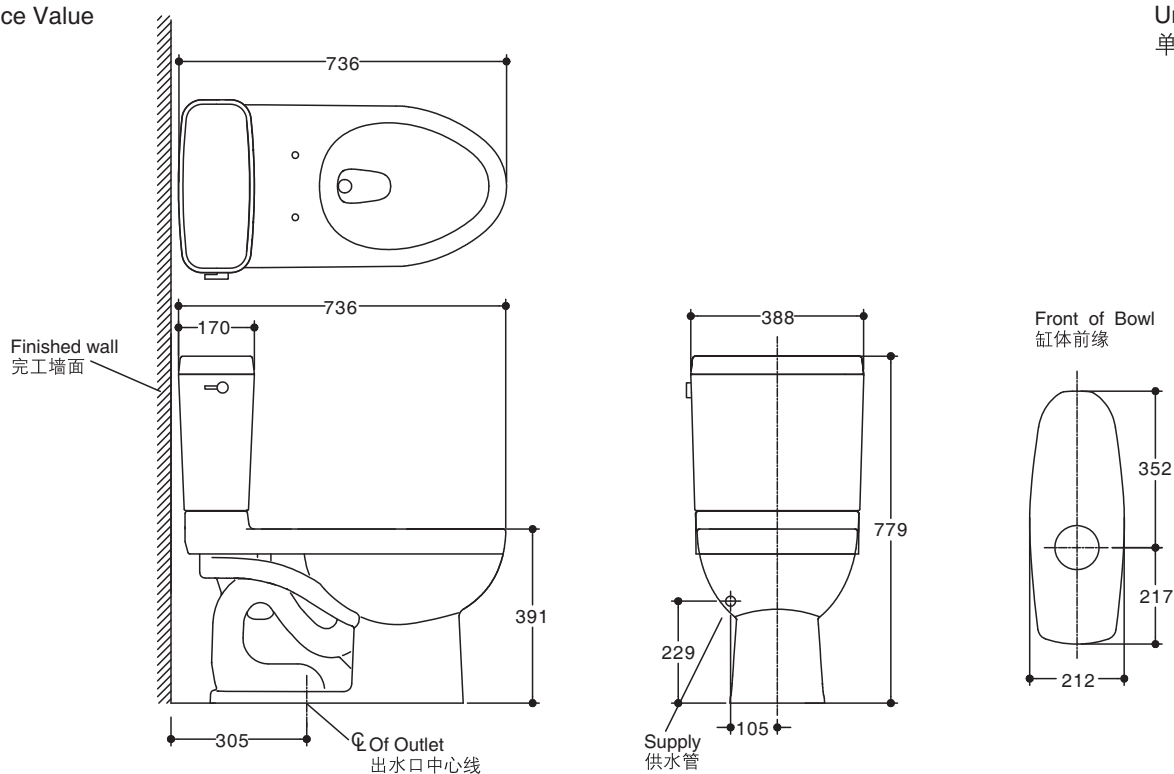


Fig.#1
图1

Kohler reserves the right to change marked dimensions without prior notice.
科勒公司保留随时变更图中标示尺寸的权利，无需另行通知。

INSTALLATION

安装

TO REMOVE EXISTING TOILET

Turn off the water supply. Flush the toilet, and use a sponge to remove the remaining water from the tank and bowl. Disconnect the supply shut-off valve (if present), and remove the old tank and bowl.

Remove old gasket from the floor and closet flange with a putty knife. Remove old T-bolts and discard them.

NOTICE: If a new toilet is not installed immediately, temporarily stuff a rag in the closet flange.

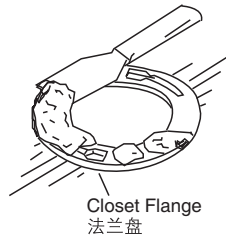


Fig.#2
图2

拆除旧座便器

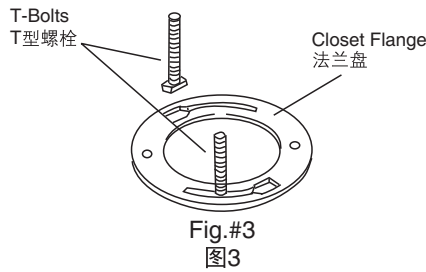
关掉供水源，给座便器冲水，用海绵吸去座便器内的剩余水份，除下供水管止水阀(如果有)，移开旧水箱和座便器。

用涂油灰刀拆除地上的旧密封垫圈及座便器法兰盘，拆除及扔掉旧的T型螺栓。

注意：如果不能即时安装新座便器，请用碎布暂将法兰盘堵住。

Install two new 8mm (5/16") diameter T-bolts into the closet flange.

NOTICE: Do not use white cement or high lime content cements to install this toilet. The expansion of cement due to a rise in temperature may make the toilet crack or cause damage. Kohler is not responsible for any damage caused by installation with the use of cement.

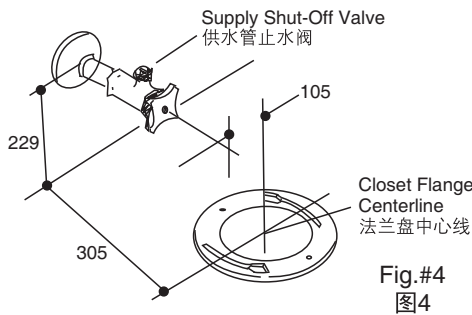


安装两枚直径8mm的新T型螺栓在法兰盘上。

注意：安装本座便器时切勿使用白水泥或高石灰含量之水泥，因水泥的热膨胀可能使座便器的脚部挤破或损坏。科勒对所有因水泥安装而引致的座便器破裂恕不负责。

TO INSTALL SUPPLY SHUT-OFF VALVE

Install toilet supply shut-off valve so it is 229mm above floorline and 105mm to the left of the centerline of the closet flange. Centerline of supply shut-off outlet should extend 102mm from finished wall. Install the supply shut-off valve with outlet vertical.



安装供水管止水阀

安装供水管止水阀，使之离地线229mm，也离法兰盘中心线左面105mm。供水管止水阀出口管应凸出守工墙102mm。

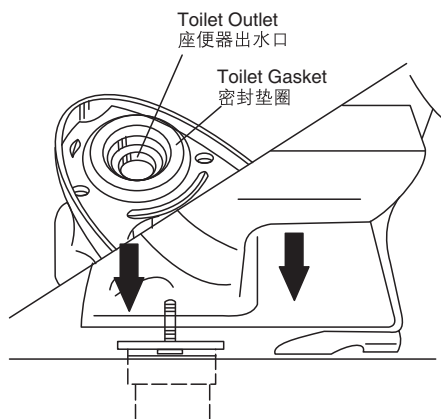
TO INSTALL NEW TOILET

Place new toilet upside down on padding. Firmly place gasket on toilet outlet.

NOTE 1: Wax ring type toilet gasket should not be installed at temperatures less than 21°C.

NOTE 2: If you are using a toilet gasket with an integral plastic sleeve, make sure the gasket is positioned with the sleeve facing away from the toilet.

If you temporarily plugged the closet flange with a rag, remove the rag at this time and ensure that the drain pipe is clear and free of debris.



安装新座便器

将新的座便器倒置于垫上，将密封垫圈紧套于座便器出水口。

注意1：如使用蜡封式密封垫圈，室温不应低于摄氏度21°C。

注意2：如所使用的密封垫圈附有内式塑料套，则此垫应朝外放置。

若曾将碎布放在法兰盘内，请先将碎布取出，确保污水管无碎屑阻塞。

Carefully align lower toilet over the closet flange and bolts. Apply full body weight to toilet rim to set seal.

小心对准并将座便器放置在法兰盘及螺栓上，再将全身重量向下压在座便器边缘上以固定封口。为了要达到最佳的效果，请在安装时确定座便器是水平。

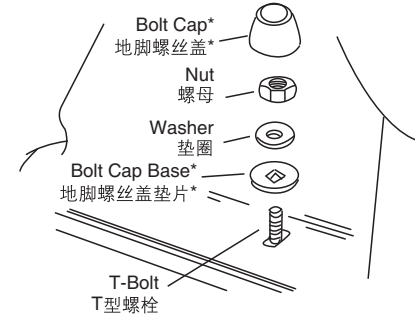
CAUTION: Risk of external leakage. Do not lift or rock toilet after placement; A new gasket must be reapplied if you break the watertight seal.

警告：有向外渗漏之危险。放好座便器后，不可再提起或摇动；如密封垫之防水效果受破坏，必须更换新的密封垫圈。

Assemble bolt cap bases, washer, and nuts on exposed T-bolts. Hand-tighten nuts, then tighten additional 1/2-turn with wrench.

CAUTION: Risk of personal injury or product damage. Overtightening may cause breakage or chipping.

If T-bolts extend more than 6mm (1/4") from top of nut, cut off excess and file the end. Wipe away any residue. Install bolt caps.



* Supplied with toilet
* 随货供应

Fig.#6
图6

将地脚螺丝盖垫片、垫圈和螺母套在外露的T型螺栓上，用手上紧所有螺母，再用扳钳额外上紧半圈。

警告：提防身体受伤或产品破裂。螺母不可上得太紧，否则会导致釉面陶瓷损坏及崩裂。

如T型螺栓露出超过6mm时，切掉过长者并锉平末端，然后抹去碎屑，安装地脚螺丝盖。

INSTALL THE TANK

Carefully turn the tank upside down onto a protected surface. Fit the rubber gasket over the flush valve nut. Carefully position the tank on the bowl by centering the gasket on the bowl inlet. Line up the tank and bowl bolt holes.

CAUTION: Risk of product damage. Overtightening may cause breakage or chipping of the vitreous china.

Install the bolt gaskets onto the tank bolts, and slide the tank bolts down through the holes in the tank and bowl. Assemble the washers and nuts to the tank bolts. Securely tighten the nuts so the tank is level.

Be sure the nuts are tight enough to achieve a watertight seal.

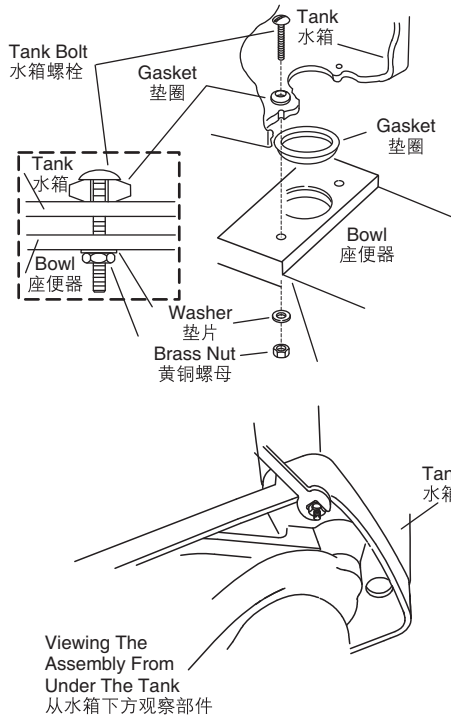


Fig.#7
图7

安装水箱

小心地把水箱放置到保护表面上，把橡胶垫圈套到冲水阀螺母上。

使垫圈对准座便器进口的中心，小心地把水箱安置在座便器上。水箱和座便器的螺栓孔在一条线上。

警告：小心产品损坏。过份拧紧可能导致产品破损或崩裂。

把垫圈装入水箱螺栓，螺栓向下滑通过水箱和座便器的孔。

将垫圈和螺母安装到螺栓上，安全地拧紧螺母，使水箱水平。

确保螺栓已经足够拧紧达到不漏水的密封效果。

TO CONNECT WATER SUPPLY

* Flexible hose (not provided) are recommended to connect the supply line to the fill valve. If you use a rigid connection(not provided), take care not to apply side forces to the bottom of the fill valve.

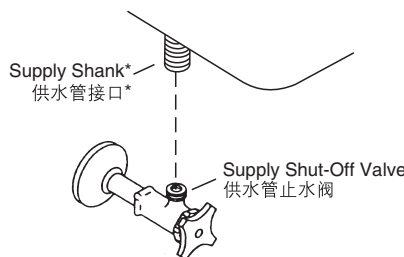


Fig.#8
图8

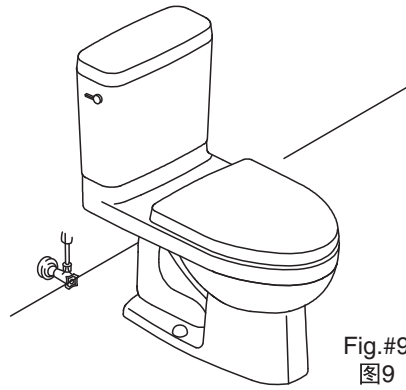
连接供水管止水阀

* 我们建议使用软管(不随货供应)来连接供水管与座便器进水阀。如果您使用硬管(不随货供应)连接的话，连接时要注意不要在进水阀的底部施加横向压力。

Turn shut-off valve on and check for leaks. If connections are squarely assembled, a slight retightening of the nuts will stop any leaks.

If toilet is leaking in between the tank and bowl, carefully retighten the tank bolts evenly. Check all bowl and tank connections for leaks for several days.

Install the toilet seat according to the seat manufacturer's installation instructions.



打开供水管止水阀检查所有接口有无渗漏情况，如果接口均安装妥当，将螺母略微旋紧即可防漏。

如果在水箱与座便器之出现渗漏，需再小心且均匀地旋紧水箱螺栓。安装后的几天内，应反复检查所有接驳处有否渗漏。

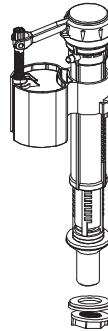
依照制造厂商的安装指示安装座厕盖板。

FILL FLOAT WITH BALLAST

Test flush the toilet.

Periodically check all connections for leaks for several days following installation.

Set the tank cover in place on the tank.



注水以稳定浮球

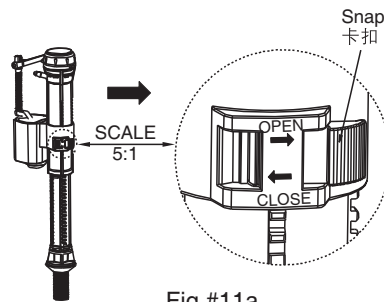
测试冲水情况。

安装后的几天内，应反复检查所有接驳处有否渗漏。

盖上水箱盖。

MINOR ADJUSTMENT OF WATER LEVEL

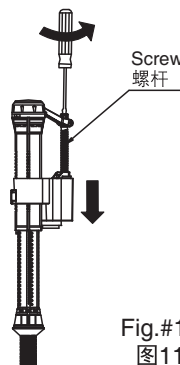
Move the snap along "OPEN" direction.



水位微量调节

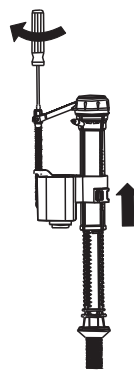
沿OPEN方向按出卡扣。

To lower water level: Move water cup down to a proper height and rotate screw anticlockwise to achieve the desired water level. (Refer to float adjustment instructions.)



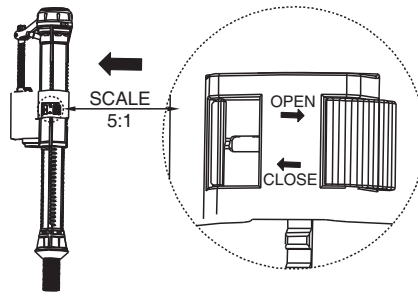
降低水位：下调止水杯到需求高度，逆时针旋转螺杆，使得浮桶下降到合适位置（参考浮桶调节注意事项）。

To elevate water level: Rotate screw clockwise and raise float to the desired water level. Elevate water cup to a proper position as well. (Refer to float adjustment instructions.)



升高水位：顺时针旋转螺杆使得浮桶上升到需求高度，上调止水杯到合适位置（参考浮桶调节注意事项）。

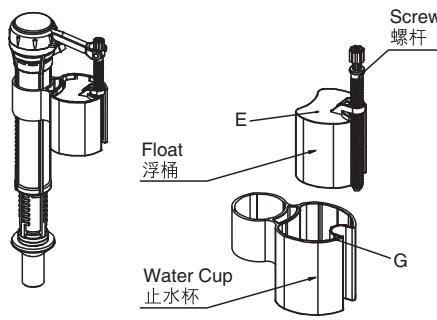
Fasten the snap along "CLOSE" direction.



沿CLOSE方向扣紧卡扣。

Fig.#11d
图11d

Float adjustment instructions: Make sure the height of surface E is 2-4mm lower than surface G.



浮桶调节注意事项：调节螺杆时保证E面下沉于G面2-4mm。

Fig.#11e
图11e

TROUBLESHOOTING CHART

SYMPTOMS	PROBABLE CAUSES	CORRECTIVE ACTION
1. Float valve turns on/off by itself without toilet being flushed.	<ul style="list-style-type: none"> A. No slack in flapper chain assembly, holding flapper off seat. B. Flush valve flapper ball worn, dirty or misaligned with flush valve seat; or seat corroded so flapper will not seal. C. Refill tube pushed too far down in overflow pipe. 	<ul style="list-style-type: none"> A. Adjust flapper chain assembly for proper slack. B. Inspect, clean and, if necessary, replace flapper ball and/or seat. C. Attach refill tube to overflow pipe above the water line.
2. Float valve continues to run, allowing water to enter tank.	<ul style="list-style-type: none"> A. Float valve seal (located under float valve cap) may be cracked or split. B. Tank water level set above overflow level. C. Water leaking past flush ball. D. Trip lever binding, holding flush ball open. 	<ul style="list-style-type: none"> A. Replace seal. B. During fill cycle, hold float under water a few seconds to allow it to fill with water ballast. C. Replace flush ball. D. Turn trip lever nut clockwise to loosen until trip lever no longer binds.
3. Incorrect water level height.	<ul style="list-style-type: none"> A. Valve float cup does not contain enough water to provide required ballast. 	<ul style="list-style-type: none"> A. During fill cycle, hold float under water a few seconds to allow it to fill with water ballast.
4. Long or noisy tank fill cycle.	<ul style="list-style-type: none"> A. Plugged valve inlet or supply line. 	<ul style="list-style-type: none"> A. Perform Corrective Action 2.A
5. Poor flush.	<ul style="list-style-type: none"> A. Water level is too low. B. Trapway or rim holes are obstructed. C. Soil pipe or vent is obstructed. D. Supply shut-off valve not fully open. E. Low water level in bowl due to refill tube being plugged or out of over-flow tube. 	<ul style="list-style-type: none"> A. Adjust tank water level. B. Unclog trapway; clean rim holes. C. Clear obstruction from soil pipe or vent. D. Open supply shut-off valve. E. Clean or straighten refill tube; attach refill tube to overflow tube.
6. Toilet overflows.	<ul style="list-style-type: none"> A. Toilet trayway is obstructed. B. Soil pipe or vent is obstructed. 	<ul style="list-style-type: none"> A. Use plunger to unclog. B. Clear obstruction from soil pipe or vent pipe.
7. Toilet does not activate.	<ul style="list-style-type: none"> A. Chain is not connected to lift rod or flush valve. 	<ul style="list-style-type: none"> A. Reconnect the chain.

故障处理表

现象	原因	处理措施
1. 未冲水浮球阀已自行开/关	<ul style="list-style-type: none"> A. 橡胶盖链组合调校过紧, 令橡胶盖抽离阀座。 B. 冲水阀的橡胶盖球磨损、肮脏或冲水阀座的位置不配合: 或阀座磨缺后, 令橡胶盖不能合起来。 C. 注水配管在溢水管的位置推得过低。 	<ul style="list-style-type: none"> A. 调节橡胶盖链组合以达到合适的松缓程度。 B. 检查清楚及进行清洁, 如有需要更换橡胶盖球及/或阀座。 C. 把注水配管放在溢水管的水线上以上部位。
2. 浮球阀运转不停, 水不断溢入水箱	<ul style="list-style-type: none"> A. 浮球阀密封圈(在浮球阀帽下)可能已破裂。 B. 水箱的水位高度高于溢水线。 C. 冲水阀球渗漏。 D. 冲水把手太紧, 固定了浮球在开启的位置。 	<ul style="list-style-type: none"> A. 更换密封圈。 B. 在水箱注水时, 把浮球按在水中数秒, 使其注够水份稳定下来。 C. 更换冲水阀球。 D. 顺时针松开冲水把手的螺母, 直至冲水把手松紧适中。
3. 水位线高度不正确	<ul style="list-style-type: none"> A. 阀门浮杯内装水不足以使其稳定。 	<ul style="list-style-type: none"> A. 在水箱补水时, 把浮球按在水中数秒, 使其注够水份稳定下来。
4. 水箱注水需时过长或噪音过大	<ul style="list-style-type: none"> A. 阀门入水口或供水管堵塞 	<ul style="list-style-type: none"> A. 按2A措施处理。
5. 冲水不灵	<ul style="list-style-type: none"> A. 水位太低。 B. 座便器排污管或喉面孔堵塞。 C. 污水管或通道堵塞。 D. 供水管止水阀未完全打开。 E. 由于注水配管堵塞或脱离了溢水配管而使座便器水位过低。 	<ul style="list-style-type: none"> A. 调校水箱水位。 B. 通开冲水道及清洁喉面孔。 C. 清除污水管或通道的堵塞物。 D. 打开供水管止水阀。 E. 清洁或拉直注水配管; 把注水配管连上溢水配管。
6. 厕所溢水	<ul style="list-style-type: none"> A. 排污管堵塞。 B. 污水管或通道堵塞。 	<ul style="list-style-type: none"> A. 用通渠泵清理排污管。 B. 清除污水管或通道的堵塞物。
7. 冲水掣不灵	<ul style="list-style-type: none"> A. 链子未能连接冲水杆或冲水阀。 	<ul style="list-style-type: none"> A. 把链子连接好。

IMPORTANT CONSUMER INFORMATION 用户须知

CONSUMER RESPONSIBILITIES

If you live in a hard water area, make certain that the holes in the toilet rim are kept clean to ensure proper bowl flushing. Toilet bowl cleaners should be used at least once a week. Use a long-handled brush to clean the rim holes, and to clean as far into the trap as possible to prevent mineral deposits from forming.

Most toilet bowl cleaners are not harmful to the vitreous china surface of the toilet bowl. Please follow the bowl cleaner manufacturer's instructions carefully.

Do not use abrasive cleaners or solvents.



WARNING: Risk of property or product damage. Do not use in-tank cleaners. Products containing chlorine (calcium hypochlorite) can seriously damage fittings in the tank. This damage can cause leakage and property damage.

Kohler Company shall not be responsible or liable for any damage to these tank fittings caused by the use of cleaners containing chlorine (calcium hypochlorite).



CAUTION: Do not use any cement while installing the toilet. Heat expansion of the toilet may damage the feet of the toilet. Kohler will not be responsible for any damage because of using cement.



WARNING: Risk of product damage. Do not throw into the toilet what is easy to block it, such as newspaper, paper pilch, sanitary towel. Do not bump the vitreous china with great force to prevent it from damaging and leaking. Do not use the product in the water below 0°C.



CAUTION: Please do not use hard materials (like scouring pad) to clean product surface, especially the product logo.

用户责任

如果你居住地方的水质是硬性，你必须保持冲水孔清洁，令座便器冲水正常。每星期应最少使用座便器清洁剂清洁一次，用长把手的刷子清洁冲水孔，并尽量伸入排污管洗刷，防止矿物质积聚。

大多数马桶清洁剂对座便器表面是无害的。请认真遵循马桶清洁剂制造商的指示来操作。

请勿使用腐蚀性清洁剂或溶剂。



警告：提防楼宇受损或损坏产品。请勿使用水箱内用清洁剂。含氯（次氯酸钙）的清洁剂会严重破坏水箱配件，从而引起渗漏，或对楼宇结构造成损坏。

科勒公司对此类因使用氯(次氯酸钙)而引致的水箱装置损毁，概不负责。



警告：在安装本座便器时切勿使用任何水泥。因为水泥的热膨胀可能使座便器的脚部挤破或损坏。科勒对所有因为水泥安装而引起的座便器破裂恕不负责。



警告：提防损坏产品。请不要向便器内冲入新闻纸、纸尿垫、妇用卫生巾等容易堵塞的物品。请不要用重力撞击陶瓷，以防止破损漏水。

不要在0°C以下的水环境中使用。



警告：请勿使用钢丝球等硬质材料擦洗产品表面，特别是产品商标处。