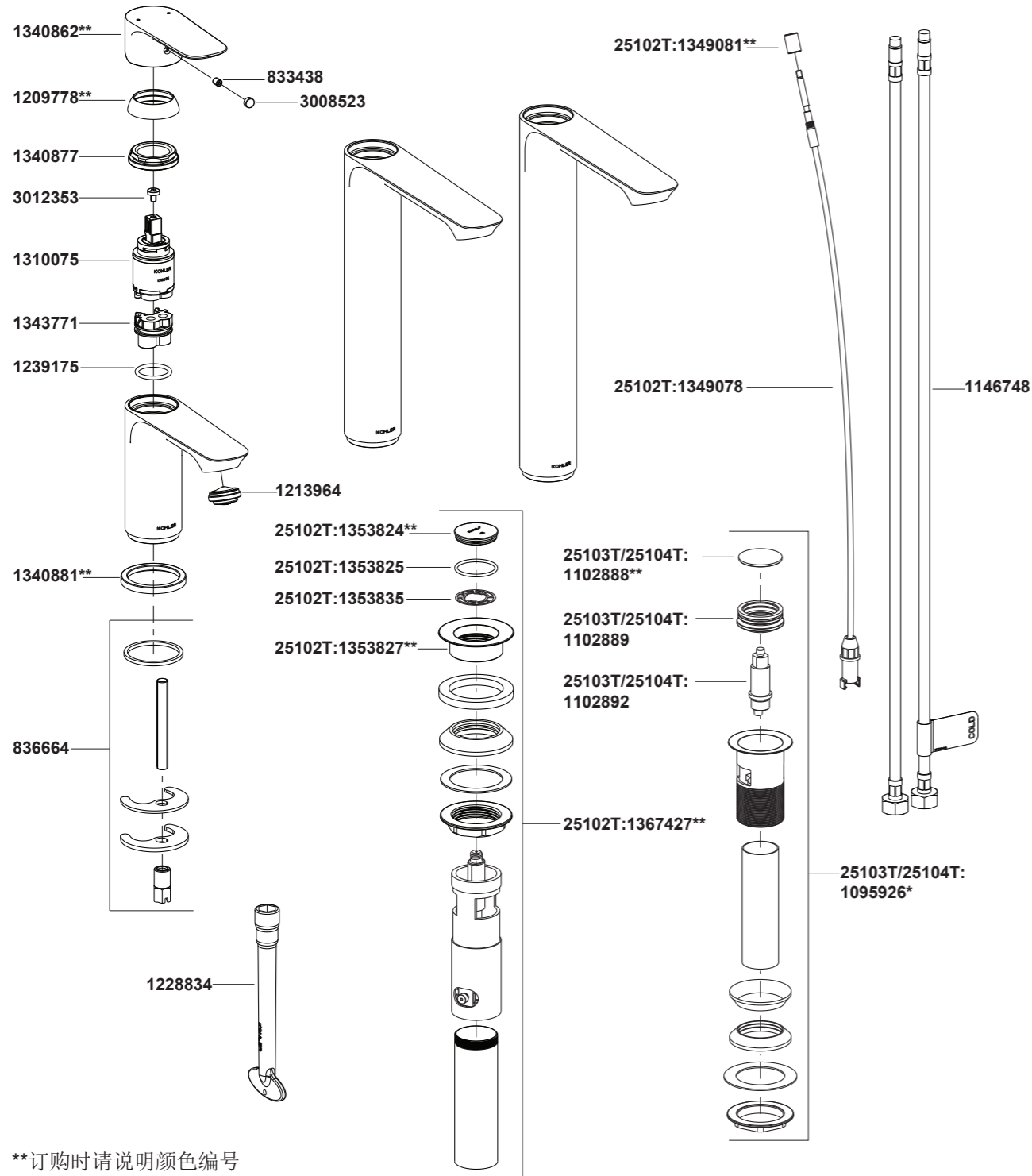


- 25102T-4 单把脸盆龙头(致巧款)
- 25103T-4 单把碗盆龙头(致巧款)
- 25104T-4 单把碗盆龙头(致巧款, 高出水口)



**订购时请说明颜色编号
**Color code must be specified when ordering

- 25102T-4 单把脸盆龙头(致巧款)
- 25103T-4 单把碗盆龙头(致巧款)
- 25104T-4 单把碗盆龙头(致巧款, 高出水口)

安装之前

所有的资料是按最新出版的产品资料编写而成。科勒公司保留任何时候不经通知即可改变产品特性、包装或产品可供类型的权利。

说明书包括重要的安装、保养及清洁方面的内容, 请把这些资料交给用户阅读。

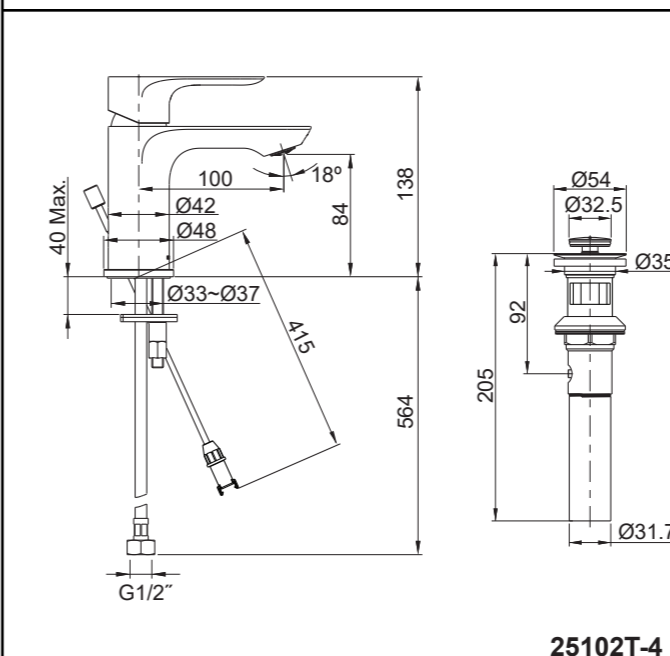
注意事项:

1. 一定要先彻底冲洗供水管以清除管道中的杂质。
2. 尽可能在安装脸盆之前安装水龙头。
3. 检查供水管有无损坏和漏水。如需要, 进行替换和维修。
4. 遵守当地管路安装条例。
5. 切断供水管路。

使用说明

轻轻提起把手, 顺时针旋转把手为热水, 逆时针旋转把手为冷水。

安装尺寸



BEFORE YOU BEGIN

All information is based on the latest product information available at the time of publication. Kohler Co. reserves the right to make changes in product characteristics, packaging, or availability at any time without notice.

Please leave these instructions for the consumer. They contain important information.

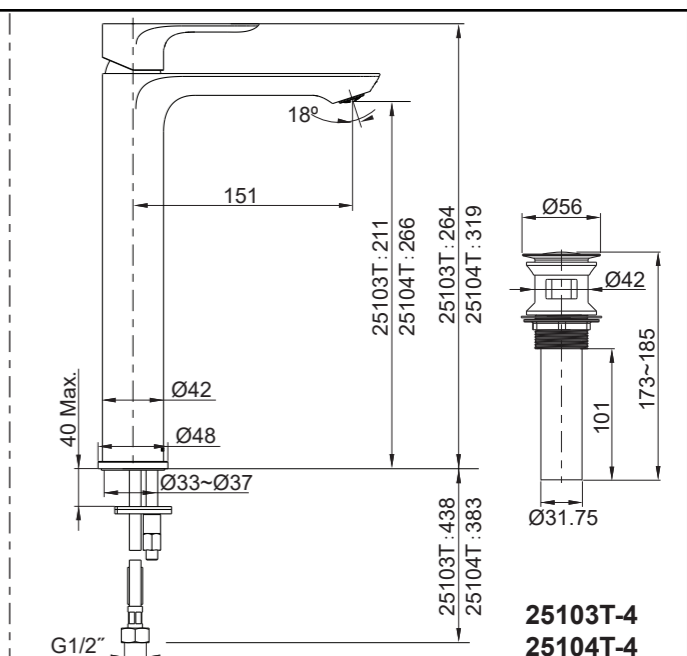
NOTES:

1. Flush the water supply pipes thoroughly to remove debris.
2. If possible, install this faucet before installing the lavatory.
3. Inspect the supply tubing for damage and leakage. Replace and maintain as necessary.
4. Observe local plumbing codes.
5. Shut off the water supplies to the fitting.

HANDLE OPERATION

Lift the handle gently. Turn clockwise for hot water, turn counter-clockwise for cold water.

ROUGH-IN DIMENSIONS



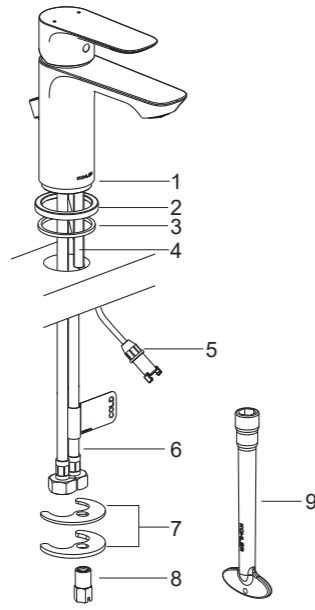
安装步骤

如何安装出水口

先将固定螺栓(4)安装到水龙头底部(1)处,将垫片(3)嵌入到装饰底座(2)的槽中,将装饰底座带垫片穿过软管(6)和提拉线缆末端(5,仅对于25102T-4)套到水龙头底部。

将水龙头组件插入到脸盆的安装孔中,调整水龙头,从脸盆的下方把托架(7,橡胶垫片放在上面)套入固定螺栓,并用扳手(9)拧紧螺母(8)以固定水龙头。

把软管接到水源,当您面对水龙头时左边为热水,右边为冷水,冷水管有“COLD”签。



INSTALLATION

How to Install the Spout

Install the mounting stud(4) onto the bottom(1) of the faucet, and put the washer(3) into the groove at the backside of the escutcheon(2). Slide the escutcheon with the washer over the flexible hoses(6) and cable end(5, only for 25102T-4).

Insert the faucet assembly into the lavatory hole. Position the faucet. From underside of the lavatory, place the brackets(7, Rubber washer is on the top) onto the mounting stud, and tighten the nut(8) with a wrench(9) to secure the faucet.

Attach the hoses to water supplies. When facing front of the faucet, the left hose should be connected to hot water, the right hose with "COLD" label should be connected to cold water.

如何安装排水器 (仅对于25102T-4)

将止水塞(10)、法兰盘(12)及垫片(13)从排水本体(17)上取下。从排水本体上取下尾管(18)。用密封胶带(生料带)在排水器尾管的螺纹上缠几圈,再装回到排水本体上。把排水本体组件从脸盆下方插到脸盆中,磁扣接头(15)朝脸盆后方。

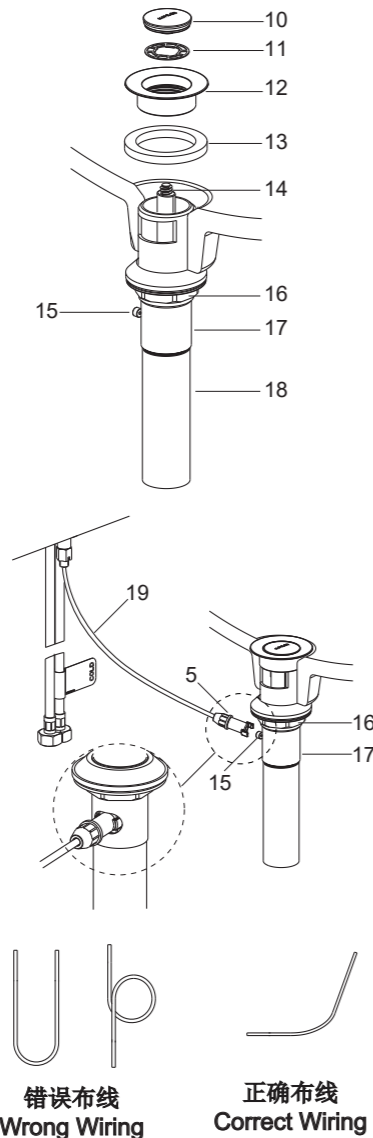
把法兰盘(12)带垫片(13)旋入到排水本体中。确保磁扣接头指向脸盆后方,用扳手拧紧排水本体上的锁紧螺母(16)。将滤网垫片(11)放入法兰盘中。把止水塞(10)旋到活塞组件(14)上。

注意: 如果需要可直接在法兰盘(12)底面沿周围涂一圈密封油灰,或其他密封剂,而不使用垫片(13)。

将提拉线缆末端(5)与线缆排水器磁扣接头(15)相连接,并确保卡扣扣紧。

注意: 在锁紧螺母拧紧后,如法兰盘使用密封油灰则不可以调整排水本体的位置,否则会破坏油灰密封的密封性。同时去除多余油灰。

在排水器安装完成后,请务必检查提拉线缆(19)是否正确安装,避免过于曲折或打结缠绕,确保提拉顺畅。如图所示。



错误布线
Wrong Wiring

正确布线
Correct Wiring

How to Install the Drain (Only for 25102T-4)

Remove the stopper(10), flange(12) and washer(13) from the drain body(17). Take off the tailpiece(18). Apply thread tape to tailpiece and install the tailpiece to drain body. From underside, insert drain body kit into the lavatory with the magnetic snap(15) in the drain facing the back of the lavatory.

Screw the flange(12) with washer(13) onto drain body. Be sure the magnetic snap points to the back of the lavatory, tighten the locknut(16) on the drain body with wrench. Put the filter(11) into the flange. Screw the stopper(10) on the piston kit(14).

NOTE: If needed, apply a ring of plumbers putty around the backside of the drain flange(12), instead of using washer(13).

Install the cable end(5) into the magnetic snap(15), ensure the buckle is locked in place.

NOTE: Do not reposition the drain if plumbers putty applied after the locknut is tightened, or you may break the putty seal. Wipe away excess plumbers putty.

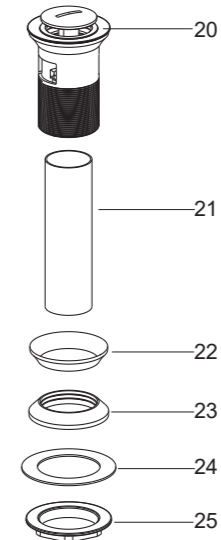
After the installation, please check if the cable(19) is connected properly. Do not overbend or twine the cable as shown.

如何安装排水器 (仅对于25103T-4 & 25104T-4)

先将锁紧螺母(25)、塑料垫片(24)、橡胶垫圈(23)和尾管(21)从排水本体上依次取下。在尾管螺纹处须缠绕足以密封的密封胶或涂合适的密封胶,装回排水本体。

把排水本体从脸盆上部孔插入。依次将橡胶垫圈(小面朝上)、塑料垫片和锁紧螺母从排水本体底部装入。将锁紧螺母锁紧。**注意:** 在锁紧螺母拧紧后,不可调整排水本体的位置,否则会破坏油灰密封或密封剂密封。

注意: 如果需要,可直接在排水器盘片(20)底面沿周围涂一圈密封油灰或其他密封剂,而不使用橡胶垫片(22)。



How to Install the Drain (Only for 25103T-4 & 25104T-4)

Remove the locknut(25), plastic washer(24), rubber gasket(23) and tailpiece(21) from the drain body. Apply enough tape or sealants to tailpiece thread. Reinstall the tailpiece.

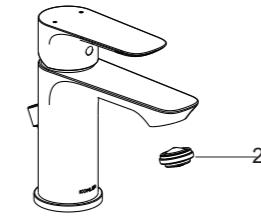
Insert the drain body into the lavatory. Put the rubber gasket (Tapered side up), plastic washer and locknut back to the drain body in turn. Tighten the locknut. **NOTE:** Do not reposition the drain after the locknut is tightened, or you may break the putty or sealant seal.

NOTE: If needed, apply a ring of plumbers putty or other sealants around the underside of the drain flange(20), instead of using rubber washer(22).

安装结果检查

检查并确保所有的衔接螺母都已拧紧,确保把手在关的位置。打开排水器和主要供水源,检查并修理有漏水的接口。

用硬币拆下起泡器组件(26)。打开水龙头冷热水,让水流出约一分钟以清除杂质。冲洗起泡器组件,关闭龙头,重新装回起泡器组件。



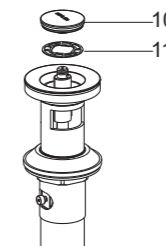
INSTALLATION CHECKOUT

Ensure all connections are tight. Ensure the handle is in the off position. Turn on the drain and main water supply, and check for leaks. Repair as needed.

Remove the aerator kit(26) with a coin. Turn on the faucet. Run hot and cold water through the faucet for about one minute to remove any debris. Remove any debris from the aerator kit. Shut off the faucet. Reinstall the aerator kit.

如何清理排水器 (仅对于25102T-4)

逆时针旋下止水塞(10),取出并清理滤网垫片(11)。重新装回滤网垫片和止水塞。



How to Clean the Drain (Only for 25102T-4)

Turn counter-clockwise the stopper(10). Remove and clear the filter(11). Reinstall the filter and stopper.

清洗说明

适用于所有加工处理过的表面:以中性肥皂水清洗镀层表面,再以干净的软布彻底擦干整个表面,许多清洁剂,比如氨水、去污粉及洁厕灵等,会对电镀表面造成伤害,切忌使用。

有磨损性的清洁用具或清洁剂也不可适用于科勒牌的水龙头及其配件上。

CLEANING INSTRUCTIONS

All Finishes: Clean the finish with mild soap and warm water. Wipe entire surface completely dry with clean soft cloth. Many cleaners may contain chemicals, such as ammonia, chlorine, toilet cleaner etc. which could adversely affect the finish and are not recommended for cleaning.

Do not use abrasive cleaners or solvents on Kohler faucets and fittings.