

## BEFORE YOU BEGIN

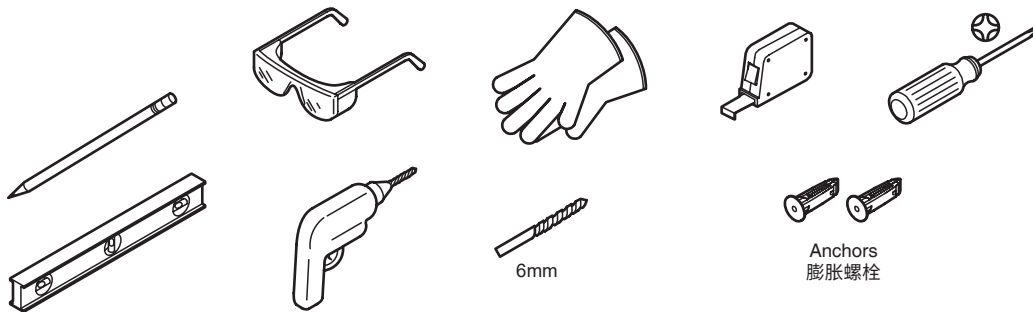
- Congratulation on your purchase of this high quality Bathroom Accessory. Before proceeding with the installation, please carefully read this installation instruction in order to ensure proper care and assembly of this accessory.
- Please keep this installation instruction for future reference.
- Kohler Co. reserves the right to make revisions in the design of products without notice.

## 安装之前

- 首先恭喜您购买到了高档的卫浴产品, 为了使您正确保护和组装产品, 在您安装之前请详细阅读此说明书。
- 请保留此说明书以备参考。
- 科勒公司保留修改产品设计的权利, 恕不事先通知。

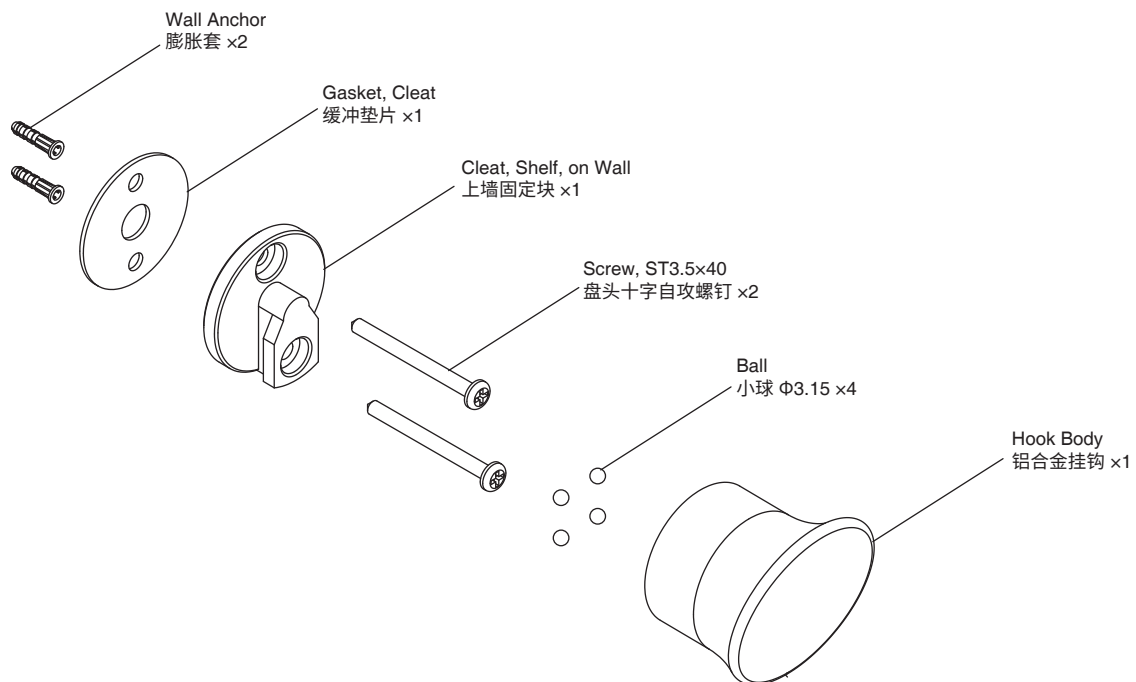
## TOOLS REQUIRED

## 所需工具



## MATERIALS REQUIRED

## 所需物料

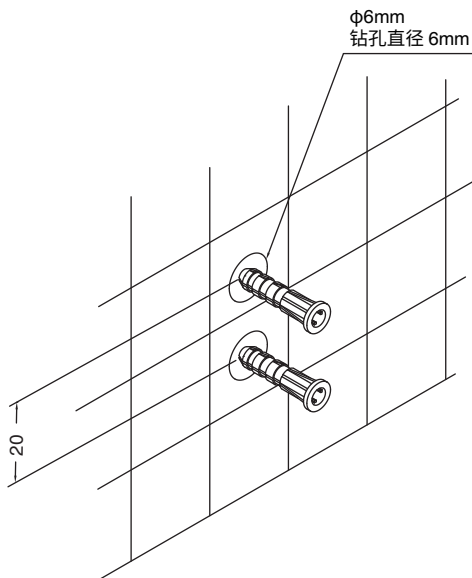


ZHONGSHAN KOHLER SHOWER CO., LTD. NO13-1, XINGYE ROAD, ZHONGSHAN TORCH  
DEVELOPMENT ZONE, ZHONGSHAN, GUANGDONG, CHINA POST CODE: 528437  
中山科勒卫浴有限公司 广东省中山市中山火炬开发区兴业路 13-1 号 邮编:528437

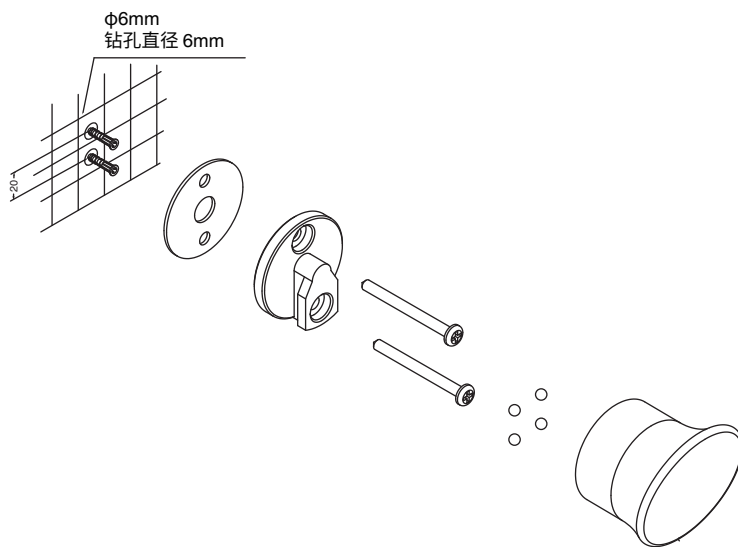
## INSTALLATION

## 安装

1. Drill holes on the wall. Then insert anchors as shown below
1. 在墙面打孔，安装入墙胶粒，请参考下图尺寸



2. Installation Instruction
2. 安装示意图



## CARE AND CLEANING

## 清洁和保养

- Use a mild detergent such as liquid dishwashing soap and warm water for cleaning. Do not use abrasive or high density cleaners that may scratch or dull the surface.
- Carefully read the cleaner product label to ensure the cleaner is safe for use on the material.
- Always test your cleaning solution on an inconspicuous area before applying to the entire surface.
- Wipe surfaces clean and rinse completely with water immediately after cleaner application. Rinse and dry any overspray that lands on nearby surfaces.
- Use a soft, dampened sponge or cloth. Never use an abrasive material such as a brush or scouring pad to clean surfaces.

- 在清洁产品时，请使用温和的清洗剂，如液体清洗剂和温水。请勿使用研磨性的清洁用品或高浓度擦洗剂，否则会损坏产品表面或使其失去光泽。
- 仔细阅读清洗剂的产品说明，以确保该类清洗剂适用于本产品。
- 在清洗整个产品表面前，请在产品的不显眼处试用该清洗剂。
- 在使用清洁剂擦洗产品后，请立刻用水擦净并冲洗表面。同时请擦去溅洒到附近表面的清洁剂。
- 请使用柔软湿润的海绵或布。请勿使用刷子或百洁布等磨损性的清洁材料。