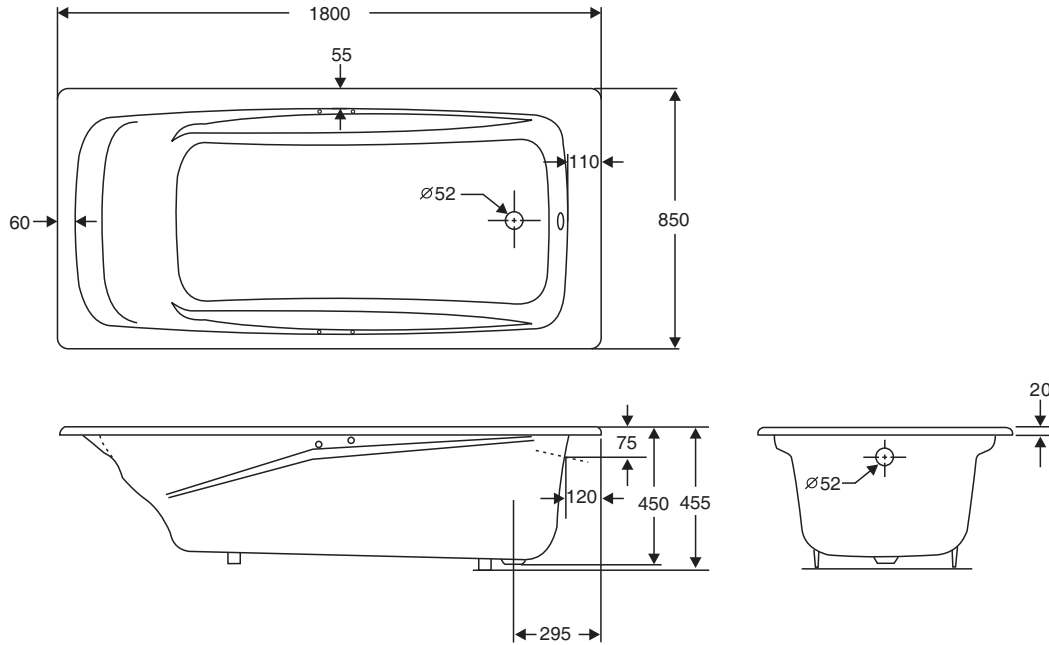


### K-18236T/K-18236T-GR

#### ROUGHING-IN 产品尺寸图 (Unit:mm) (单位: 毫米)



#### PRODUCT INFORMATION 产品信息

Capacity 水容量 (To Overflow Hole Bottom 至溢水口底部)	240L (升)
Water Capacity to Edge of Rim 满水容量(至顶端)	336L (升)

#### Cut-out Dimensions 切割图尺寸

K-18236T/K-18236T-GR.....1762mm × 812mm

#### Optional Accessory Information 可选配件信息

Drain 排水 .....K-17295T-\*

Grip Rail 扶手 .....K-8598T-\*

(For K-18236T-GR / 适用于K-18236T-GR)

Adjustable Feet 可调节支撑脚 .....K-18416T-NA