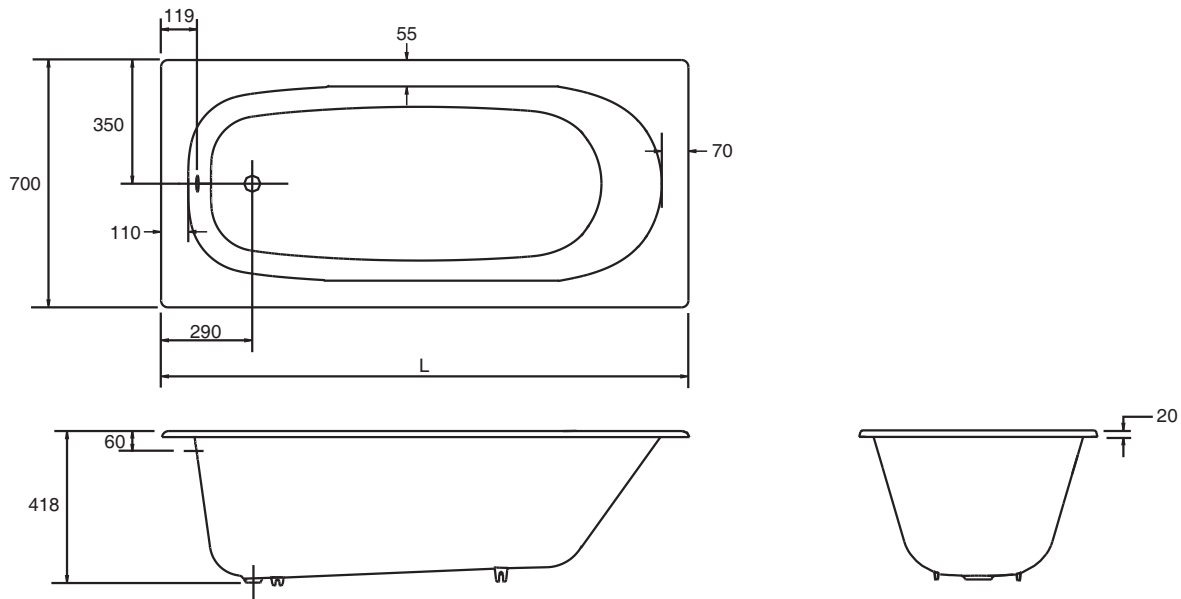


### K-940T/K-940T-GR K-941T/K-941T-GR K-943T/K-943T-GR

#### ROUGHING-IN 产品尺寸图 (Unit:mm) (单位: 毫米)



#### PRODUCT INFORMATION 产品信息

	K-940T/K-940T-GR	K-941T/K-941T-GR	K-943T/K-943T-GR
Length 长度	1700mm (毫米)	1500mm (毫米)	1600mm (毫米)
Capacity 水容量 (To Overflow Hole Bottom 至溢水口底部)	158L (升)	141L (升)	145L (升)

#### Cut-out Dimensions 切割图尺寸

K-940T/K-940T-GR .....	1662mm × 662mm
K-941T/K-941T-GR .....	1462mm × 662mm
K-943T/K-943T-GR .....	1562mm × 662mm

#### Optional Accessory Information 可选配件信息

Drain 排水 .....	K-17295T-CP
Grip Rail 扶手 .....	K-8599-CP
	(For K-940T-GR/K-941T-GR/K-943T-GR)
	(适用于K-940T-GR/K-941T-GR/K-943T-GR)
Adjustable Feet 可调节支撑脚 .....	K-18416T-NA

Compiled information is subject to change without prior notice  
收录信息如有变动恕不另行通知