

## BEFORE YOU BEGIN

- All information is based on the latest product information available at the time of publication. Kohler China Ltd. reserves the right to make changes in product characteristics, packaging, or availability at any time without notice.
- These instructions contain important care, cleaning, and warranty information—**please leave these instructions for the consumer.**
- Make sure that the bath and the finished wall material are completely and correctly installed prior to installing your shower door. Prepare waterproof layer to wall and floor of the showering area. It is not allowed for any presence of electric switches and sockets. Make sure the floor drain runs smoothly.
- Before starting the door installation, lay out and identify all the parts. Use the exploded view illustrated on page 2 for reference.
- For the installation method of customized shower with different dimensions, please refer to this instructions.
- The product complies with QB 2584-2007.

**⚠ CAUTION: Risk of injury or product damage.**  
 Tempered glass cannot be cut, drilled or knocked by hard object. Make sure corner area of the glass refraining from knocking so as to cause personal injury due to broken glass.

**ATTENTION:** Please install this door on Kohler receptors or curbs (Not included). If the curb is not Kohler-branded, please note its top width should be more than 80mm.

**IMPORTANT:** The shower door requires a flat vertical finished wall. The squareness of the wall is recommended no more than 3 mm/m. KOHLER Company won't take responsibility of the installation quality.

Do not use the enclosure for at least 24 hours.  
 安装后 24 小时内请勿使用淋浴房。



## 安装之前

- 说明书中所有的资料是按最新出版的产品资料编写而成。科勒中国有限公司保留任何时候无须通知即可改变产品特性、包装或产品可供类型的权利。
- 说明书包括重要的安装、清洁及保养方面的内容，**请把这些资料交给用户阅读，保管。**
- 确保在安装淋浴房之前已经完整正确地安装了浴室和完工墙面材料。淋浴区墙地面应做防水处理，并不得布置有电器开关、插座。确保地面排水通畅。
- 在进行淋浴房安装之前，请拿出、排列并确认所有的零部件。请参考第 2 页上所示的分解图。
- 对尺寸与本标准产品不同的定制淋浴房，参照本说明书进行安装。
- 本产品符合 QB 2584-2007。

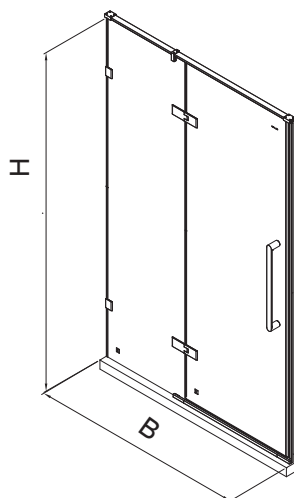
**⚠ 警告：可能有人伤害或者产品损坏的危险。**  
 钢化玻璃不能进行切割，钻孔或硬物敲击。搬移或安装过程中，小心确保玻璃边、角部位不受撞击，以防爆裂伤人。

**建议：**将本产品安装在科勒淋浴盆或挡水条上（需另行购买）。如自备挡水条，建议顶面宽度尺寸大于 80mm。

**重要事项：**淋浴房需要安装在平坦垂直的墙面上。墙面的垂直度推荐在正负 3mm/m 以内。如果超出此范围，科勒公司将不保证淋浴房的完美使用。

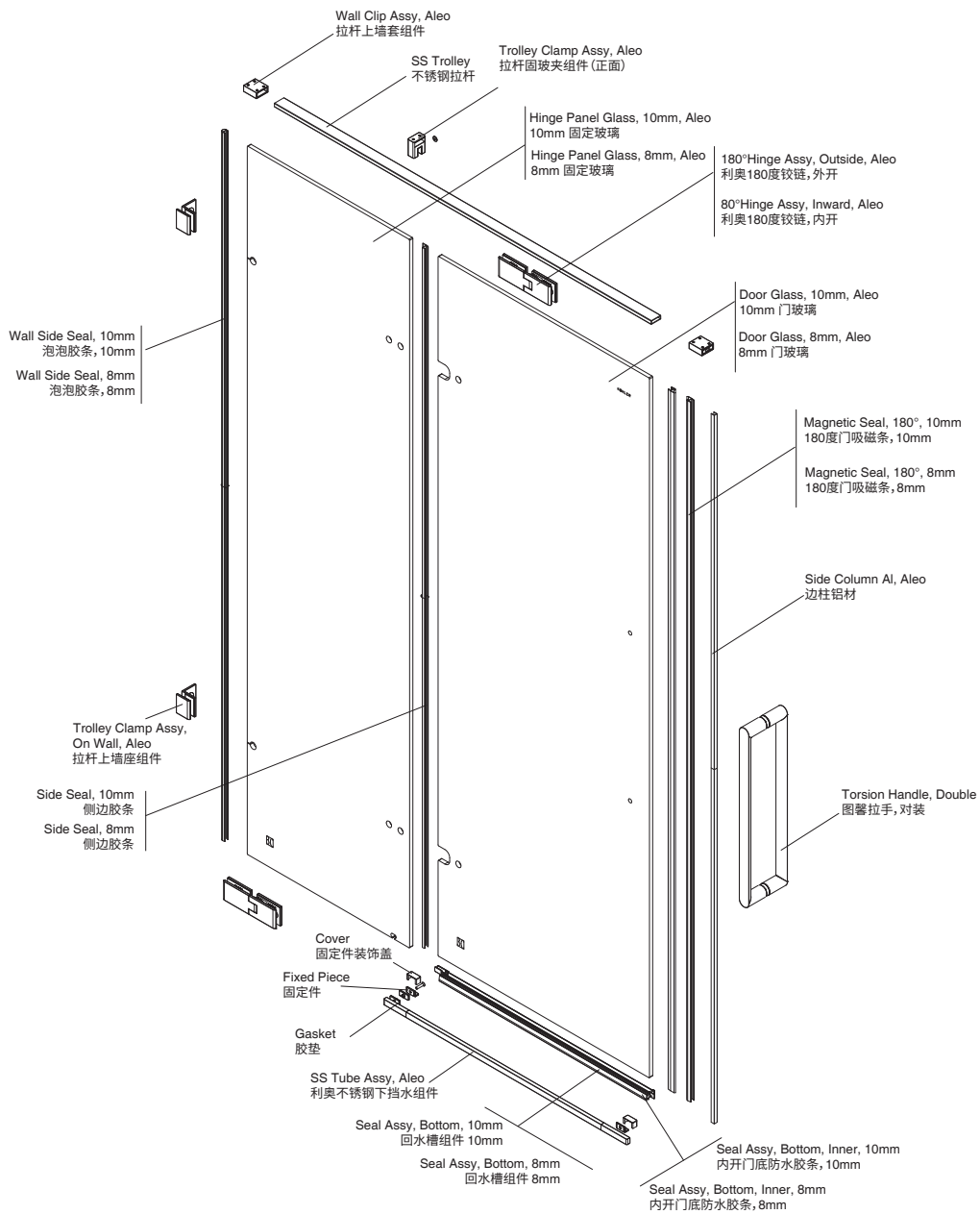
## ROUGHING-IN 尺寸图

Unit: mm  
 单位: 毫米



SKU	B	H
K-704644T	800-1400	1850-2200
K-704652T		

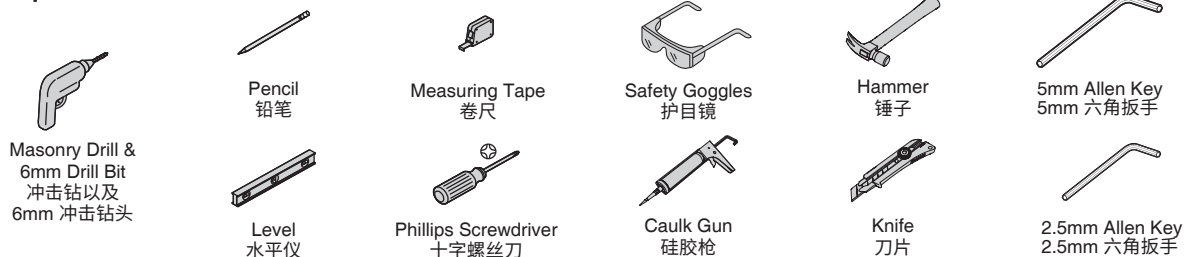
ZHONGSHAN KOHLER SHOWER CO., LTD. NO13-1, XINGYE ROAD, ZHONGSHAN TORCH  
 DEVELOPMENT ZONE, ZHONGSHAN, GUANGDONG, CHINA POST CODE: 528437  
 中山科勒卫浴有限公司 广东省中山市中山火炬开发区兴业路 13-1 号 邮编:528437



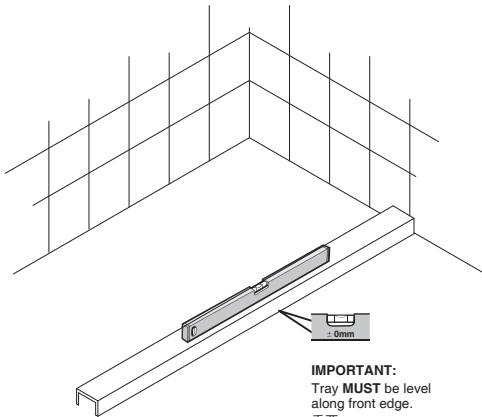
	X2	Trolley Clamp Assy, On Wall, Aleo 拉杆上墙座组件
	X2	180°Hinge Assy, Aleo 利奥180度铰链
	X1	Trolley Clamp Assy, Aleo 拉杆固玻夹组件 (正面)
	X2	Wall Clip Assy, Aleo 拉杆上墙套组件
	X1	SS Tube, 10x30x1.5mm 不锈钢拉杆
	X1	Side Column Al, Aleo 边柱铝材
	X1	Torsion Handle, Double 图馨拉手, 对装
	X2	Cover 固定件装饰盖
	X2	Fixed Piece 固定件

	X2	Gasket 胶垫
	X1	SS Tube Assy, Aleo 利奥不锈钢下挡水组件
	X1	Seal Assy, Bottom 回水槽组件
	X1	Wall Side Seal 泡泡胶条
	X1	Side Seal 侧边胶条
	X1	Magnetic Seal 180度门吸磁条
	X1	Screw Cover Cap M6 CSK Grey 螺丝盖帽
	X6	Pan Screw ST3.5X40 圆头螺丝 ST3.5X40
	X6	Hollow Wall Anchor, Nylon 膨胀套

### Tools Required/所需工具



Install the tube so that it is horizontal.  
放置挡水条，需确保挡水条放置水平。



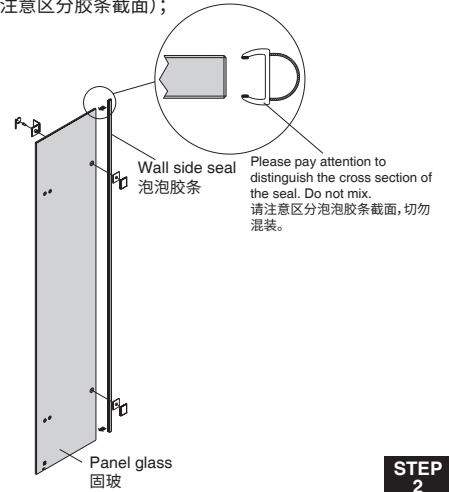
**IMPORTANT:**  
Tray **MUST** be level  
along front edge.  
重要：  
底盘必须水平。

**STEP 1**

Install accessories onto the panel glass:

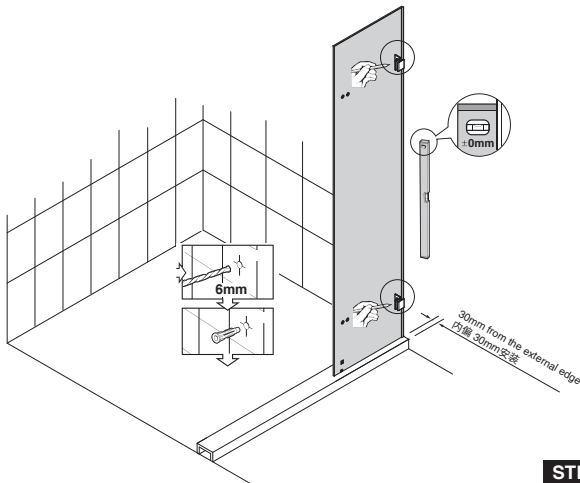
1. Install the wall side seal (Please pay attention to distinguish the cross section of the seal);
2. Install the wall clip;

安装固玻上面的配件：  
1. 安装侧边泡泡胶条（请注意区分胶条截面）；  
2. 安装墙夹；



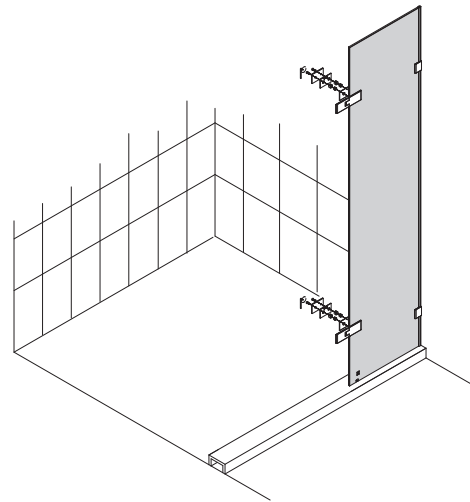
**STEP 2**

Install the panel glass onto the wall: Place the panel glass 30mm from the external edge of the tube. Adjust the glass so that it is vertical. Then draw lines, drill holes and install screws to fix the glass.  
固玻安装上墙：固玻距挡水条边缘内偏 30mm 安装，之后调节垂直，划线，打孔，上螺丝紧固。



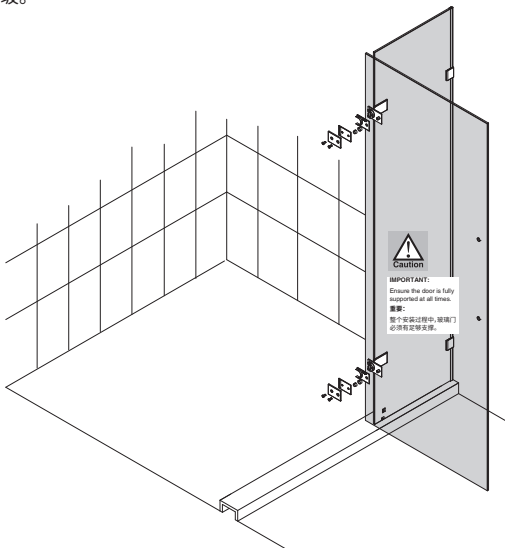
**STEP 3**

Attach the hinge to the panel glass.  
将铰链安装在固玻上。



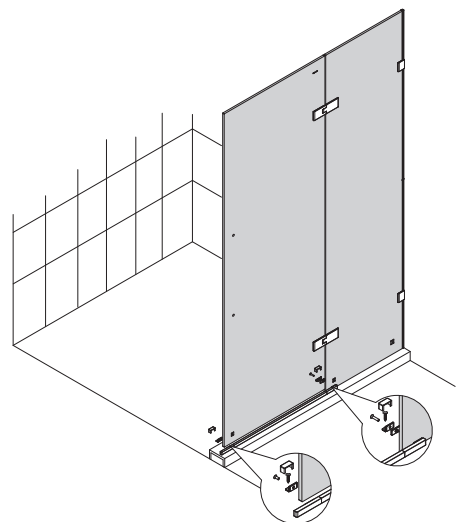
**STEP 4**

Install the door glass.  
安装门玻。



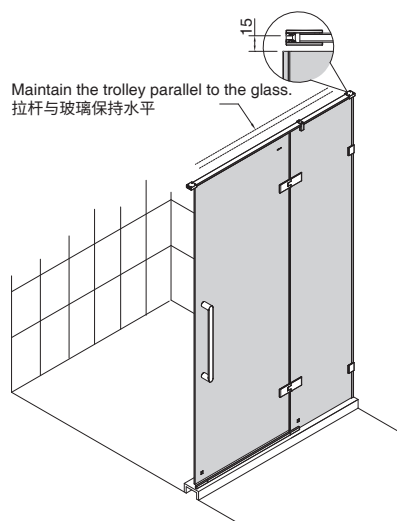
**STEP 5**

Install the bottom waterproof structure, (Note: This structure shall be parallel to the tube).  
安装下挡水材，（注意：安装时请注意与挡水边平行）。



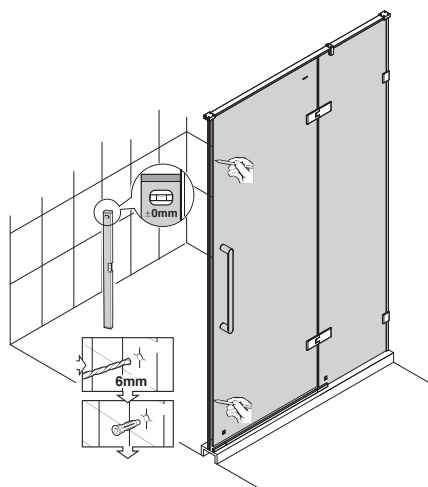
**STEP 6**

Install the handle and trolley so that the wall seat of the trolley is 15mm from the top of the glass.  
 安装拉手和拉杆，拉杆墙座中心孔距玻璃顶面为 15mm



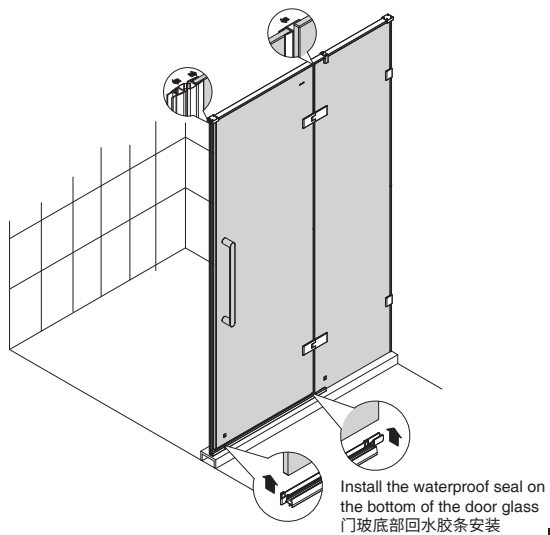
**STEP**  
7

Install the wall channel.  
 安装上墙铝材。



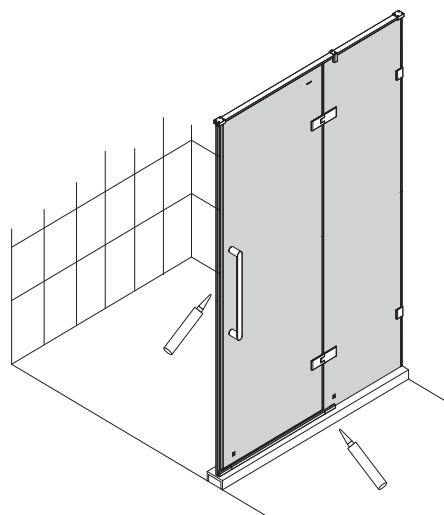
**STEP**  
8

Install the seal and the magnetic strip.  
 安装胶条和磁条。



**STEP**  
9

Apply the silicone sealant.  
 打防水胶。



**STEP**  
10