

KOHLER®

INSTALLATION INSTRUCTIONS

安装说明书

星珀
SYMBOL
Riser Tubes

18492T

落地支架

安装之前

所有的资料是按最新出版的产品资料编写而成。科勒公司保留任何时候不经通知即可改变产品特性、包装或产品可供类型的权利。

说明书包括重要的安装、保养及清洁方面的内容,请把这些资料交给用户阅读。

注意事项:

1. 一定要先彻底冲洗供水管以清除管道中的杂质。
2. 该支架只具有连接功能,它必须与具有冷热控制开关的与之相配合的科勒浴缸龙头配合使用。

BEFORE YOU BEGIN

All information is based on the latest product information available at the time of publication. Kohler Co. reserves the right to make changes in product characteristics, packaging, or availability at any time without notice.

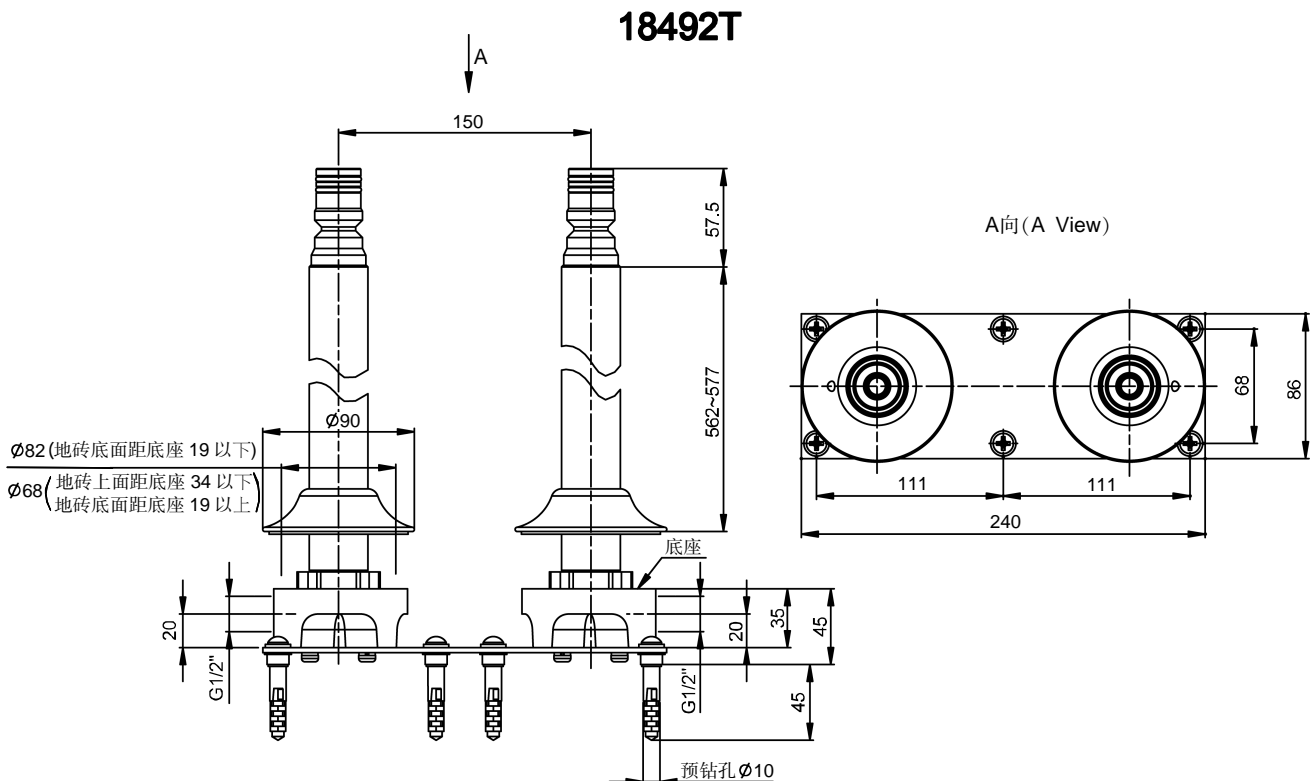
Please leave these instructions for the consumer. They contain important information.

Notes:

1. Flush the water supply pipes thoroughly to remove debris.
2. The riser tubes are for connection only. It must be matched with the mixer from Kohler Co..

安装尺寸

ROUGH-IN DIMENSIONS



安装步骤

如何安装底座

根据选配的龙头和浴缸确定安装位置。

根据选定的安装位置和底座(2)安装尺寸(见第一页),在地面上标记安装孔中心点。用 $\varnothing 10$ 钻头在地面打孔。将胀塞(1)塞入孔中,用自攻钉(4)套上垫片(3),通过底座旋入胀塞中,用水平尺找平底座(2)(参照 Fig. 1),锁紧自攻钉以固定底座。

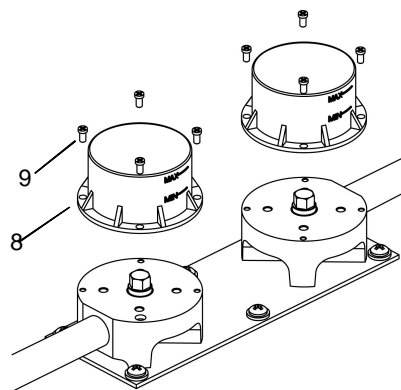
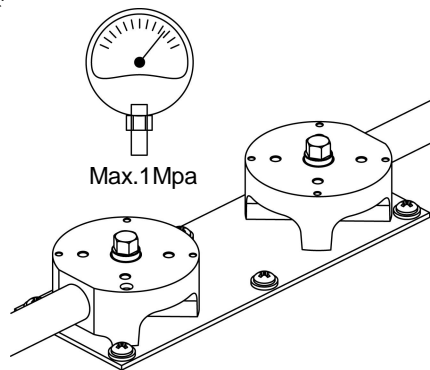
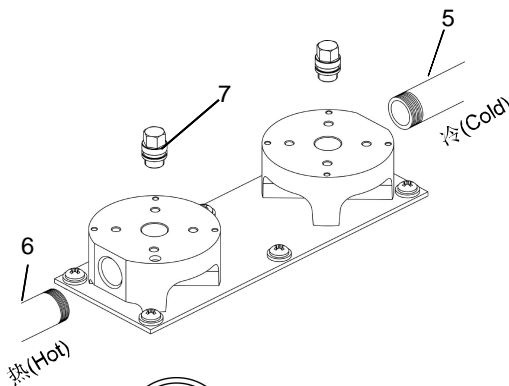
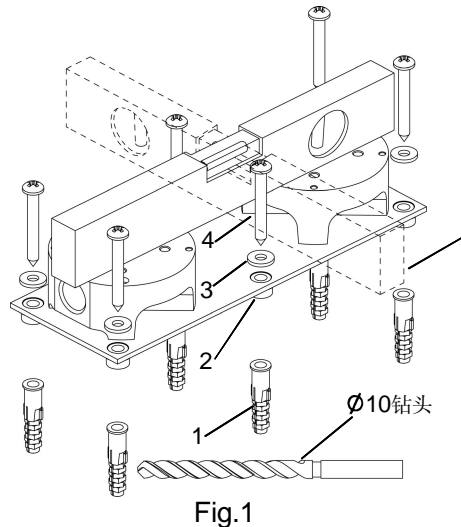
螺纹处须缠绕足以密封的密封胶带或适合的密封胶,将冷热水管(5,6 用户自备)旋入底座。

如因管道安装破坏了底座的水平状态,要重新进行调整。

用堵头(7)堵住底座,冷热水管道加压到 1Mpa,检查有无渗漏。

用螺钉(9)将保护罩(8)固定到底座上。

注意:此时不要卸下堵头(7)。



INSTALLATION

How To Install Base

Determine a suitable location according to the bath faucet purchased and bath.

Mark base mounting hole locations on the floor according to determined location and base(2) mounting dimensions(as shown page 1). Drill holes on the floor with $\varnothing 10$ spade drill bit. Press the anchors(1) into the holes. Screw the self-tapping screws (4) with washers(3) into the anchors through the base. Use a level to ensure that base is level, refer to Fig.1. Tighten self-tapping screws to secure the base.

Supply enough tape or sealant on pipe threads. Connect G1/2" hot and cold water supply pipes(5, 6, not provided) to base.

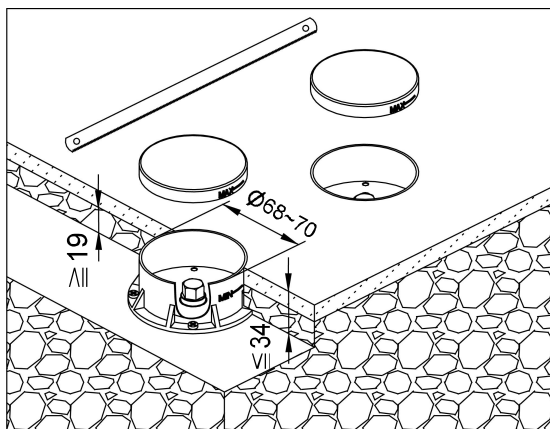
If the base level is broken by fixing pipes, readjustment is needed.

Install plugs(7) on bases. Increase hot and cold water supply pressure to 1Mpa. Inspect for leaks.

Secure protectors(9) onto the base with screws(9).

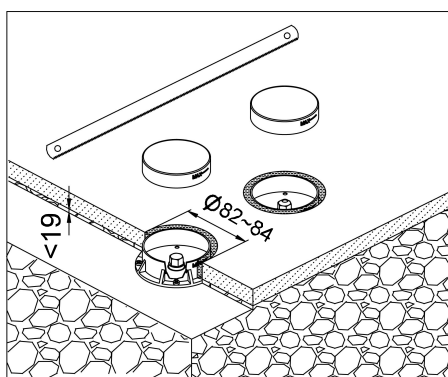
Note: Don't remove the plugs(7) at the moment.

1.底座上面到地砖底面 $\geq 19\text{mm}$ (地砖底面在保护罩 MIN 线之上),且底座上面到地砖上面 $\leq 34\text{mm}$ (地砖上面在保护罩 MAX 线之下)时:



在地砖上钻孔 $\text{Ø}68\sim 70\text{mm}$,铺装地砖。

2.底座上面到地砖底面 $< 19\text{mm}$ (地砖底面在保护罩 MIN 线之下)时:



在地砖上钻孔 $\text{Ø}82\sim 84\text{mm}$,铺装地砖。并在地砖和保护罩缝隙之间填充白水泥或密封胶,填充物与地砖表面齐平。

用锯条贴地砖表面锯除保护罩的露出部分。

1. When the distance between top surface of bases(2) and bottom surface of tiles is $\geq 19\text{mm}$ (bottom surface of tiles is above the MIN line on the protector), and the distance between top surface of base and that of tile is $\leq 34\text{mm}$ (top surface of tiles is under the MAX line on the protector):

Drill $\text{Ø}68\sim 70\text{mm}$ mounting holes in the tiles. Fix the tiles.

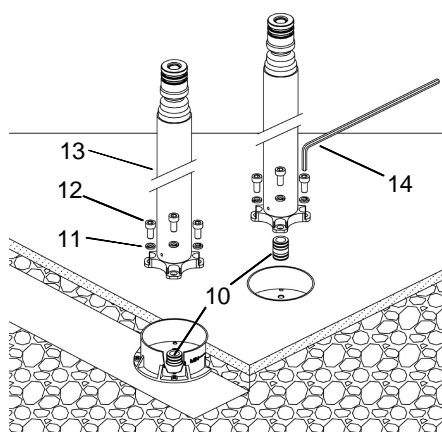
2. When the distance between top surface of bases(2) and bottom surface of tiles is $< 19\text{mm}$ (bottom surface of tiles is under MIN line on the protector):

Drill $\text{Ø}82\sim 84\text{mm}$ mounting holes in the tiles. Fix the tiles. Fill the slots between protector and tiles with white cement or sealants, filler is level with surface of tiles.

Cut away the protector extending parts in accordance with the tile surface.

如何安装连接管及装饰盖

关闭水源。取下堵头(7),装入接头(10),用螺钉(12)套上垫片(11)将连接管(13)固定到底座上。**注意:**此时不要将螺钉拧紧。将与之相配的浴缸龙头连接到连接管(13)上。此时如果发现连接管与龙头接管之间有缝隙,可以将螺钉及垫片卸下,转动连接管 90° 或 180° ,使缝隙最小。装回螺钉及垫片,用六角扳手(14)锁紧螺钉。

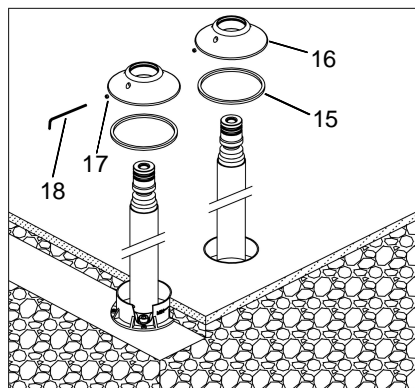


How To Install Tubes and Escutcheons

Shut off water supply. Remove plugs (7) from bases. Insert connectors(10) onto the bases. Fix tubes(13) onto the bases with screws(12) and washers (11). **Note:** Don't tighten the screws at the moment. Install the matched bath faucet to tubes. If there is gap between the bath faucet connectors and tubes, remove the screws and washers, rotate the tubes as 90 degrees or 180 degrees to decrease gap. Reinstall screws and washers. Tighten screws with hex wrench(14).

注意:安装前,检查螺钉(17)是否露出装饰盖(16)内表面,如露出用扳手将其退出,防止划伤水管表面。

将垫片(15)放在装饰盖(16)底面的槽中。将装饰盖套入连接管,下推直至与铺装好的地面接触。用 2mm 六角扳手(18,相配的龙头带)锁紧螺钉(17)以固定装饰盖。



Note: Ensure the screws(17) is not beyond internal surface of escutcheons(16) before installation. Or adjust them by hex wrench(18). In order to avoid damage the riser tube surface.

Install the washers(15) into the grooves on the bottom of the escutcheons(16). Slide escutcheons(16) onto the tubes. Push them against the finished floor. Secure them with screws(17) by 2mm hex wrench(18, provided with bath faucet).

清理说明

适用于所有加工处理过的表面:以中性肥皂温水清洗镀层表面,再以干净的软布彻底擦干整个表面。许多清洁剂,比如氨水、去污粉及洁厕灵等,会对电镀表面造成伤害而不宜使用。

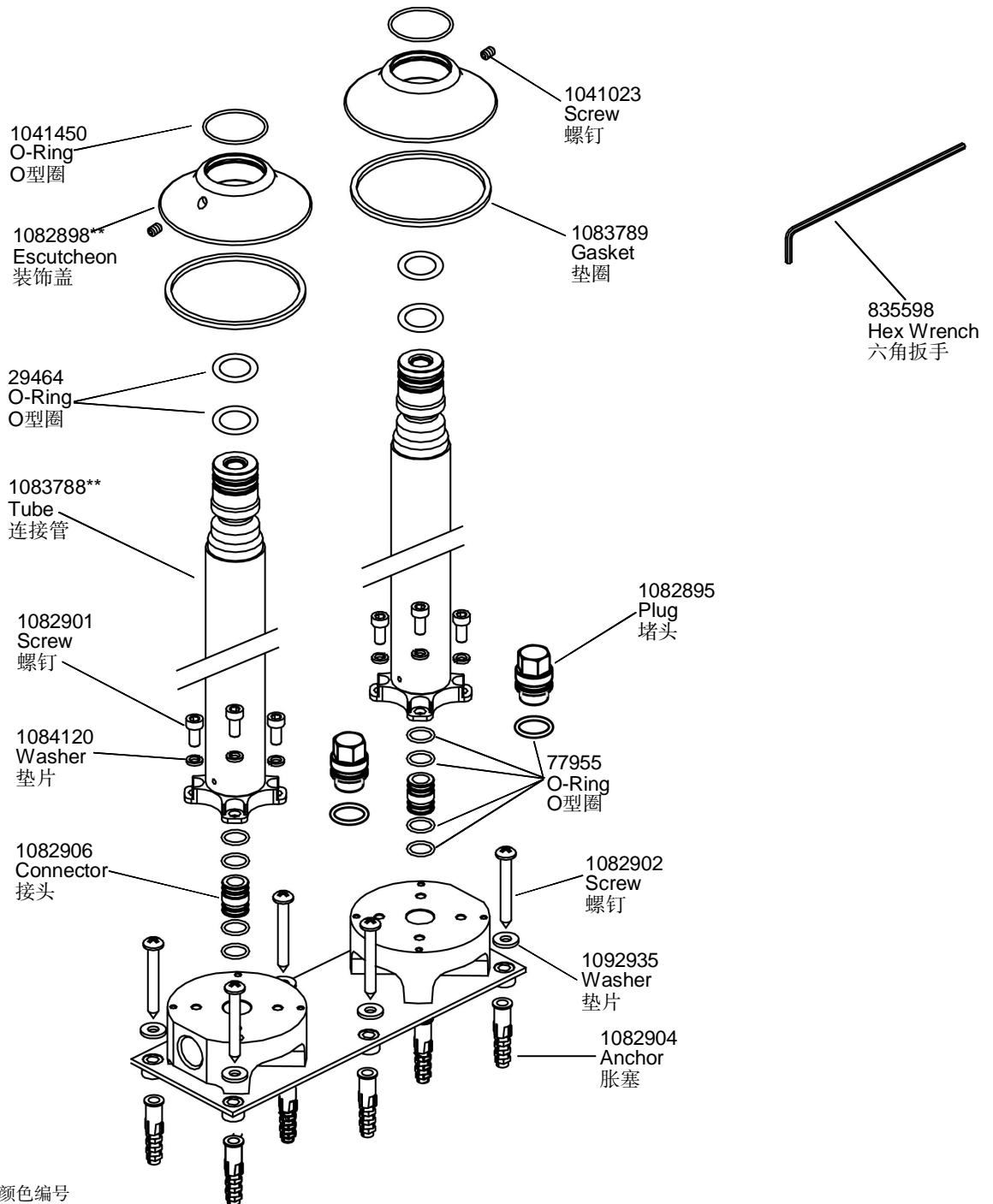
有腐蚀性的清洁剂或溶剂不可用于科勒牌的水龙头及其附件上。

CLEANING INSTRUCTIONS

All Finishes: Clean the finish with mild soap and warm water. Wipe entire surface completely dry with clean soft cloth. Many cleaners may contain chemicals, such as ammonia, chlorine, toilet cleaner etc. which could adversely affect the finish and are not recommended for cleaning.

Do not use abrasive cleaners or solvents on Kohler faucets and fittings.

18492T 落地支架



**订购时请说明颜色编号

**Color code must be specified when ordering.