

KOHLER®

INSTALLATION INSTRUCTIONS

安装说明书

菲尔法斯 AIRFAX

4" Centerset Lavatory Faucet

12266T-4

4寸双把手面盆龙头

安装之前

BEFORE YOU BEGIN

所有的资料是按最新出版的产品资料编写而成。科勒公司保留任何时候不经通知即可改变产品特性、包装或产品可供类型的权利。

All information is based on the latest product information available at the time of publication. Kohler Co. reserves the right to make changes in product characteristics, packaging, or availability at any time without notice.

说明书包括重要的安装、保养及清洁方面的内容,请把这些资料交给用户阅读。

Please leave these instructions for the consumer. They contain important information.

注意事项:

Notes:

1. 一定要先彻底冲洗供水管以清除管道中的杂质。
2. 如果是安装新的洗面盆,可将水龙头和排水组件先装到面盆上。

1. Flush the water supply pipes thoroughly to remove debris.
2. For new installations, assemble faucet and drain to lavatory before installing lavatory.

使用说明

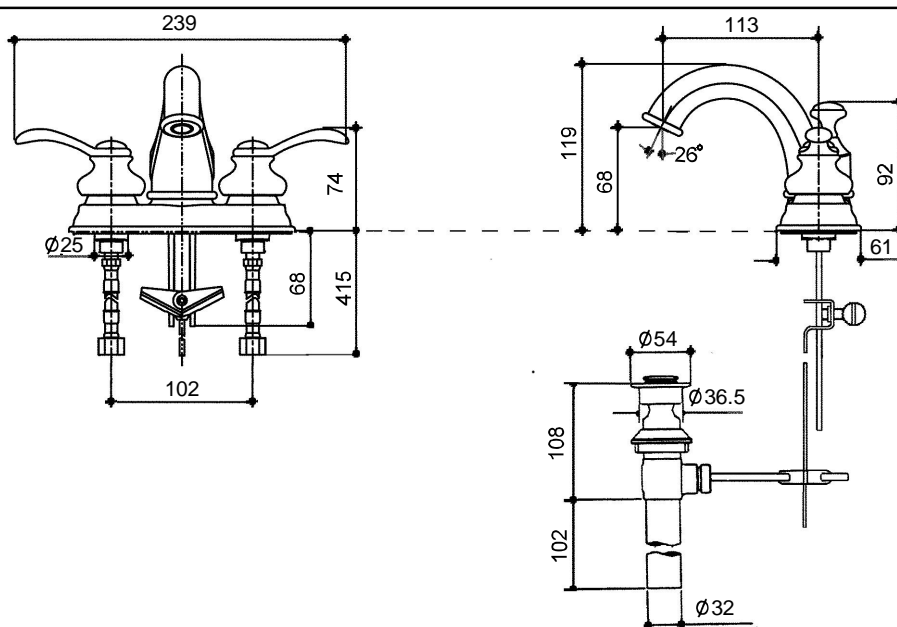
HANDLE OPERATION

逆时针旋转左把手为开,顺时针旋转右把手为开。

Left handle opens with one-quarter turn counter-clockwise. Right handle opens with one-quarter turn clockwise.

安装尺寸

ROUGH-IN DIMENSIONS

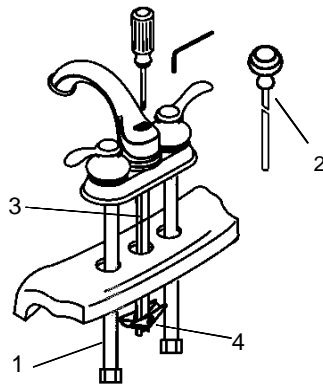


安装步骤

将龙头的软管(1)和带有锁紧组件(4)的固定螺杆(3)插入安装孔中。

用螺丝刀或者六角扳手插入提拉杆孔中,将其旋紧。检查锁紧组件否锁紧,而且软管自由悬摆。

将提拉杆(2)插入水龙头后部的提拉杆孔中。



INSTALLATION

Insert the hoses(1) and the screw(3) with toggle assembly(4) into the mounting holes of lavatory.

Using a #2 Phillips screwdriver or 3/16" wrench, tighten the faucet through the lift rod hole. Be sure that the toggle assembly is tightened, and the hoses hung freely.

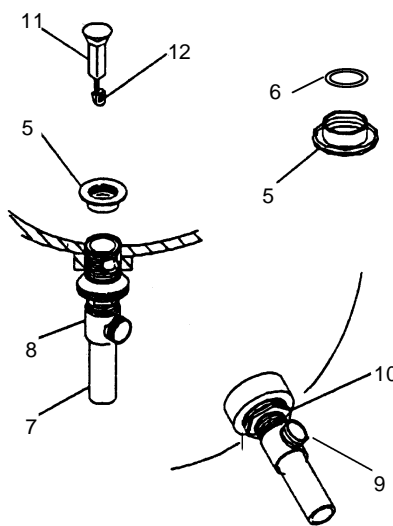
Insert the lift rod into the hole on the back of faucet.

如何安装提拉排水组件

将盘片(5)从排水本体(8)取下,在排水器盘片底部套上垫片(6),用密封胶带(生料带)在排水器尾管(7)上缠几圈,装入排水本体(8)。把排水本体从底下插入洗面盆,排水杆口(9)朝后方,把排水器盘片旋入排水本体中,从下方用手拧紧锁紧螺母(10)。

把止水塞(11)放入排水本体中,调整以使止水塞末端的洞口(12)靠近并对正排水球杆的洞口。

注: 如果需要,可直接在排水器盘片(5)底面沿周围涂上一圈密封油灰,而不使用垫片(6)。



How To Install The Drain

Remove flange(5) from drain body. Slide the washer(6) onto the underside of the drain flange. Apply thread tape to tailpiece(7) and install the tailpiece to drain body(8). Insert drain body into underside of lavatory with drain lever hole(9) facing to the back of the lavatory and thread flange(5) onto drain body until handtight. Tighten the locknut(10) by hand from the underside of the fixture.

Place stopper(11) into drain body aligning the flat side of stopper hole(12) with the drain lever hole.

NOTE: If needed apply a ring of plumbers putty around the underside of the drain flange(5), instead of using washer(6).

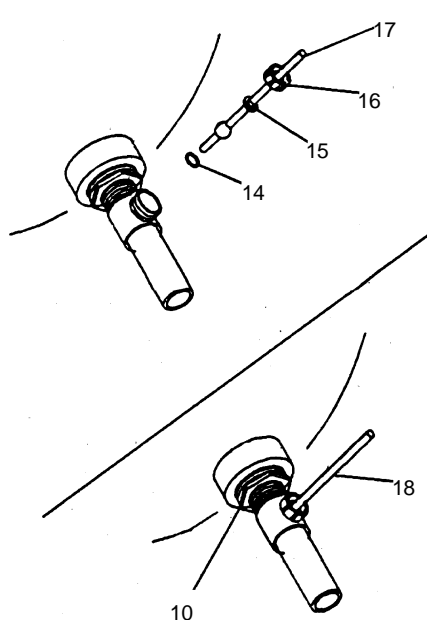
将橡胶垫片(14)装进排水杆孔(9)里,再把另一个塑料垫片(15)和固定螺母(16)套进杆子长的一端(17)。

把球杆组件(18)插入排水球杆的洞中并穿过止水塞,拧紧固定螺母。

球杆指向洗面盆后方,并拧紧排水本体上的锁紧螺母,去除多余油灰。

注意:

在锁紧螺母后,不要再调整排水本体的位置,否则将会破坏油灰密封。



Place the rubber washer(14) into the drain lever hole. Put another plastic washer(15) and retaining nut(16) into the long end of the ball lever rod(17). Insert the ball lever assembly(18) into the drain lever hole and through the stopper hole, and tighten the retaining nut.

Be sure that the ball lever points to the back of the lavatory. Tighten the locknut on the drain body. Remove any excess putty.

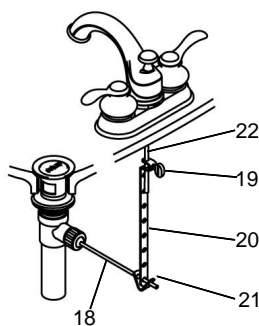
NOTE:

Do not reposition the drain after the locknut is tightened, or you may break the putty seal.

把手捻螺丝(19)装到联杆(20)中,用V形夹(21)将联杆接在球动杆(18)上,将提拉杆(22)插入水龙头及联杆的孔中,调整提拉杆的位置,使得提拉杆头的底部正好顶在水龙头的本体上。

将球动杆往下推到排水器全开的位置。

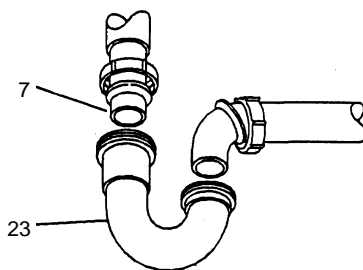
拧紧手捻螺丝。



Assemble thumb screw(19) to link(20), and link onto ball lever rod(18) with "V"-clip(21). Slide lift rod(22) through hole in faucet and into the hole in link. Position the lift rod so bottom of the lift rod knob rests against the faucet body. Push the ball lever down into the open position.

Tighten thumb screw.

把尾管(7)接上存水弯(23),尾管应插入存水弯 25mm 到 50mm 之间。



Connect the tailpiece(7) to the trap(23). The tailpiece should extend 25mm to 50mm into the trap.

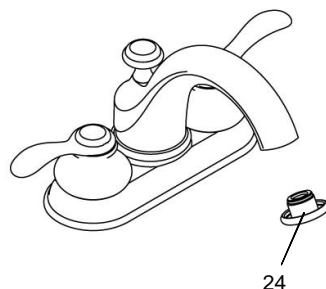
安装结果检查

INSTALLATION CHECKOUT

检查并确保所有的衔接螺母都已拧紧。确保把手处在“关”的位置。

打开排水器和主要供水源,检查并修理有漏水的接口。

将起泡器(24)卸下,打开水龙头的冷热水,让水流出约一分钟以清除杂质,检查渗漏。冲洗起泡器,关闭水龙头后,重新装回起泡器。



Ensure all coupling nuts are tight. Ensure that handles are in the off position.

Turn on main water supply and check for leaks. Repair as required. Remove aerator(24) assembly. Turn the faucet handles on and run hot and cold water through the spout for about a minute to remove any debris. Check for leaks at this time. Remove any debris from aerator assembly. Shut faucet off and reinstall aerator assembly.

清理说明

CLEANING INSTRUCTIONS

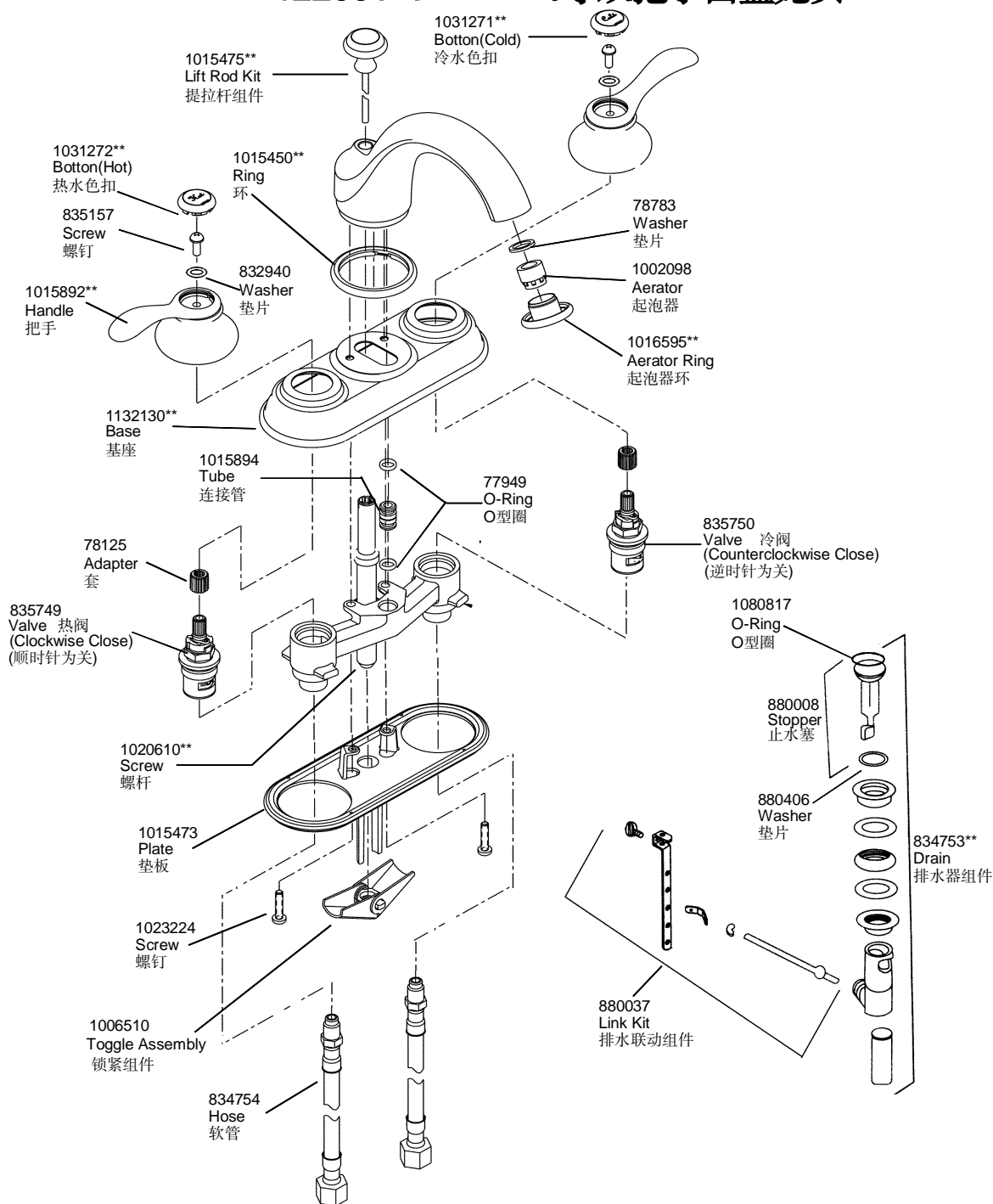
适用于所有加工处理过的表面: 以中性肥皂水清洗镀层表面,再以干净的软布彻底擦干整个表面,许多清洁剂,比如氨水、去污粉及洁厕灵等,会对电镀表面造成伤害,切忌使用。

有腐蚀性的清洁剂或溶剂不可使用于科勒的水龙头及其附件上。

All Finishes: Clean the finish with a mild soap and warm water. Wipe entire surface completely dry with a clean soft cloth. Many cleaners may contain chemicals, such as ammonia, chlorine, toilet cleaner etc. which could adversely affect the finish and are not recommended for cleaning. Do not use abrasive cleaners or solvents on Kohler faucets and fittings.

12266T-4

4寸双把手面盆龙头



**订购时请说明颜色编号

**Color code must be specified when ordering.