



贝卡夫 BANCROFT 温蒂斯 VINTAGE 依洛诗 ELOSIS

安装说明书
INSTALLATION INSTRUCTIONS
镜柜
MIRRORED CABINET
K-3892T/K-3893T/K-15239T

BEFORE YOU BEGIN 安装之前

- Please read these instructions carefully to familiarize yourself with the required tools, materials, and installation sequences. Follow the sections that pertain to your particular installation. This will help you avoid costly mistakes. In addition to proper installation, read all operating and safety instructions.
- All information in these instructions is based upon the latest product information available at the time of publication. Kohler China reserves the right to make changes in product characteristics, packaging, or availability at any time without notice.
- These instructions contain important care, cleaning, and warranty information-**please leave instructions for the consumer.**
- Before installation carefully inspect the new fixture for any signs of damage.
- 请仔细阅读本指引，以便熟悉所需工具、物料及安装程序。请遵照适用的章节来安装本产品，以免安装失当导致不必要的损失。除了有关正确的安装方法之外，还务请阅读所有操作及安全指引。
- 本指引所载之一切资料，均以印刷时所有之最新产品情况为基础，科勒中国保留权利随时更改产品特性、包装或供应情况，恕不另行通知。
- 本指引也包含了有关保养、清洁及担保等重要资料-请交予用户保存。
- 安装之前，仔细检查产品是否有损伤。

ORDERING INFORMATION

This installation covers the following products in the BANCROFT, VINTAGE, ELOSIS mirrored cabinet range:

BANCROFT Mirrored Cabinet 2031BAN.....	K-3892T
VINTAGE Mirrored Cabinet 2030VAS.....	K-3893T
ELOSIS Mirrored Cabinet 3526.....	K-15239T

订购信息

此安装说明书适用于以下贝卡夫、温蒂斯、依洛诗镜柜系列家具的安装：

贝卡夫镜柜2031BAN.....	K-3892T
温蒂斯镜柜2030VAS.....	K-3893T
依洛诗镜柜3526.....	K-15239T

PARTS

Parts supplied with your cabinet. (For cabinet body and door replacement, call customer service with model number.) Be sure to check the cardboard supports in the carton, glass parts are packed in them.

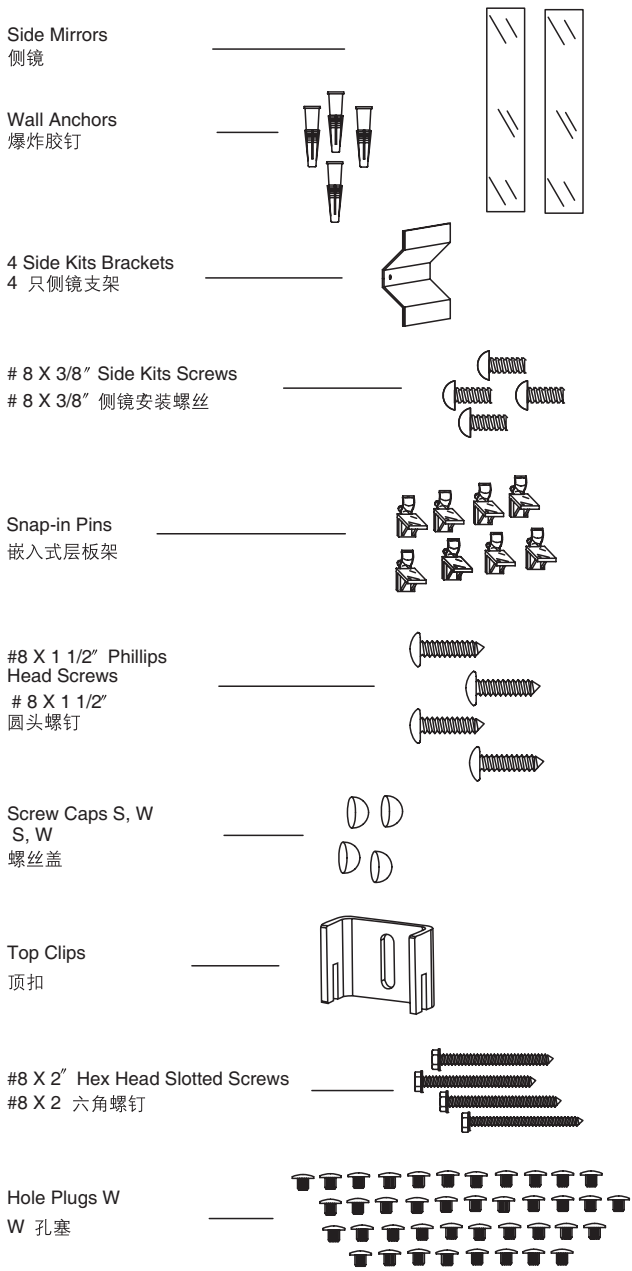
配件

浴柜附有零件(柜身及门的补换请致电客服部门并告知型号),请仔细检查包装箱.

中山科勒卫浴有限公司
广东省中山市中山火炬开发区兴业路13-1号 邮编: 528437

PARTS ON LEFT ARE USED WITH ALL CABINETS.

左边所列零件适用于所有款式的浴柜。



ONE DOOR CABINET-Part list
单门浴柜-零件单

11" Mounting Bar for
K-3892T, K-3893T
280 毫米承托条
K-3892T, K-3893T

2 Glass Shelves
K-3892T, K-3893T
2 只玻璃层板
K-3892T, K-3893T

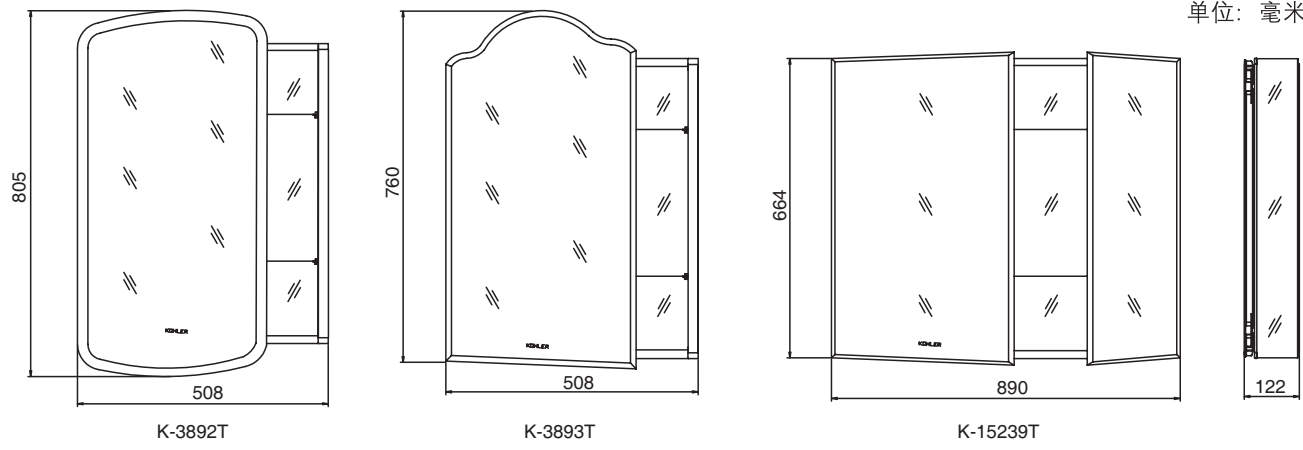
DOUBLE DOOR CABINET-Part list
双门浴柜-零件单

31" Mounting Bar for
K-15239T
787 毫米承托条
K-15239T

2 Glass Shelves
K-15239T
2 只玻璃层板
K-15239T

ROUGHING-IN 尺寸图

UNIT : mm
单位: 毫米



NOTE

- For recess mount see instructions below.
- For surfaces mount instructions see page4.
- A surface mounted cabinet requires the optional Mirror kit supplied with your cabinet.

1. Recessing the cabinet into the wall

A. The vertical installation changes the width of the roughout. Please refer to the picture below.

注意

- 嵌入式安装请见以下说明。
- 挂墙式安装请见说明书第二步开始的说明。
- 挂墙式浴柜需配置侧镜(已随产品附送)。

1. 嵌入式浴柜的安装

A. 安装需不同的墙壁孔架宽度。请参阅下图。

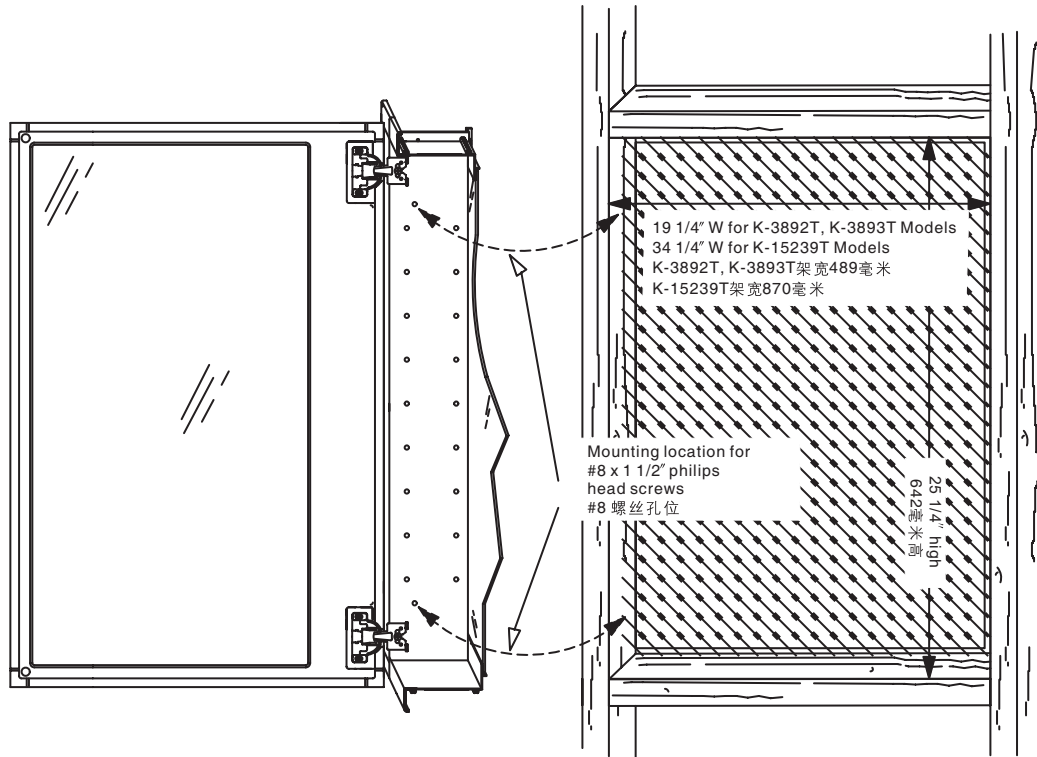


Fig.1 图1

B. Install screws through holes in cabinet as shown in Fig.1

Note: DO NOT OVER- TIGHTEN!
Use #8 x 1 1/2 Phillips head.

B. 按图1所示将螺丝装入浴柜的螺丝孔中。

注意: 不可拧得太过, 以免滑牙!
使用#8圆头螺钉。

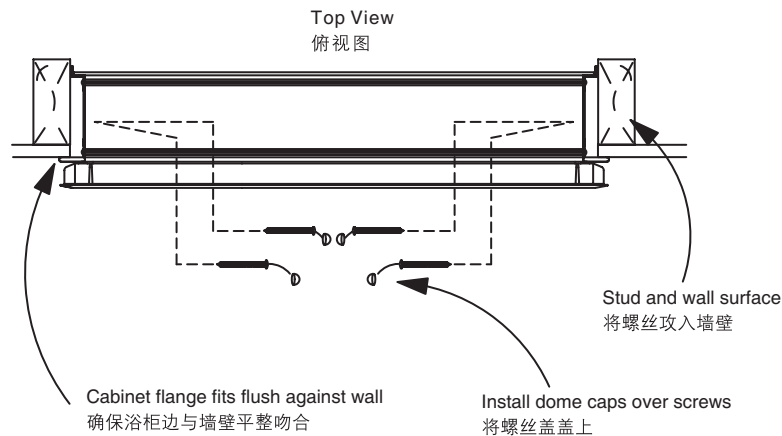


Fig.2 图2

2. Surface mounting the cabinet on a wall.

NOTE:

Installing the cabinet on a wall without the door attached can make installing easier for one person. Do not mount the doors until the boxes is in or on the wall.

A. Install Mounting Bar. (Step one varies on type of cabinet you have, see below.)

1) For Single Door

Drill two 3/16 holes in bottom mounting bar at indent location. Use the supplied anchors or locate studs if possible.

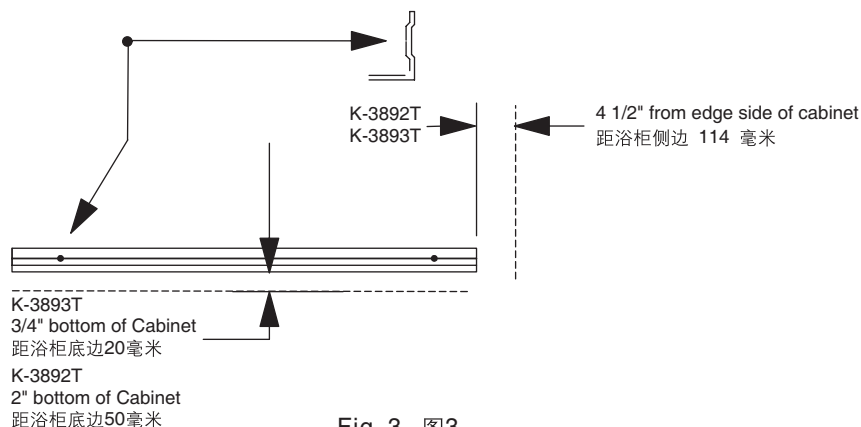


Fig. 3 图3

2) For Double Door

Drill three 3/16 holes in bottom mounting bar at indent location. Use the supplied anchors or locate studs if possible.

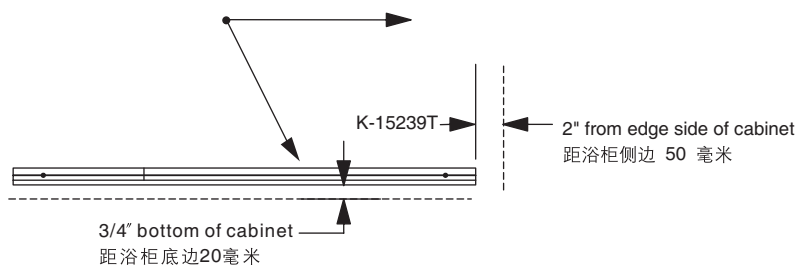


Fig. 4 图4

3) Drill 1/4 hole in wall for mounting bar anchors at locations shown in Fig.3.(If you do not use the anchor, drill a 3/32 pilot hole.) After the holes are drilled, fit the mounting bar of the single door onto wall by referring to Fig.3 and fit the mounting bar of the double door onto wall by referring to Fig.4.

3) 如图3承托条所示位置在墙壁上钻7毫米的孔再上爆炸胶钉(如果您不用爆炸胶钉, 钻2毫米大小的孔。)钻好孔后, 参照图3的尺寸装好单门浴柜承托条, 参照图4的尺寸装好双门浴柜承托条。

2. 挂墙式浴柜的安装

注意:

一人安装时将门卸下来安装柜体会较容易些。装好柜体后再将门装上。

A. 安装浴柜承托条

(此步骤因浴柜种类不同而有不同的安装方法, 详情如下)

1) 单门浴柜承托条的安装

在凹凸处打两个5毫米的孔, 使用所附的爆炸胶钉。

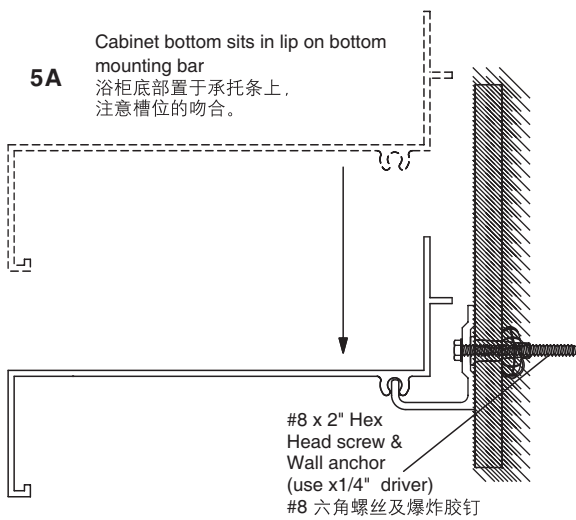
2) 双门浴柜承托条的安装

在凹凸处打三个5毫米的孔, 使用所附的爆炸胶钉。

B. Install Top Clips

(Left and right top clips come connected, hold both clips and snap them apart).

- 1) Fit cabinet into position on mounting bar as shown in Fig.5A.
- 2) Place clip in position as shown in Fig.5B and mark with a pencil. Remove clip and cabinet and drill the pilot or anchor holes where marked.
- 3) Fix both the clips into position with a screw, and slide the clip into the up position. Sit the cabinet on the mounting bar, then lower and tighten the screws into place, as shown in Fig 5C.
- 4) See Fig. 6 on next page for proper turns required for anchor cinching.
- 5) See page 6 for Side Kit Mirror application.



B. 安装顶扣

(左右两粒扣是连在一起的, 使用前请分开)。

- 1) 如图5A所示将浴柜上到承托条上。
- 2) 按图5B所示放好顶扣固定位, 再用铅笔划线。 放开顶扣按划线位置钻孔。
- 3) 如图5C所示, 用螺丝将两粒顶扣固定, 并移到上方位。 将浴柜放于承托条上, 然后放下顶扣,打紧螺丝。
- 4) 按图6要求旋紧螺丝。
- 5) 参照第6页的说明安装侧镜。

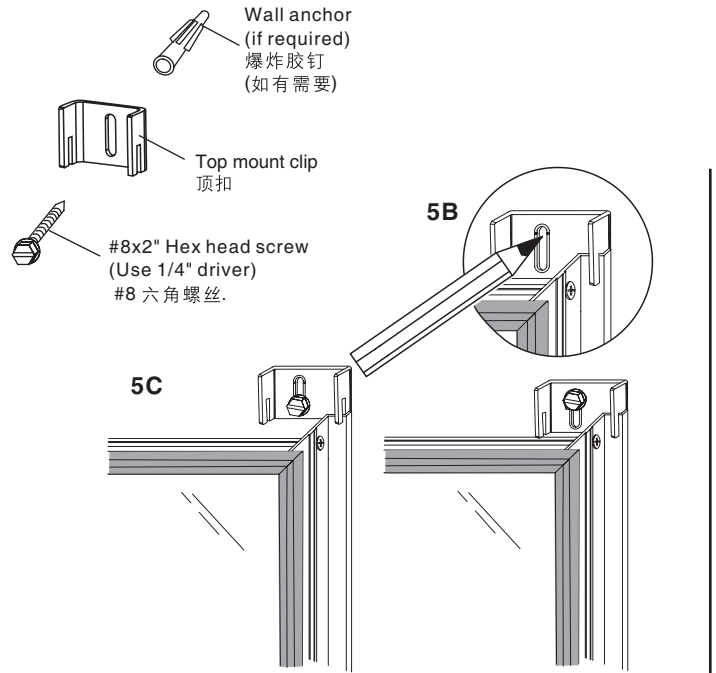


Fig. 5 图5

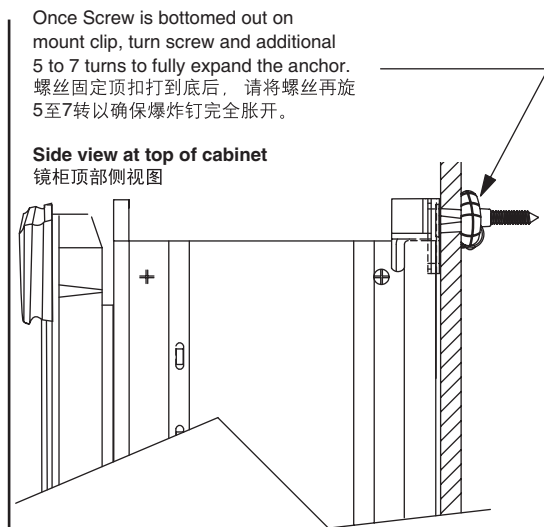


Fig. 6 图6

3. Attaching Side Kits to a Surface Mounted Cabinet

- A. DO NOT PEEL RELEASE LINER UNTIL YOU HAVE TEST FIT THE SIDE KITS ON THE CABINET!
- B. Attach the side kit brackets to the cabinet as shown in Fig.8
- C. Test fit the side kits, then clean the back of the side kits with rubbing alcohol.
- D. Peel the release tape from the brackets and apply the side kits, push firmly to set.
- E. Cover the screw heads with the screw caps.

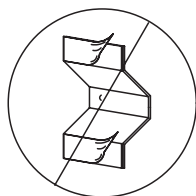


Fig. 7 图7

3. 挂墙式浴柜侧镜的安装

- A. 在确定侧镜与浴柜吻合之前请不要撕开棉纸!
- B. 如图8所示安装侧镜支架。
- C. 试装一下是否吻合, 再用酒精将侧镜背面擦干净。
- D. 撕开支架上的双面胶面纸, 贴上侧镜并按紧。
- E. 用螺丝头盖盖上螺丝头。

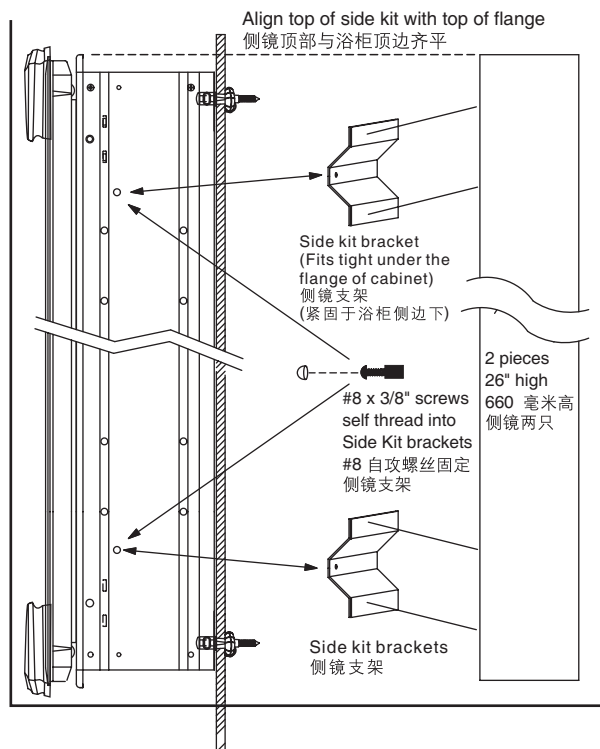


Fig. 8 图8

4. Door adjustments

NOTE: BELOW FOR 1 & 2 DOOR CABINET ONLY*

- A. This screw releases the door from the cabinet and allows up and down adjustment. Fig.10

4. 门的调整

注意: 以下只适用于单门及双门浴柜*

- A. 此螺丝松开可将门卸下, 并可作上下的位置调整, 如图10所示。

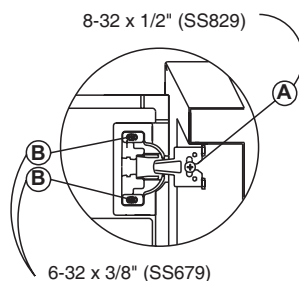


Fig. 9 图9

- B. These screws allow you to plumb the door as shown in Fig.11
- C. The screws you use for attaching the hinges. (Supplied with hinges)

- B. 这些螺丝松开可将门作如图11所示的左右的位置调整。
- C. 安装门铰所用的螺丝。(随门铰附送)

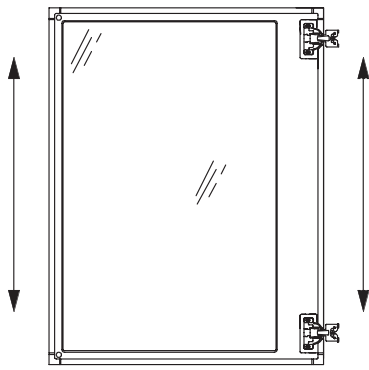


Fig. 10 图10

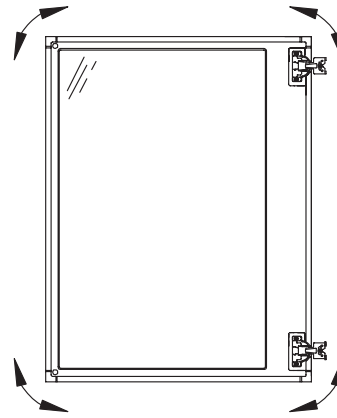


Fig. 11 图11

5. Installing the shelves- see Fig.13

A. Push/twist the pins into place

- 1) Push one side of the shelf into the left or right clips
- 2) Snap the shelf down into the opposite side. If the shelf is too tight, repeat the process from the other side.

B. Fill the remaining holes with the plugs.

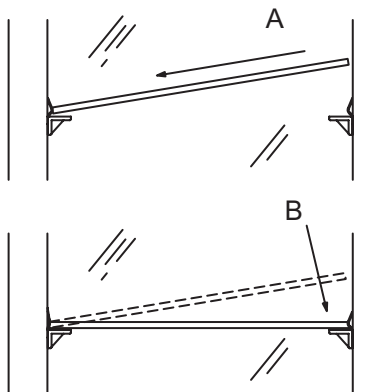


Fig. 12 图12

5. 安装玻璃层板-见图13

A. 装层板支架

- 1) 将层板玻璃任一端放于架子上。
- 2) 将玻璃层板的另一端压下。如玻璃层板太紧，改从另一端开始再来一次。

B. 其他多余的孔位用孔塞塞好。

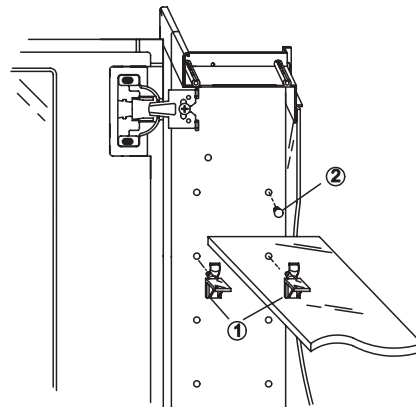


Fig. 13 图13

USER MAINTENANCE

日常维护



Warn! Risk of product damage.

1. Many cleansers contain abrasive and chemical substance which is not suitable for cleaning stainless steel, enamel, plating or plastic products. You may use mild cleansers or soaps to clean the surfaces. Wipe any splashes of cleaner solutions from the surface with clean soft cloth.
2. Maintain ventilation in the bathroom, and separate the dry area from the damp one if conditions permit. Try to open the door and windows of the bathroom and maintain good ventilation.
3. Kohler mirror cabinet are dealt with strict procedures for damp-proof, whose good damp-proof function ensures good performance even in bathroom of huge humidity. Yet do not splash and pour water directly on the mirror cabinet. Make sure that the bathroom is not over damp and wipe any splashes from surfaces immediately.
4. Maintenance of door board: Clean and wipe door board regularly, and wipe the condensation vapor with dry and soft cloth.
5. The mirror cabinet door and interior are constructed of mirror and aluminum. Use only a damp cloth to clean. Spray the cloth, not the mirror when cleaning. Mirrors are damaged by the use of ammonia or vinegar based cleaners. Rubbing alcohol can be used for stubborn stains..
6. Use no abrasive cleansers on any part of the mirror cabinet.
7. The white frame should be cleaned with a damp cloth only.



警告！小心产品受损。

1. 许多清洁剂都含有研磨剂及化学物质，不可用于清洁不锈钢、搪瓷、镀层或塑料制品。这些表面须使用温和的清洁剂或皂液进行清洁，将残余洗涤剂洗干净，然后用干净的软布擦干。
2. 卫生间请保持良好的通风状态，有条件的可以干、湿分离，平常尽量保持浴室空气畅通，养成开窗开门的习惯。
3. 科勒镜柜都经过严格的防潮处理，但防潮并不是防水，使用时不可随意任镜柜被水浇、溅。良好的防潮性能可以保证在高相对湿度时仍有良好使用性，所以请避免卫生间过于潮湿，遇有水迹要及时擦干。
4. 门板的保养：经常用软布定期清洁、擦拭，洗浴后的冷凝水蒸气应用干布擦净，保持门板的干爽。
5. 镜柜是由玻璃镜和拉铝制造出来的。只能用潮布清洁。清洁时请将水喷在布上，而不是玻璃镜上，含氨或酸的清洁剂会损坏玻璃镜，一些顽渍可用酒精擦除。
6. 千万不要磨沙型清洁剂擦拭镜柜的任何地方。
7. 白色框架的镜柜只可用潮布擦拭清洁。