

BEFORE YOU BEGIN

安装之前

- All information is based on the latest product information available at the time of publication. Kohler China Ltd. reserves the right to make changes in product characteristics, packaging, or availability at any time without notice.
- These instructions contain important care, cleaning, and warranty information-**please leave these instructions for the consumer.**
- Make sure that the bath and the finished wall material are completely and correctly installed prior to installing your shower door. Prepare waterproof layer to wall and floor of the showering area. It is not allowed for any presence of electric switches and sockets. Make sure the floor drain runs smoothly.
- Before starting the door installation, lay out and identify all the parts. Use the exploded view illustrated on page 2 for reference.
- For the installation method of customized shower with different dimensions, please refer to this instructions.
- The product complies with QB 2584-2007.

⚠ CAUTION: Risk of injury or product damage.
Tempered glass cannot be cut, drilled or knocked by hard object. Make sure corner area of the glass refraining from knocking so as to cause personal injury due to broken glass.

ATTENTION: Please install this door on Kohler receptors or curbs(Not included). If the curb is not Kohler-branded, please note its top width should be more than 80mm.

IMPORTANT: The shower door requires a flat vertical finished wall. The squareness of the wall is recommended no more than 3 mm/m. KOHLER Company won't take responsibility of the installation quality.

- 说明书中所有的资料是按最新出版的产品资料编写而成。科勒中国有限公司保留任何时候无须通知即可改变产品特性、包装或产品可供类型的权利。
- 说明书包括重要的安装、清洁及保养方面的内容，**请把这些资料交给用户阅读，保管。**
- 确保在安装淋浴房之前已经完整正确地安装了浴室和完工墙面材料。淋浴区墙地面应做防水处理，并不得布置有电器开关、插座。确保地面排水通畅。
- 在进行淋浴房安装之前，请拿出、排列并确认所有的零部件。请参考第 2 页上所示的分解图。
- 对尺寸与本标准产品不同的定制淋浴房，参照本说明书进行安装。
- 本产品符合 QB 2584-2007。

⚠ 警告：可能有人员伤害或者产品损坏的危险。
钢化玻璃不能进行切割，钻孔或硬物敲击。搬移或安装过程中，小心确保玻璃边、角部位不受撞击，以防爆裂伤人。

建议：将本产品安装在科勒淋浴盆或挡水条上（需另行购买）。如自备挡水条，建议顶面宽度尺寸大于 80mm。

重要事项：淋浴房需要安装在平坦垂直的墙面上。墙面的垂直度推荐在正负 3mm/m 以内。如果超出此范围，科勒公司将不保证淋浴房的完美使用。

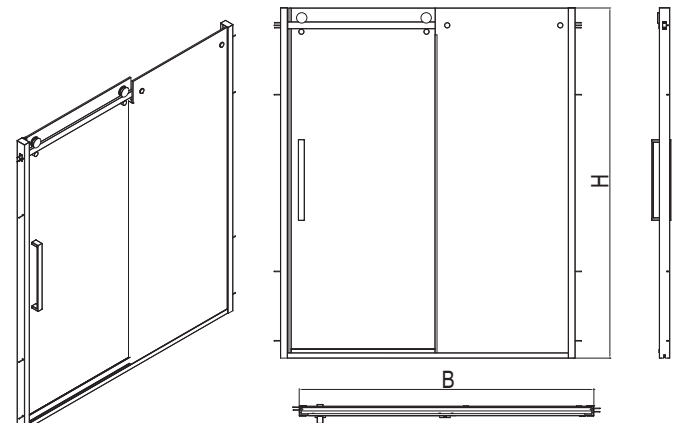
Do not use the enclosure for at least 24 hours.
安装后 24 小时内请勿使用淋浴房。



ROUGHING-IN

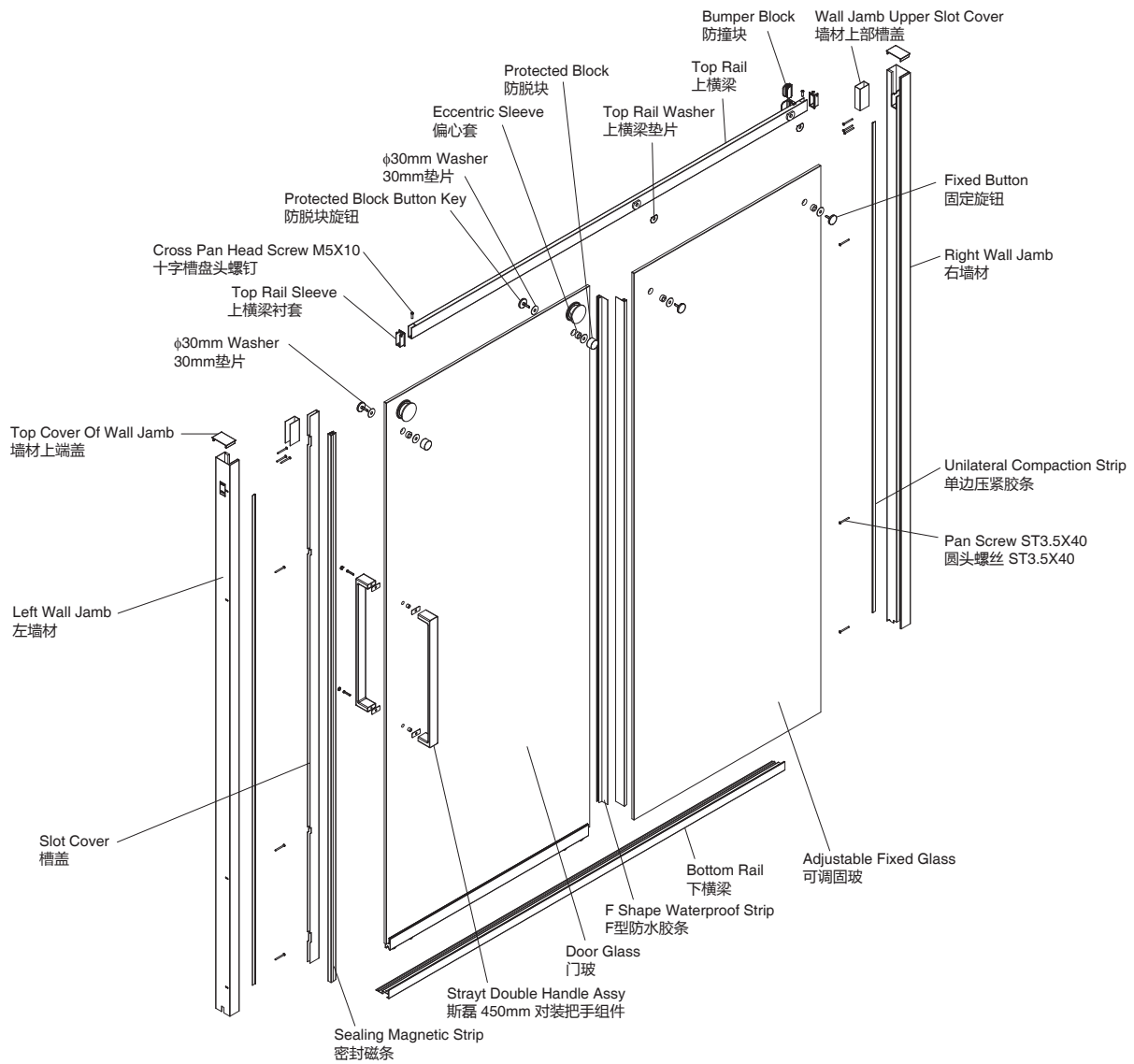
尺寸图

Unit: mm
单位：毫米



SKU	B	H
K-22182T	1200-1700	2020
K-22185T		

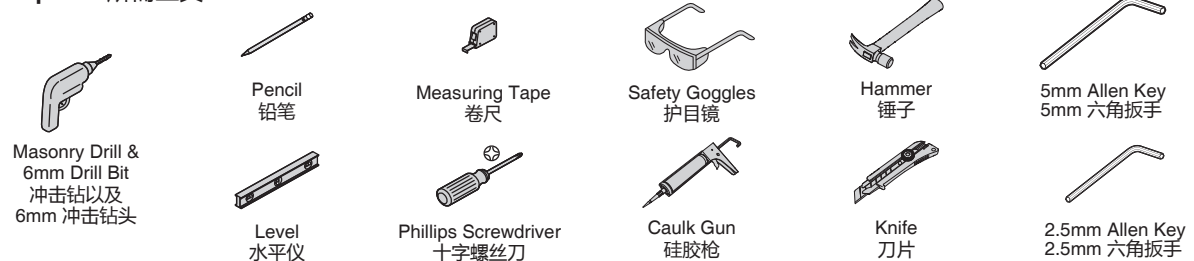
ZHONGSHAN KOHLER SHOWER CO., LTD. NO13-1, XINGYE ROAD, ZHONGSHAN TORCH DEVELOPMENT ZONE, ZHONGSHAN, GUANGDONG, CHINA POST CODE: 528437
中山科勒卫浴有限公司 广东省中山市中山火炬开发区兴业路 13-1 号 邮编：528437



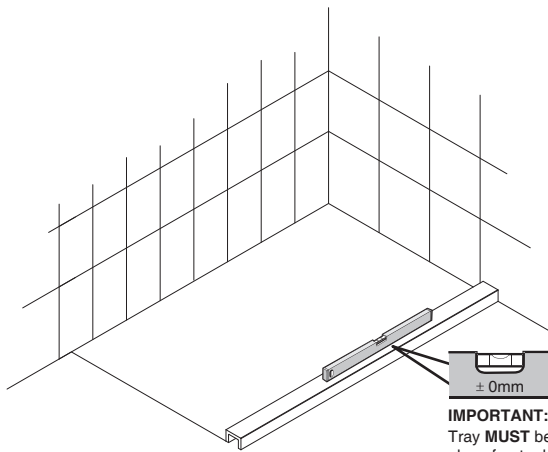
	X1	Left Wall Jamb 左墙材
	X1	Right Wall Jamb 右墙材
	X1	Top Rail 上横梁
	X1	Bottom Rail 下横梁
	X2	Top Rail Washer 上横梁垫片
	X4	Eccentric Sleeve 偏心套
	X6	φ30mm Washer 30mm垫片
	X4	Fixed Button 固定旋钮
	X2	Protected Block 防脱块
	X2	Protected Block Button Key 防脱块旋钮

	X2	Top Cover Of Wall Jamb 墙材上端盖
	X2	Top Rail Sleeve 上横梁衬套
	X2	Wall Jamb Upper Slot Cover 墙材上部槽盖
	X1	Bumper Block 防撞块
	X2	Unilateral Compaction Strip 单边压紧胶条
	X2	F Shape Waterproof Strip 单边压紧胶条
	X2	Cross Pan Head Screw M5X10 十字槽盘头螺钉
	X1	Strayt Double Handle Assy 斯磊 450mm 对装把手
	X1	Slot Cover 槽盖
	X1	Sealing Magnetic Strip 密封磁条
	X12	Hollow Wall Anchor, Nylon 膨胀套
	X12	Pan Screw ST3.5X40 圆头螺丝 ST3.5X40
	X1	Screw Key 2.5mm 内六角扳手

Tools Required/所需工具



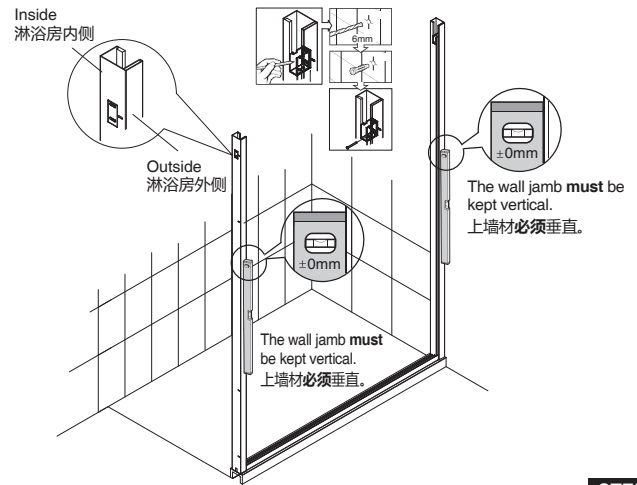
Mark the wall 10mm in from the front edge of the tray.
从挡水台边缘向内偏10mm。



IMPORTANT:
Tray **MUST** be level
along front edge.
重要：
底盘**必须**水平。

STEP
1

Place bottom rail on curb and refer to the Figure below to install left / right wall jambs. (see enlarged view)
将下横梁放在挡水条上，参考下图将左右两侧墙材安装好。（见放大图）



STEP
2

1. Insert top rail sleeves onto both ends of top rail; then install top rail into left / right wall jambs (place the door glass inside shower door first, thus making it convenient to install it from behind later).
2. Fasten left / right ends of top rail and left / right wall jambs with screws.
3. Install bumper block into bumper holder.

1. 将上横梁衬套装入上横梁两端；然后将上横梁装入左右墙材（先将门玻放入淋浴房内，便于后面安装门玻）。
2. 用螺钉将上横梁左右两端与左右墙材固定。
3. 将防撞块装入防撞块座中。

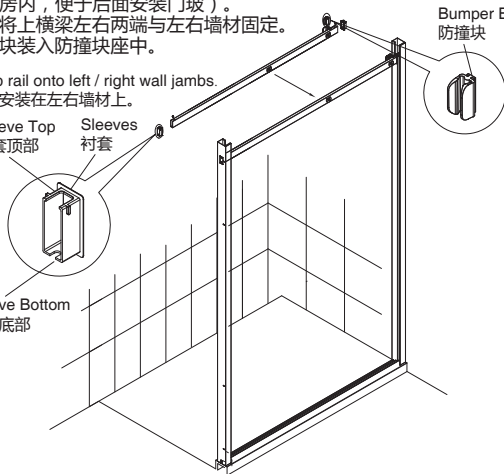
Install top rail onto left / right wall jambs
将上横梁安装在左右墙材上。

Sleeve Top
衬套顶部

Sleeves
衬套

Sleeve Bottom
衬套底部

Bumper Block
防撞块

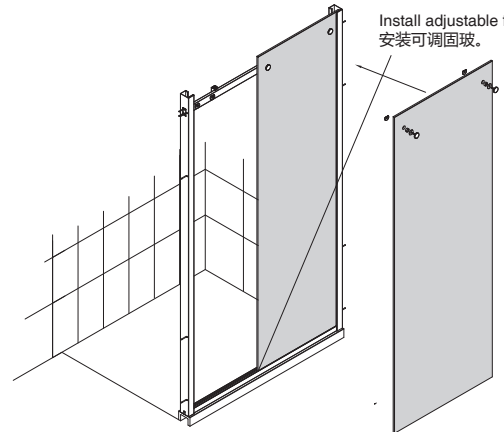


STEP
3

1. Insert adjustable fixed glass into jamb with upper glass holes aligned with pads on top rail.
2. Install unilateral strip.
3. Insert eccentric sleeves into glass holes with sleeve bore upward. Fix adjustable fixed glass and top rail with fixed button.

1. 将可调固玻插入墙材，玻璃上孔位与上横梁垫块对齐。
2. 安装单边胶条。
3. 将偏心套放入玻璃孔，且偏心套孔朝上。用旋钮将可调固玻与上横梁固定。

Install adjustable fixed glass.
安装可调固玻。



STEP
4

1. Insert small trim strips of slot cover into top slots on left / right jambs.
2. Install top trim covers on left / right jambs.
3. Install door glass: first snap bottom roller into guide way of bottom rail, then hang top roller on top rail.
4. Install side magnetic strip of door glass.

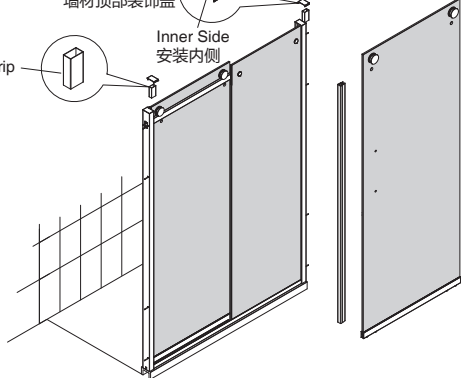
1. 将小槽盖装饰条插入左右墙材顶部槽。
2. 安装左右墙材顶部装饰盖。
3. 安装门玻，先将门玻下轮卡入下横梁导向槽，再将上轮挂在上横梁上。
4. 安装门玻侧边磁条。

Trim Cover
墙材顶部装饰盖

Outer Side
安装外侧

Inner Side
安装内侧

Small Trim Strip
小装饰盖条



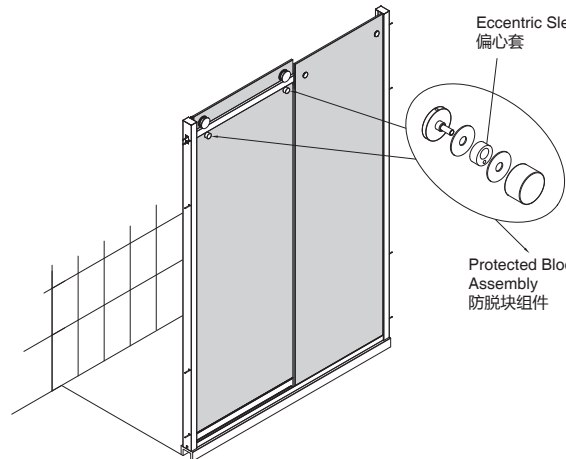
STEP
5

Install protected block assembly onto door glass (first place eccentric sleeve into glass hole and adjust sleeve bore upward (visual check: 1-2 mm spacing between protected block assembly and top rail), then follow below assembly procedure to fasten protected block assembly.)

安装门玻防脱块组件（先将偏心套放入门玻孔内，孔朝上调整好位置（用目测方法：防脱块与上横梁保留 1-2mm 距离），然后按下面的组装方式，锁紧防脱块。）

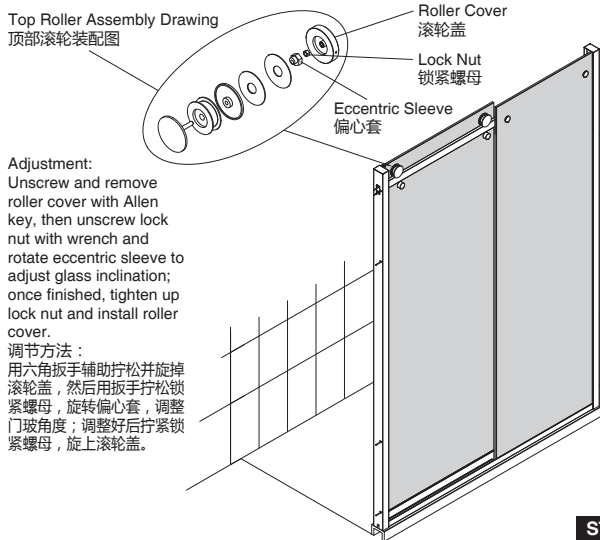
Eccentric Sleeve
偏心套

Protected Block
Assembly
防脱块组件



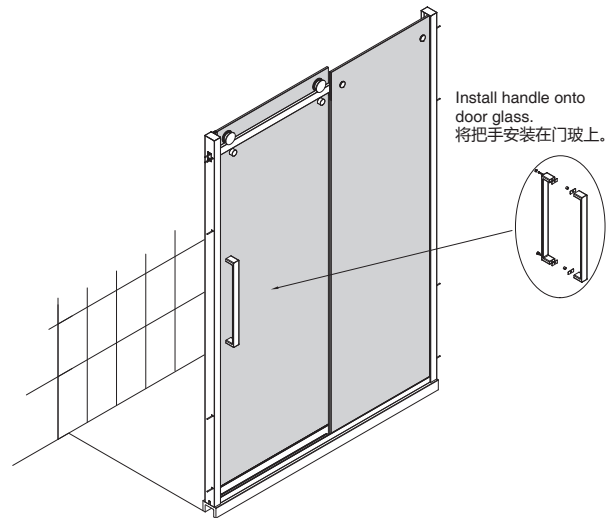
STEP
6

If door glass tilts, adjust top roller eccentric sleeve to optimize inclination.
如果门玻出现倾斜，调节门玻顶部滚轮偏心套，来调整门玻角度。



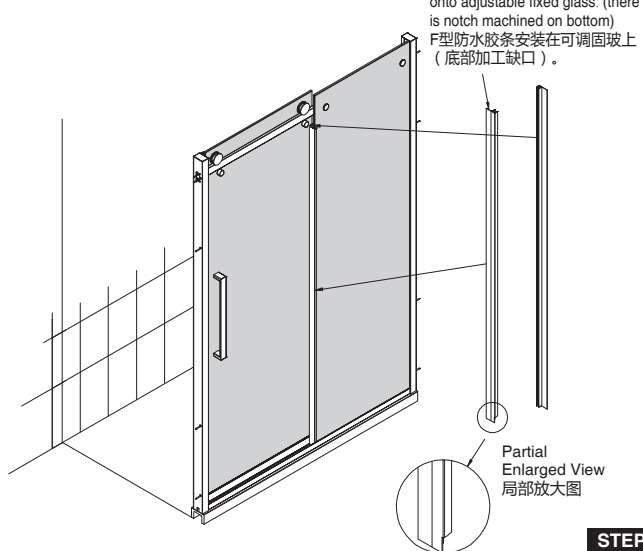
STEP
7

Install handle assy onto door glass.
将把手组件安装在门玻上。



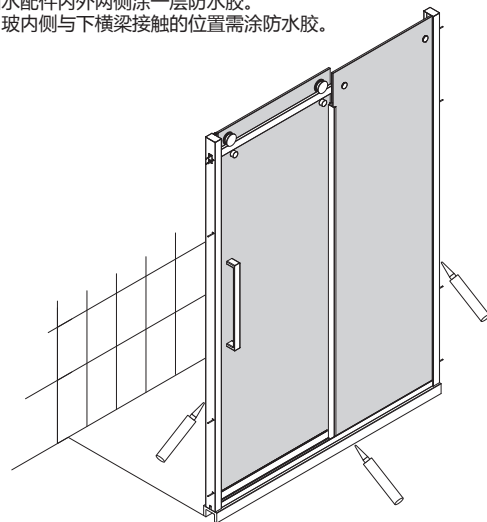
STEP
8

Insert curbs onto door glass and adjustable fixed glass.
安装门玻和可调固定玻上的挡水条。



STEP
9

1. Apply silicone sealant to both sides of the bottom threshold.
 2. There should be waterproof silicone sealant applied onto the position where the inside of the fixed glass comes into contact with the bottom rail.
1. 挡水配件内外两侧涂一层防水胶。
2. 固定玻内侧与下横梁接触的位置需涂防水胶。



STEP
10