

BEFORE YOU BEGIN

- Please read these instructions carefully to familiarize yourself with the required tools, materials, and installation sequences. Follow the sections that pertain to your particular installation. This will help you avoid costly mistakes. In addition to proper installation, read all operating and safety instructions
- All information is based on the latest product information available at the time of publication. Kohler China Ltd. reserves the right to make changes in product characteristics, packaging, or availability at any time without notice.

安装之前

- 请仔细阅读此说明书以熟悉所需要的工具、材料及安装顺序。遵循适合您的特定安装要求的各项内容，避免昂贵的损失。除了要正确安装外，还应阅读操作及安全说明。
- 所有的资料是按最新出版的产品资料编写而成。科勒中国有限公司保留任何时候无须通知即可改变产品特性、包装或产品可供类型的权利。

NOTES

- Observe all local plumbing and plumbing codes.
- Inspect waste and supply tubing; replace if necessary.
- The drain has removable parts.
- Drain "T" is reversible for vertical or horizontal drainage.

注意事项

- 遵守所有本地的水管安装及施工规程。
- 检查污水及供水管道。如有必要，即予更换。
- 下水装置具有可拆卸式零件。
- “T”型下水可用于垂直或水平式排水。

Tools Required

- Assorted screwdrivers
- Adjustable or open end wrench
- Pipe wrenches
- Pliers
- Manual hacksaw
- Long flat nose pliers

所需工具

- 各种类型的螺丝刀
- 活络扳手或开口扳手
- 管子钳
- 老虎钳
- 手动钢锯
- 尖嘴钳

ROUGHING-IN

尺寸图

Reference Value
参考值

UNIT: mm
单位: 毫米

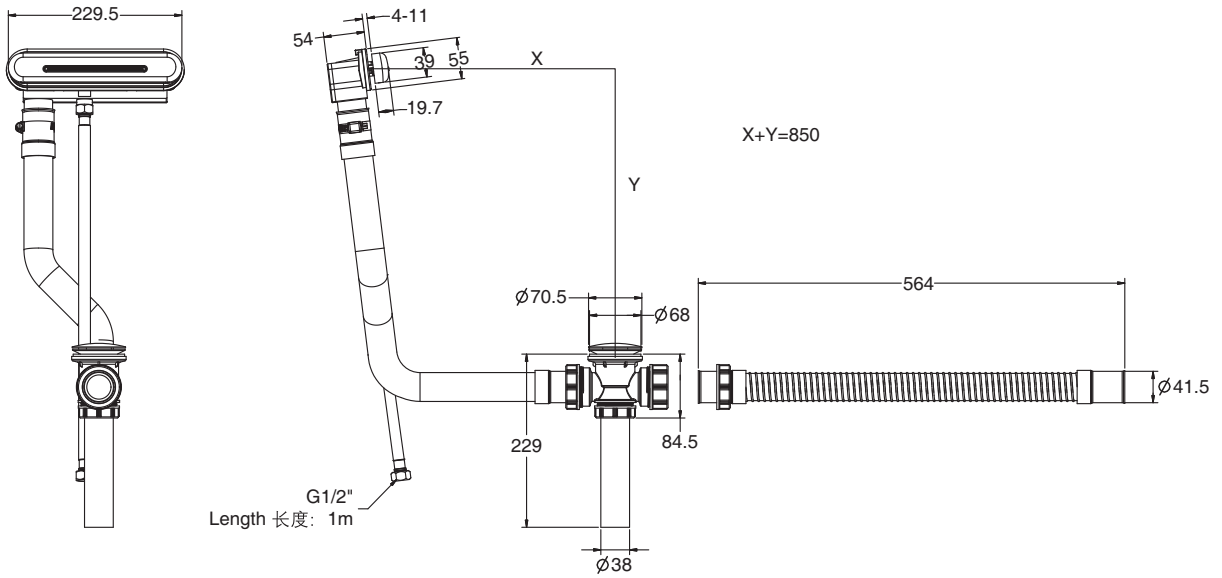


Fig.#1
图1

Kohler reserves the right to change marked dimensions without prior notice.
科勒公司保留随时变更图中标示尺寸的权利，无需另行通知。

INSTALLATION PREPARATIONS

安装准备

Un-Assemble the spout kit from the overflow base.

从溢水座上将出水嘴拆下。

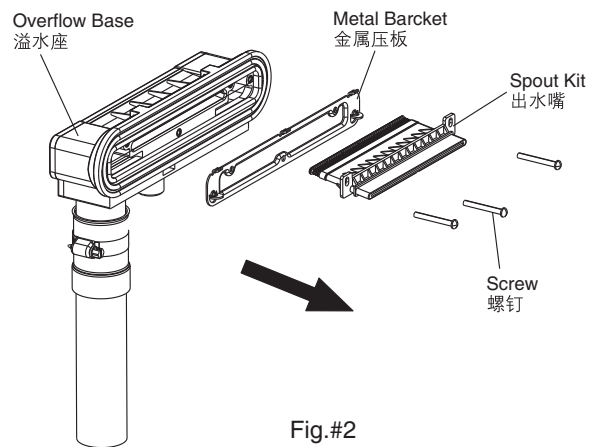


Fig.#2
图2

Fasten the hose to the water inlet of the overflow base.

连接进水管到溢水座进水口。

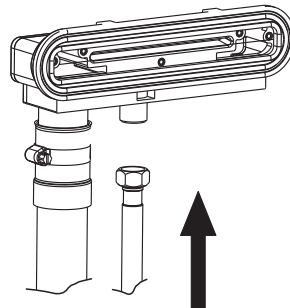


Fig.#3
图3

Assemble the overflow pipe, drain base and drain pipe together.

连接溢水管、排水座和排水管。

For vertical drainage installations: Assemble parts as shown. Align the parts with the drain base. Align and tighten the nuts.

垂直排水方式的安装：如图所示安装各零件。将各部位对准排水座四通，将管子插进四通，并拧紧螺母。

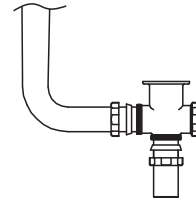


Fig.#4
图4

For horizontal drainage installations: Assemble parts as shown. Align the parts with the drain base. Align and tighten the nut.

水平排水方式的安装：如图所示安装各零件。将各部位对准排水座四通，将管子插进四通，并拧紧螺母。

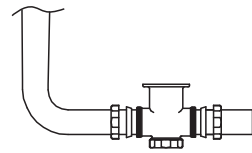


Fig.#5
图5

INSTALLATION

安装

Insert strainer into the gasket, position plain gasket between the drain base and the bottom of the bath. Turn the strainer into the drain base.

将碗形垫圈套在水漏上，同时将平垫圈放在排水座与浴缸底部之间。将水漏拧入排水座内。

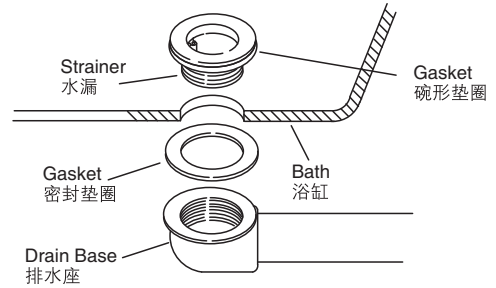


Fig.#6
图6

Wrap the plier head with adhesive tape and then insert it into the bottom of the strainer to tighten the drain base securely, as shown. Make sure the drain base tube is facing the front of the bath. Then apply silicone sealant around the drain base.

将钳子的尖部缠上胶带，插入水漏的底部，拧紧排水座，如图所示。确保排水座管正对着浴缸的前端。然后在排水座外围四周打上密封硅胶。

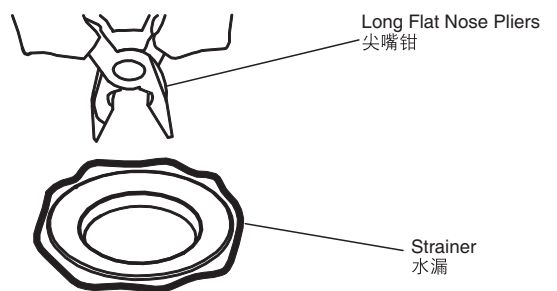


Fig.#7
图7

Attach the gasket to the overflow base, as shown. Apply silicon sealant.

将密封垫圈套在溢水座上，如图所示。并打上硅胶。

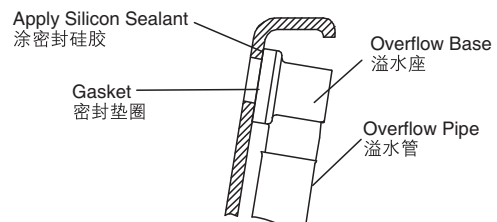


Fig.#8
图8

Assemble the metal bracket and plastic spout kit back to the overflow base from inside of bath tub as shown.

从浴缸内侧，用图示螺钉将金属压板及塑料出水嘴装回到溢水座上。

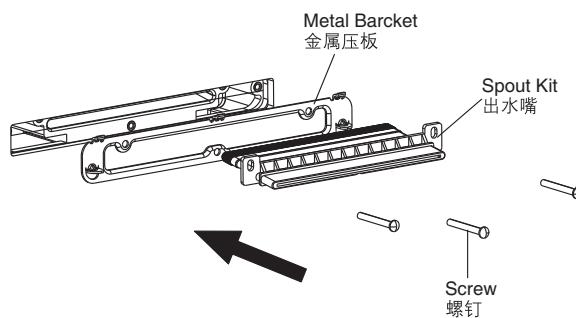


Fig.#9
图9

Attach the Overflow Cover, then fasten the screw.

将溢水盖挂到金属压板上，然后拧紧下面的2个螺丝。

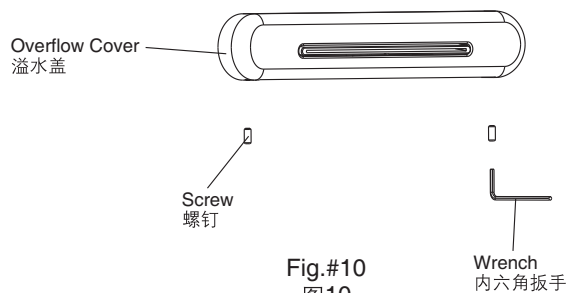


Fig.#10
图10

Fasten the plug assy. on the strainer.

将堵头组件旋到水漏里。

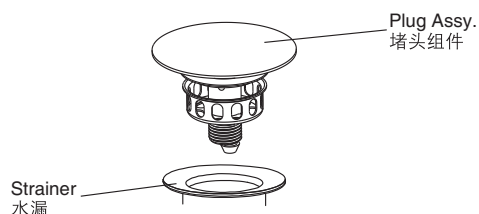
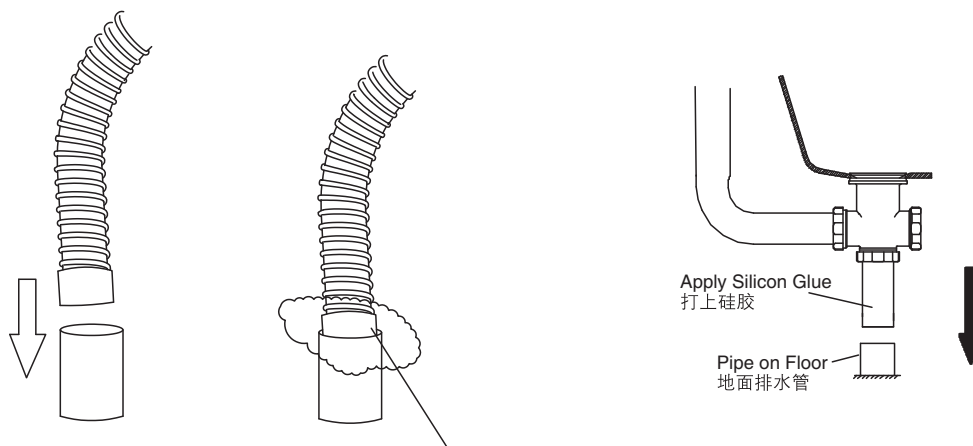


Fig.#11
图11

Insert the drain pipe into the outlet pipe of the room.

将排水管插入房间排水管内。



Apply silicone sealant at the joint of pipes to avoid the humidity come out.
在软管同排水管结合处涂满硅胶，以避免管道内潮气通过此处外逸。

Fig.#12
图12

Fasten the hose to the water outlet of the faucet

连接进水管另一端到龙头出水口

Option1: Fasten the hose to the water outlet of the faucet 72681T-ZX-CP

方案1: 连接进水管到科勒艾丽维 72681T-ZX-CP龙头

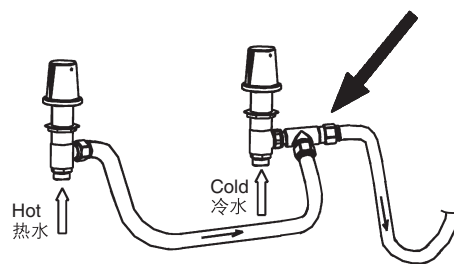


Fig.#13
图13

Option2: Fasten the hose to the water outlet of the faucet 72681T-ZY-CP

方案2: 连接进水管到科勒艾丽维 72681T-ZY-CP龙头

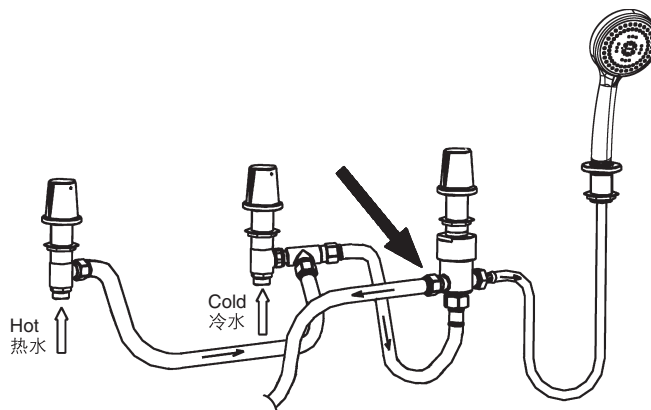


Fig.#14
图14

Option3: Fasten the hose to the water outlet of the faucet 14675T-ZS-CP

方案3: 连接进水管到科勒萝瑞 14675T-ZS-CP龙头

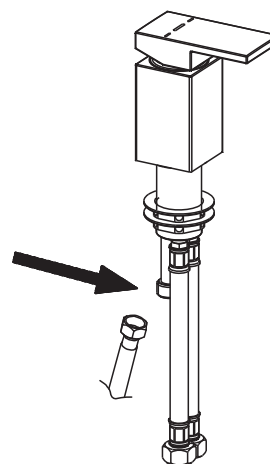


Fig.#15
图15

Option4: Fasten the hose to the water outlet of the faucet according to the user guide of the faucet.

方案4: 如安装其他龙头, 请将进水管接到龙头的出水口, 参见龙头说明书。

CARE AND CLEANING

For best results, keep the following in mind when caring for your KOHLER product:

- Use a mild detergent such as liquid dishwashing soap and warm water for cleaning. Do not use abrasive cleaners that may scratch or dull the surface.
- Carefully read the cleaner product label to ensure the cleaner is safe for use on the material.
- Always test your cleaning solution on an inconspicuous area before applying to the entire surface.
- Do not allow cleaners to sit or soak on the surface.
- Wipe surfaces clean and rinse completely with water immediately after cleaner application. Rinse and dry any overspray that lands on nearby surfaces.
- Use a soft, dampened sponge or cloth. Never use an abrasive material such as a brush or scouring pad to clean surfaces.

护理和清洁

为了长久使用，请在护理您的科勒产品时注意以下几点：

- 使用中性清洁剂，例如液体洗洁精和温水进行清洗。请不要使用研磨清洁剂，以免刮划或使表面变钝。
- 请仔细阅读清洁剂说明以确认其更够在产品上安全使用。
- 在大面积使用清洁剂之前，请务必先在不显眼处先试验清洁方式。
- 请不要将产品表面浸泡在清洁剂中。
- 使用清洁剂后，请立即擦拭并用水彻底清洗。清洗并擦干溢溅在周围表面的清洁剂。
- 使用柔软湿润的海面或清洁布，请勿使用研磨材质，例如刷子和百洁布来清洁表面。