

BEFORE YOU BEGIN

安装之前

- Before you install your shower door, please read these instructions carefully to familiarize yourself with the required tools, materials, and installation sequences. Follow the sections that pertain to your particular installation. This will help you avoid costly mistakes. In addition to proper installation, read all operating and safety instructions.
- All information is based on the latest product information available at the time of publication. Kohler China Ltd. reserves the right to make changes in product characteristics, packaging, or availability at any time without notice.
- These instructions contain important care, cleaning, and warranty information-**please leave these instructions for the consumer.**
- Make sure that the bath and the finished wall material are completely and correctly installed prior to installing your shower door. Prepare waterproof layer to wall and floor of the showering area. It is not allowed for any presence of electric switches and sockets. Make sure the floor drain runs smoothly.
- Before starting the door installation, lay out and identify all the parts. Use the exploded view illustrated on page 2 for reference.
- For the installation method of customized shower with different dimensions, please refer to this instructions.

⚠ CAUTION: Risk of injury or product damage.
Tempered glass cannot be cut, drilled or knocked by hard object. Make sure corner area of the glass refraining from knocking so as to cause personal injury due to broken glass.

ATTENTION: Please install this door on Kohler receptors or curbs (Not included). If the curb is not Kohler-branded, please note its top width should fall above 80mm.

IMPORTANT: The shower door requires a flat vertical finished wall. The squareness of the wall is recommended no more than 3 mm/m. KOHLER Company won't take responsibility of the installation quality.

- 在您安装淋浴房之前, 请您仔细阅读此说明书以熟悉所需要的工具、材料及安装顺序。遵循适合您的特定安装要求的各项内容, 避免昂贵的损失。除了要正确安装外, 还应阅读所有的操作及安全说明。
- 说明书中所有的资料是按最新出版的产品资料编写而成。科勒中国有限公司保留任何时候无须通知即可改变产品特性、包装或产品可供类型的权利。
- 说明书包括重要的安装、清洁及保养方面的内容, 请把这些资料交给用户阅读, 保管。
- 确保在安装淋浴房之前已经完整正确地安装了浴室和完工墙面材料。淋浴区墙地面应做防水处理, 并不得布置有电器开关、插座。确保地面排水通畅。
- 在进行淋浴房安装之前, 请拿出、排列并确认所有的零部件。请参考第2页上所示的分解图。
- 对尺寸与本标准产品不同的定制淋浴房, 参照本说明书进行安装。

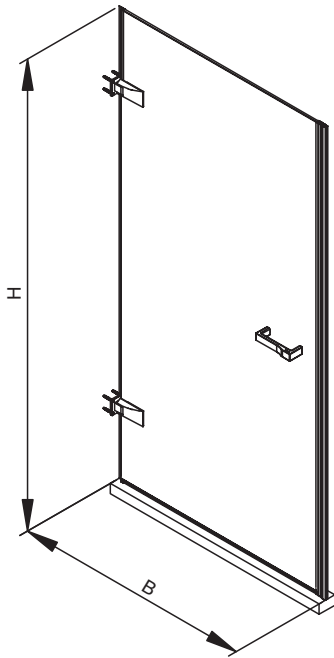
⚠ 警告: 可能有人员伤害或者产品损坏的危险。钢化玻璃不能进行切割, 钻孔或硬物敲击。搬移或安装过程中, 小心确保玻璃边、角部位不受撞击, 以防爆裂伤人。

建议: 将本产品安装在科勒淋浴盆或挡水条上(需另行购买)。如自备挡水条, 建议顶面宽度尺寸为80mm以上。

重要事项: 淋浴房需要安装在平坦垂直的墙面上。墙面的垂直度推荐在正负3mm/m以内。如果超出此范围, 科勒公司将不保证淋浴房的完美使用。

ROUGHING-IN

尺寸图



Unit: mm
单位: 毫米

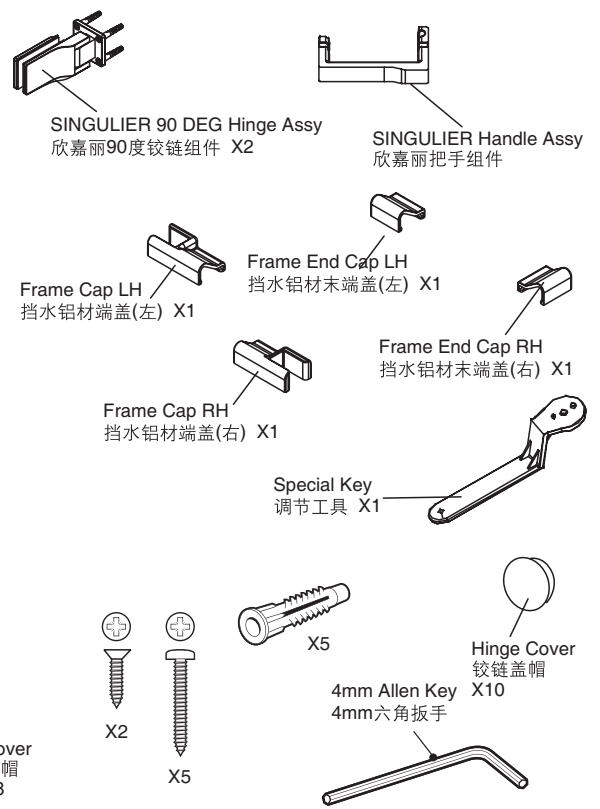
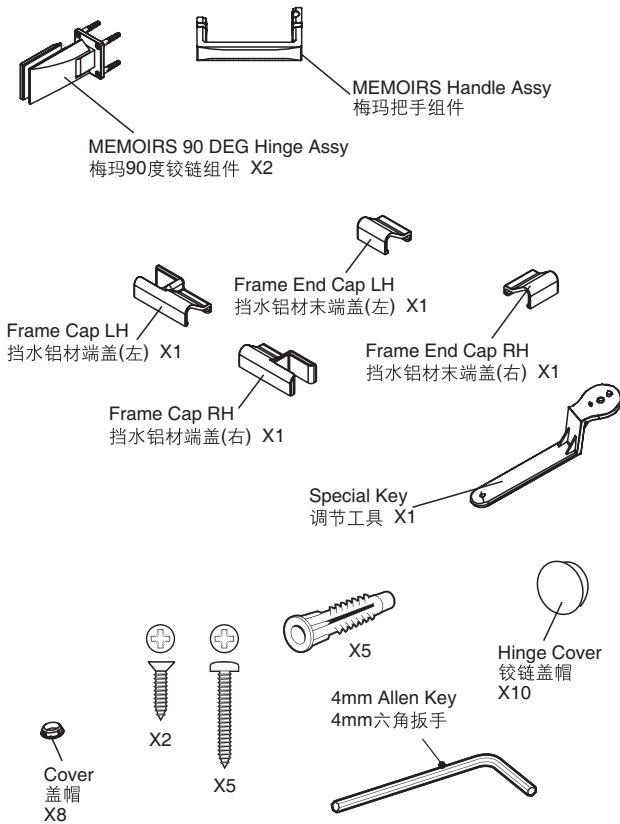
SKU	B	H
K-36935T	550-700	1850-2000
K-36949T		
K-36942T		
K-36956T		

PARTS IDENTIFICATION

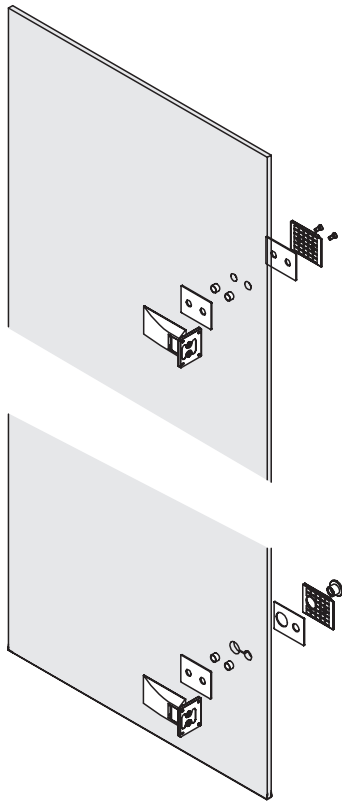
零件识别

K-36935T/K-36949T

K-36942T/K-36956T

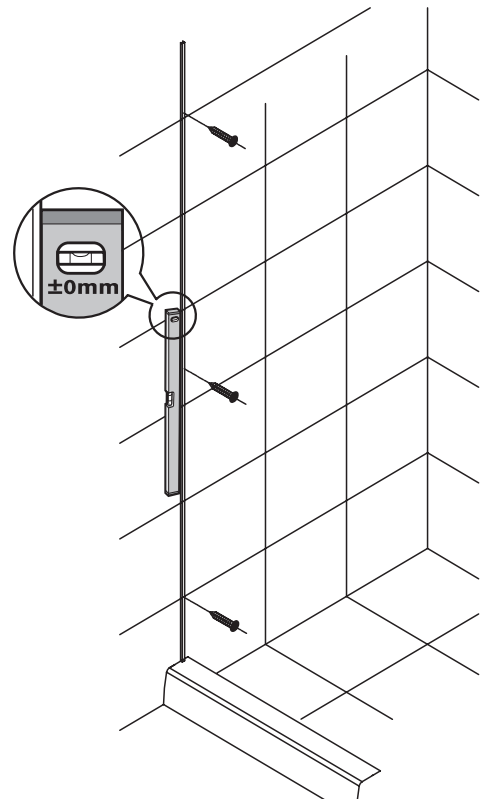


Affix the top and bottom hinges to the door glass.
将上下铰链分别装到门玻璃上。



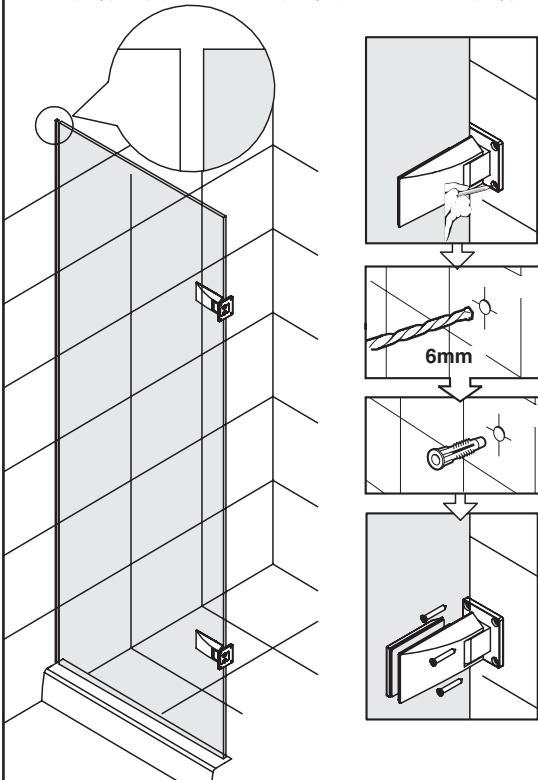
STEP 1

Fix the side jamb to the wall.
将边立柱固定到墙上。



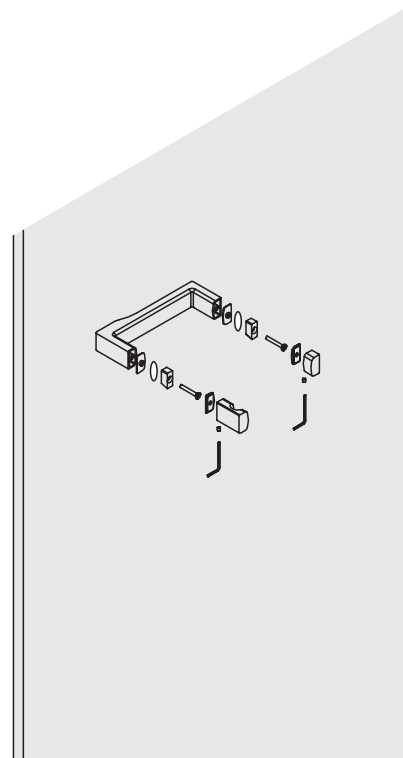
STEP 2

Block up the door glass, line with the glass, then fix the door glass.
将门玻璃垫高，与边立柱平齐，固定门玻璃。



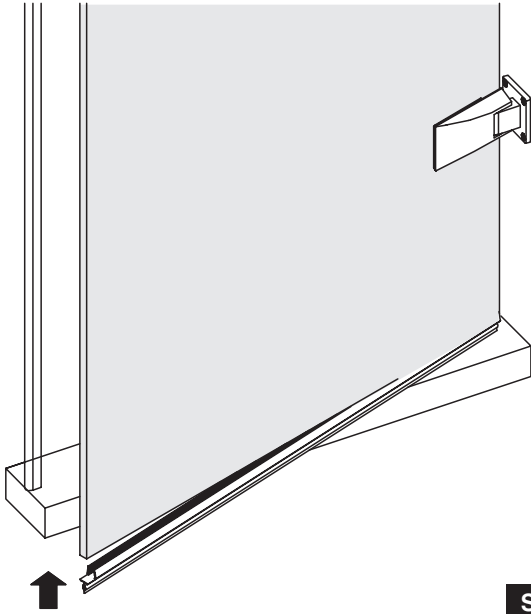
STEP 3

Fix the handle.
安装把手。



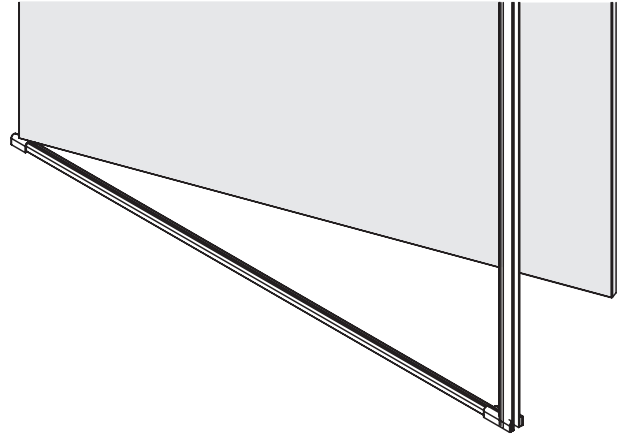
STEP 4

Fix the bottom gasket.
安装底部胶条。



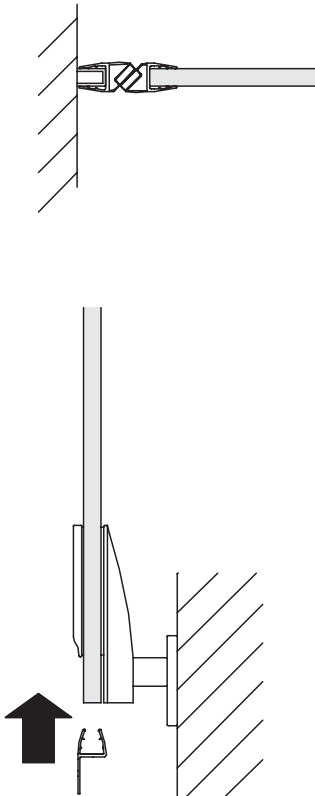
STEP
5

Install bottom frame channel and cap.
安装底边挡水铝材及端盖。



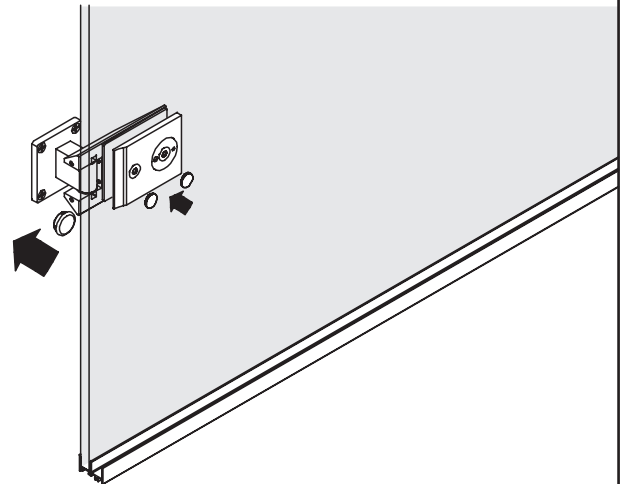
STEP
6

Fix the magnetic stripe and the gasket.
安装磁条，胶条。



STEP
7

Fix the cover caps to the hinges.
铰链及地夹安装装饰盖。

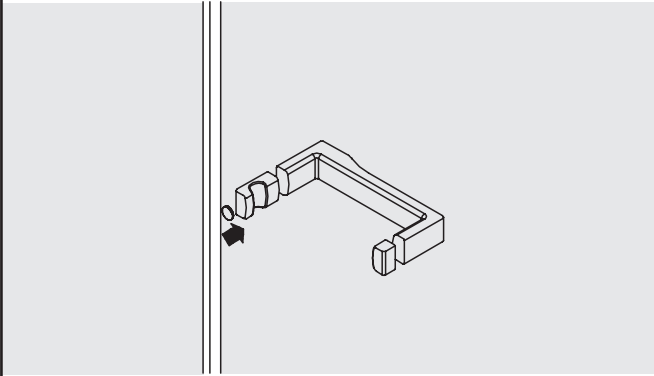


STEP
8

Affix the anchor to the inner handle.
内把手上贴防撞胶粒。

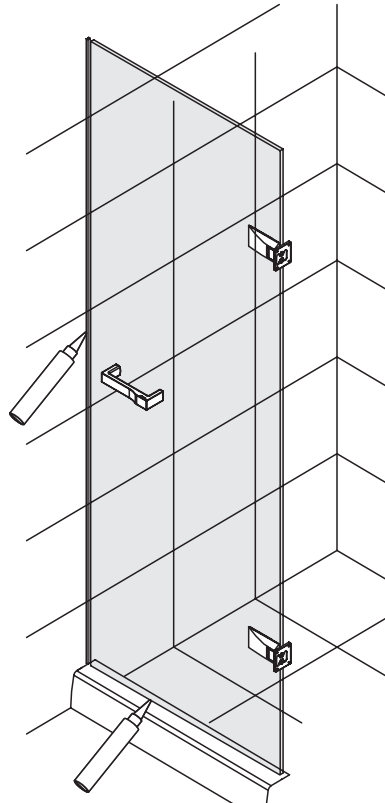


Skip this step if the door
opens outward.
外开门忽略此步骤



STEP
9

Apply the water-resistant gel to the corner of the side
jamb and the wall.
边立柱与墙面接触处打防水胶。



STEP
10

Do not use the enclosure for at least 24 hours.
安装后24小时内请勿使用淋浴房。



STEP
11