

KOHLER®

INSTALLATION INSTRUCTIONS

安装说明书

丽笙 Lison

4"Centerset Lavatory Faucet

12056T 4 寸单把手脸盆龙头

安装之前

所有的资料是按最新出版的产品资料编写而成。科勒公司保留任何时候不经通知即可改变产品特性、包装或产品可供类型的权利。说明书包括重要的安装、保养及清洁方面的内容，请把这些资料交给用户阅读。

注意事项：

1. 一定要先彻底冲洗供水管以清除管道中的杂质。
2. 如果是安装新的洗面盆，可将水龙头和排水组件先装好到面盆上。

BEFORE YOU BEGIN

All information is based on the latest product information available at the time of publication. Kohler Co. reserves the right to make changes in product characteristics, packaging, or availability at any time without notice.

Please leave these instructions for the consumer. They contain important information.

NOTES:

1. Flush the water supply pipes thoroughly to remove debris.
2. For new installations, assemble faucet and drain to lavatory before installing lavatory.

使用说明

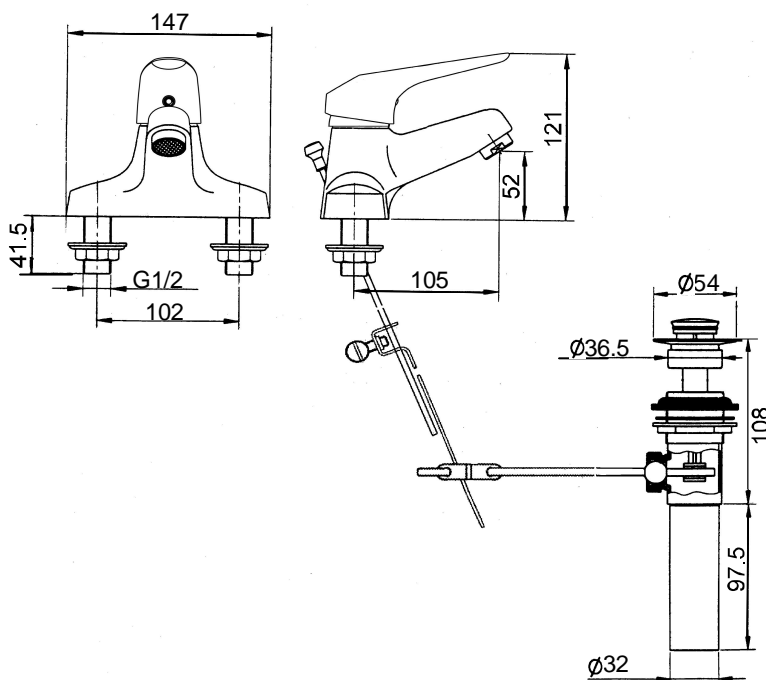
将手柄轻轻提起，向左转为热水，右转为冷水。

HANDLE OPERATION

Lift the handle gently. Turn left for hot water, right for cold water.

安装尺寸

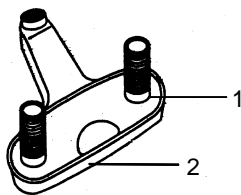
ROUGH-IN DIMENSIONS



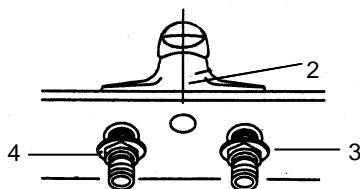
安装步骤

如何安装水龙头

在水龙头(2)的底面按图涂一圈油灰(1)。



将水龙头(2)插入洗面盆(3)的孔中并对齐。按紧水龙头不要移动,从洗面盆的下方套入垫片并拧紧固定螺母(4)。



注意: 不要过分拧紧固定螺母(4)。

INSTALLATION

How To Install The Faucet

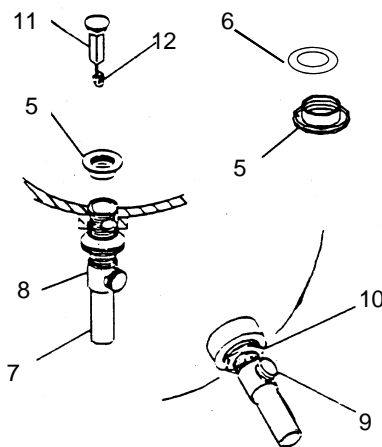
Apply a bead of plumbers putty(1) around the underside of faucet(2).

Insert faucet through top of lavatory(3). Align faucet on lavatory. Hold in position. From the underside of lavatory slide the washers and secure the faucet to lavatory by hand-tightening the nuts(4).

NOTE: Do not overtighten nuts(4).

如何安装提拉排水组件

将盘片(5)从排水本体(8)取下,在排水器盘片底部套上垫片(6),用密封胶带(生料带)在排水器尾管(7)上缠几圈,装入排水本体(8)。把排水本体从底下插入洗面盆,排水杆口(9)朝后方,把排水器盘片旋入排水本体中,从下方用手拧紧锁紧螺母(10)。



把止水塞(11)放入排水本体中,调整止水塞末端的洞口(12),使其靠近并对正排水杆的洞口。

注: 如果需要,可直接在排水器盘片(5)底面沿周围涂上一圈密封油灰,而不使用垫片(6)。

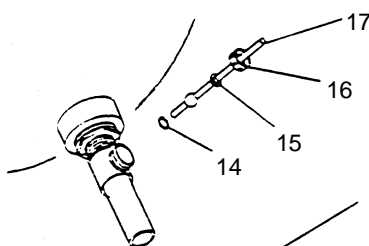
How To Install The Drain

Remove flange(5) from drain body. Slide the washer(6) onto the underside of the drain flange. Apply thread tape to tailpiece (7) and install the tailpiece to drain body (8). Insert drain body into underside of lavatory with drain lever hole(9) facing to the back of the lavatory and thread flange (5) onto drain body until handtight. Tighten the locknut(10) by hand from the underside of the fixture.

Place stopper(11) into drain body and align the flat side of stopper hole(12) with the drain lever hole.

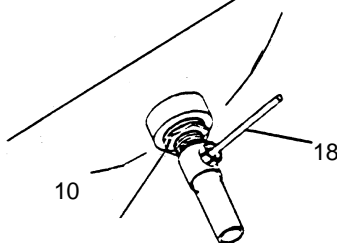
NOTE: If needed apply a ring of plumbers putty around the underside of the drain flange(5), instead of using washer(6).

将橡胶垫圈(14)装进排水杆的洞口(9)里,再把另一个塑料垫圈(15)和固定螺母(16)套进杆子长的一端(17)。把球动杆组件(18)插入排水杆的洞口中并穿过止水塞,拧紧固定螺母。



确定球动杆指向洗面盆后方,再次拧紧排水本体的锁紧螺母(10),去除多余的油灰。

注意: 在锁紧螺母旋紧后,不要再调整排水本体的位置,否则会破坏油灰密封。



Place the rubber washer(14) into the drain lever hole(9). Put another plastic washer (15) and retaining nut(16) into the long end of ball lever rod(17). Insert the ball lever assembly(18) into the drain lever hole and through the stopper hole(12), and tighten the retaining nut(16).

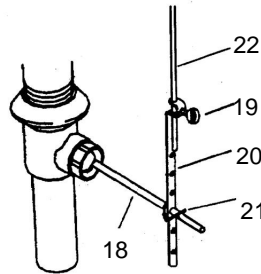
Be sure that the ball lever points to the back of the lavatory. Tighten the locknut (10) onto the drain body. Remove any excess putty.

NOTE: Do not reposition the drain after the locknut is tightened, or you may break the putty seal.

把手捻螺丝(19)装到联杆(20)中。用V形夹(21)将联杆接到球动杆(18)上,将提拉杆(22)插入水龙头及联杆的孔中,调整提拉杆的位置,使得提拉杆头的底部正好顶在水龙头的本体上。

将球动杆往下推到排水器全开的位置。

拧紧手捻螺丝。



Assemble thumb screw(19) to link(20), and link onto ball lever rod(18) with "V"-clip(21). Slide lift rod(22) through hole in faucet and into the hole in link. Position the lift rod so bottom of the lift rod knob rests against the faucet body.

Push the ball lever down into the open position.

Tighten thumb screw.

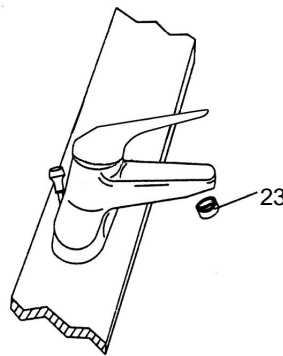
安装结果检查

检查并确保所有的衔接处都已拧紧。

确保手柄在“关”的位置。

打开排水系统和主要供水源,检查并修理有漏水的接口。

将起泡器(23)拆下,打开水龙头的冷热水,让水流出一分钟以清除杂质。冲洗起泡器,在关闭水龙头后,重新装回起泡器。



INSTALLATION CHECKOUT

Ensure that all connections are tight.

Ensure that the handle is in the off position.

Open the drain. Turn on main water supply and check for leaks. Repair as required.

Remove aerator assembly(23). Turn the faucet handle on and run hot and cold water through spout for about a minute to remove any debris. Remove any debris from aerator assembly. Shut faucet off and reinstall aerator assembly.

清理说明

适用于所有加工处理过的表面:以中性肥皂水清洗镀层表面,再以干净的软布彻底擦干整个表面,许多清洁剂,比如氨水、去污粉及洁厕灵等,会对电镀表面造成伤害,切忌使用。

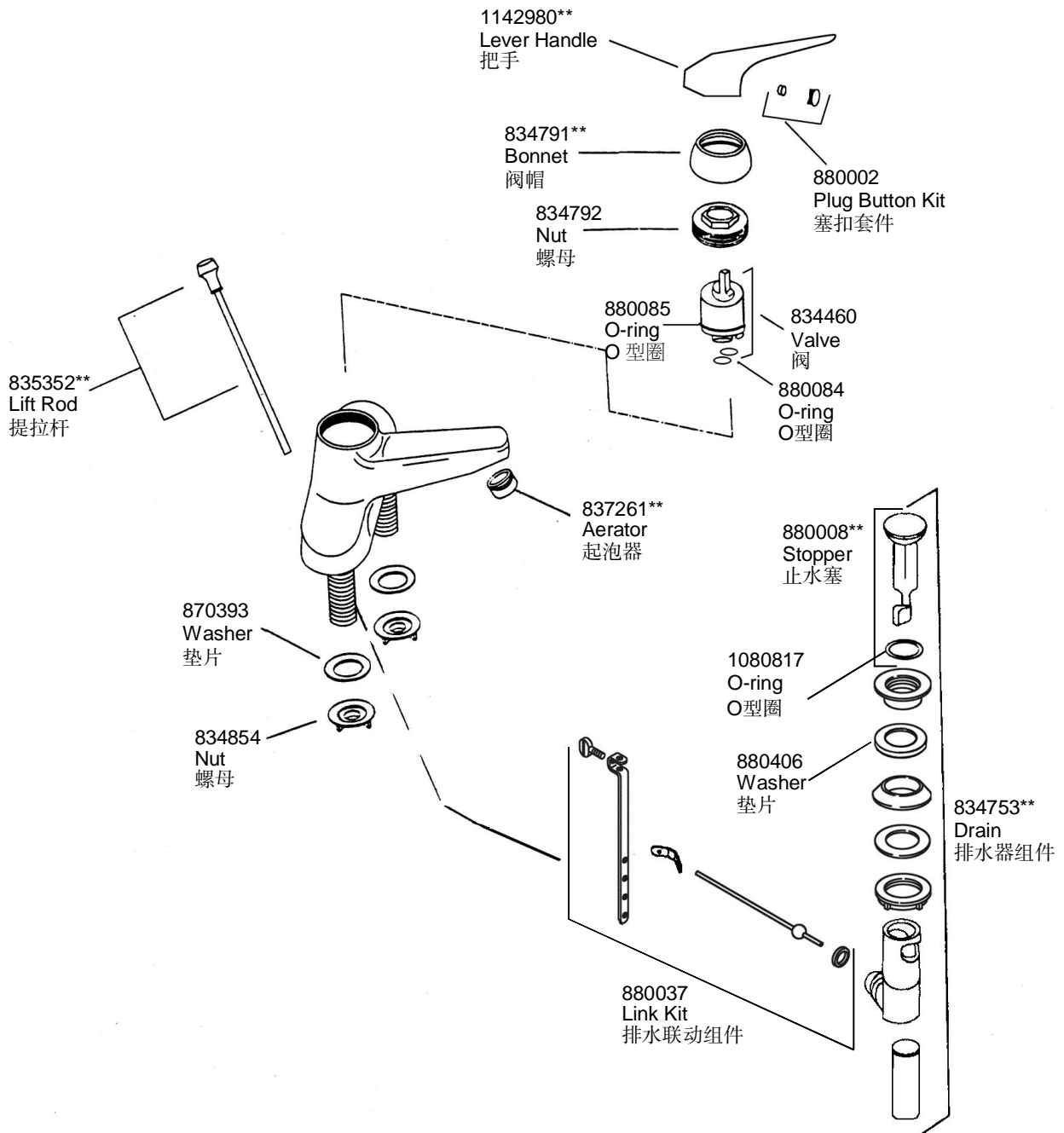
有磨损性的清洁用具或清洁剂也不可适用于科勒牌的水龙头及其配件上。

CLEANING INSTRUCTIONS

All Finishes: Clean the finish with a mild soap and warm water. Wipe entire surface completely dry with a clean soft cloth. Many cleaners may contain chemicals, such as ammonia, chlorine, toilet cleaner etc. which could adversely affect the finish and are not recommended for cleaning.

Do not use abrasive cleaners or solvents on Kohler faucets and fittings.

12056T 4寸单把手脸盆龙头



**订购时请说明颜色编号

**Color code must be specified when ordering