

BEFORE YOU BEGIN

开始之前

- Congratulation on your purchase of this high quality Bathroom Accessory. Before proceeding with the installation, please carefully read this installation instruction in order to ensure proper care and assembly of this accessory.
- Please keep this installation instruction for future reference.



Prior to drilling into walls, check there are no hidden electrical wires, cables or water supply pipes with the aid of an electronic detector. If you use power tools do not forget:

1. Wear eye protection.
2. Unplug equipment after use.

- 首先恭喜您购买到了高档的卫浴产品，为了使您正确保护和组装产品，在您安装之前请仔细阅读此说明书。
- 请保留此说明书以备参考。

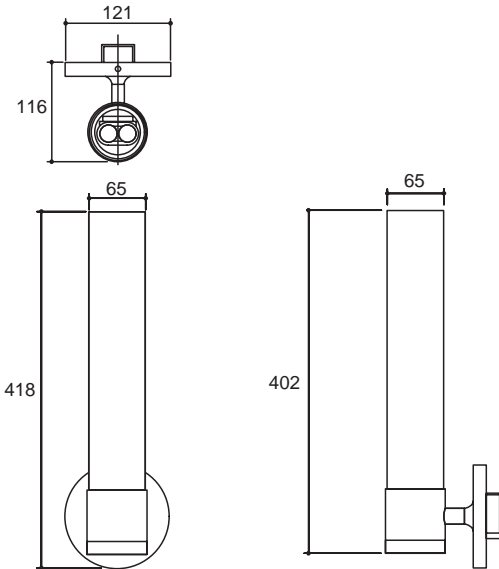


警示：在钻孔之前，请借助电子探测仪确认墙内是否有电源线，通讯光缆或者水管之类的东西。如果使用电钻的话请勿忘记以下两点：

1. 请戴上防护镜。
2. 用完设备后关掉电源。

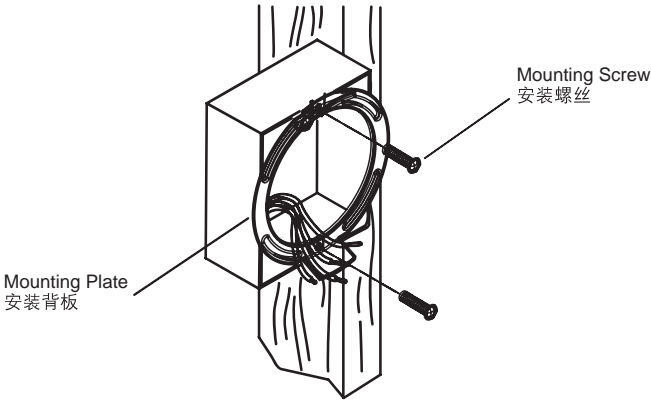
ROUGHING-IN

尺寸图



UNIT : mm
单位：毫米

科勒(中国)投资有限公司
上海市闸北区江场三路158号 邮编：200436



Determine Sconce Height

确定壁灯安装高度

Determine the proper height of the sconce, which is dependent upon the height of the user.

依据使用者的身高，确定壁灯的合适安装高度。

Recommended Sconce Height 建议壁灯安装高度	Height of User 使用者身高	Center of Mounting Plate to Floor 安装背板中心距离地面高度
	1.5m	127cm
	1.7m	133.4cm
	1.8m	139.7cm
	2.0m	148.6cm

Locate the outlet box based on the selected sconce height.

依据确定的壁灯高度确认电源盒位置。

Install the Mounting Plate

安装安装背板

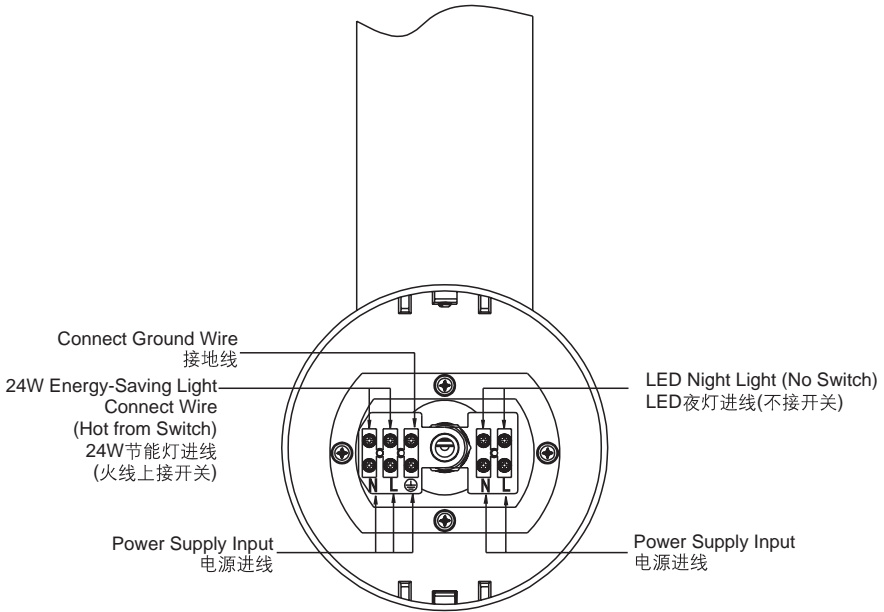
⚠ DANGER: Risk of personal injury. To avoid possible electrical shock, the electricity must be turned off at the circuit breaker or fuse box before attempting any installation procedure.

⚠ 注意危险：防止安装过程中受伤。为了预防潜在的触电危险，在任何安装步骤之前，必须切断断路器或保险丝盒电源。

- If you have not already done so, turn off the electricity at the circuit breaker or fuse box.
- Carefully pull the wiring out from the outlet box and allow the wires to hang down.
- Place the flat side of the mounting plate flat against the outlet box.
- Align the mounting holes on the mounting plate with the holes on the outlet box.
- Securely tighten the mounting plate to outlet box with the mounting screws.

- 如果您还未进行此项操作，请立即切断断路器或保险丝盒电源。
- 小心将电源盒中的电线拉出，使电线散挂在外。
- 将安装背板的平整面正对电源盒。
- 将安装背板上的安装孔与电源盒上的安装孔对齐。
- 使用安装螺丝将安装背板安全固定于电源盒上。

CONNECT THE ELECTRICAL WIRES 连接电线



Fixture 接线座	Outlet 电源电线
⊕	Ground 地线
N	Neutral 零线
L	Hot 火线

⚠ DANGER: Risk of personal Injury. To avoid possible electrical shock, the outlet box must be properly grounded.

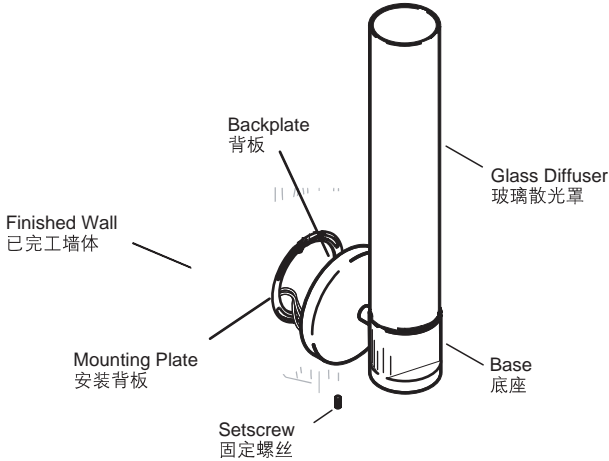
⚠ 注意危险: 防止安装过程中受伤。为了预防潜在的触电危险，电源盒必须有效接地。

NOTE: There is only one ground wire for the entire wall sconce.

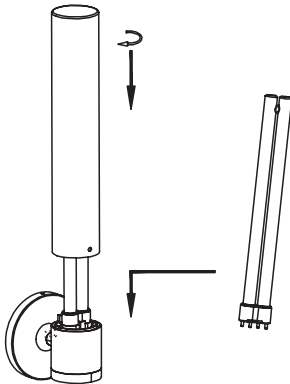
注意：整个壁灯只有一根接地线。

NOTE: The fixture must be wired to a switch. The night light must be wired directly to power.

注意：灯座必须与开关以电线相连，夜灯必须直接与电源以电线相连。



- Being careful not to bend or kink the connected wires, place the backplate flush against the finished wall.
- Using the hex wrench provided, secure the base to the mounting plate with a setscrew.
- Insert the bulb into the base.
- Position the glass diffuser on the base.
- Turn on the electricity at the circuit breaker or fuse box.
- Check for proper operation.
- 将背板与已完工墙体紧贴安装，注意不要弯曲或扭结连接的电线。
- 使用提供的六角扳手，用固定螺丝将底座固定于安装背板上。
- 将光源装入底座。
- 将玻璃散光罩安装于底座上。
- 打开断路器或保险丝的主电源。
- 检查进行适当操作。



Bulb type choosing:

Type: 4 pin PLH energy-saving bulb

Watt: 24W

Shape: inserting-tube/single H 4 pin

Lamp holder: 2G11

光源型号选择:

类型: 4针 PLH电子式节能灯

功率: 24W

形状: 插拔管/单H 4针

灯头: 2G11